

This Owner's Manual is provided and hosted by [Appliance Factory Parts](http://ApplianceFactoryParts.com).

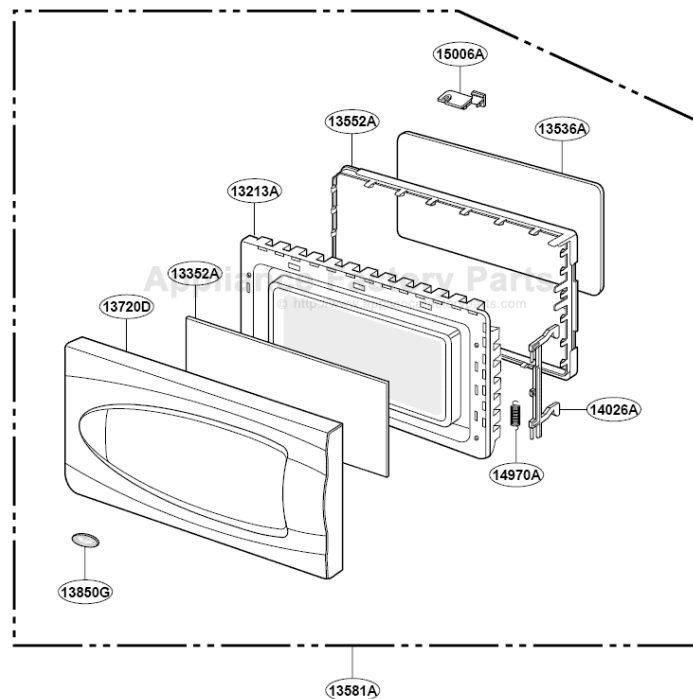


# WHIRLPOOL MT3105SHQ Owner's Manual

[Shop genuine replacement parts for WHIRLPOOL  
MT3105SHQ](#)

## DOOR PARTS

MT3105SH



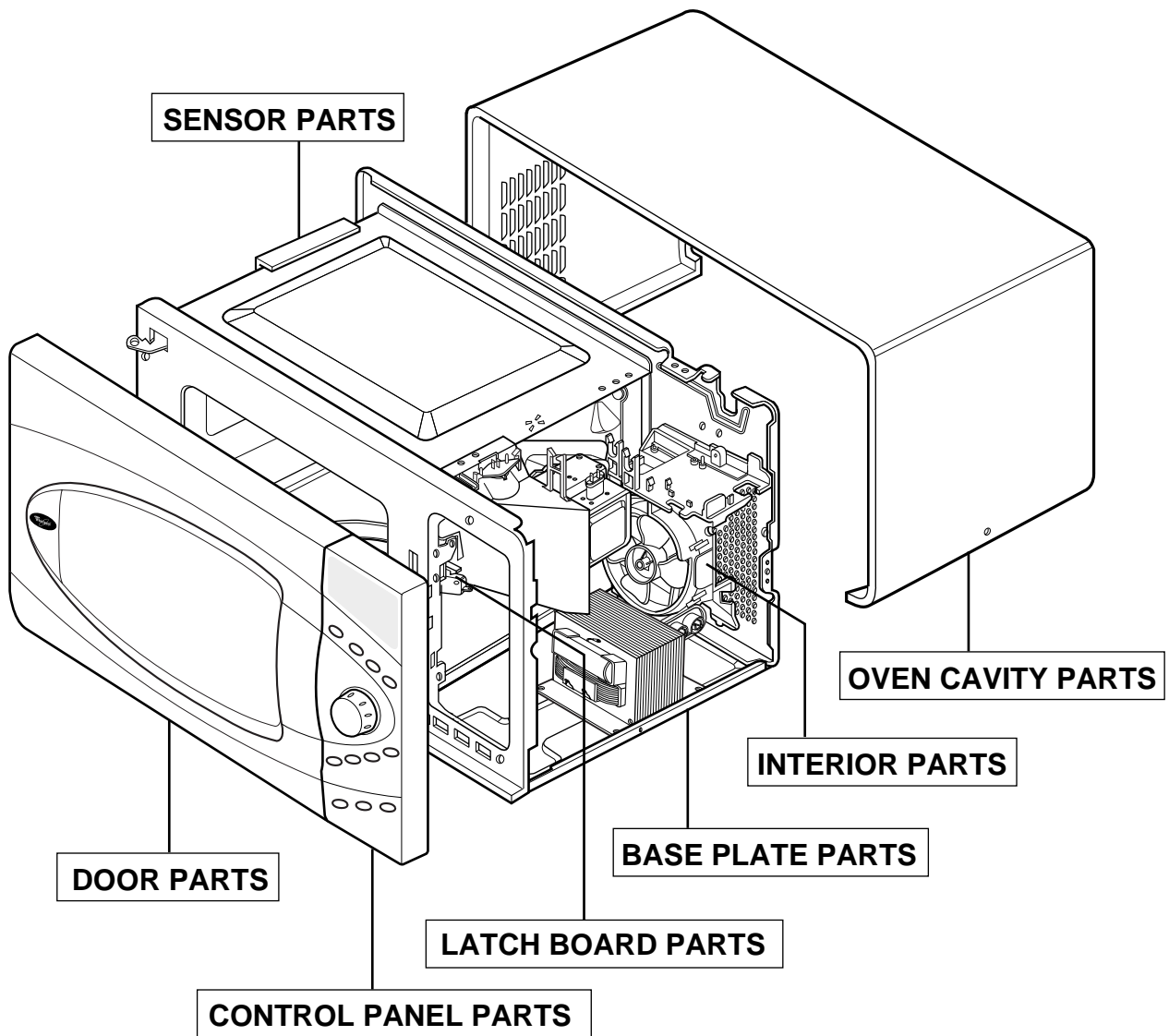
[Find Your WHIRLPOOL Microwave Parts - Select From 1350 Models](#)

----- Manual continues below -----

# EXPLODED VIEW

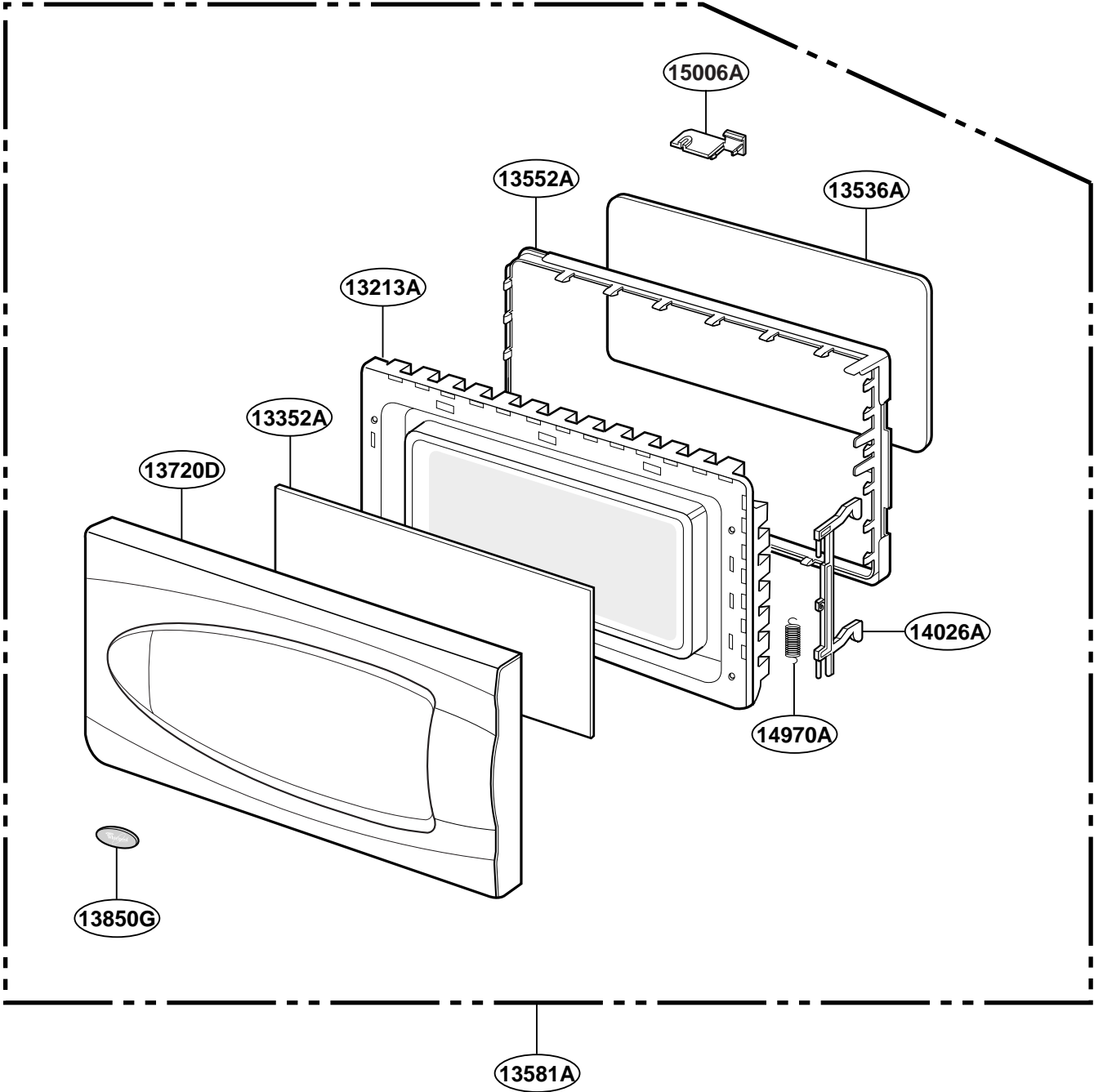
## INTRODUCTION

MT3105SH



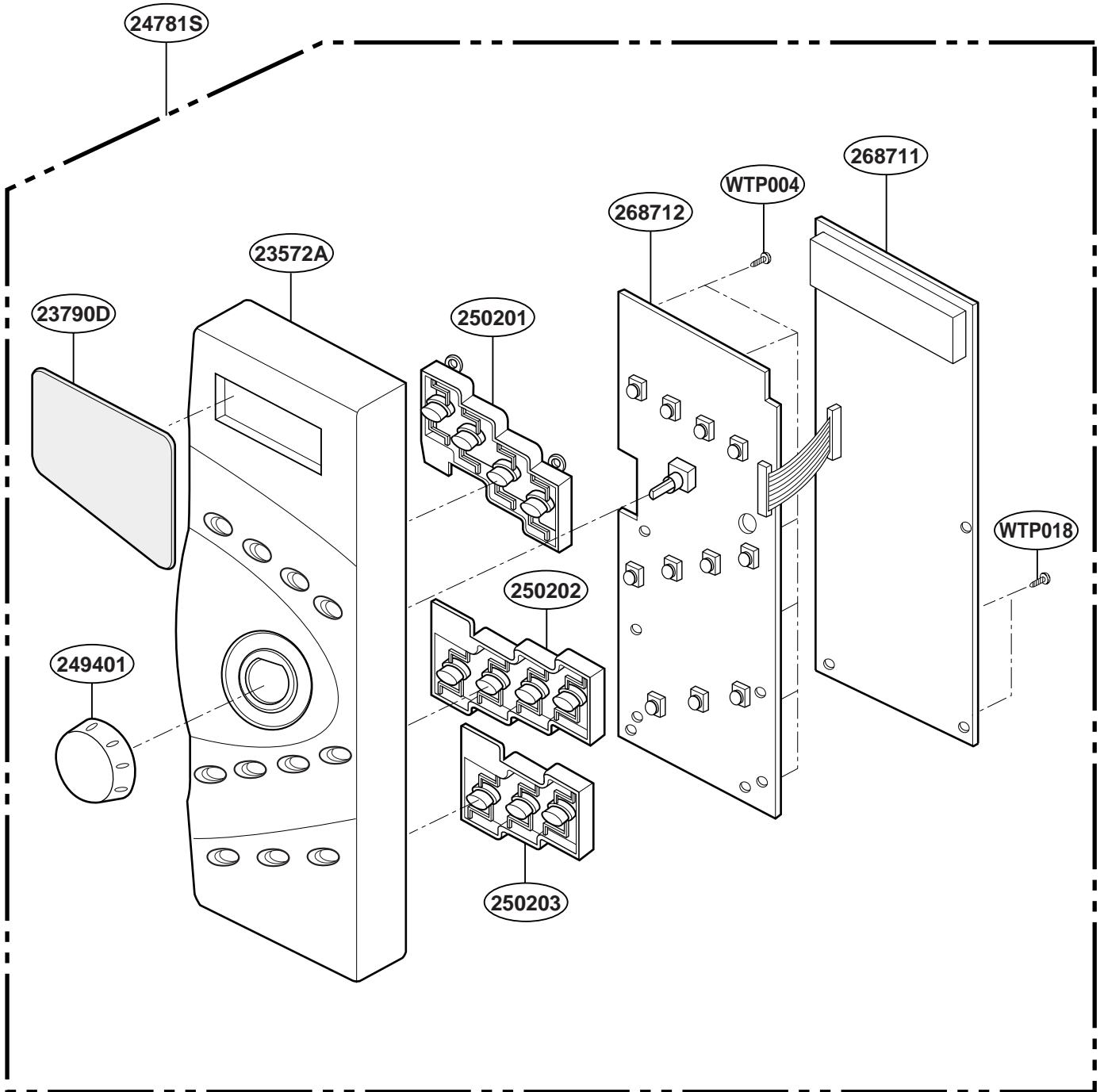
# DOOR PARTS

MT3105SH



# CONTROL PANEL PARTS

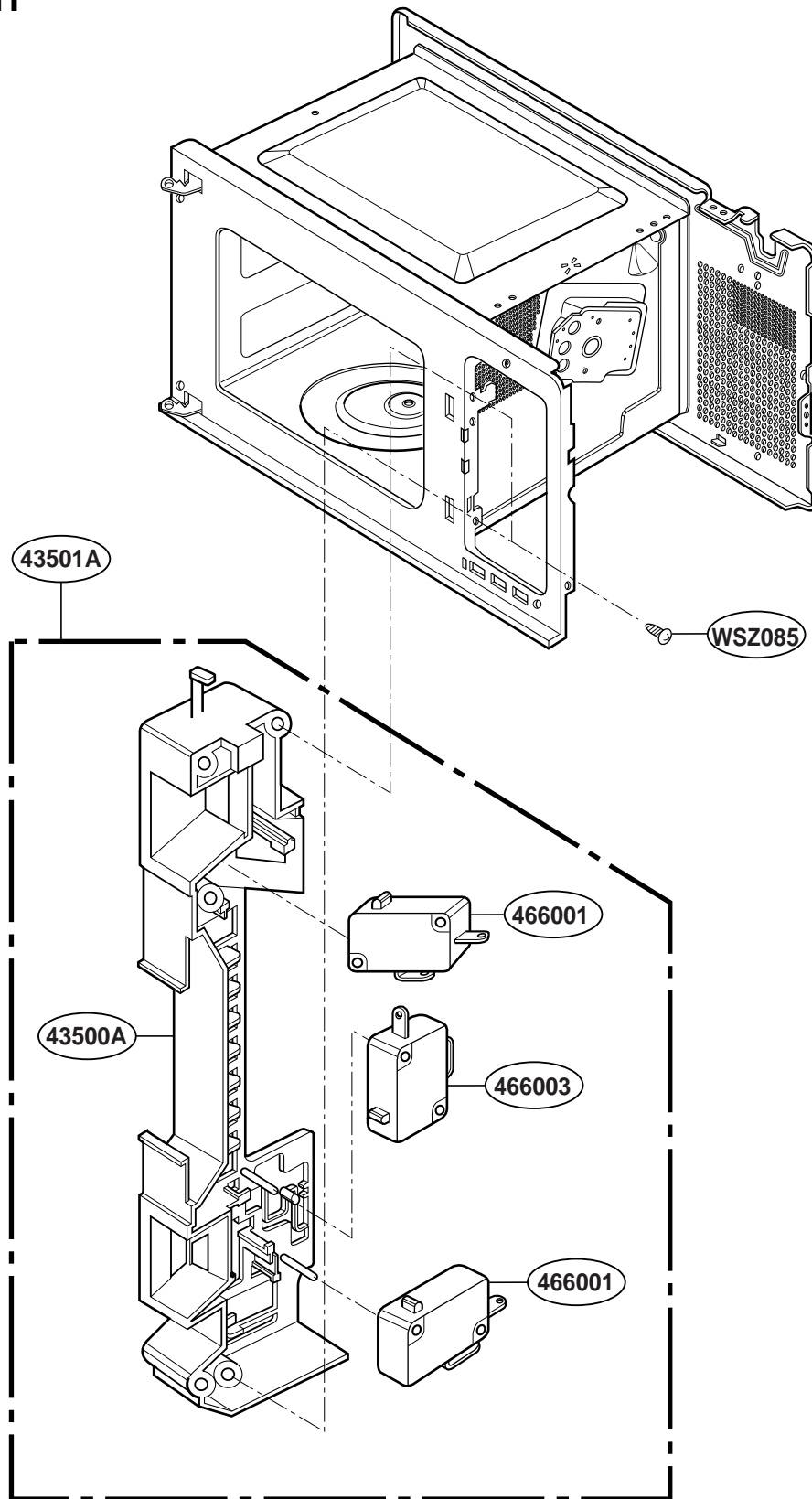
MT3105SH





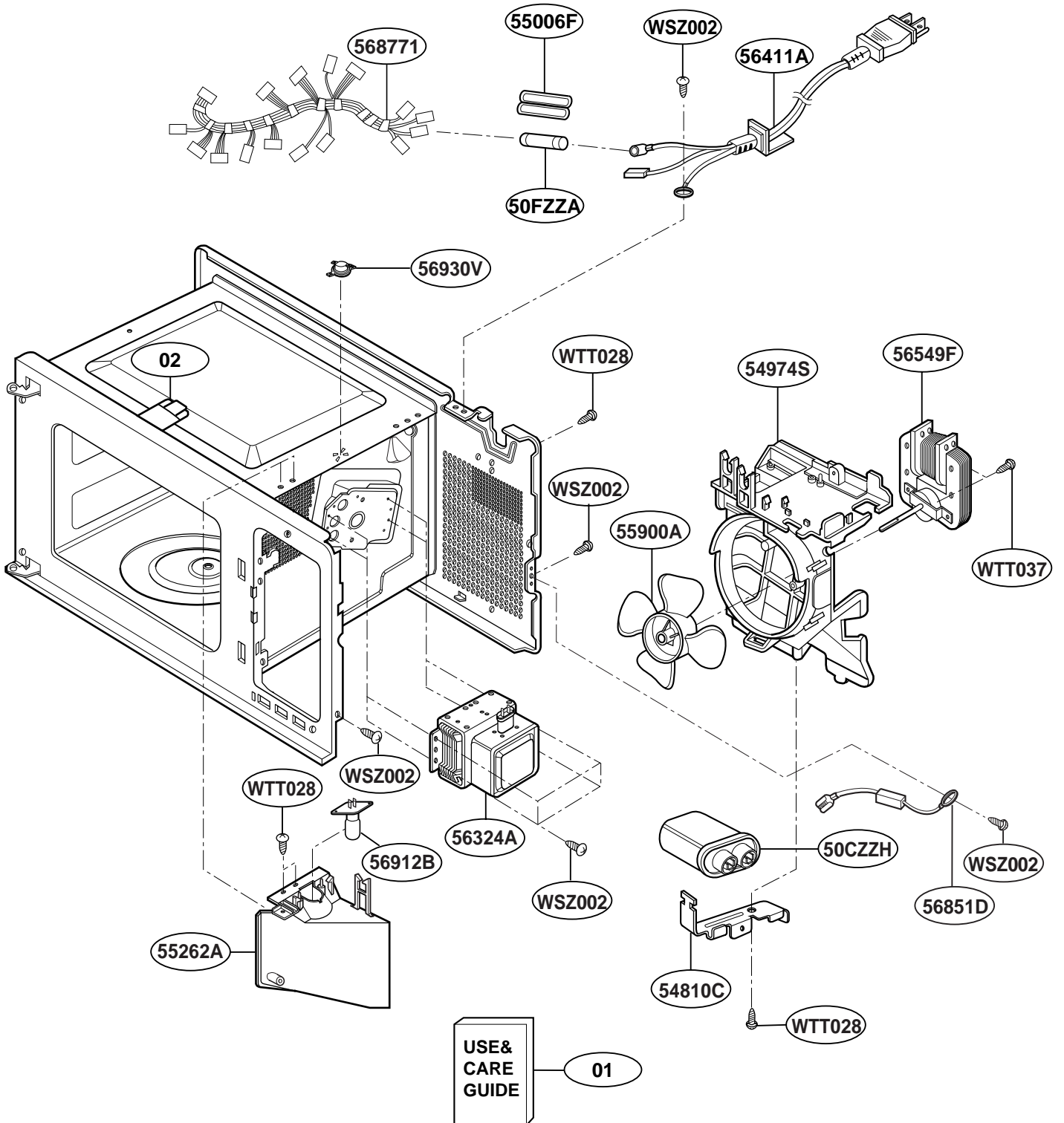
# LATCH BOARD PARTS

MT3105SH

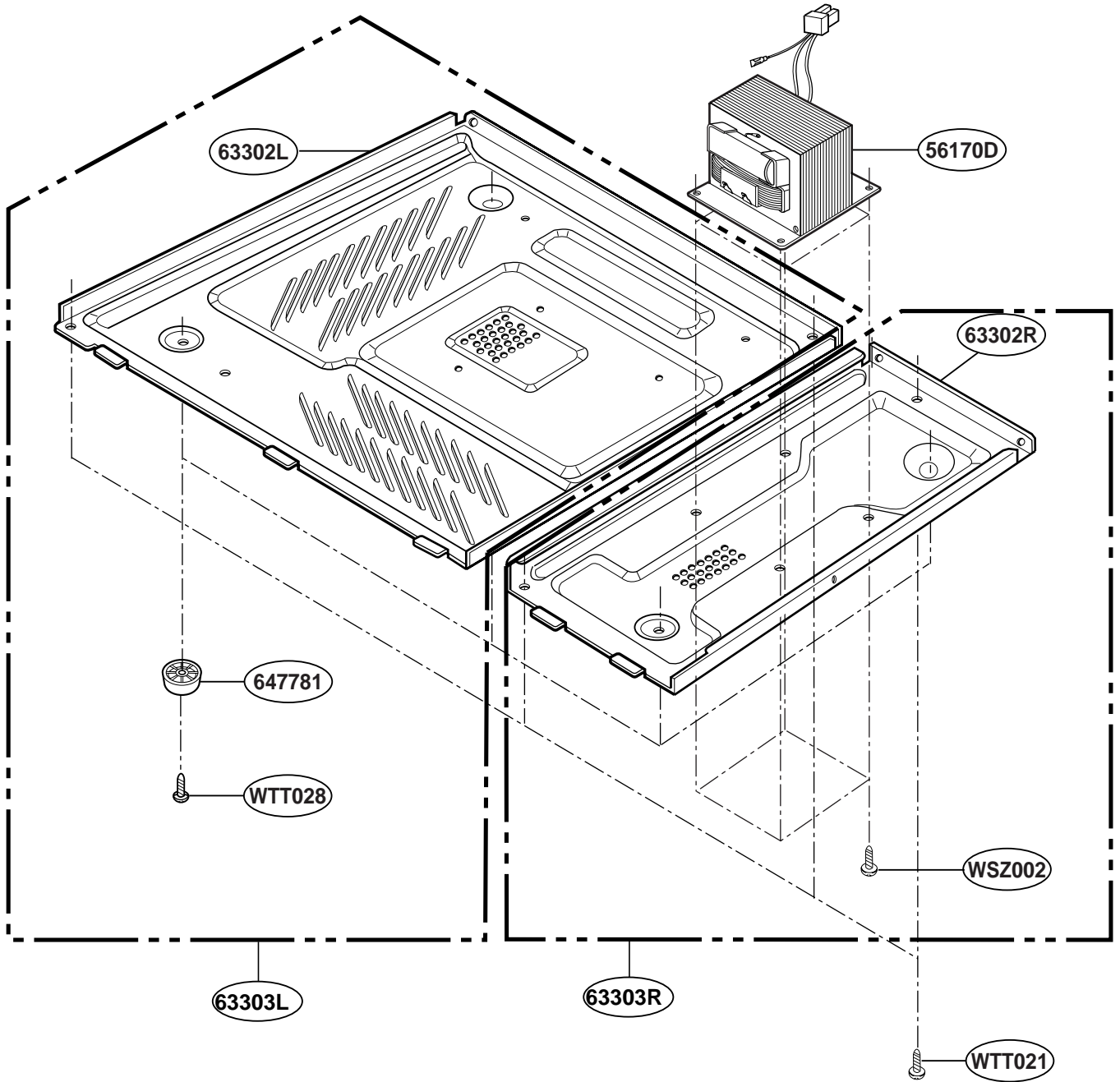


# INTERIOR PARTS

## MT3105SH



# BASE PLATE PARTS



# SENSOR PARTS

MT3105SH

