

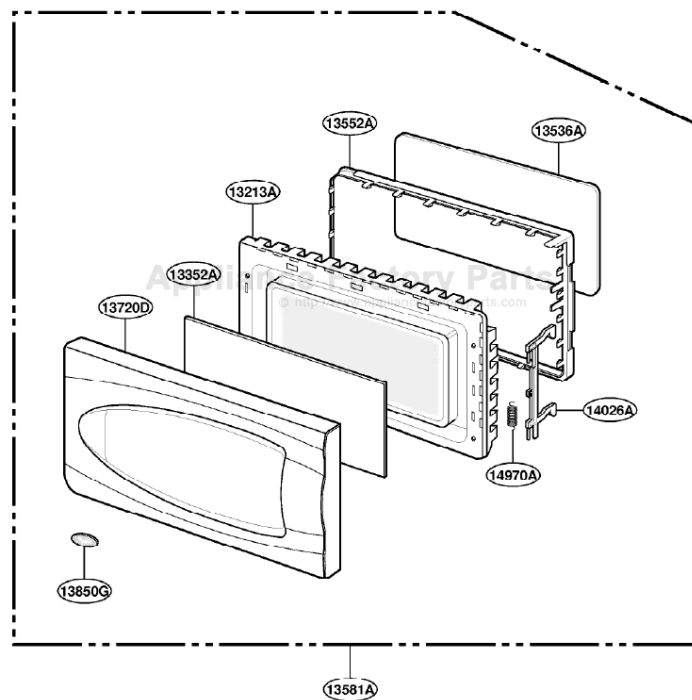
This Owner's Manual is provided and hosted by [Appliance Factory Parts](http://ApplianceFactoryParts.com).



# WHIRLPOOL MT3185SHB Owner's Manual

[Shop genuine replacement parts for WHIRLPOOL  
MT3185SHB](#)

## DOOR PARTS MT3185SH



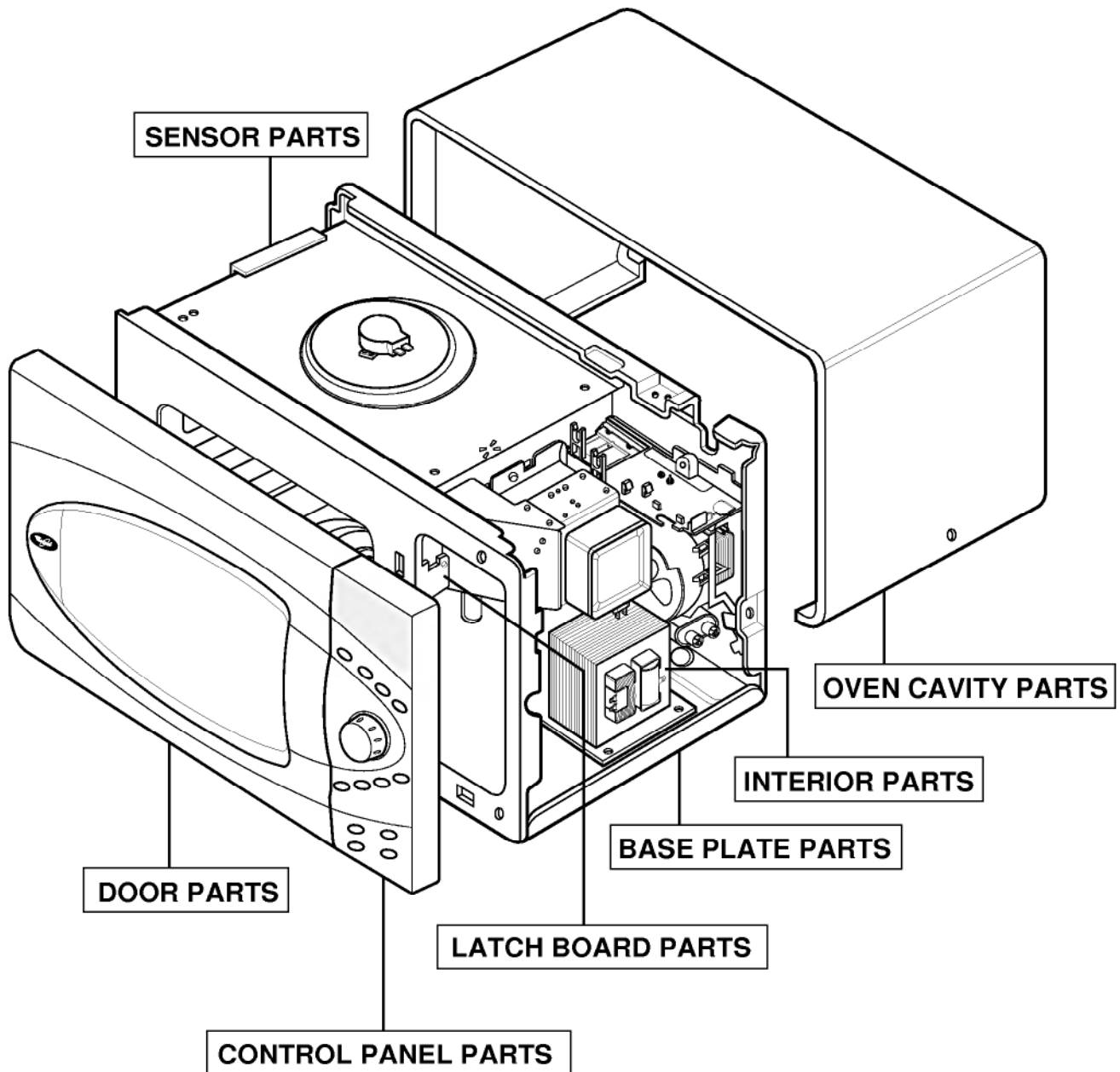
[Find Your WHIRLPOOL Microwave Parts - Select From 1350 Models](#)

----- Manual continues below -----

# EXPLODED VIEW

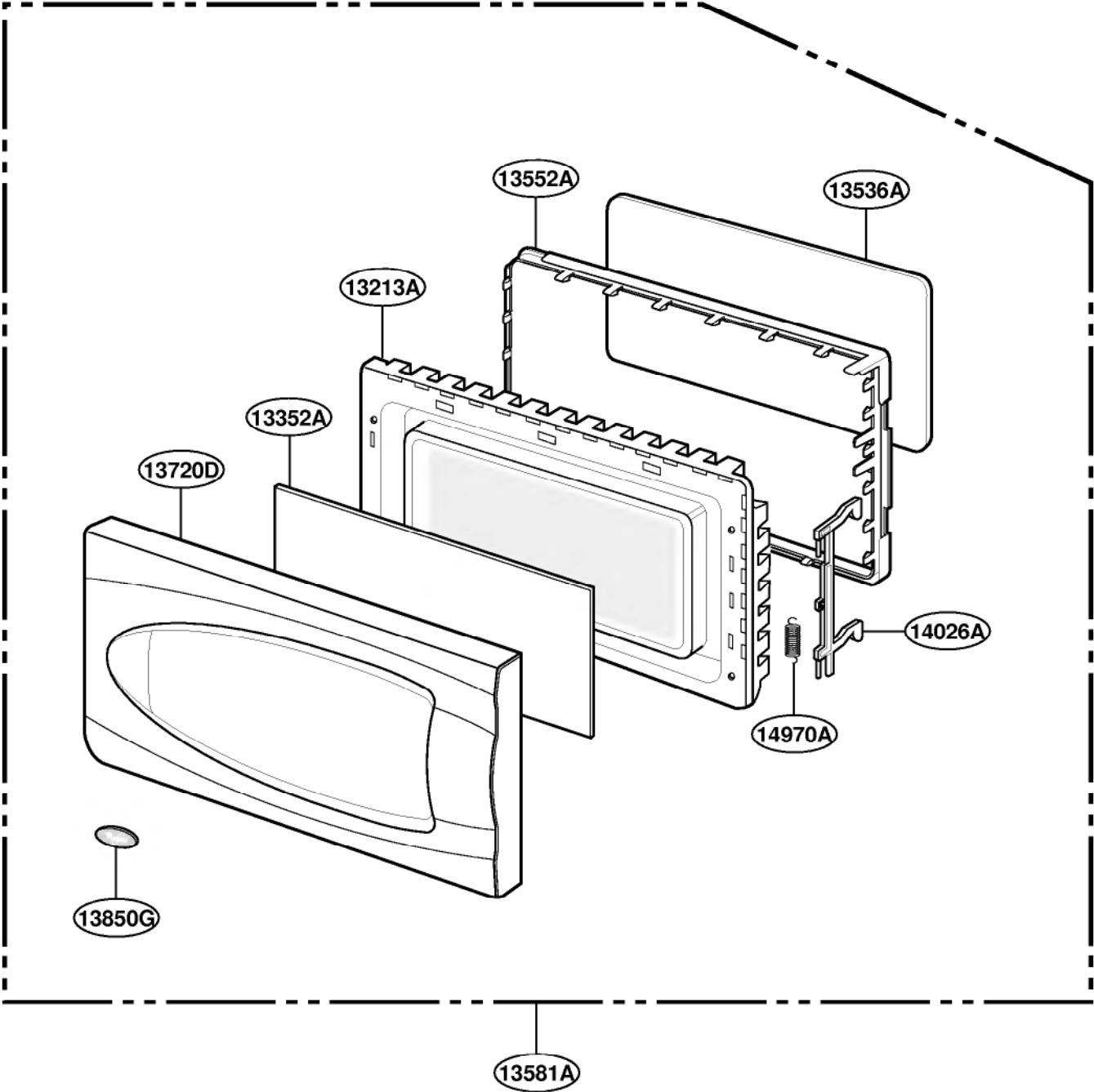
## INTRODUCTION

MT3185SH



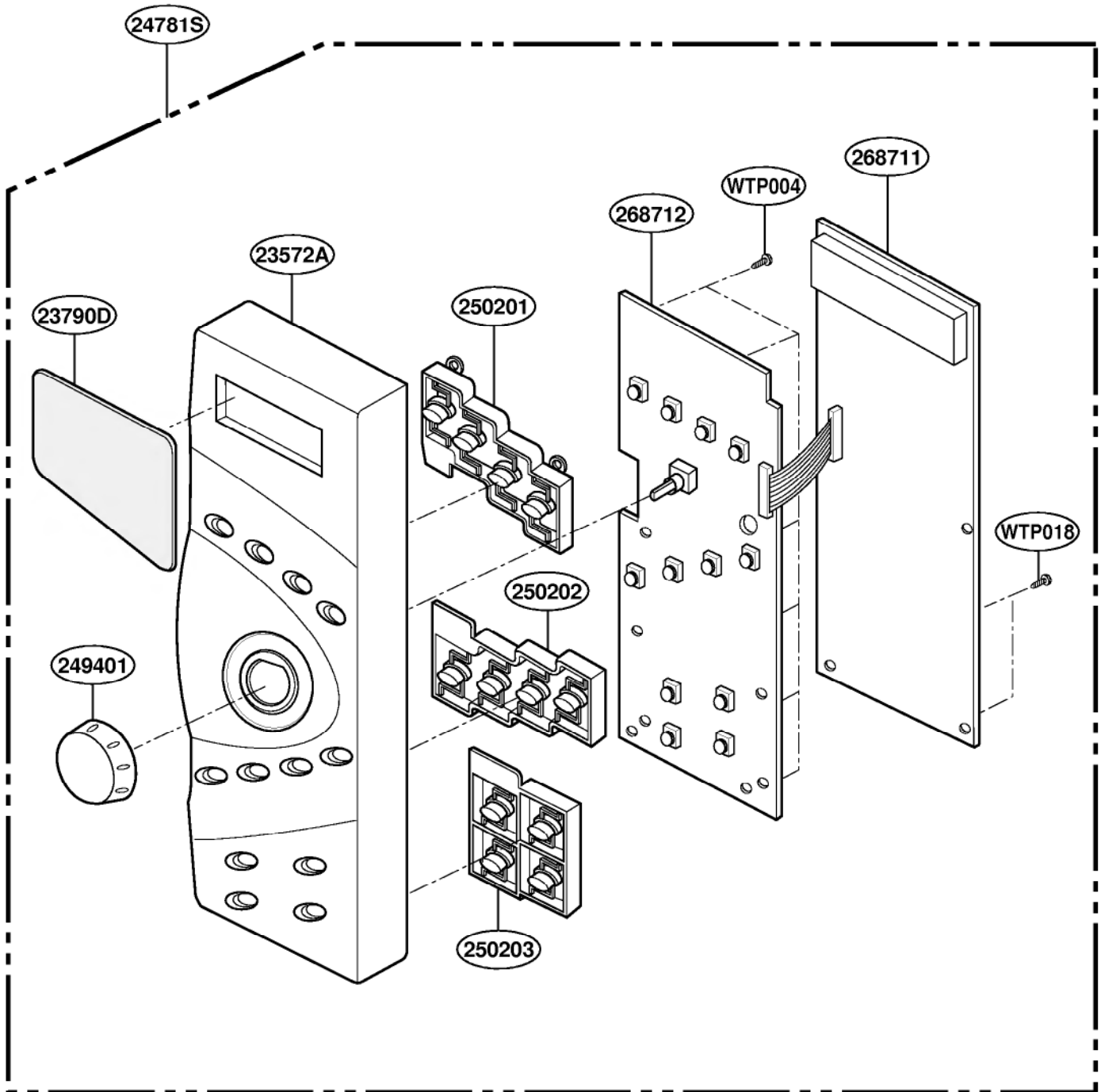
# DOOR PARTS

MT3185SH



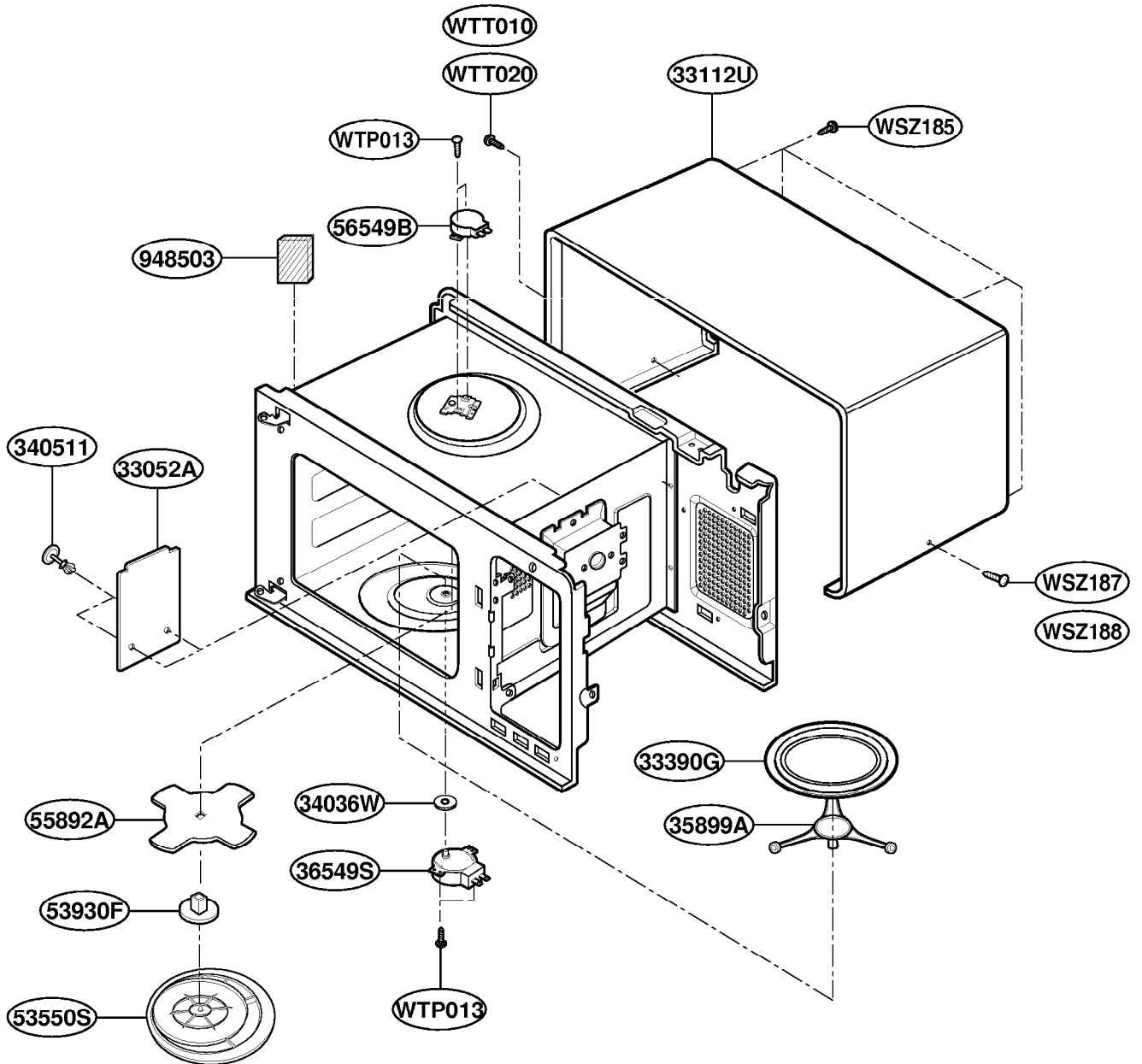
# CONTROL PANEL PARTS

MT3185SH



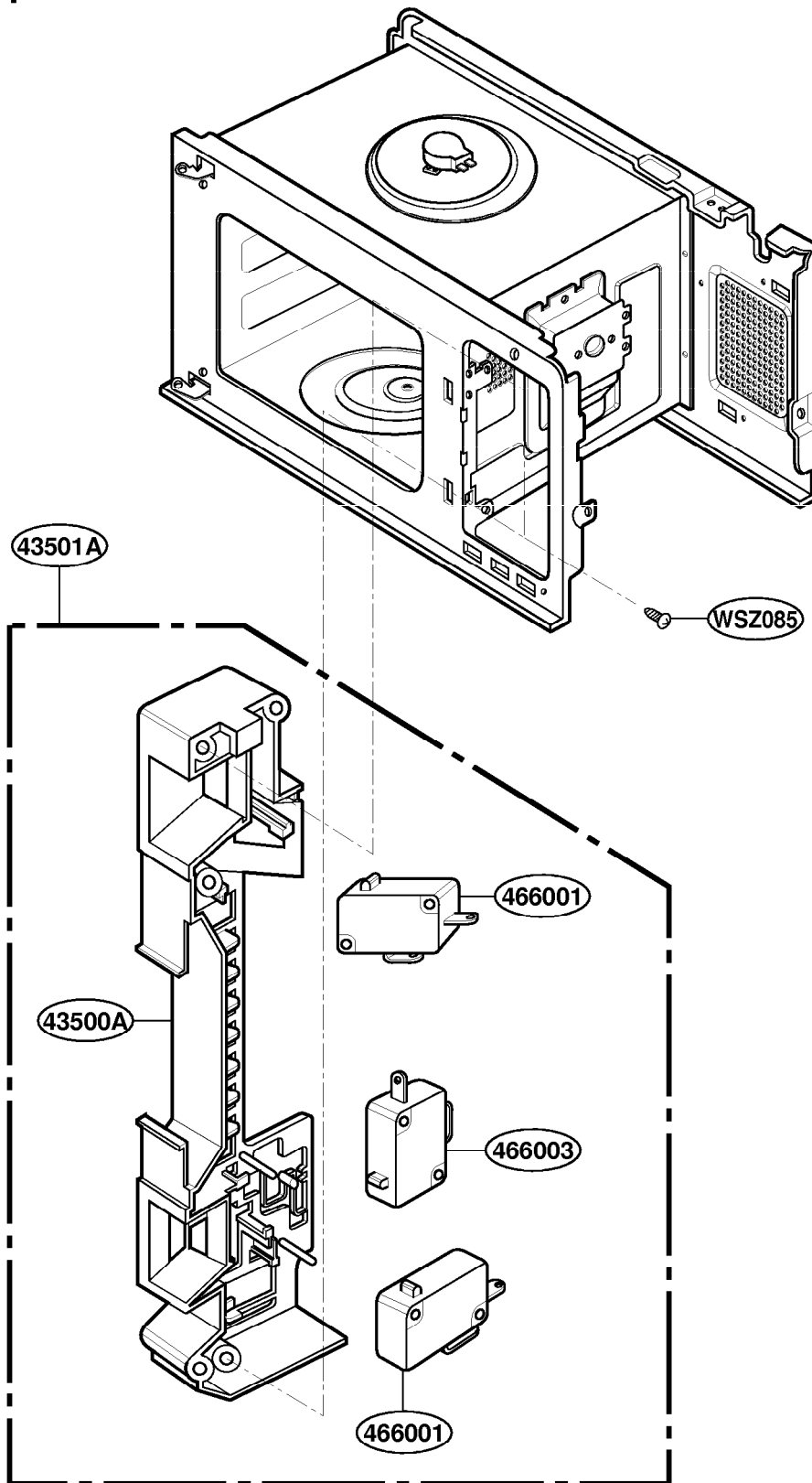
# OVEN CAVITY PARTS

MT3185SH



# LATCH BOARD PARTS

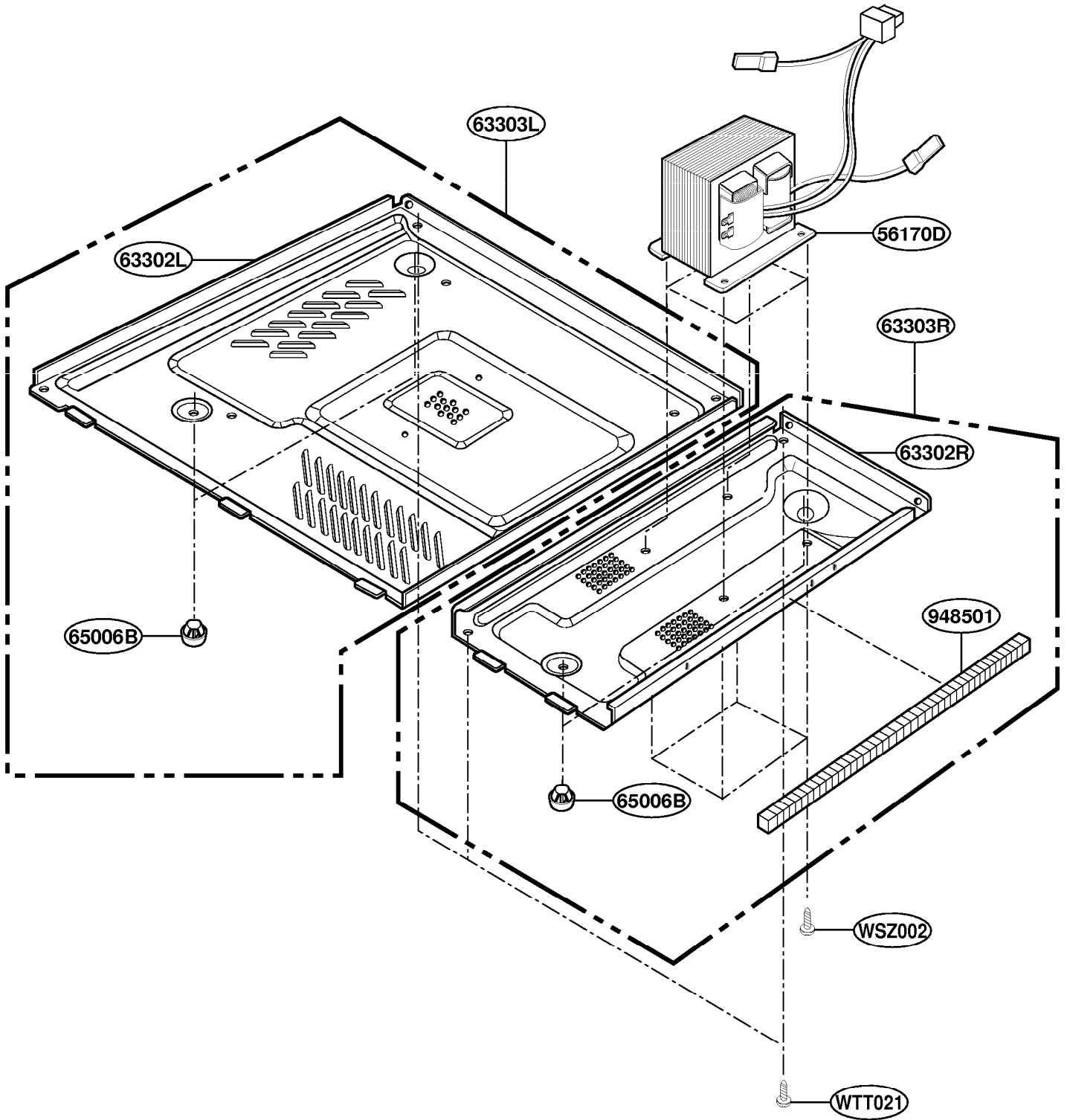
MT3185SH





# BASE PLATE PARTS

MT3185SH



# SENSOR PARTS

MT3185SH

