

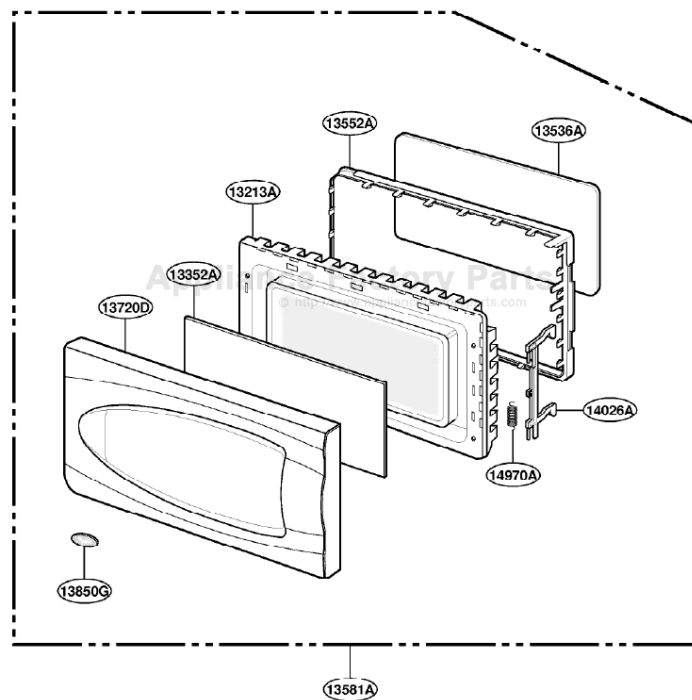
This Owner's Manual is provided and hosted by [Appliance Factory Parts](http://ApplianceFactoryParts.com).



WHIRLPOOL MT3185SHQ Owner's Manual

[Shop genuine replacement parts for WHIRLPOOL
MT3185SHQ](#)

DOOR PARTS MT3185SH



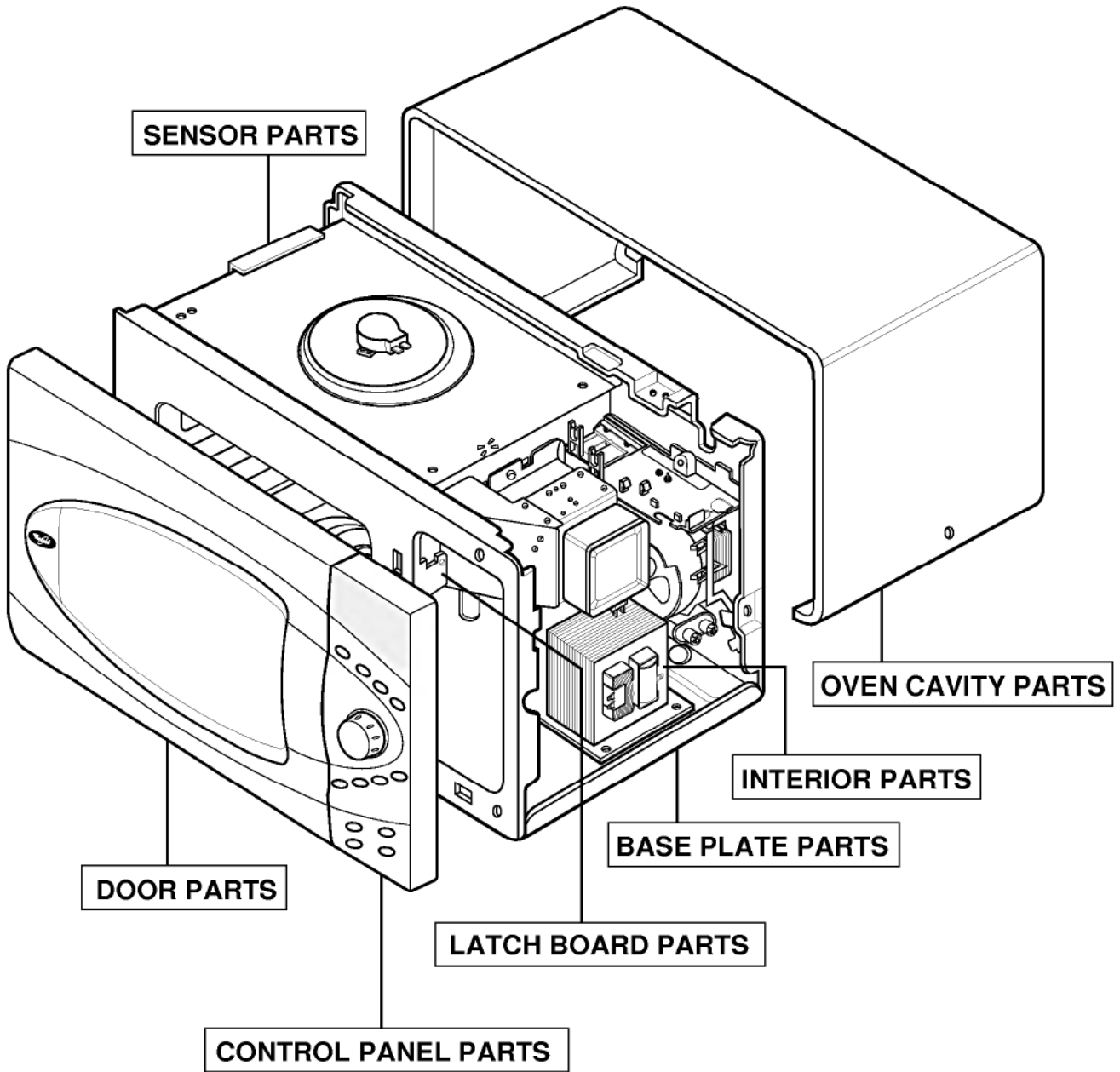
[Find Your WHIRLPOOL Microwave Parts - Select From 1350 Models](#)

----- Manual continues below -----

EXPLODED VIEW

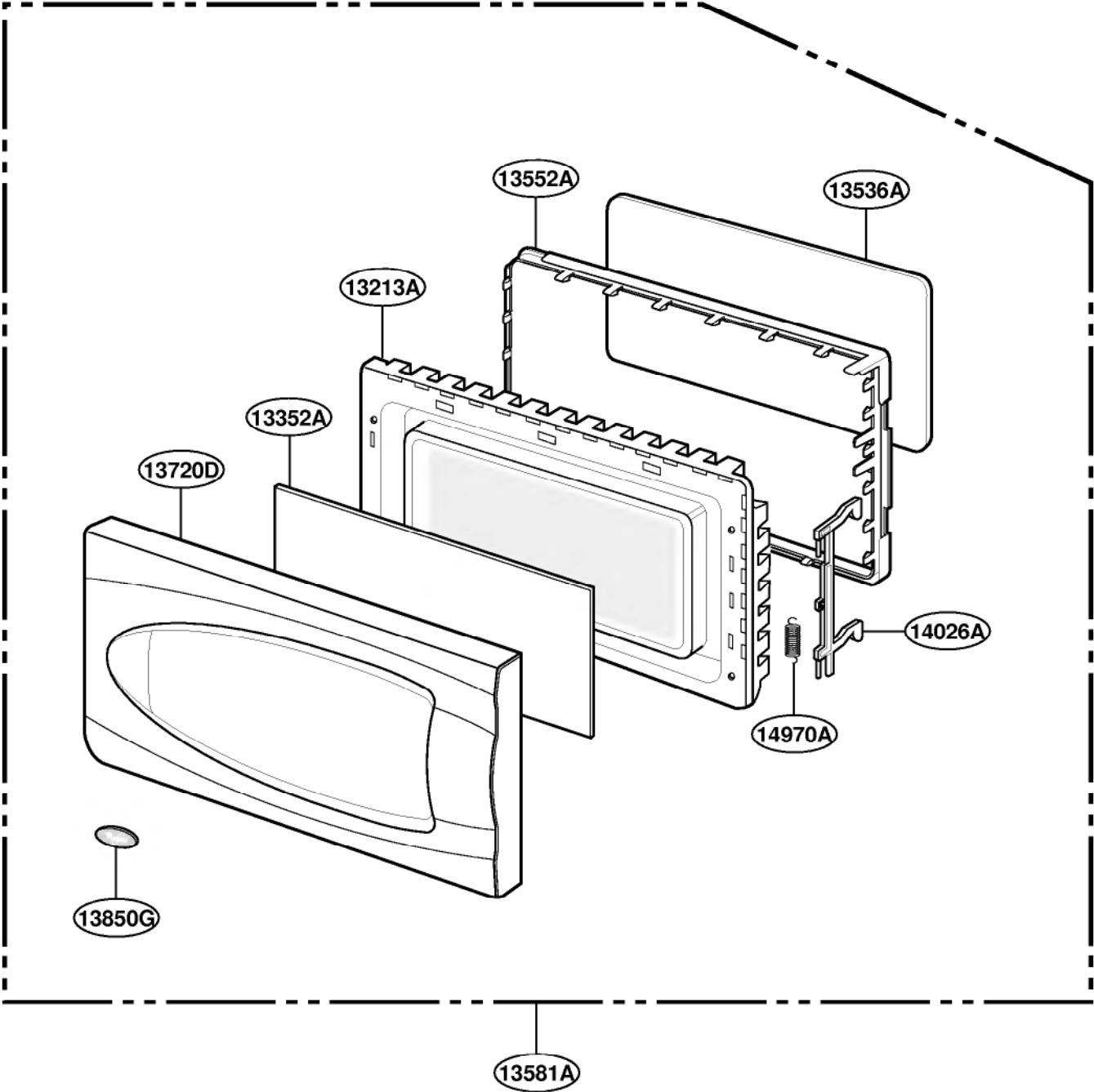
INTRODUCTION

MT3185SH



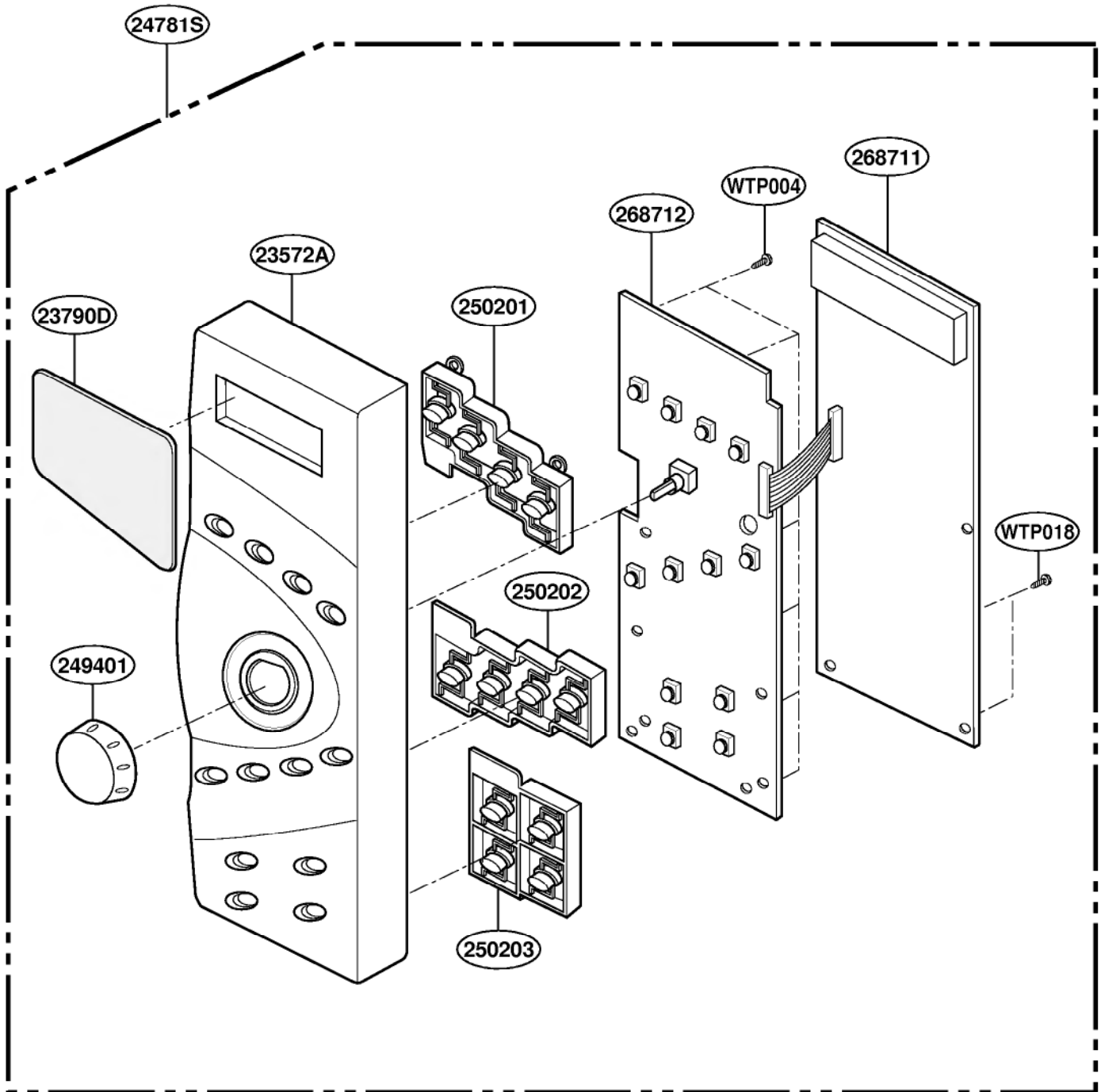
DOOR PARTS

MT3185SH



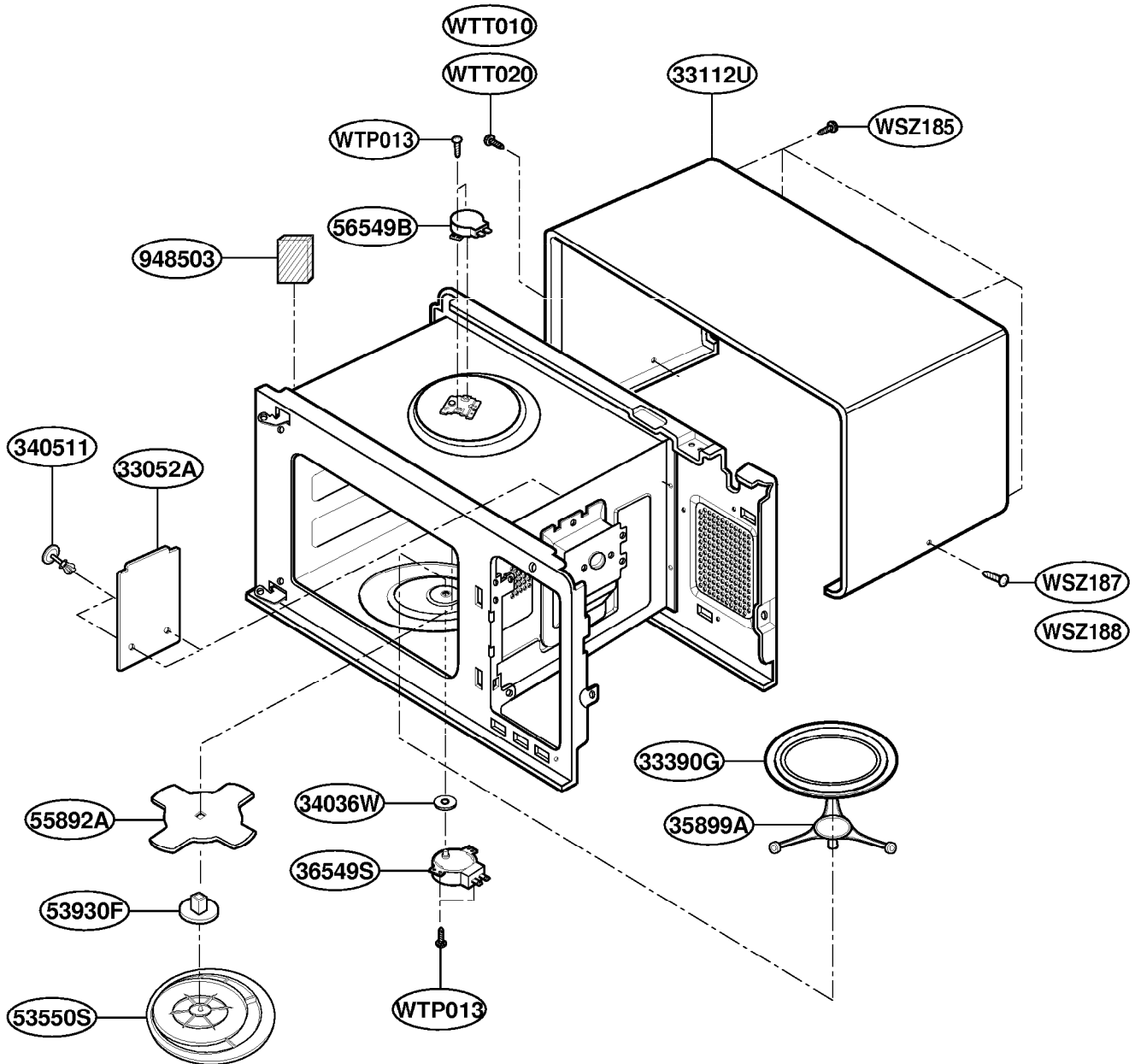
CONTROL PANEL PARTS

MT3185SH



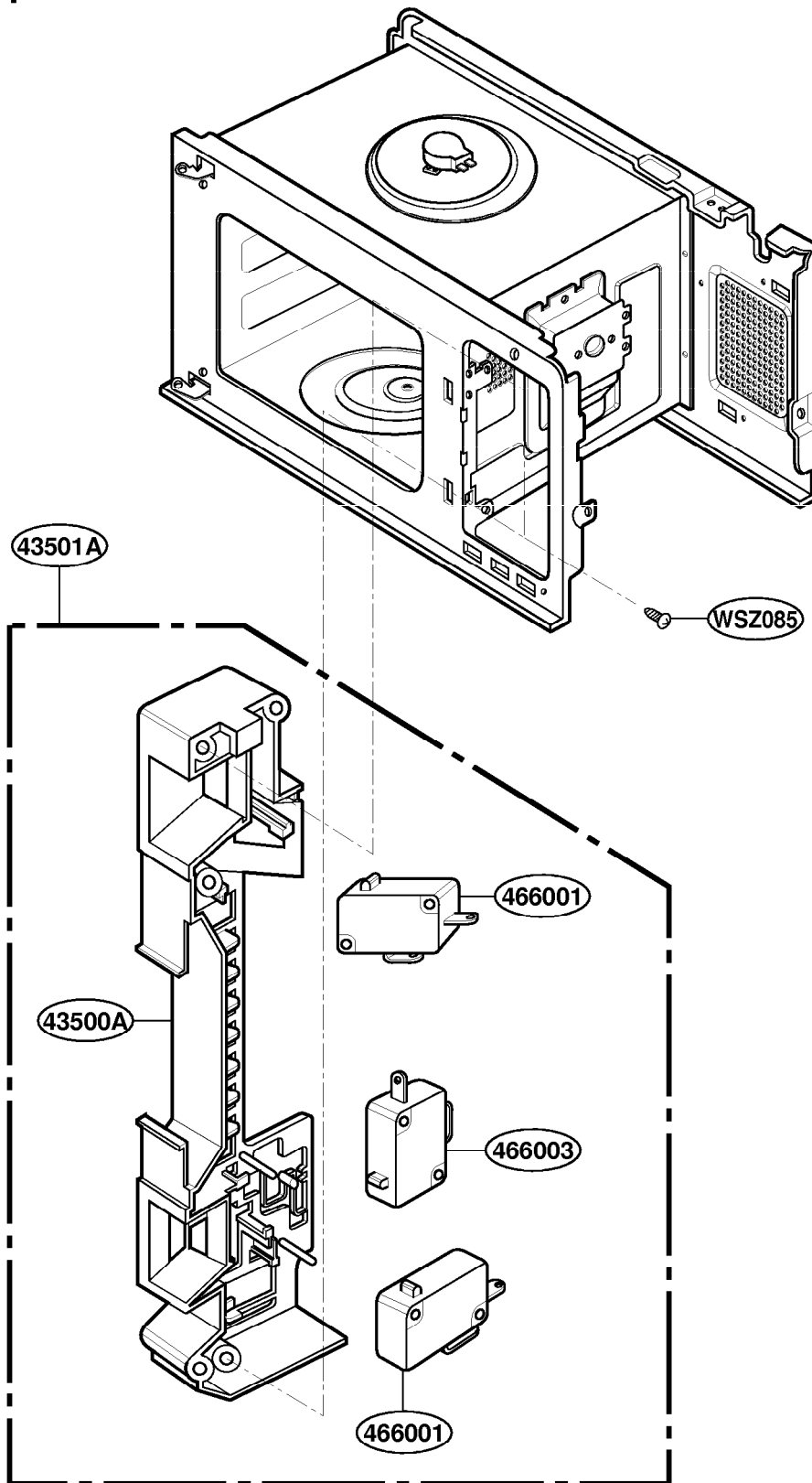
OVEN CAVITY PARTS

MT3185SH



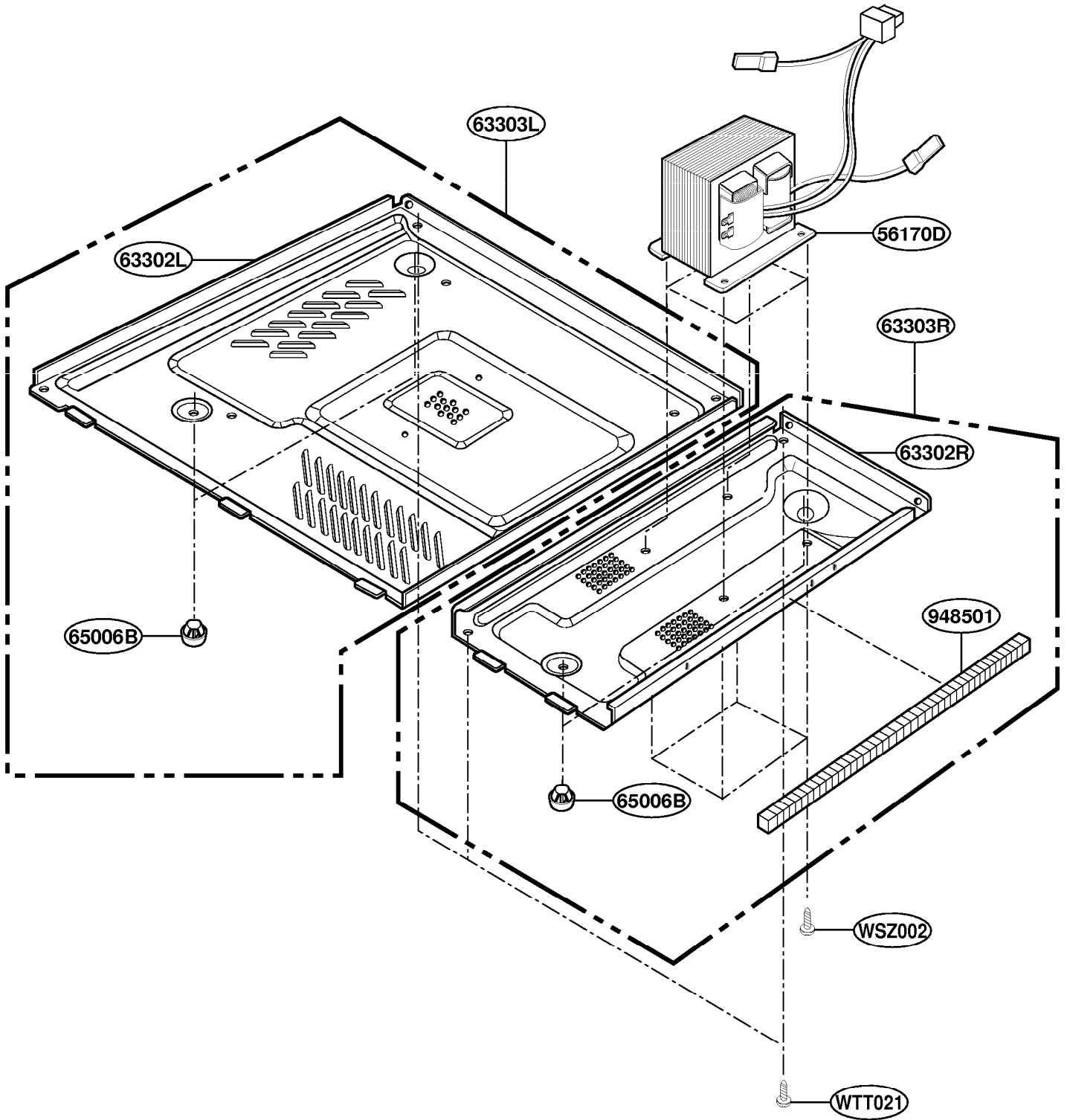
LATCH BOARD PARTS

MT3185SH



BASE PLATE PARTS

MT3185SH



SENSOR PARTS

MT3185SH

