

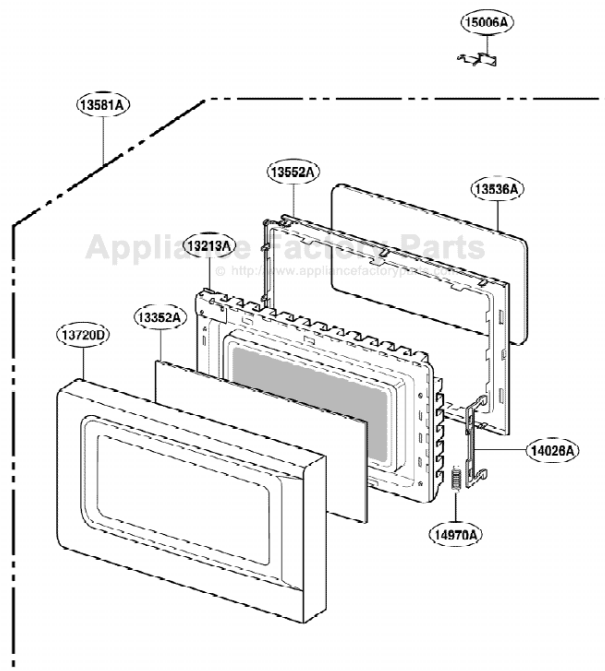
This Owner's Manual is provided and hosted by [Appliance Factory Parts](http://www.appliancefactoryparts.com).



# WHIRLPOOL MT4110SKB-2 Owner's Manual

[Shop genuine replacement parts for WHIRLPOOL  
MT4110SKB-2](#)

## DOOR PARTS



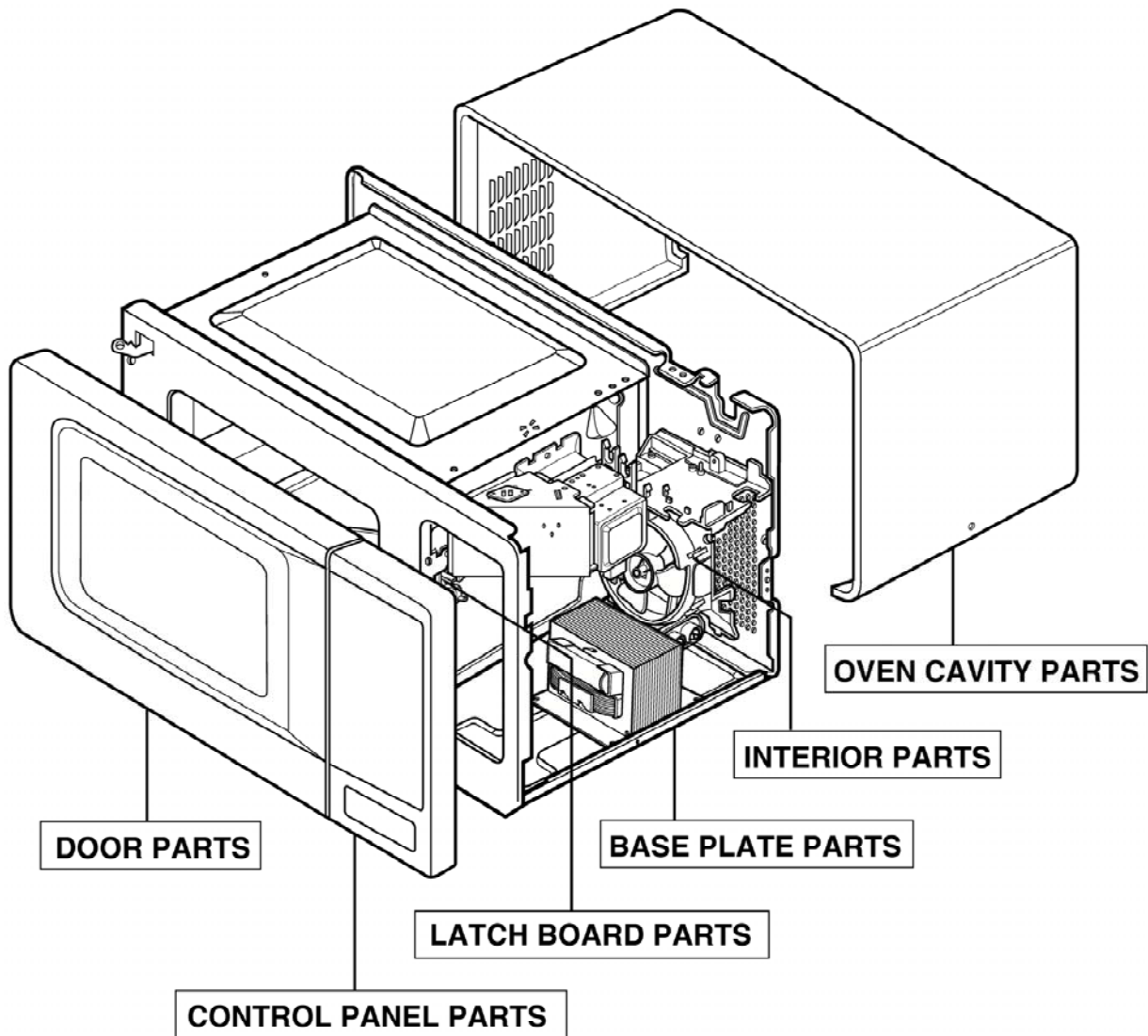
[Find Your WHIRLPOOL Microwave Parts - Select From 1350 Models](#)

----- Manual continues below -----

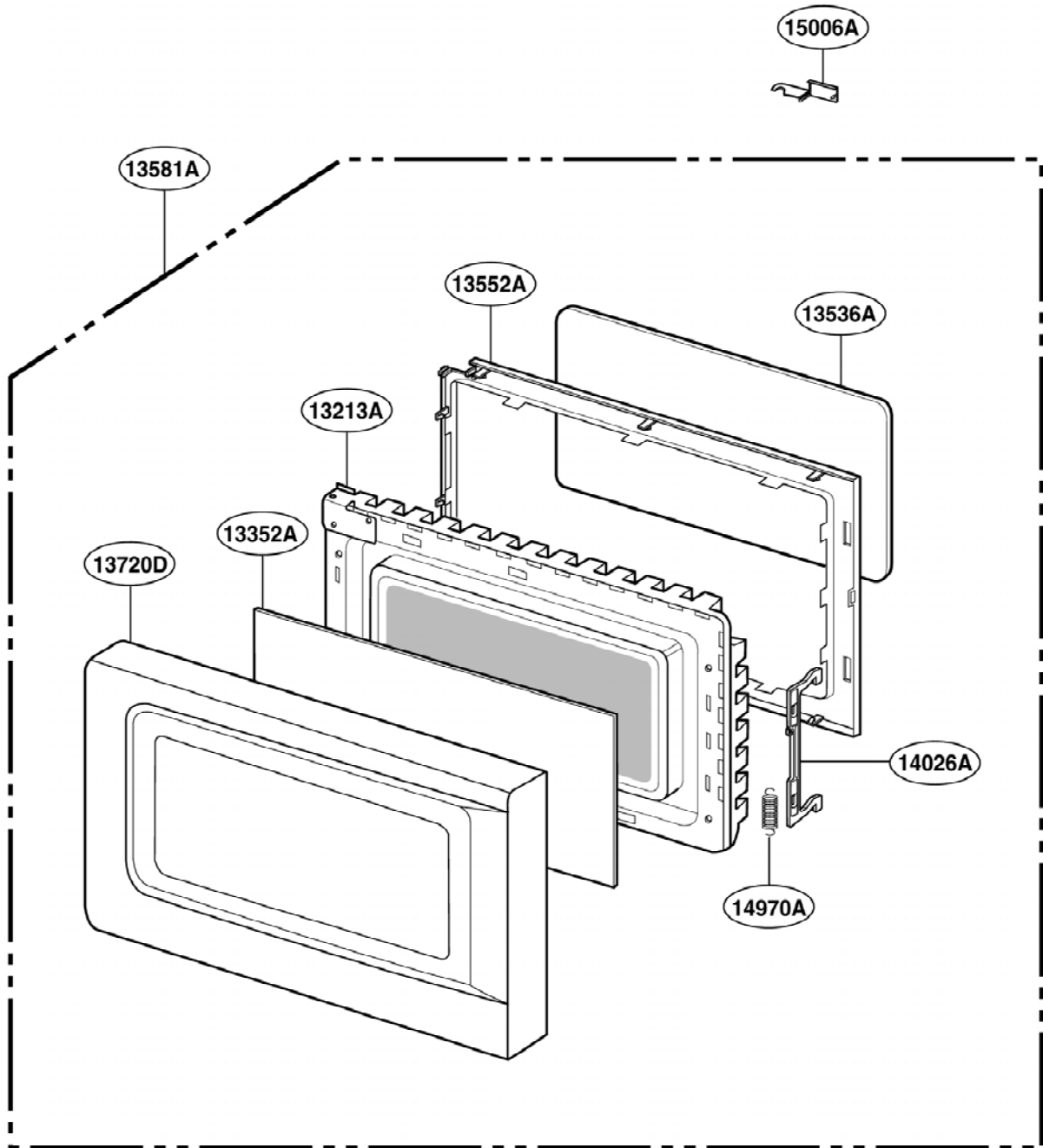
# EXPLODED VIEW

## INTRODUCTION

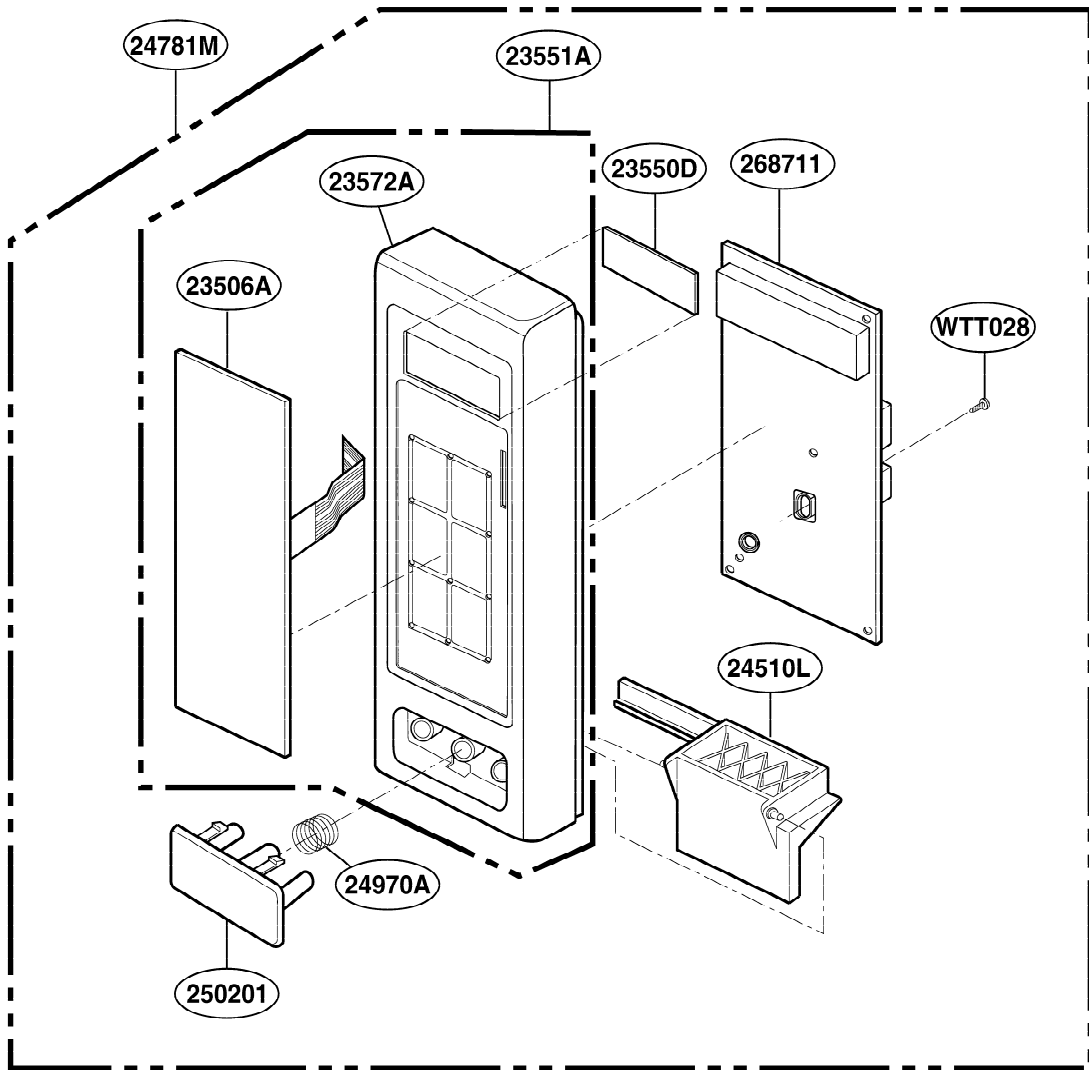
Model : MT4110SK



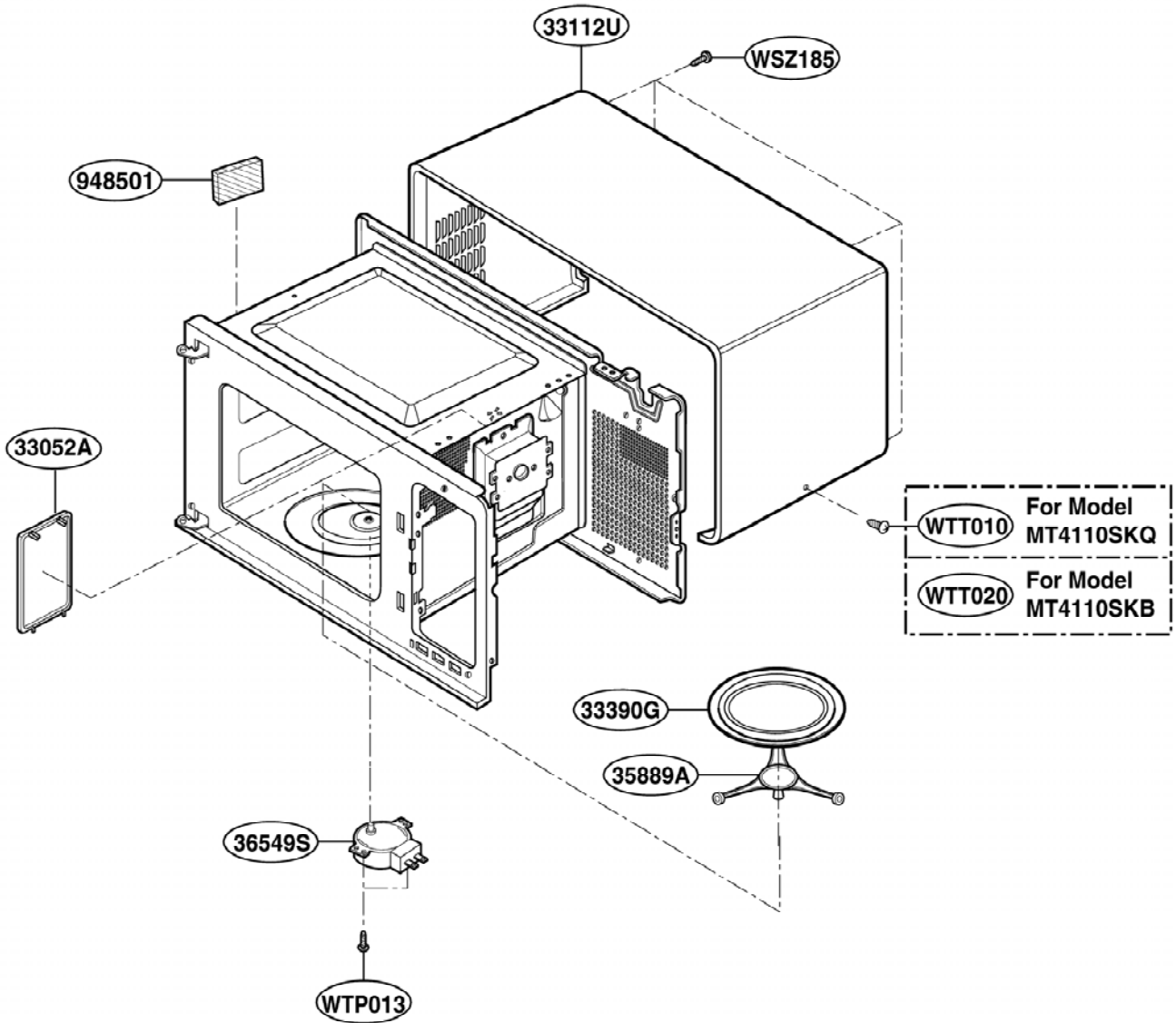
# DOOR PARTS



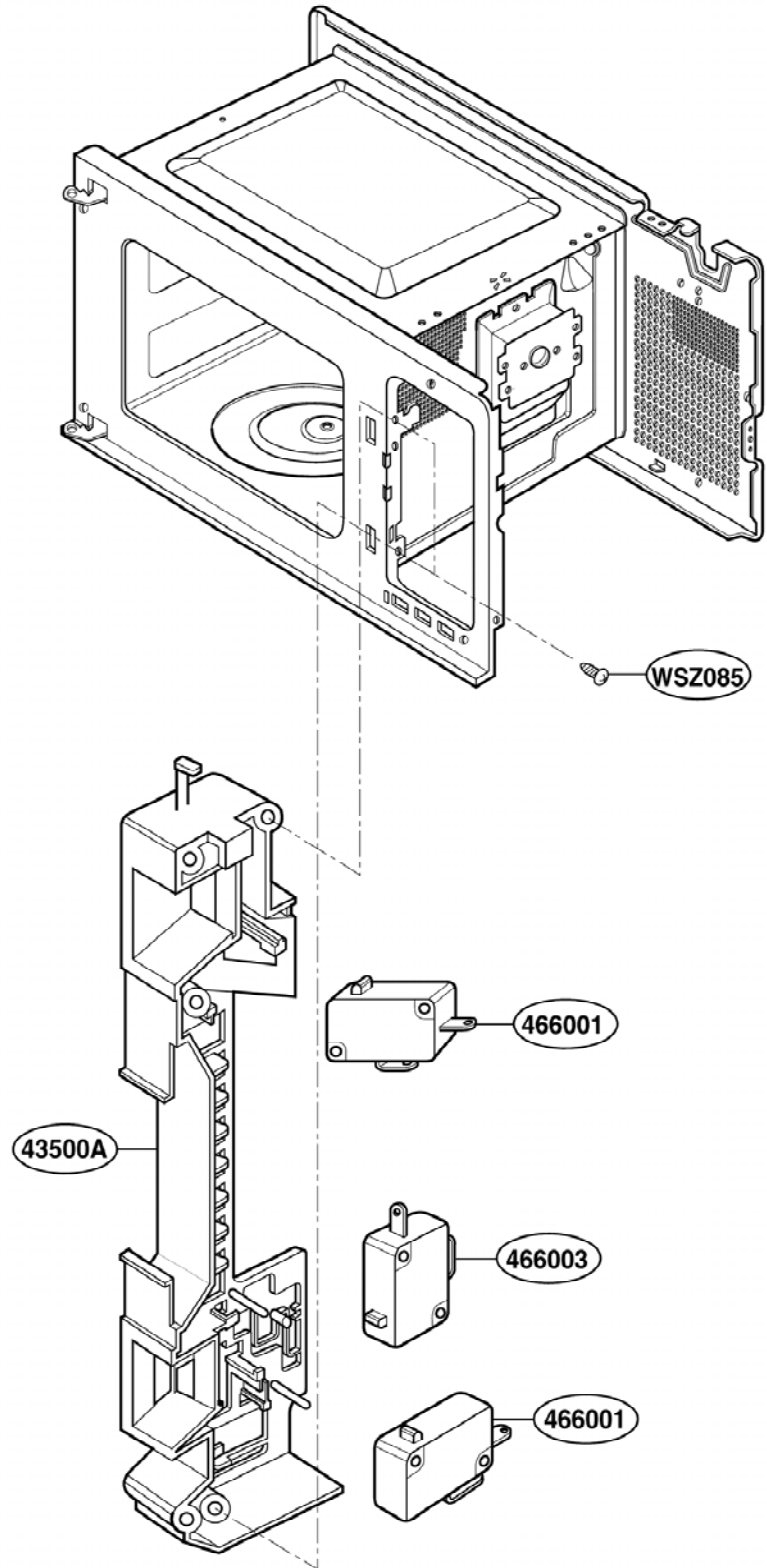
# CONTROL PANEL PARTS



# OVEN CAVITY PARTS



# LATCH BOARD PARTS

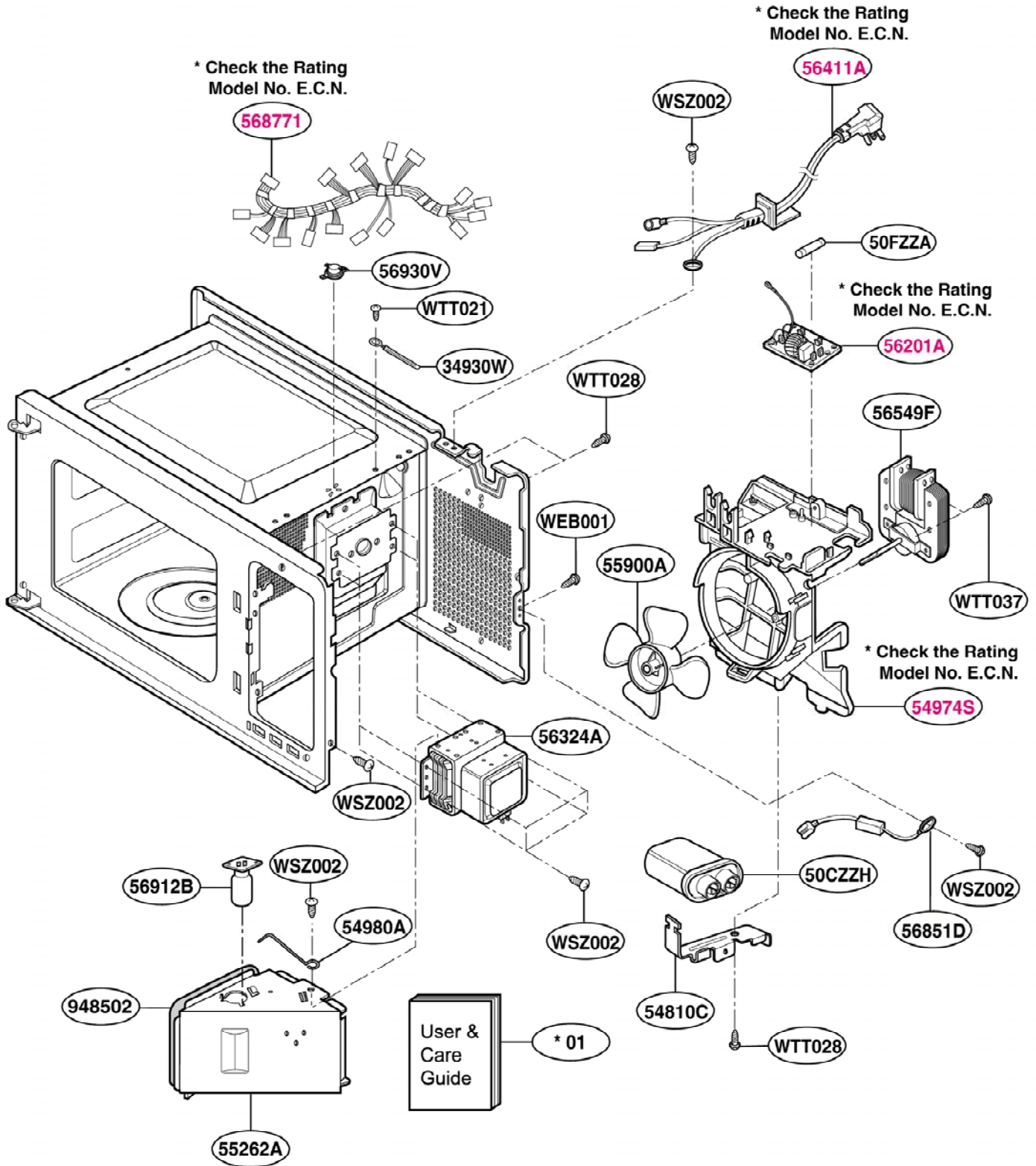




# INTERIOR PARTS (II)

Model: MT4110SKB-2

Check the rating label of **Model** and order SVC parts according to the **Model No. E.C.N.**



# BASE PLATE PARTS

