

This Owner's Manual is provided and hosted by [Appliance Factory Parts](#).



# WHIRLPOOL MT4110SPB-1 Owner's Manual

[Shop genuine replacement parts for WHIRLPOOL  
MT4110SPB-1](#)



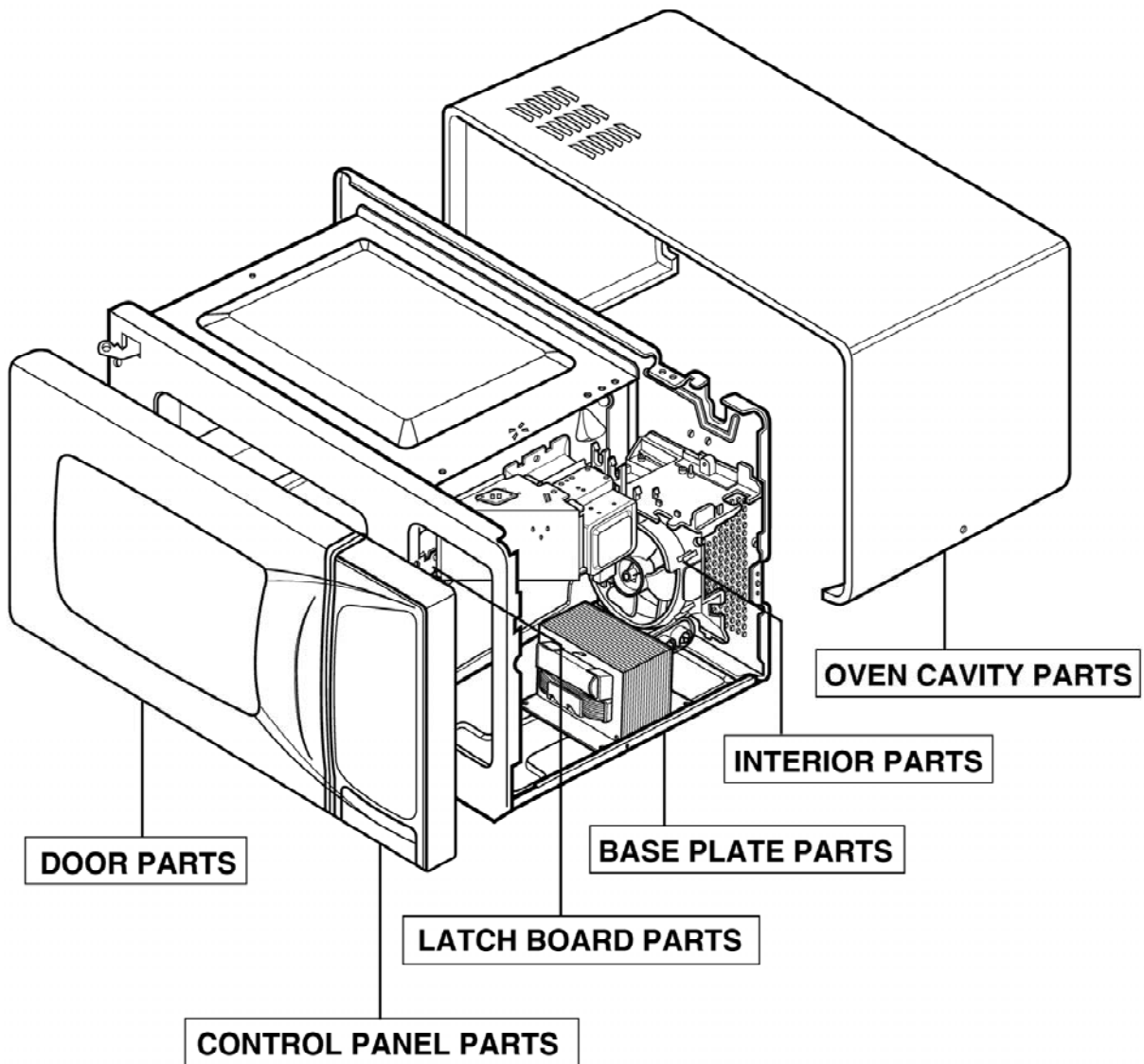
[Find Your WHIRLPOOL Microwave Parts - Select From 1350 Models](#)

----- Manual continues below -----

# EXPLODED VIEW

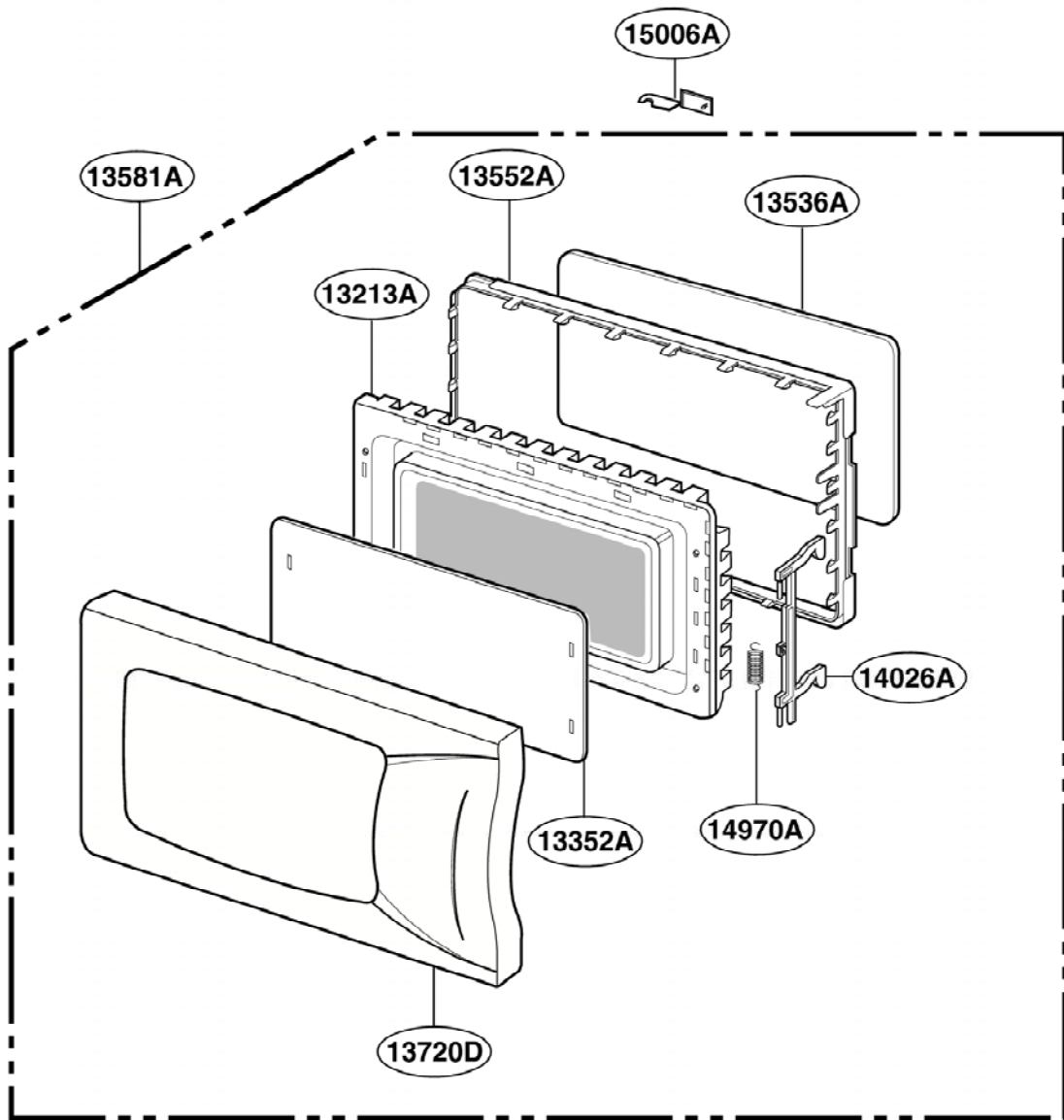
## INTRODUCTION

Model : MT4110SP

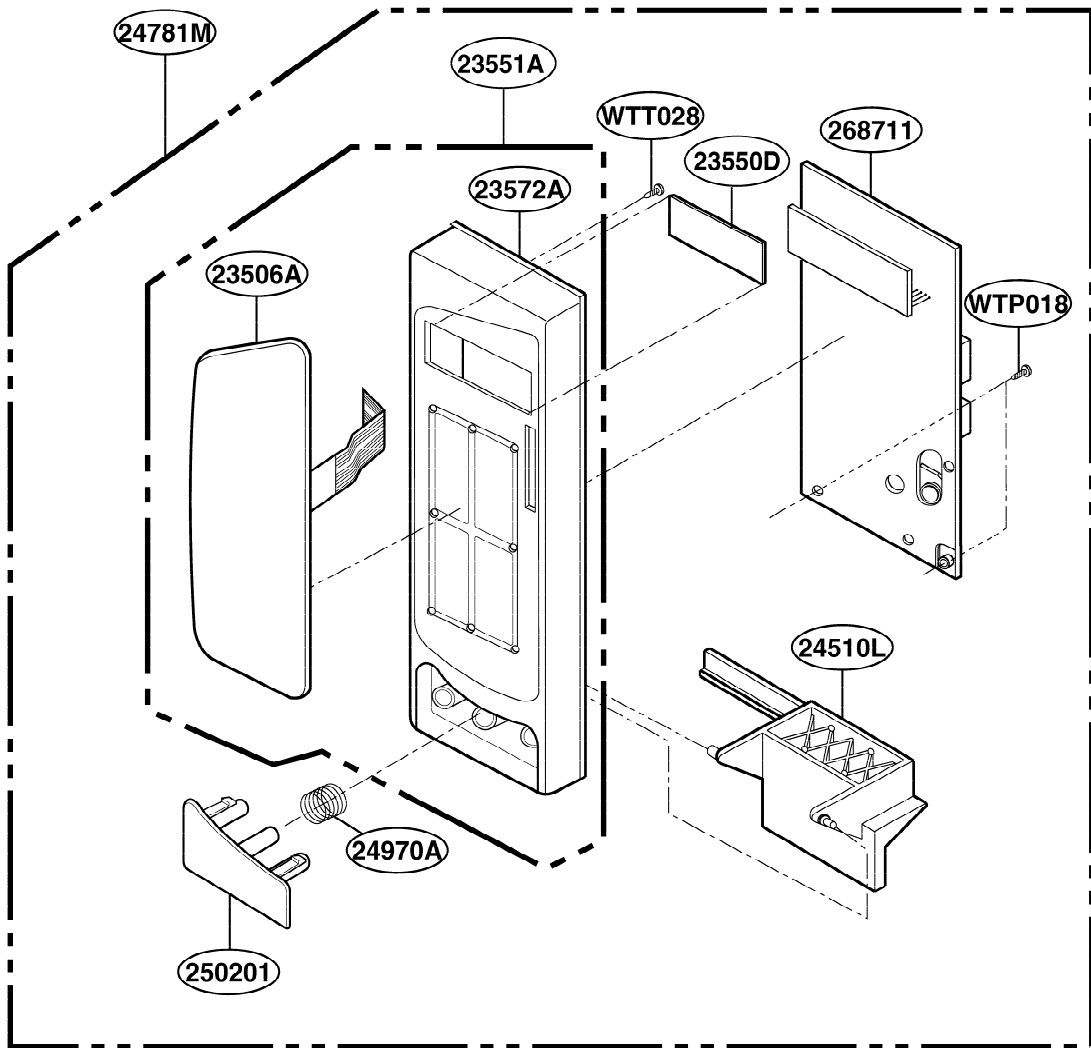


P/NO : 3828W5S3359

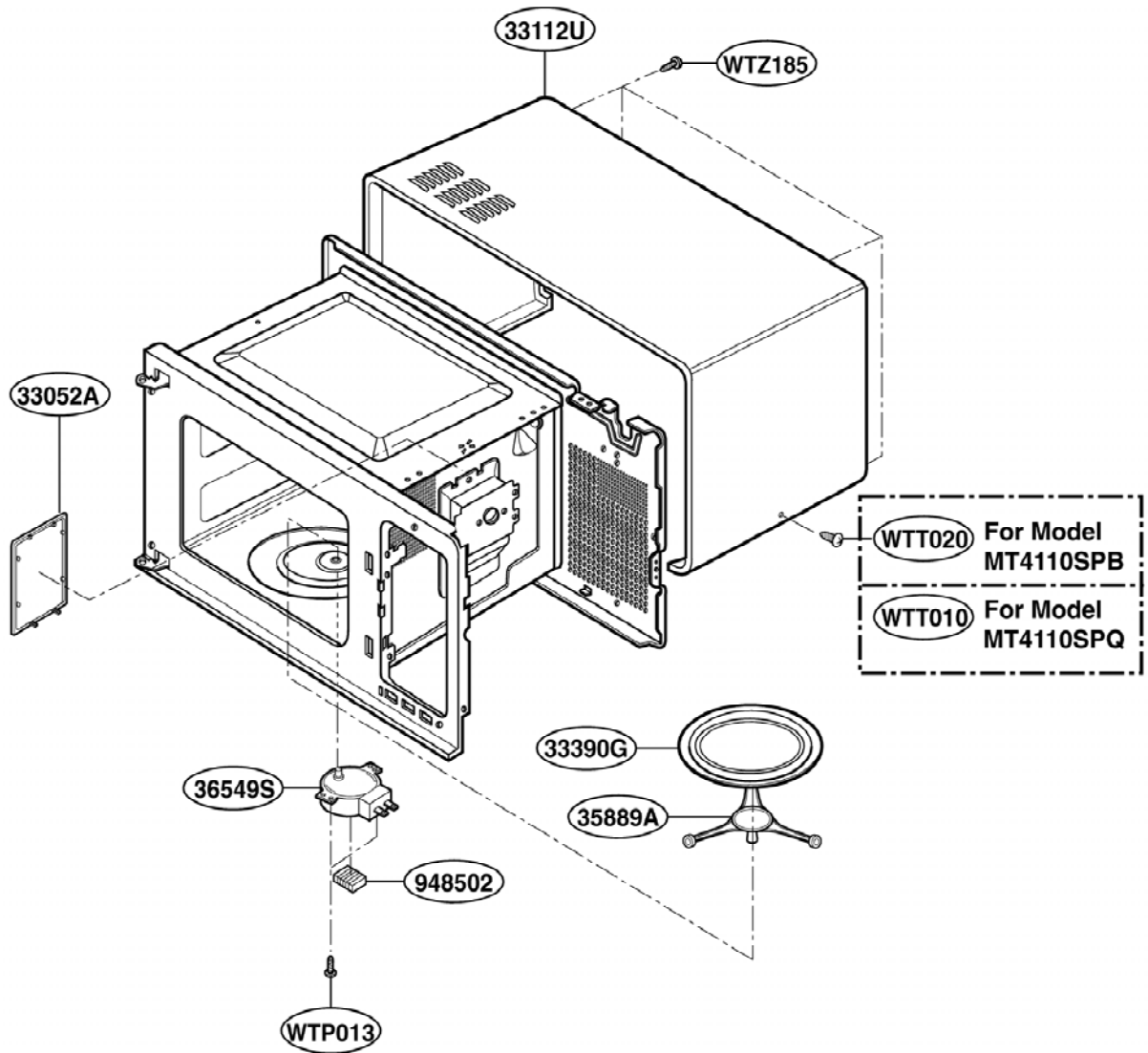
# DOOR PARTS



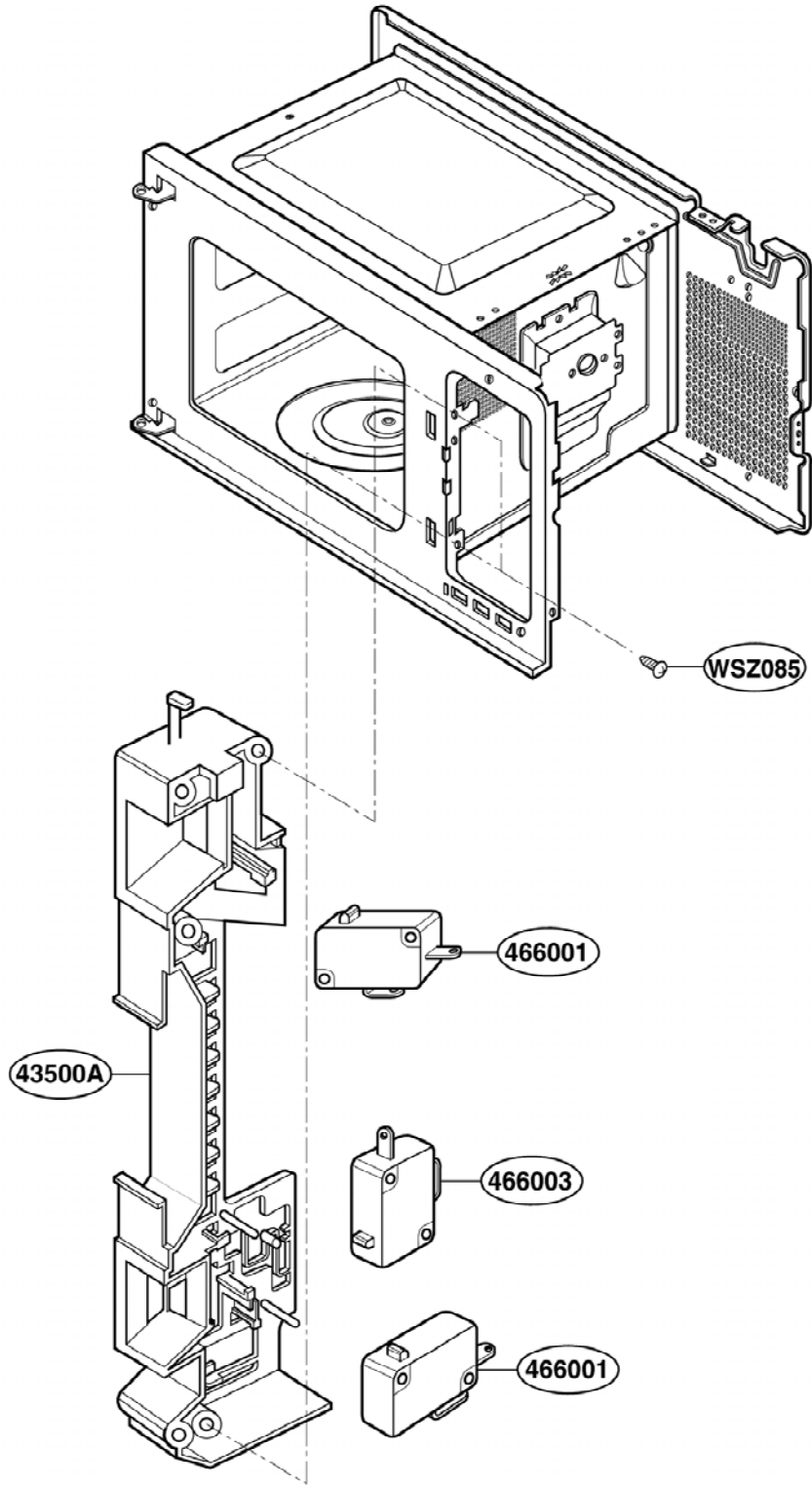
# CONTROL PANEL PARTS



# OVEN CAVITY PARTS



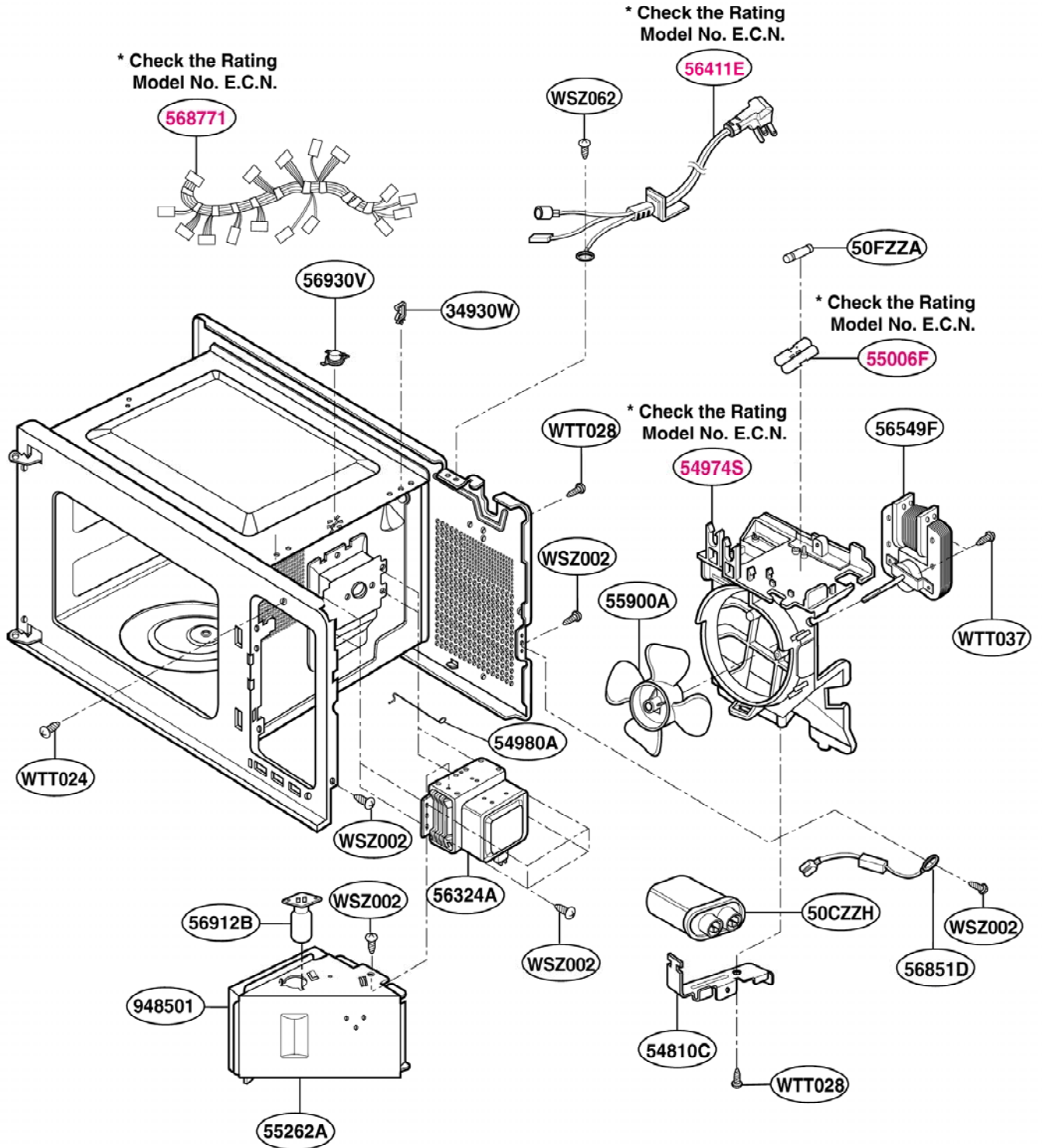
# LATCH BOARD PARTS



# INTERIOR PARTS (I)

Model: MT4110SPQ-0  
MT4110SPB-0

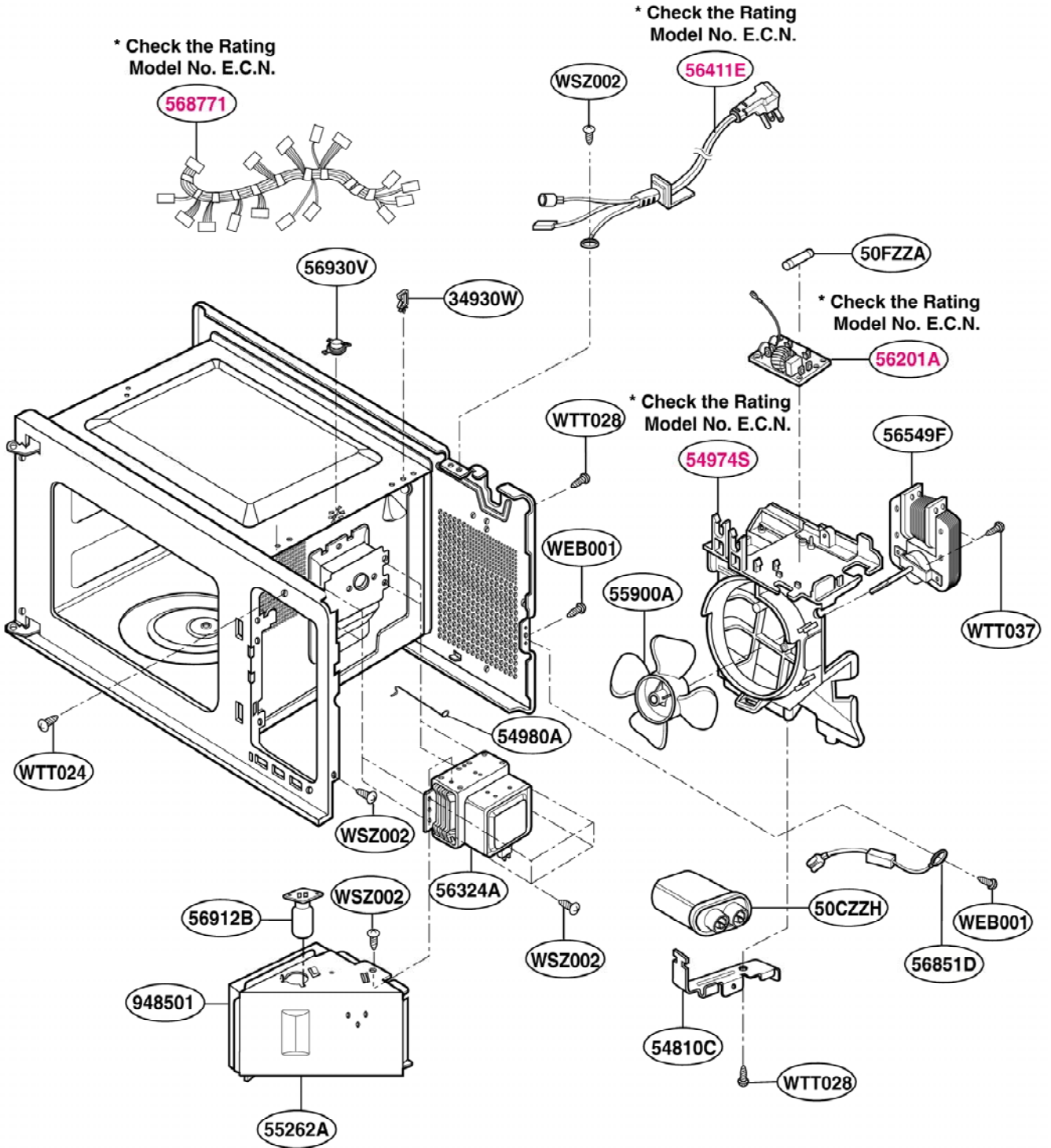
Check the rating label of **Model** and order  
SVC parts according to the **Model No. E.C.N.**



# INTERIOR PARTS (II)

Model: MT4110SPQ-1  
MT4110SPB-1

Check the rating label of **Model** and order  
SVC parts according to the **Model No. E.C.N.**



# BASE PLATE PARTS

