

This Owner's Manual is provided and hosted by [Appliance Factory Parts](#).



WHIRLPOOL MT4110SPQ Owner's Manual

[Shop genuine replacement parts for WHIRLPOOL
MT4110SPQ](#)



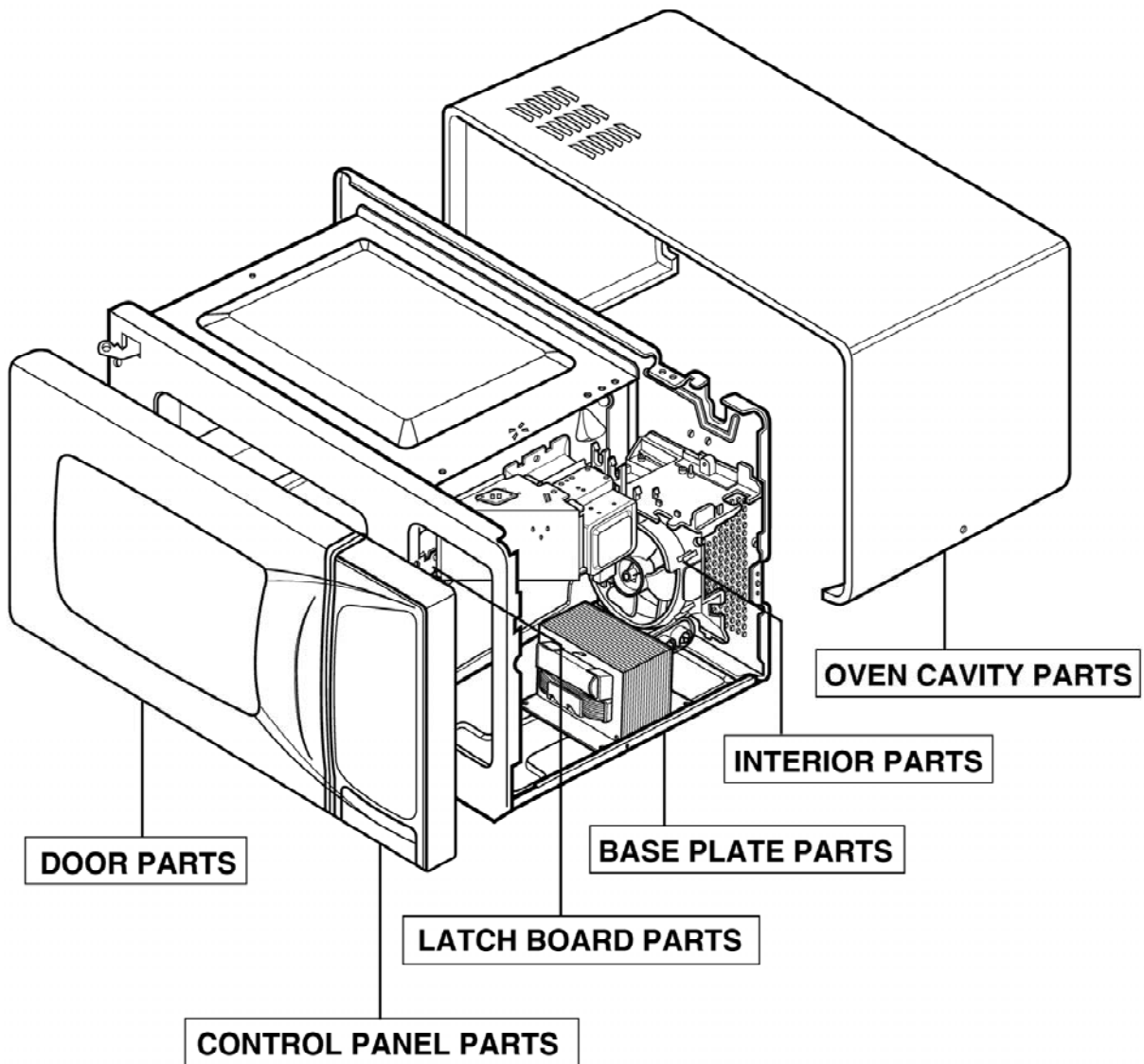
[Find Your WHIRLPOOL Microwave Parts - Select From 1350 Models](#)

----- Manual continues below -----

EXPLODED VIEW

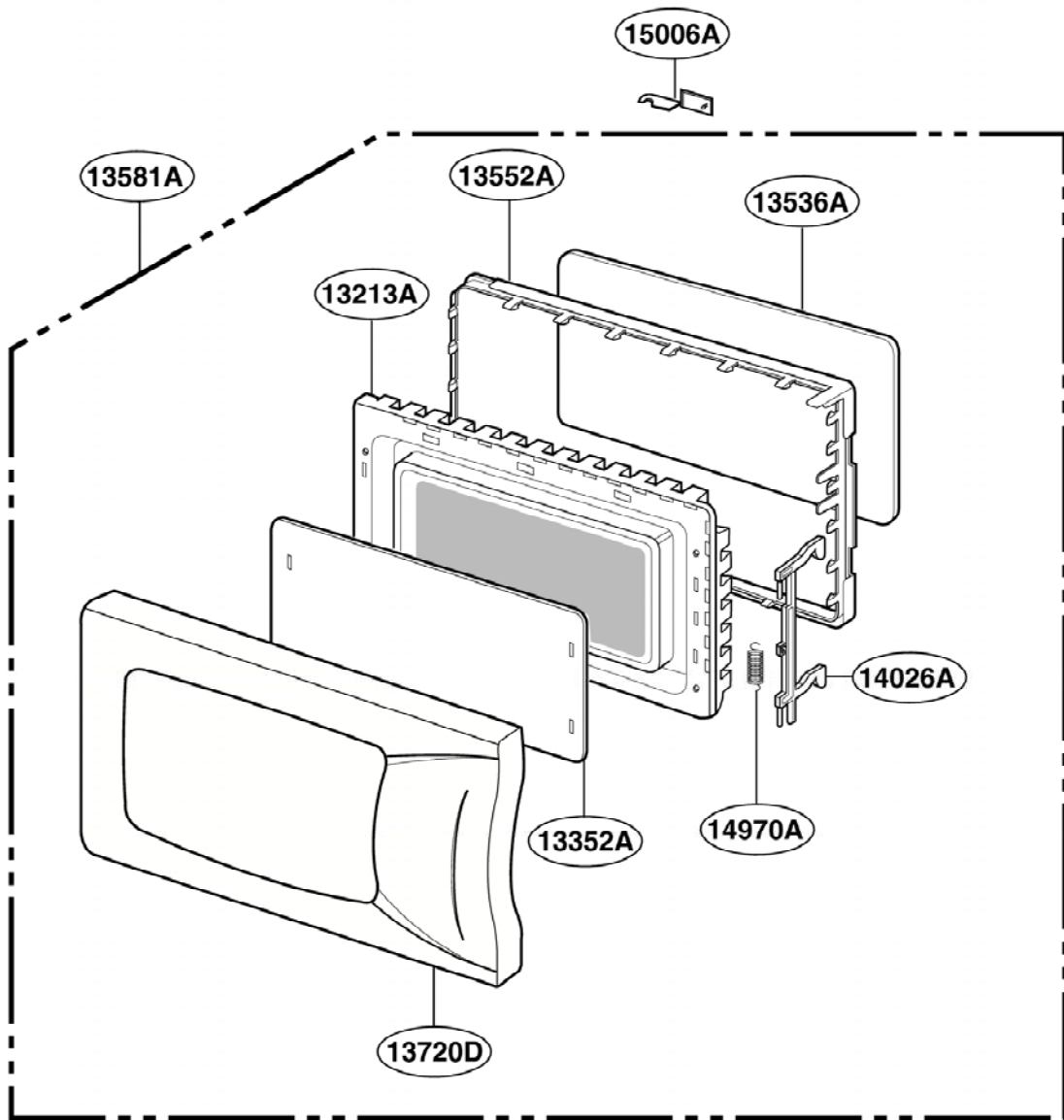
INTRODUCTION

Model : MT4110SP

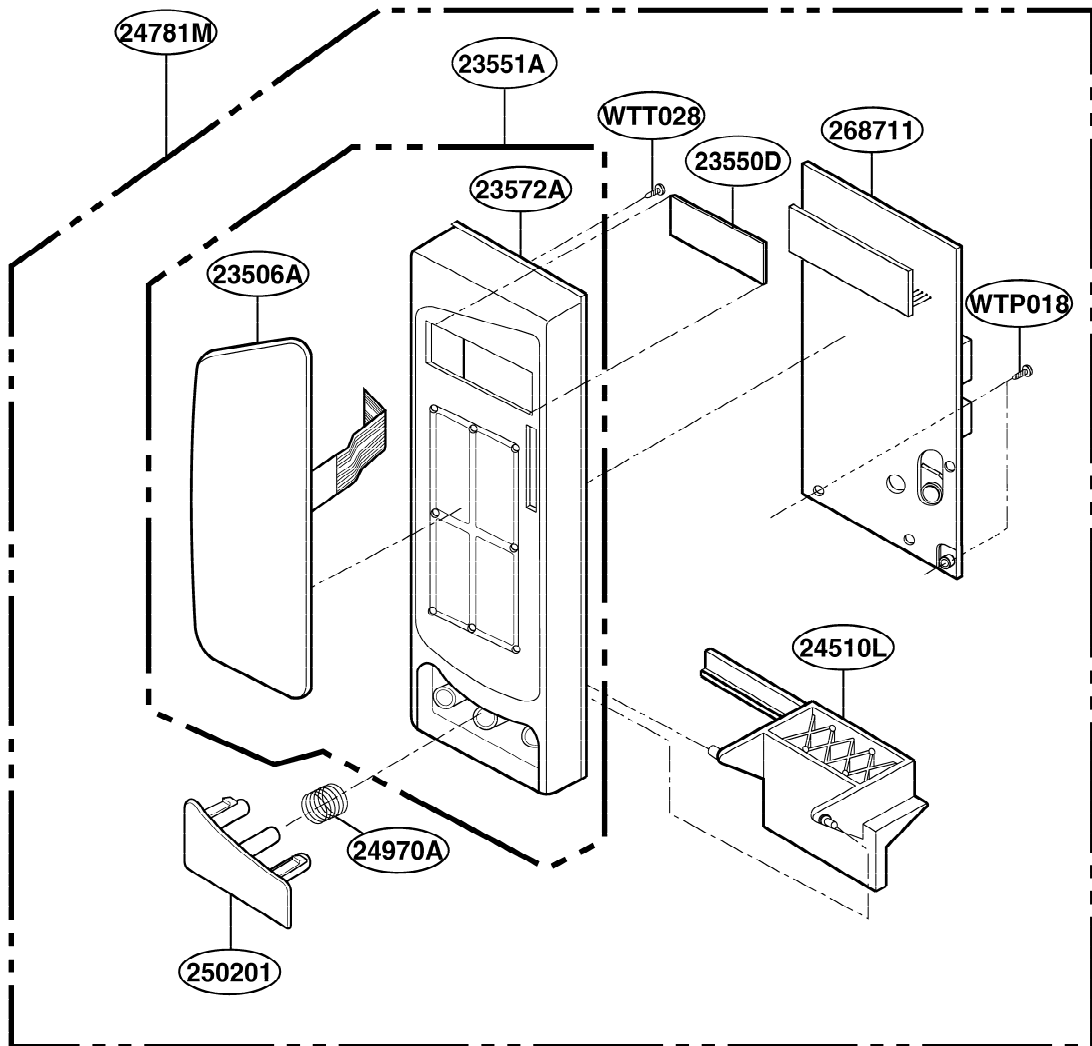


P/NO : 3828W5S3359

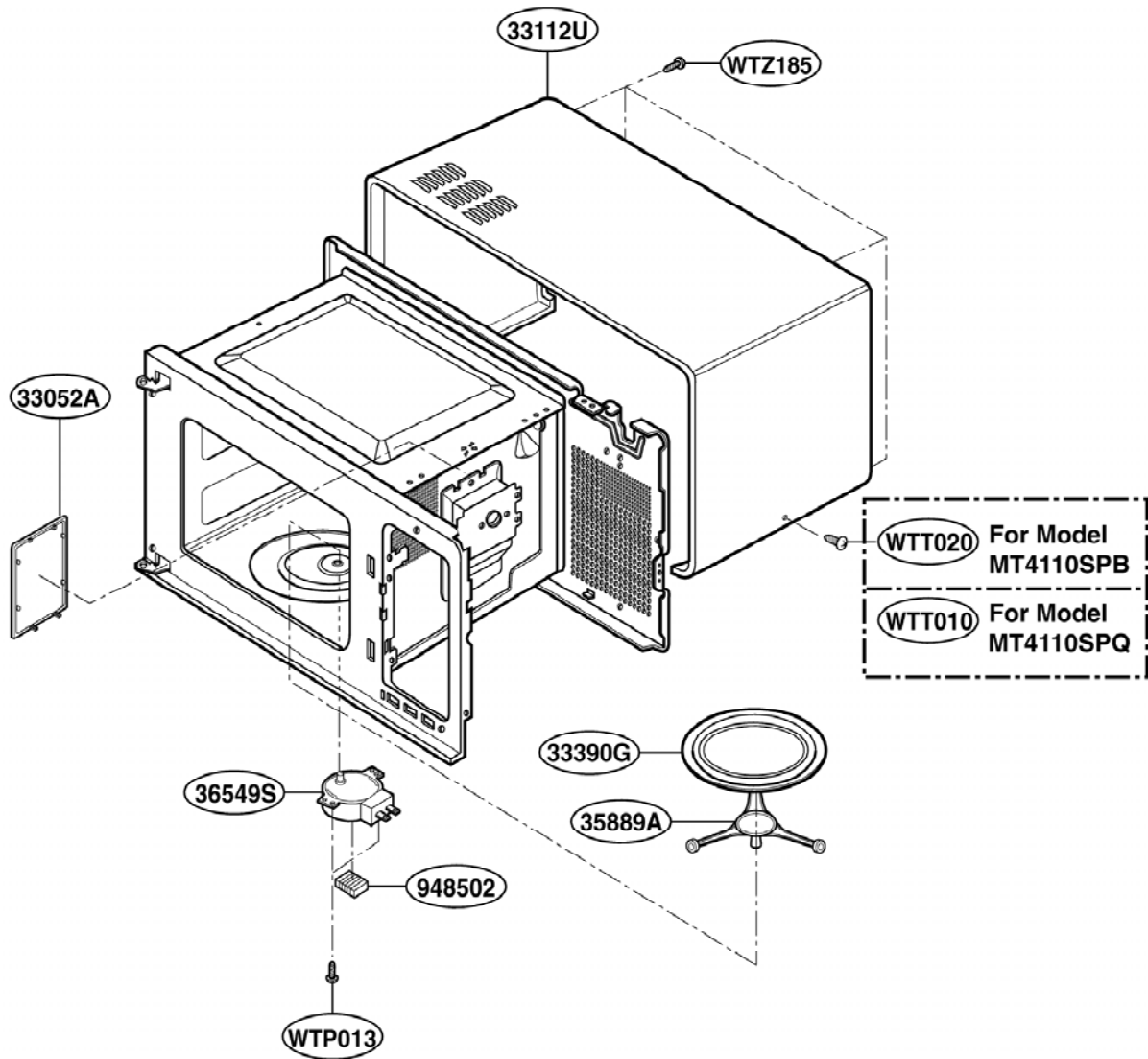
DOOR PARTS



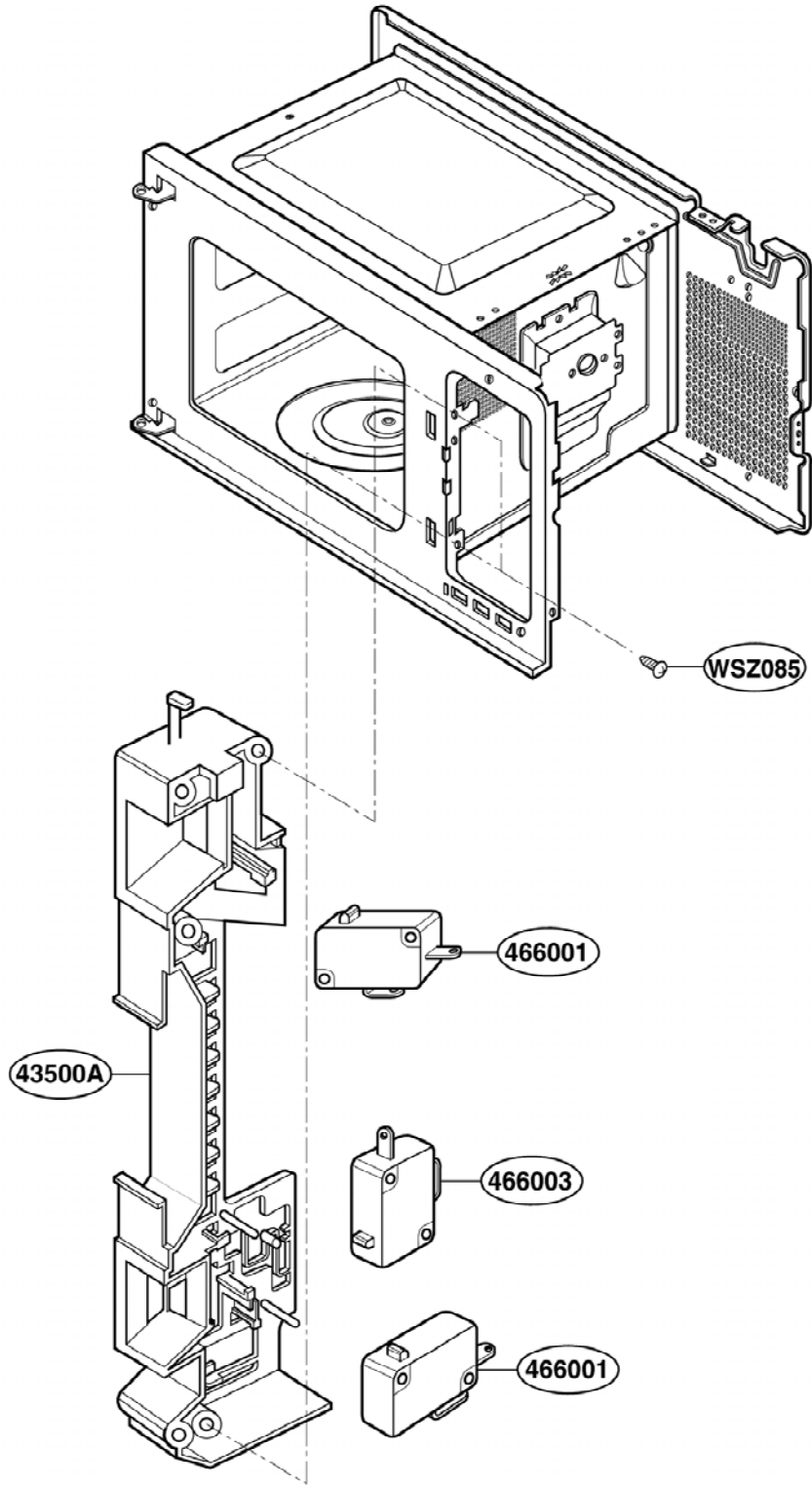
CONTROL PANEL PARTS



OVEN CAVITY PARTS



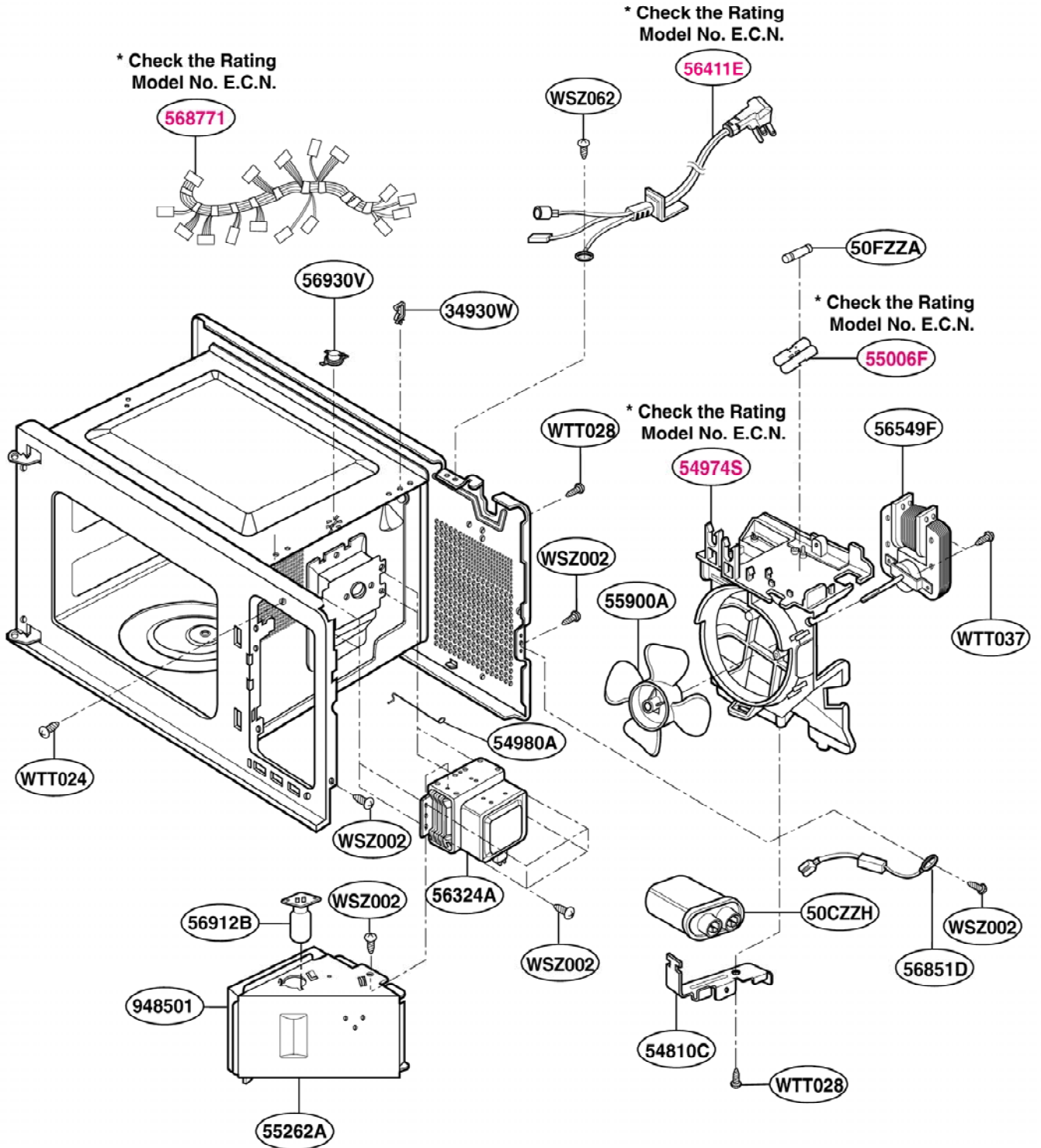
LATCH BOARD PARTS



INTERIOR PARTS (I)

Model: MT4110SPQ-0
MT4110SPB-0

Check the rating label of **Model** and order
SVC parts according to the **Model No. E.C.N.**



BASE PLATE PARTS

