

This Owner's Manual is provided and hosted by [Appliance Factory Parts](#).



WHIRLPOOL MT4140SKB Owner's Manual

[Shop genuine replacement parts for WHIRLPOOL
MT4140SKB](#)



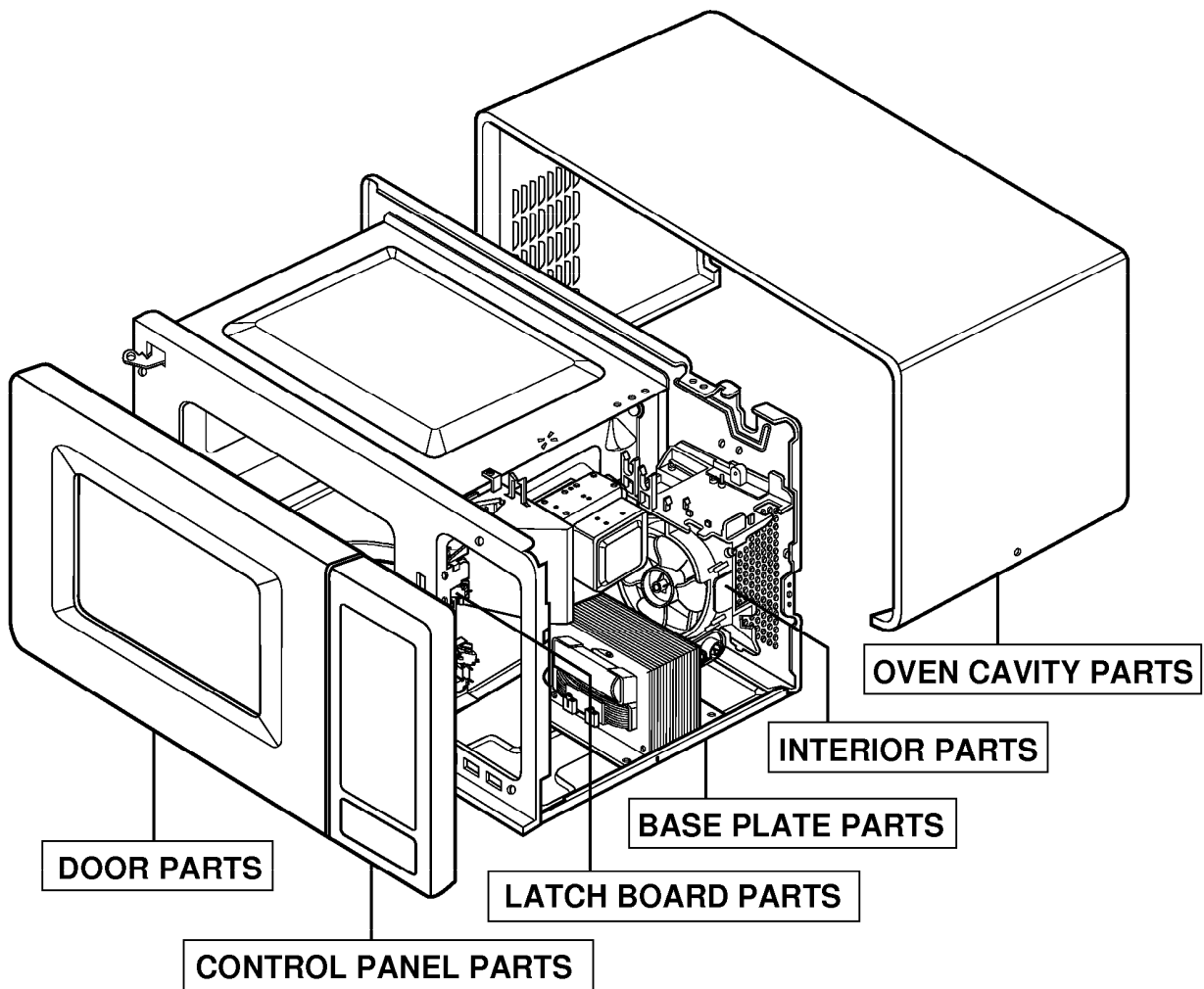
[Find Your WHIRLPOOL Microwave Parts - Select From 1350 Models](#)

----- Manual continues below -----

EXPLODED VIEW

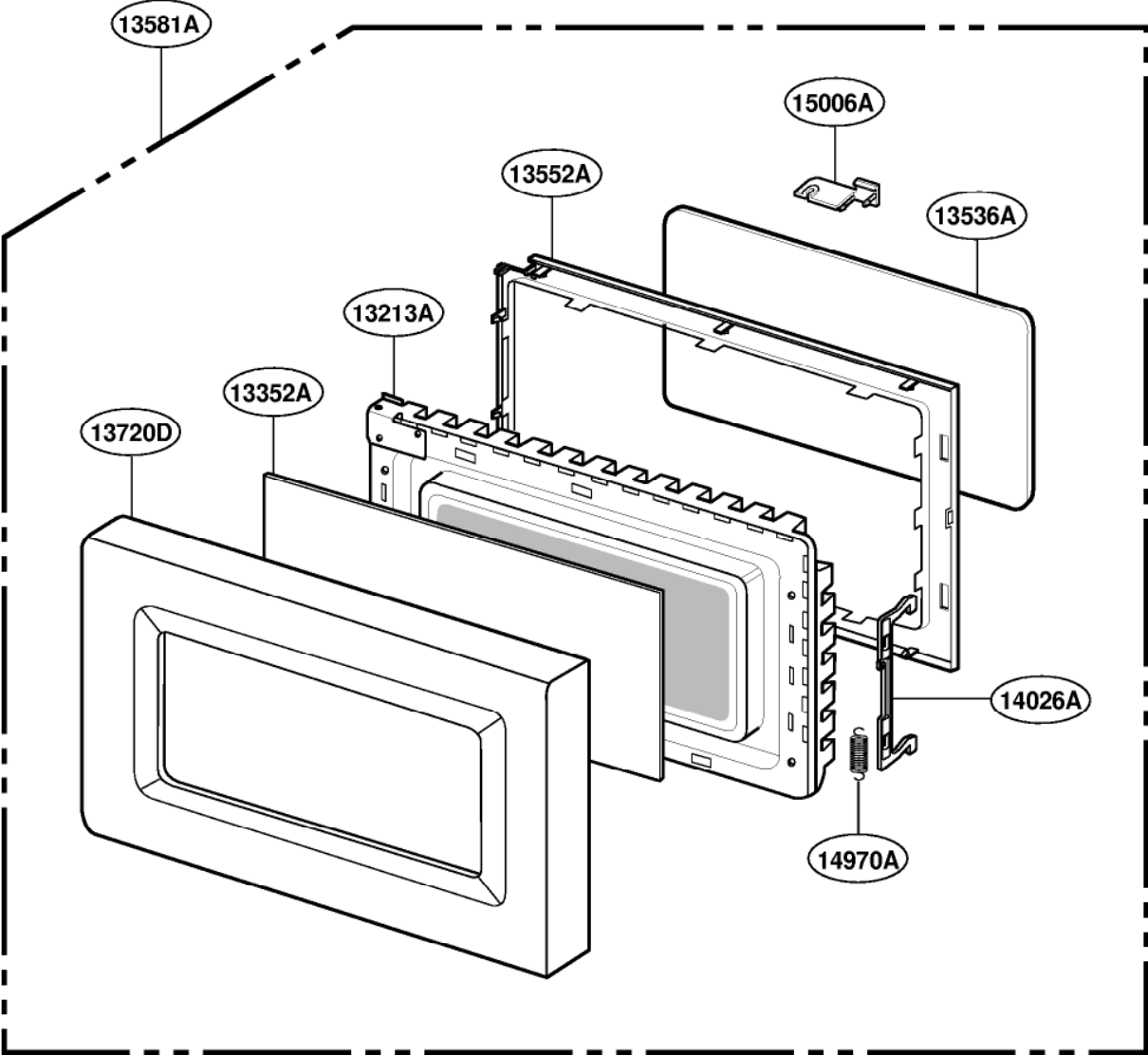
INTRODUCTION

MODEL: MT4140SK



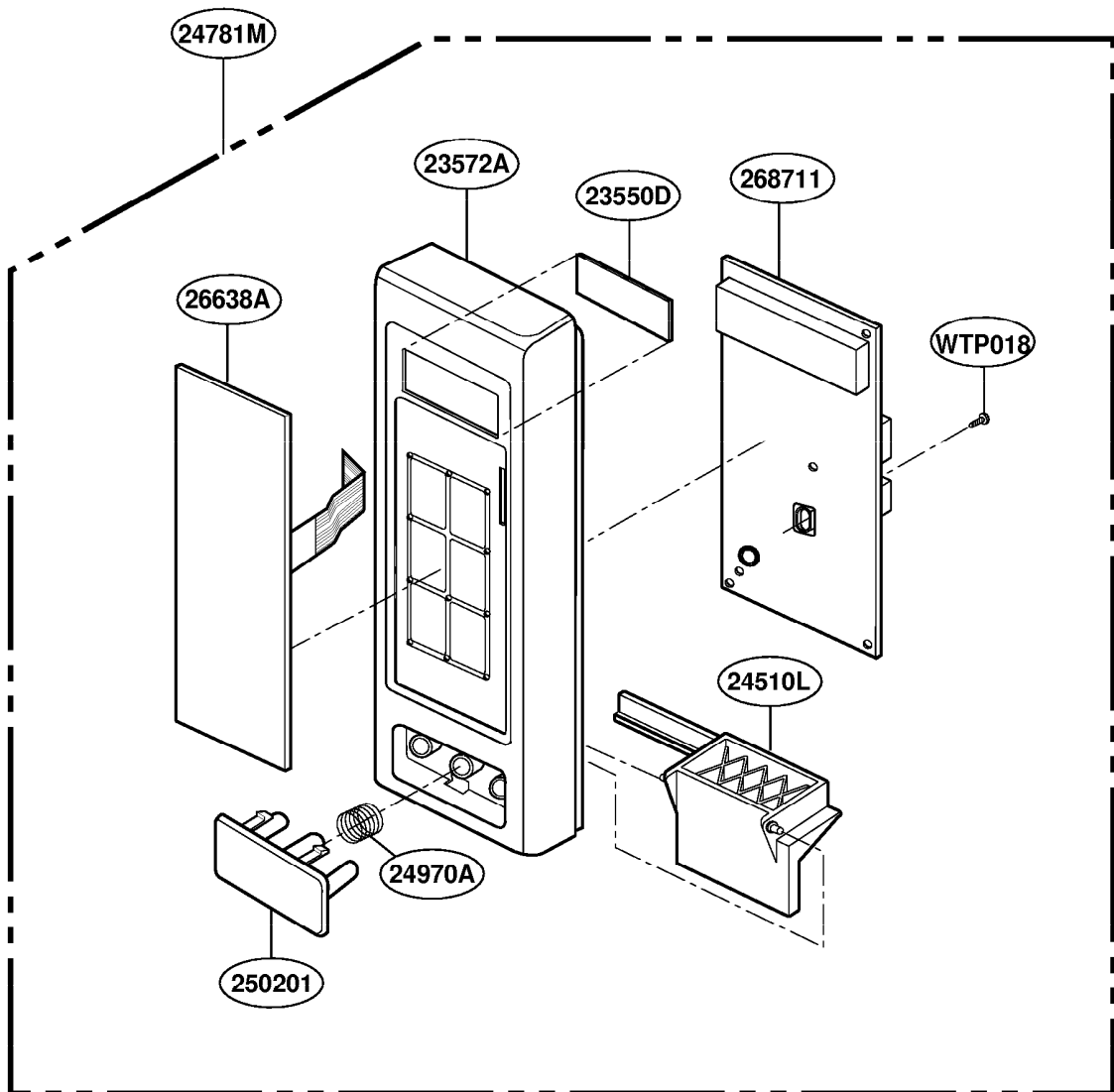
DOOR PARTS

MODEL: MT4140SK



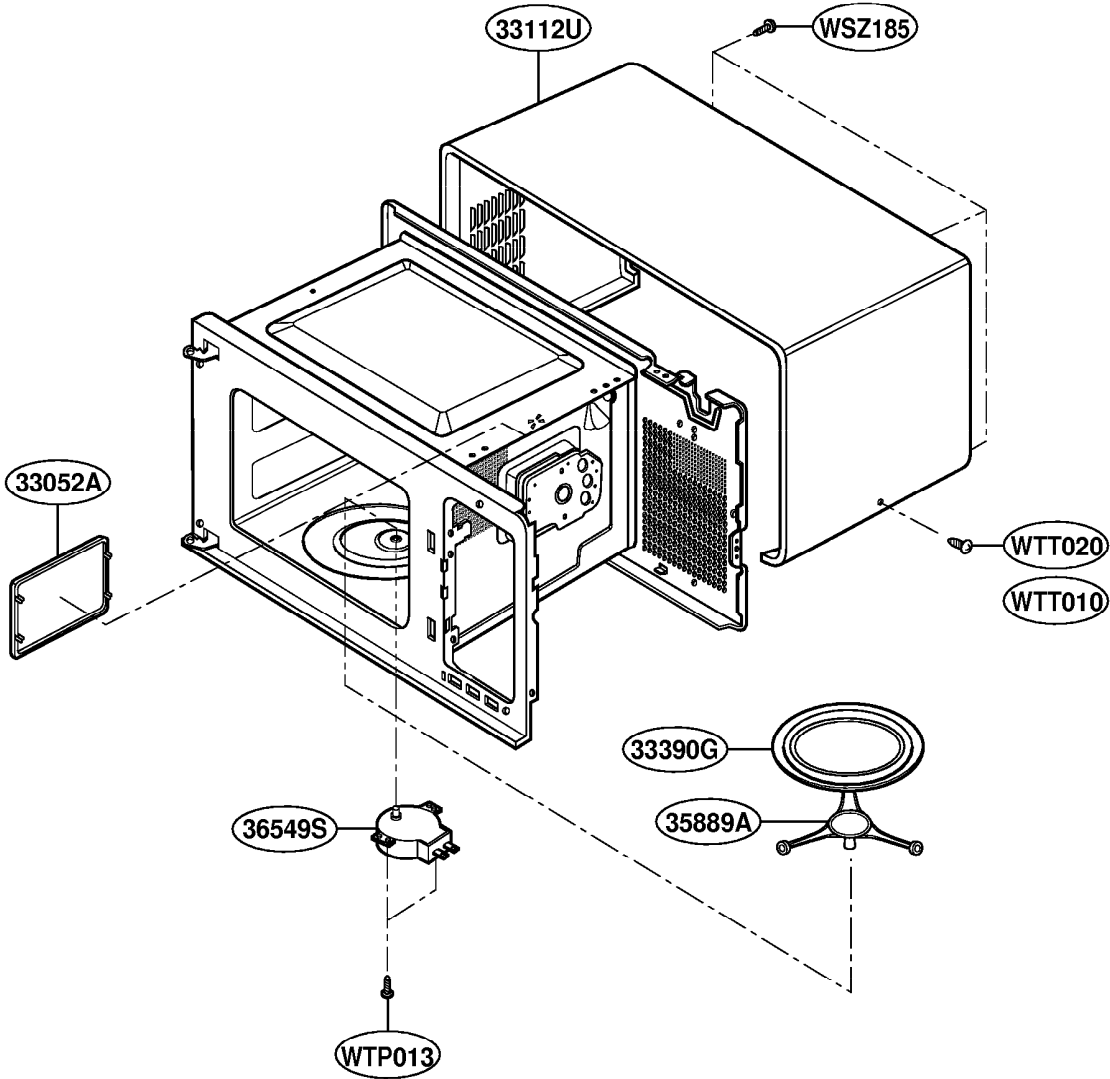
CONTROLLER PARTS

MODEL: MT4140SK



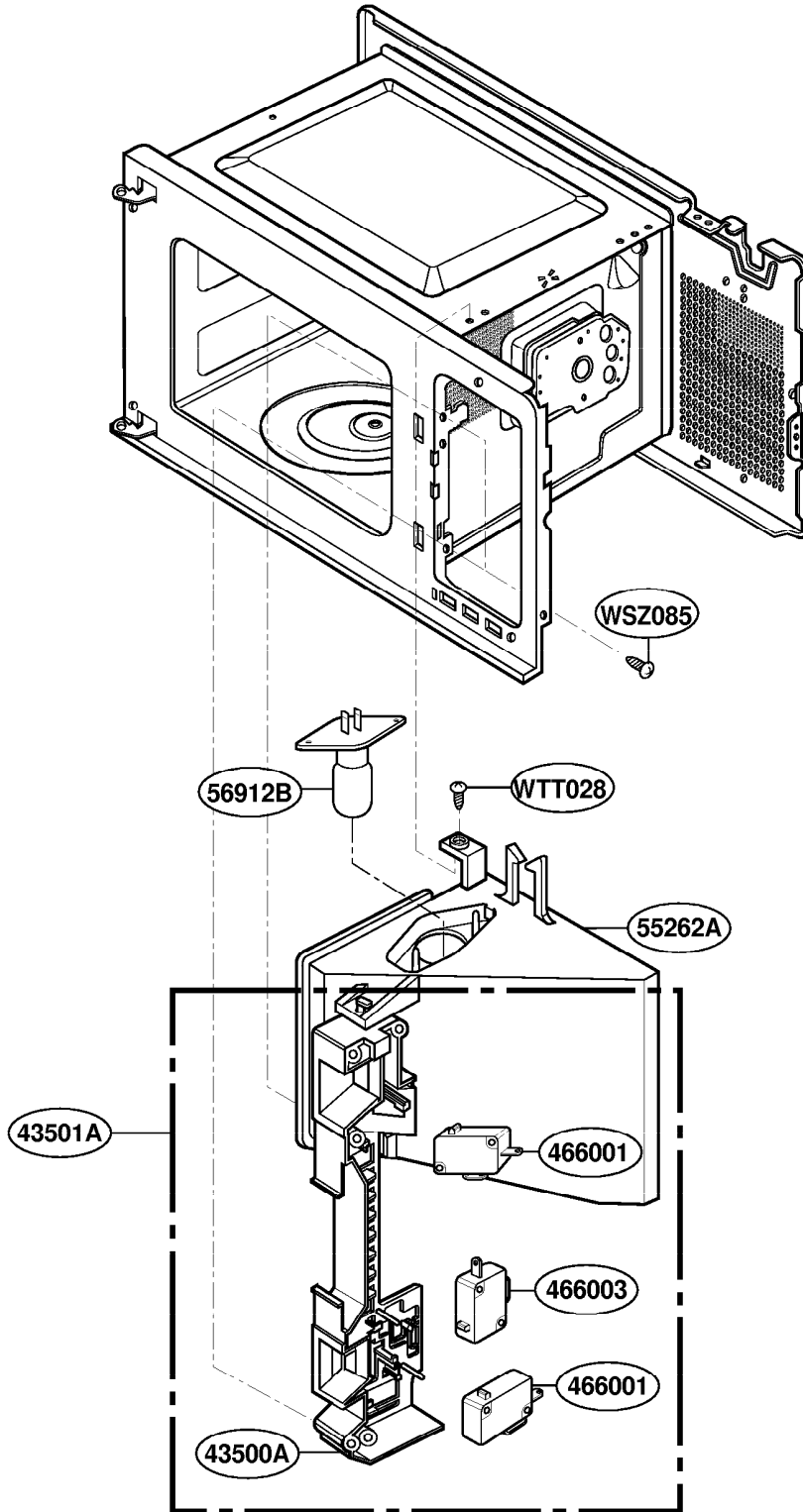
OVEN CAVITY PARTS

MODEL: MT4140SK



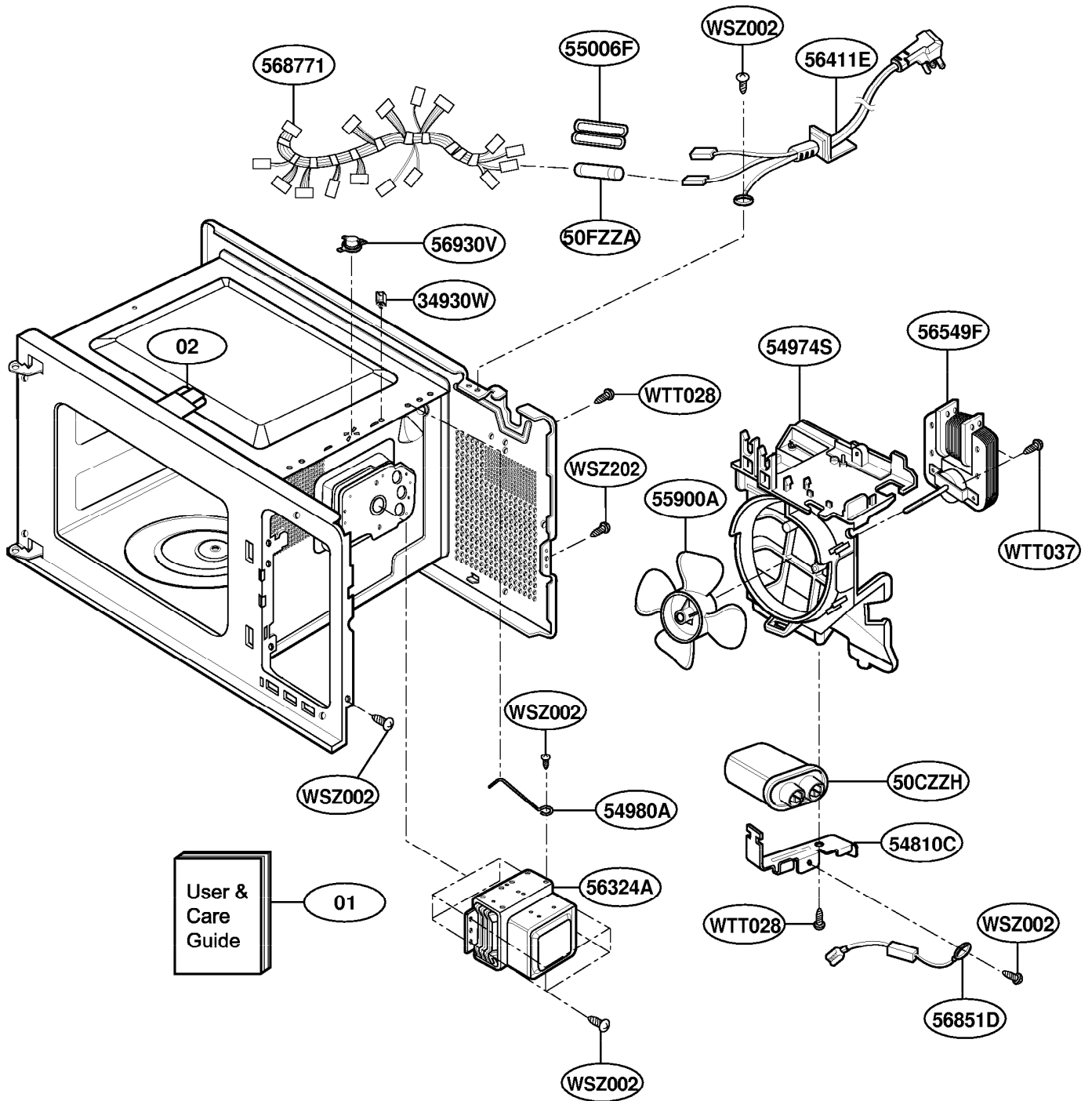
LATCH BOARD PARTS

MODEL: MT4140SK



INTERIOR PARTS

MODEL: MT4140SK



BASE PLATE PARTS

MODEL: MT4140SK

