

This Owner's Manual is provided and hosted by [Appliance Factory Parts](http://www.appliancefactoryparts.com).

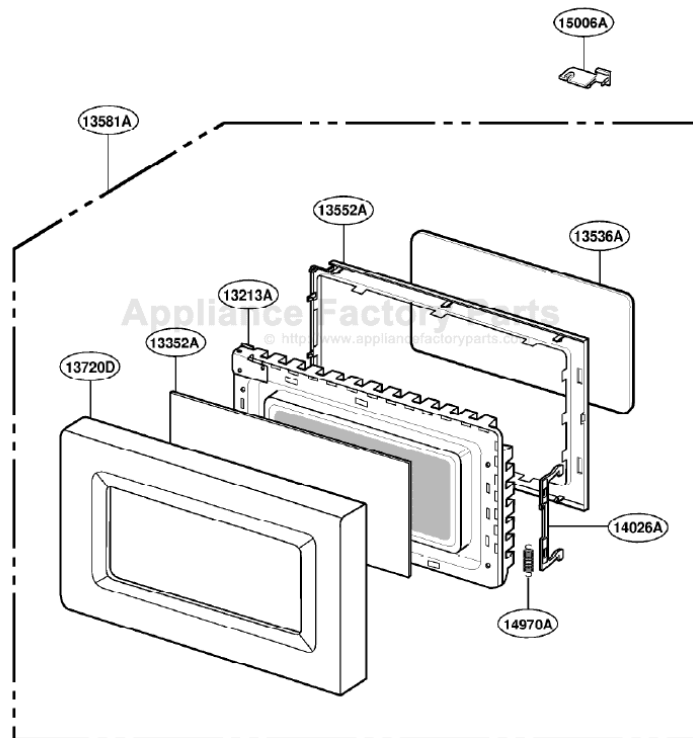


LG MT4145SKB Owner's Manual

[Shop genuine replacement parts for LG MT4145SKB](#)

DOOR PARTS

MT4145SK



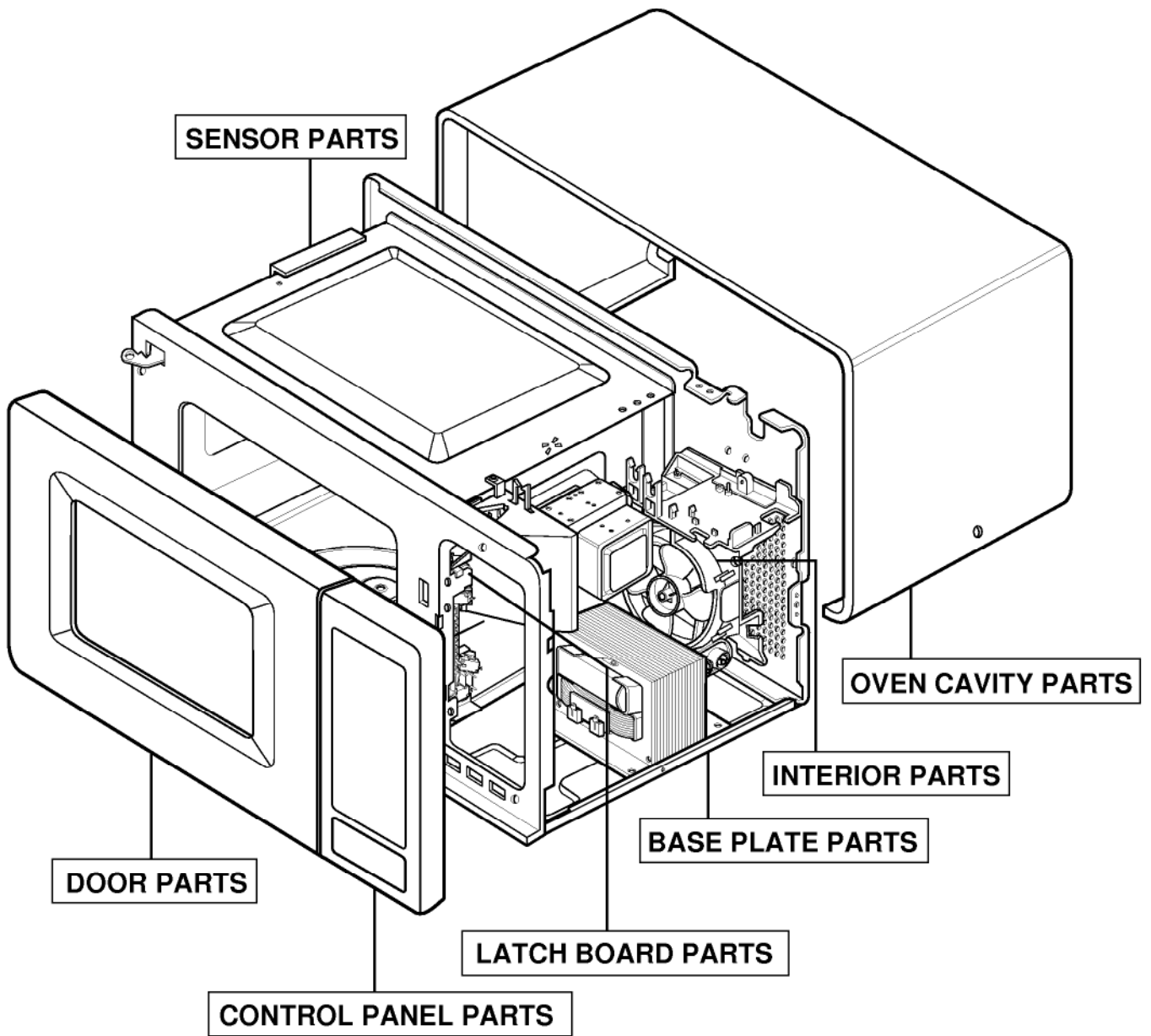
[Find Your LG Microwave Parts - Select From 955 Models](#)

----- Manual continues below -----

EXPLODED VIEW

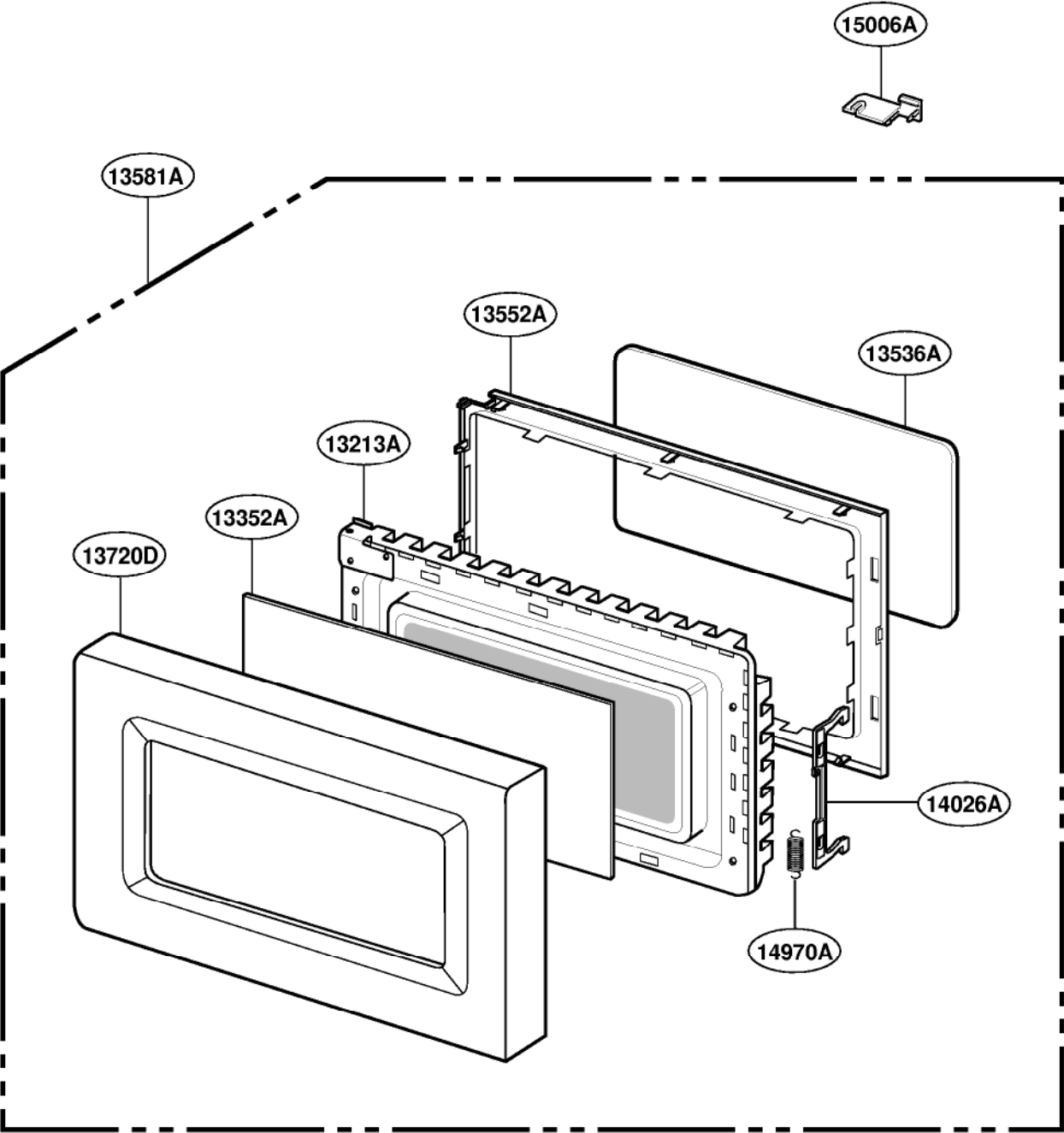
INTRODUCTION

MT4145SK



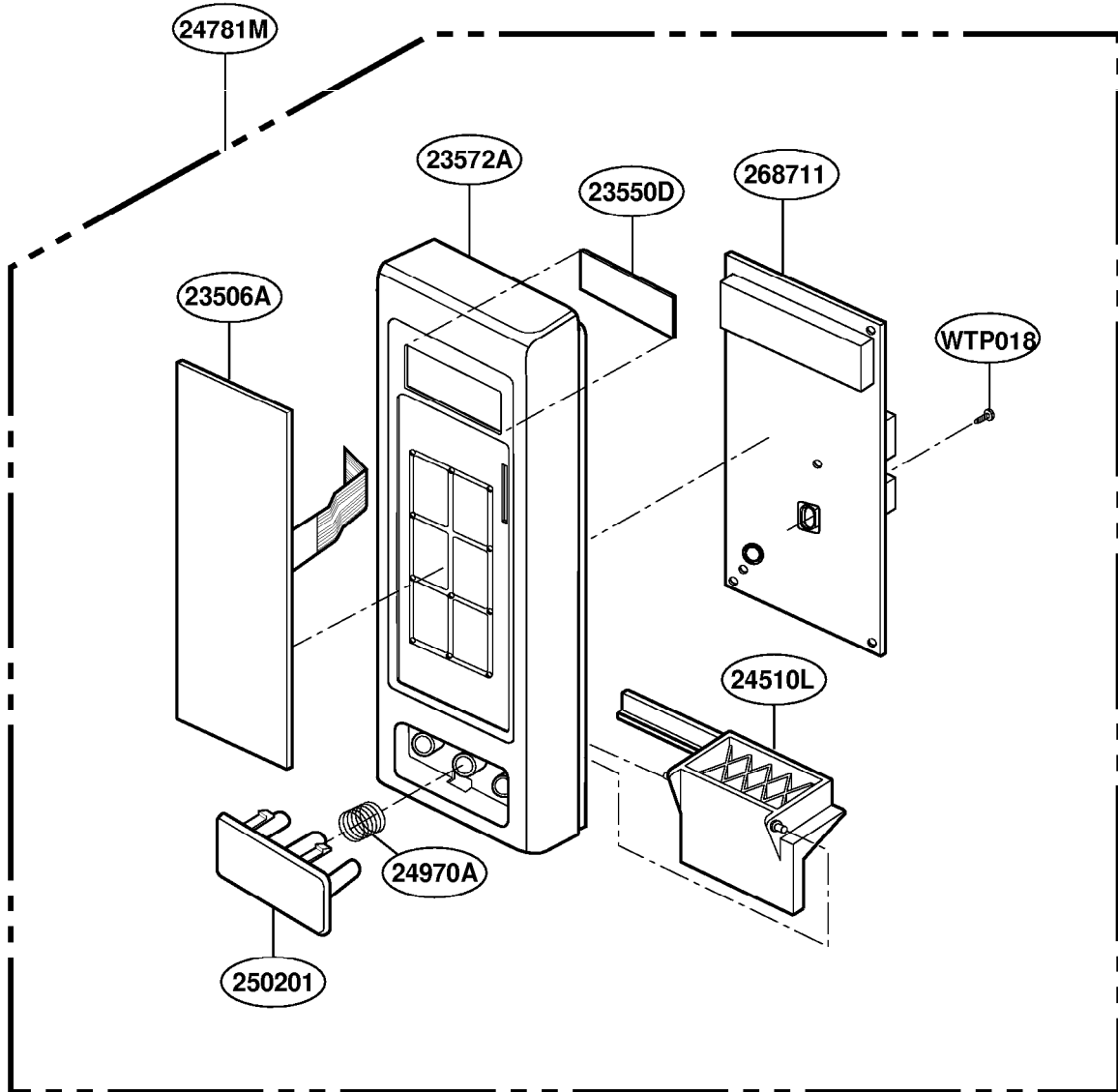
DOOR PARTS

MT4145SK



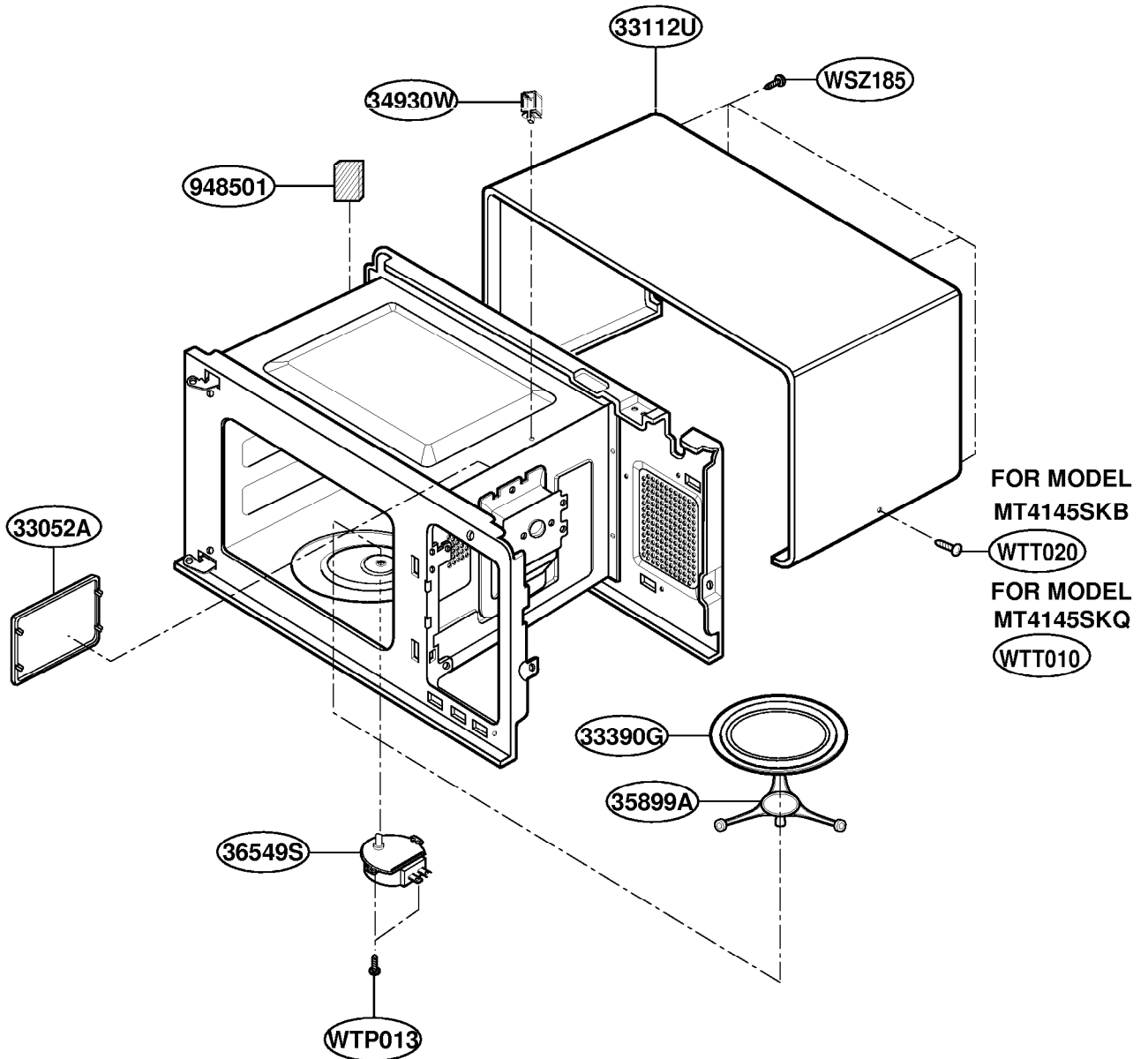
CONTROL PANEL PARTS

MT4145SK



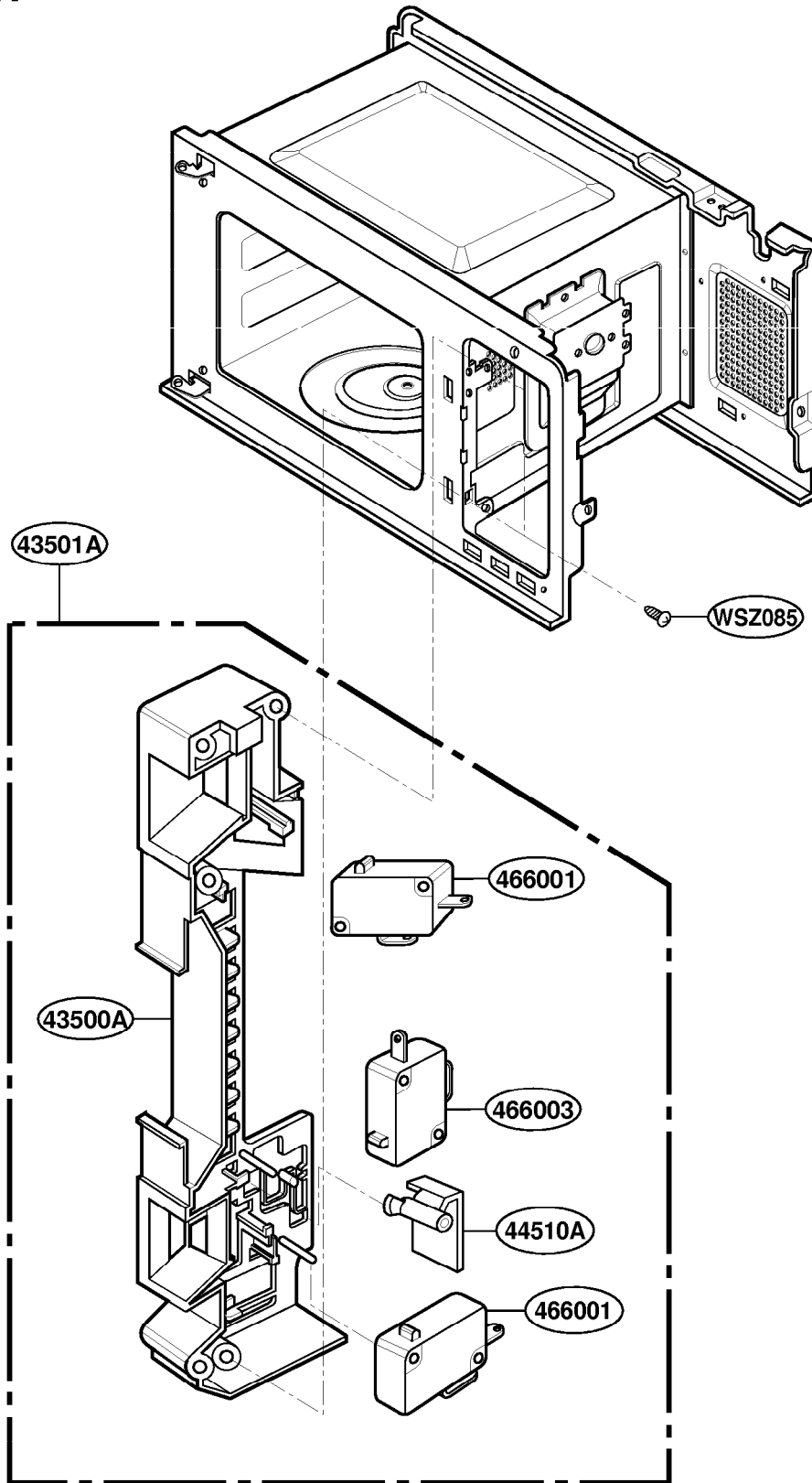
OVEN CAVITY PARTS

MT4145SK



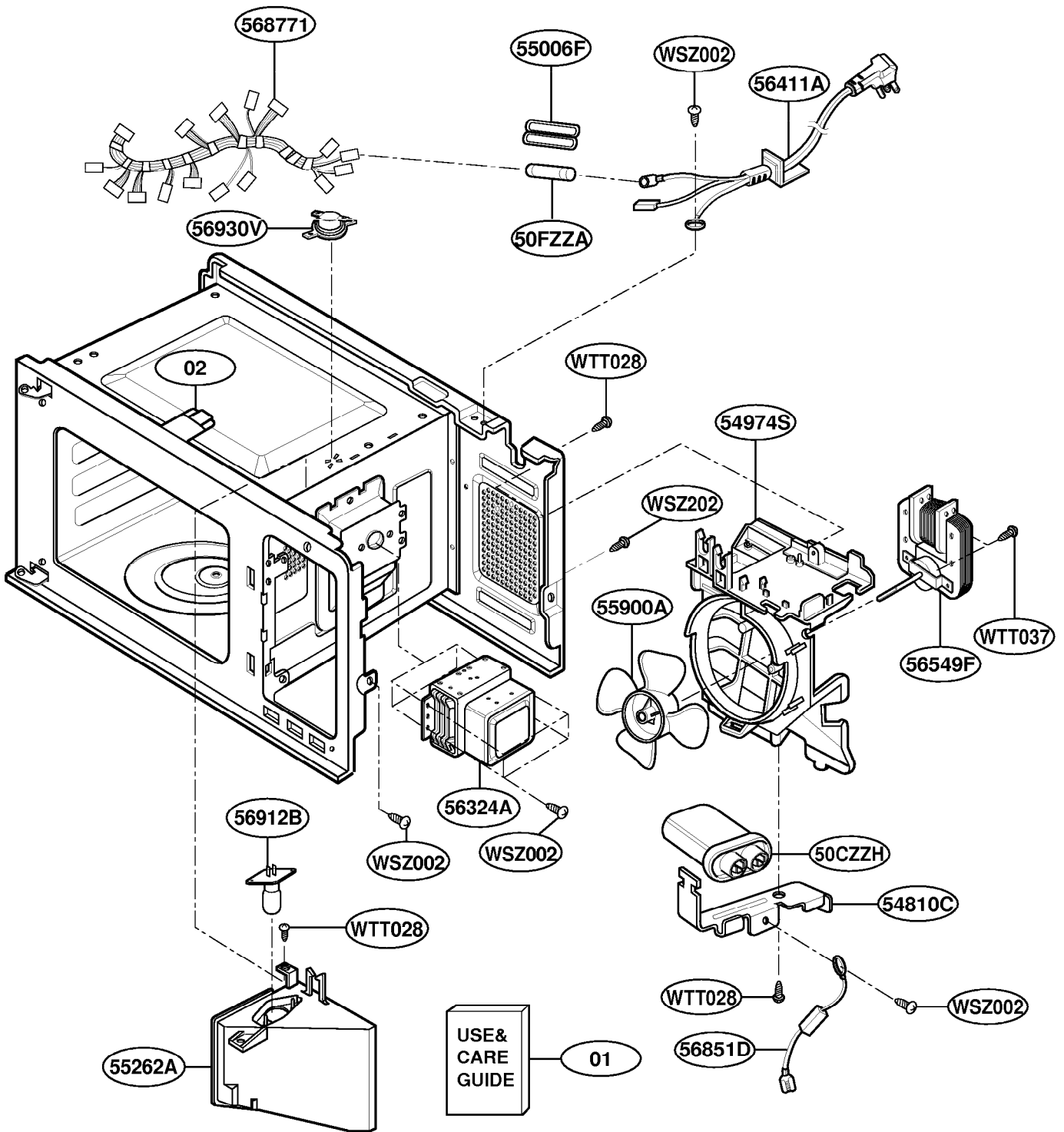
LATCH BOARD PARTS

MT4145SK



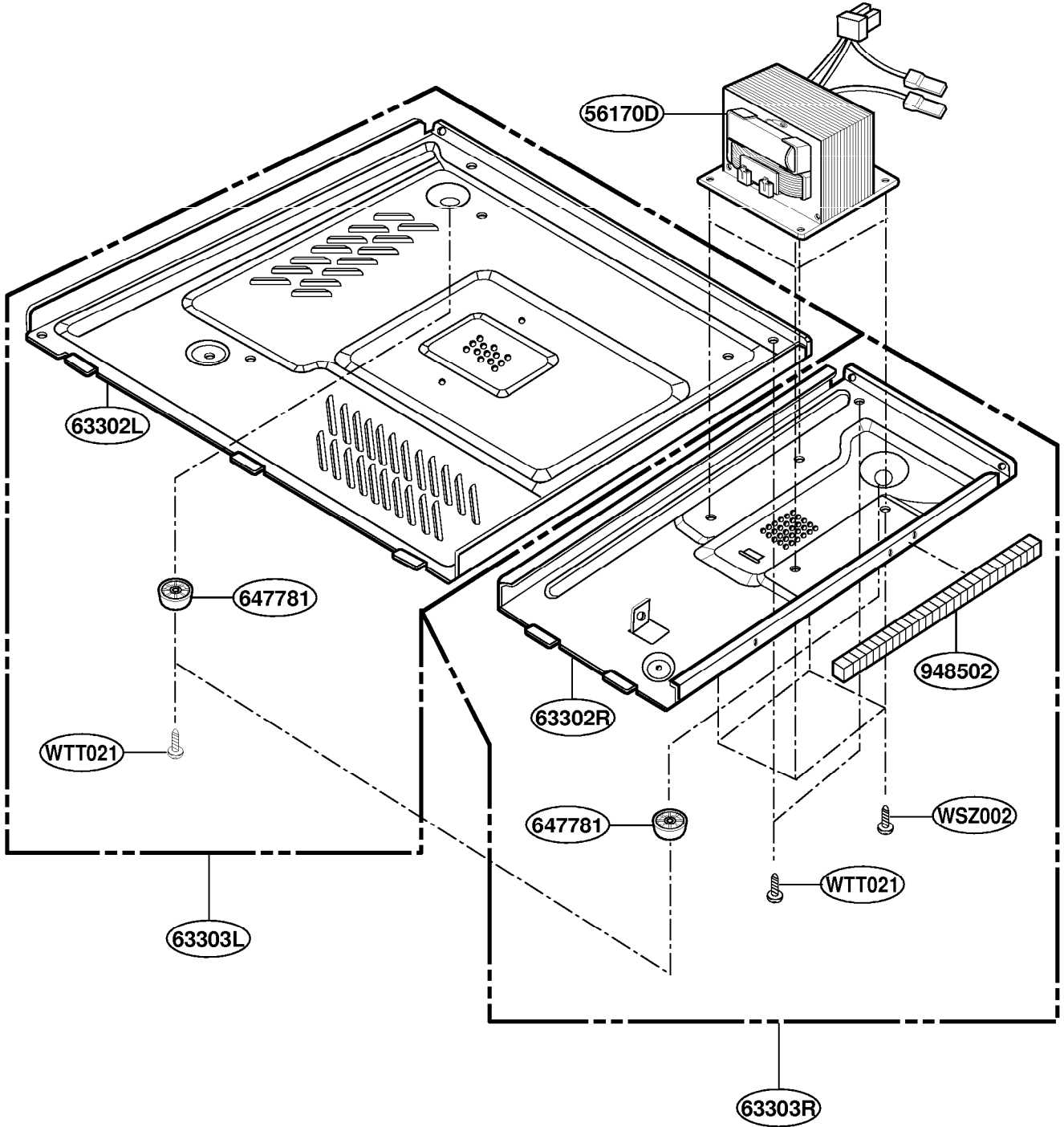
INTERIOR PARTS

MT4145SK



BASE PLATE PARTS

MT4145SK



SENSOR PARTS

MT4145SK

