

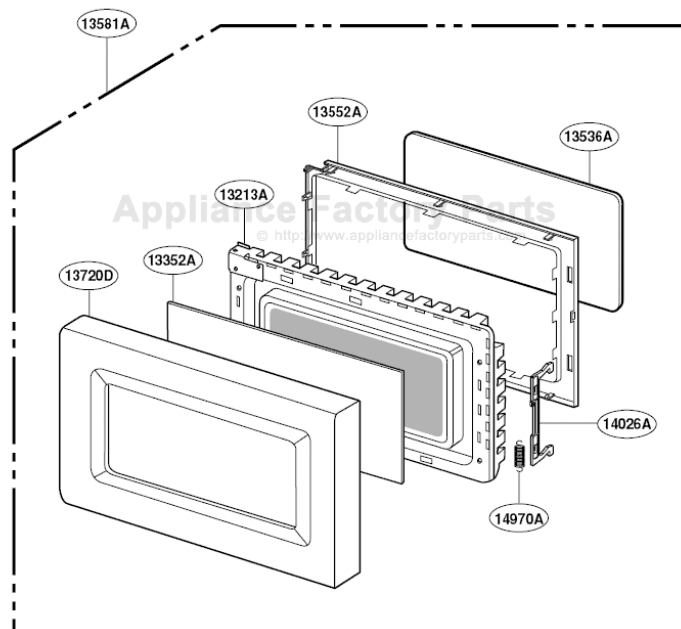
This Owner's Manual is provided and hosted by Appliance Factory Parts.



WHIRLPOOL MT4210SLQ Owner's Manual

[Shop genuine replacement parts for WHIRLPOOL
MT4210SLQ](#)

DOOR PARTS
MODEL: MT4210SK



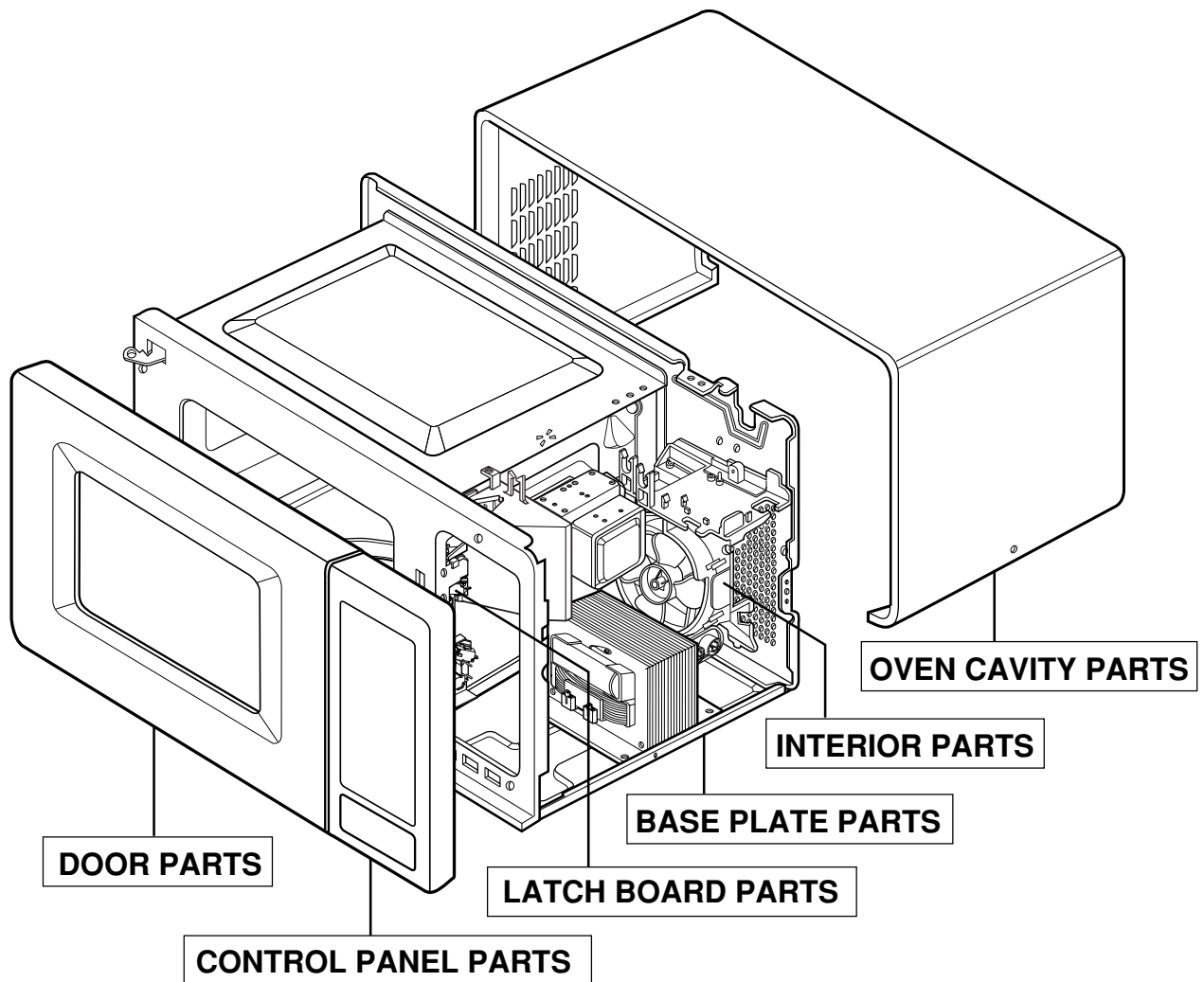
[Find Your WHIRLPOOL Microwave Parts - Select From 1350 Models](#)

----- Manual continues below -----

EXPLODED VIEW

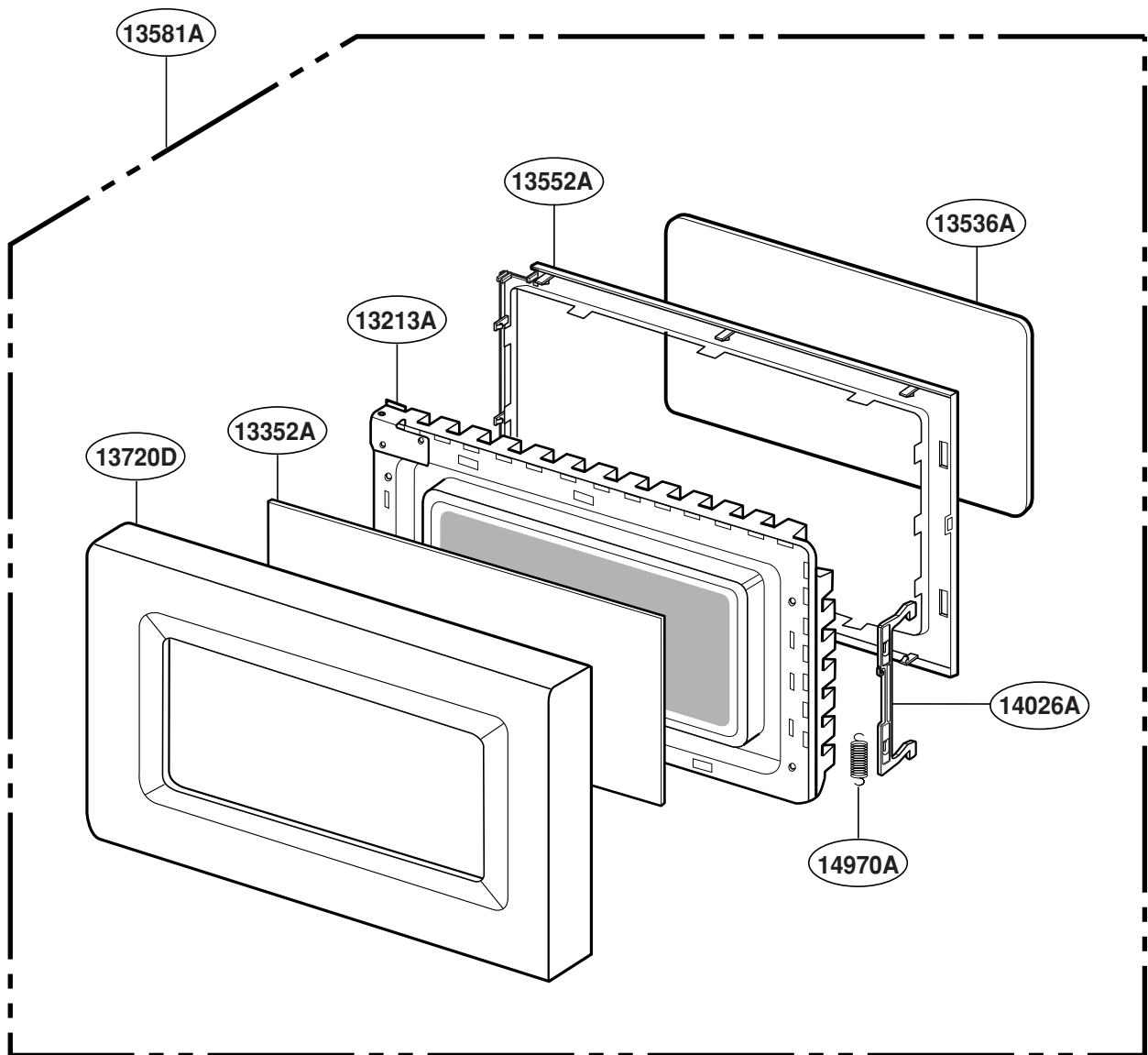
INTRODUCTION

MODEL: MT4210SK



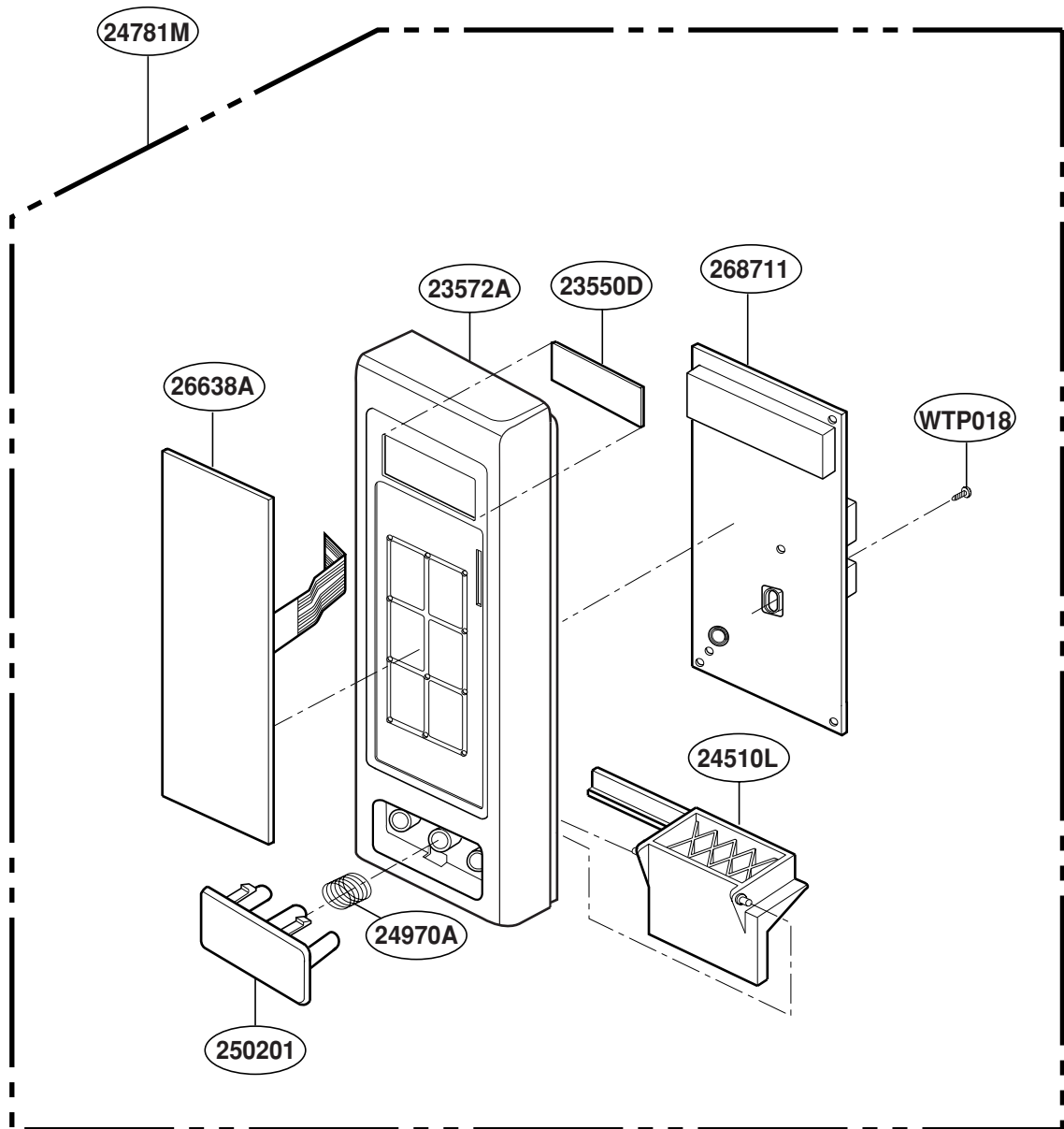
DOOR PARTS

MODEL: MT4210SK



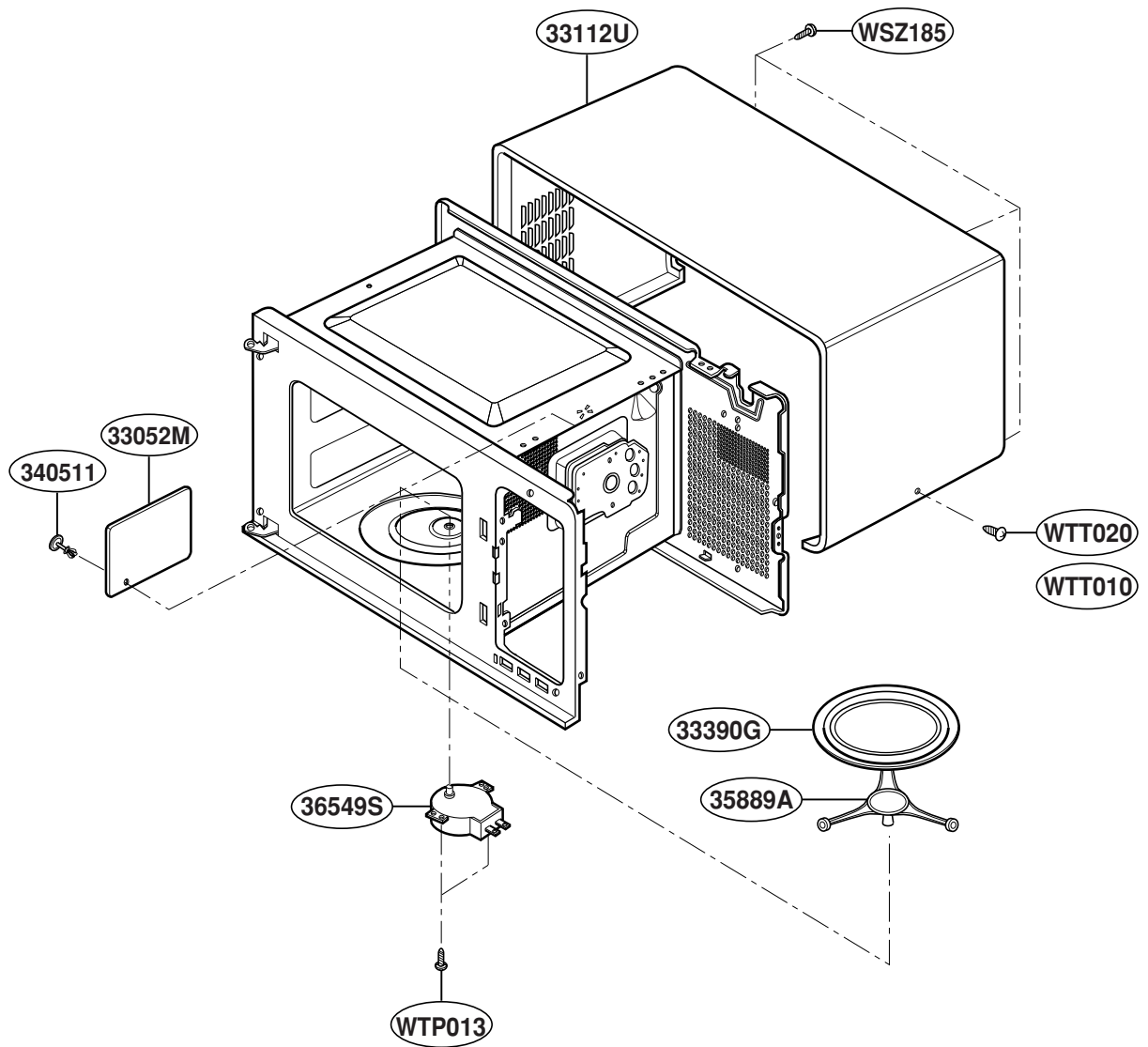
CONTROLLER PARTS

MODEL: MT4210SK



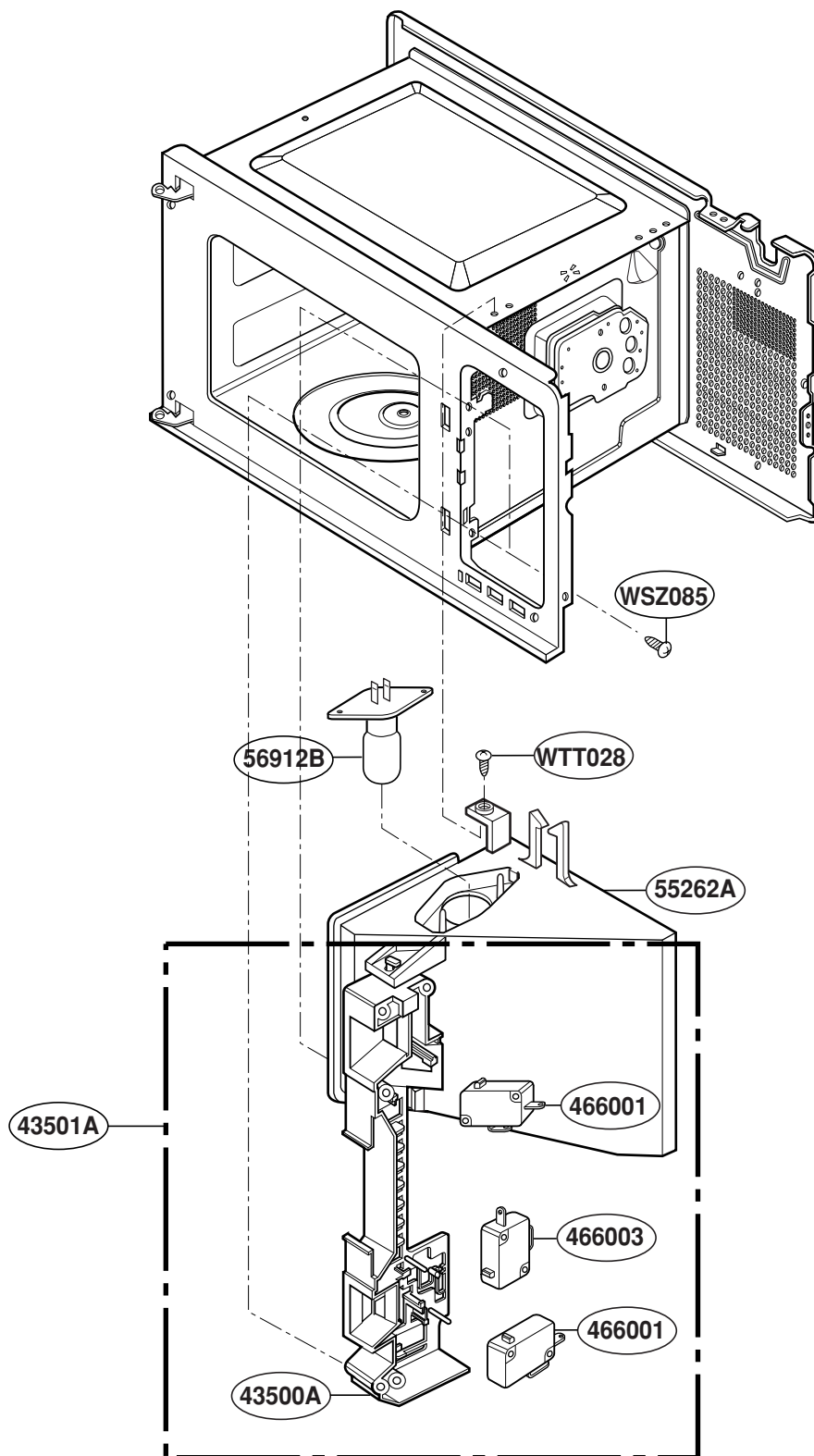
OVEN CAVITY PARTS

MODEL: MT4210SK



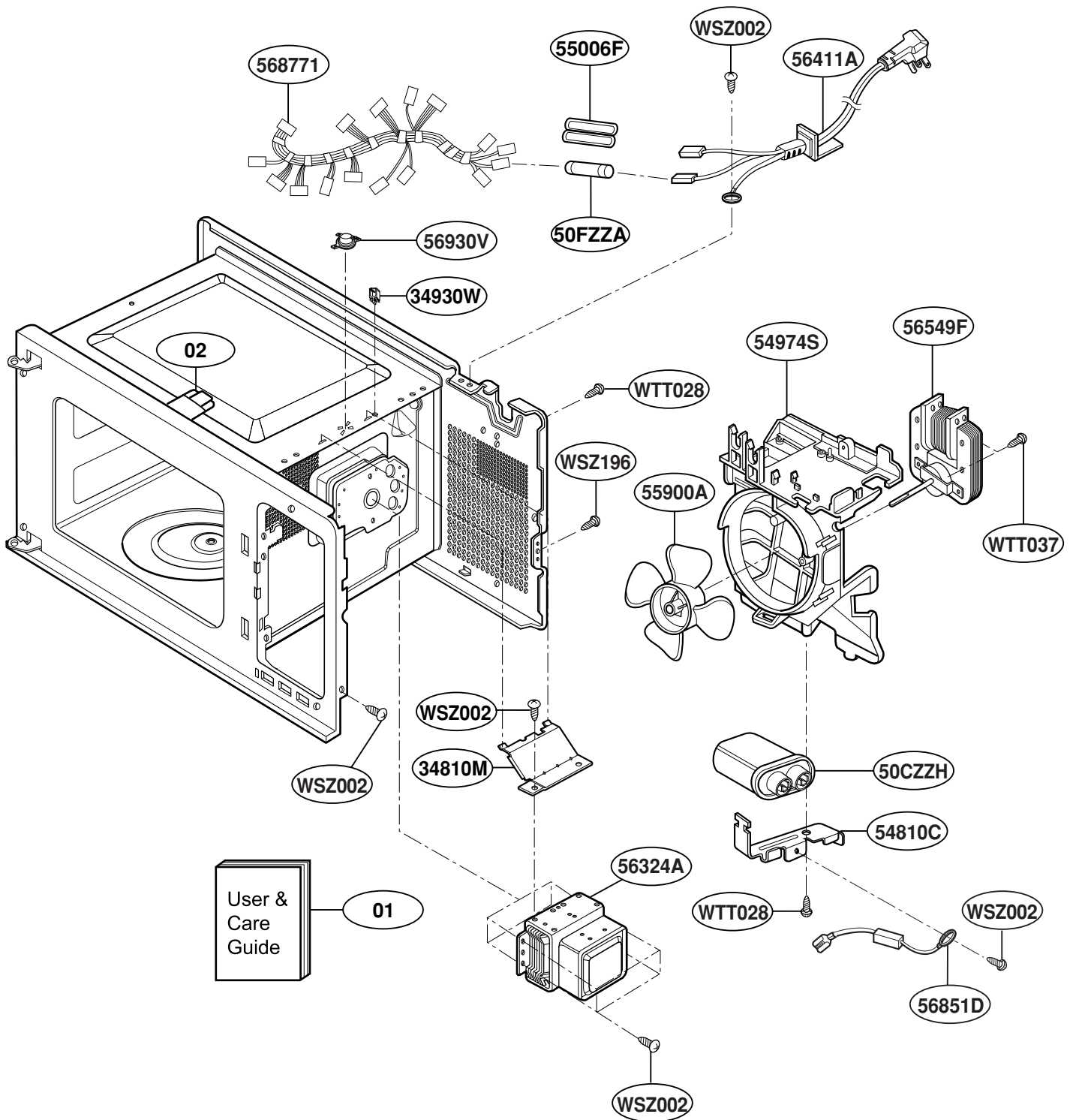
LATCH BOARD PARTS

MODEL: MT4210SK



INTERIOR PARTS

MODEL: MT4210SK



BASE PLATE PARTS

MODEL: MT4210SK

