

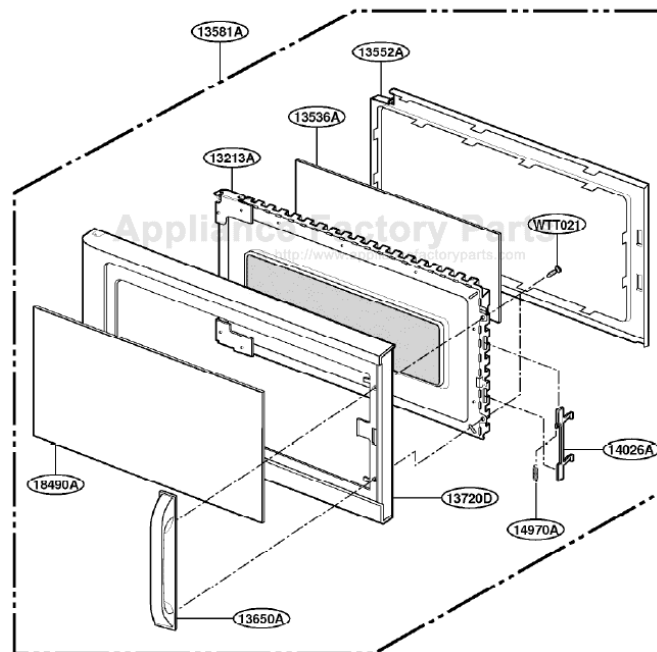
This Owner's Manual is provided and hosted by [Appliance Factory Parts](http://ApplianceFactoryParts.com).



# GOLDSTAR MV-1515W Owner's Manual

[Shop genuine replacement parts for GOLDSTAR  
MV-1515W](#)

## DOOR PARTS



[Find Your GOLDSTAR Microwave Parts - Select From 234 Models](#)

----- Manual continues below -----

# SCHEMATIC DIAGRAM OF P.C.B

