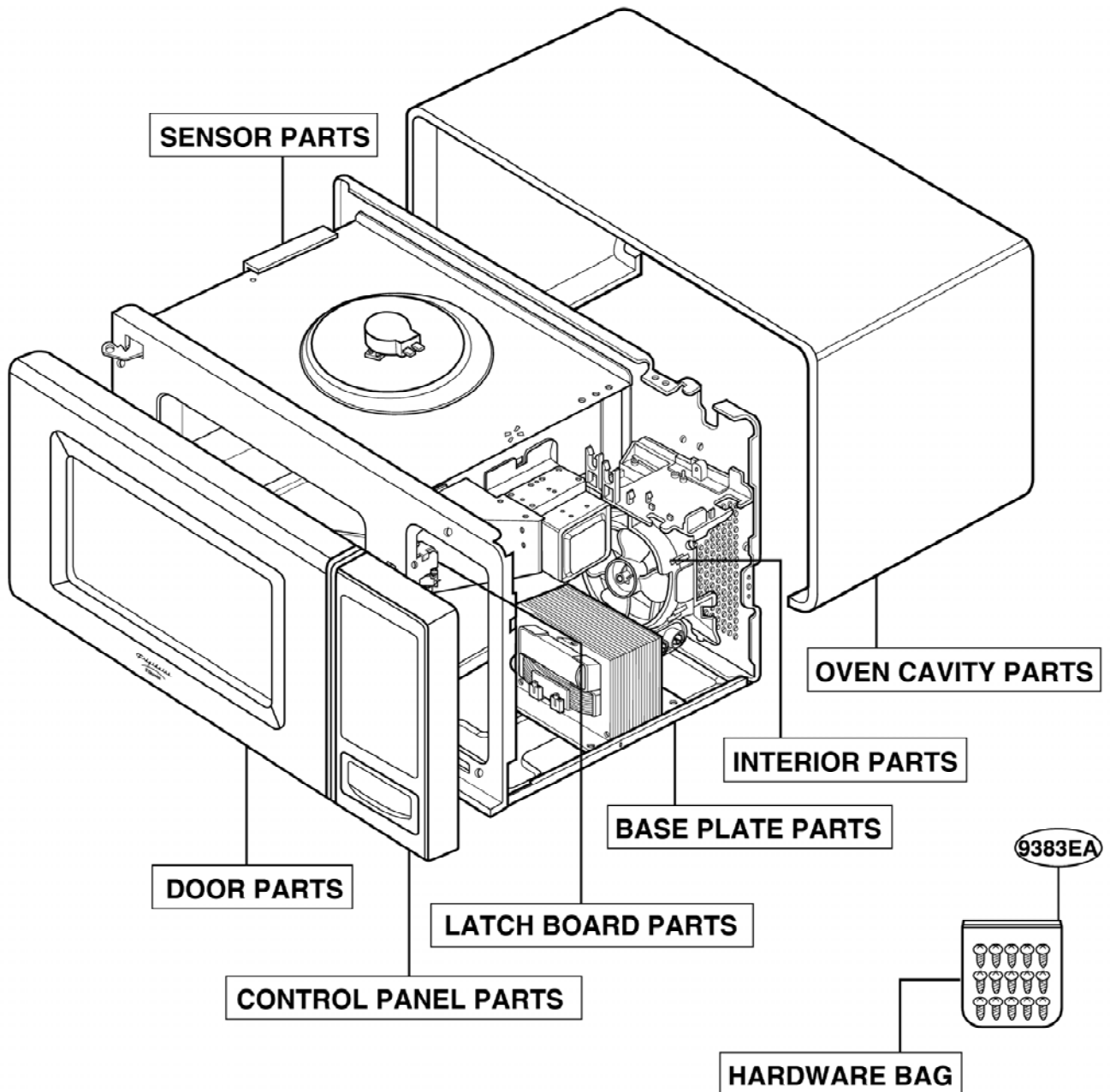


EXPLODED VIEW

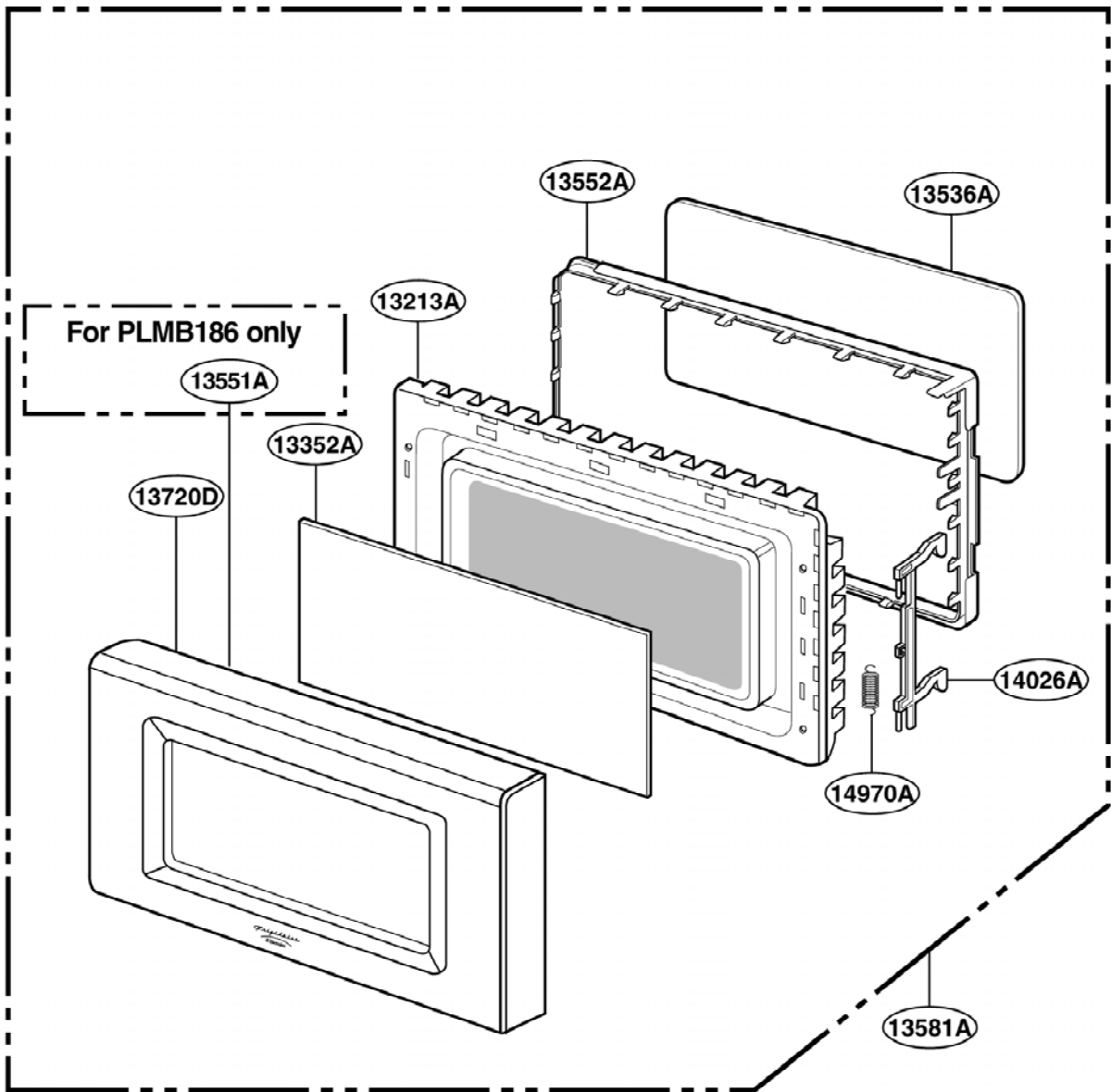
INTRODUCTION

GLMB186

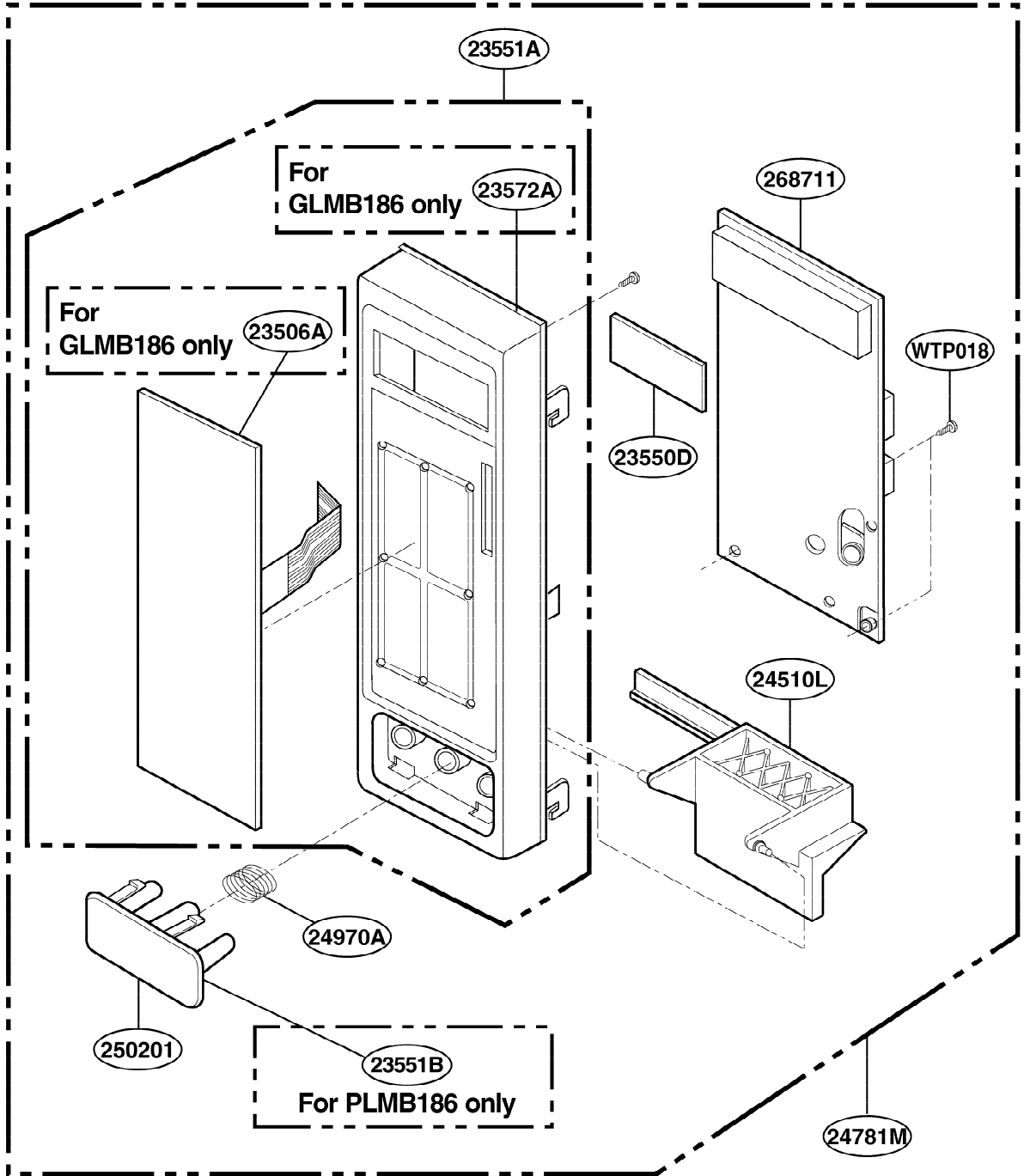
PLMB186



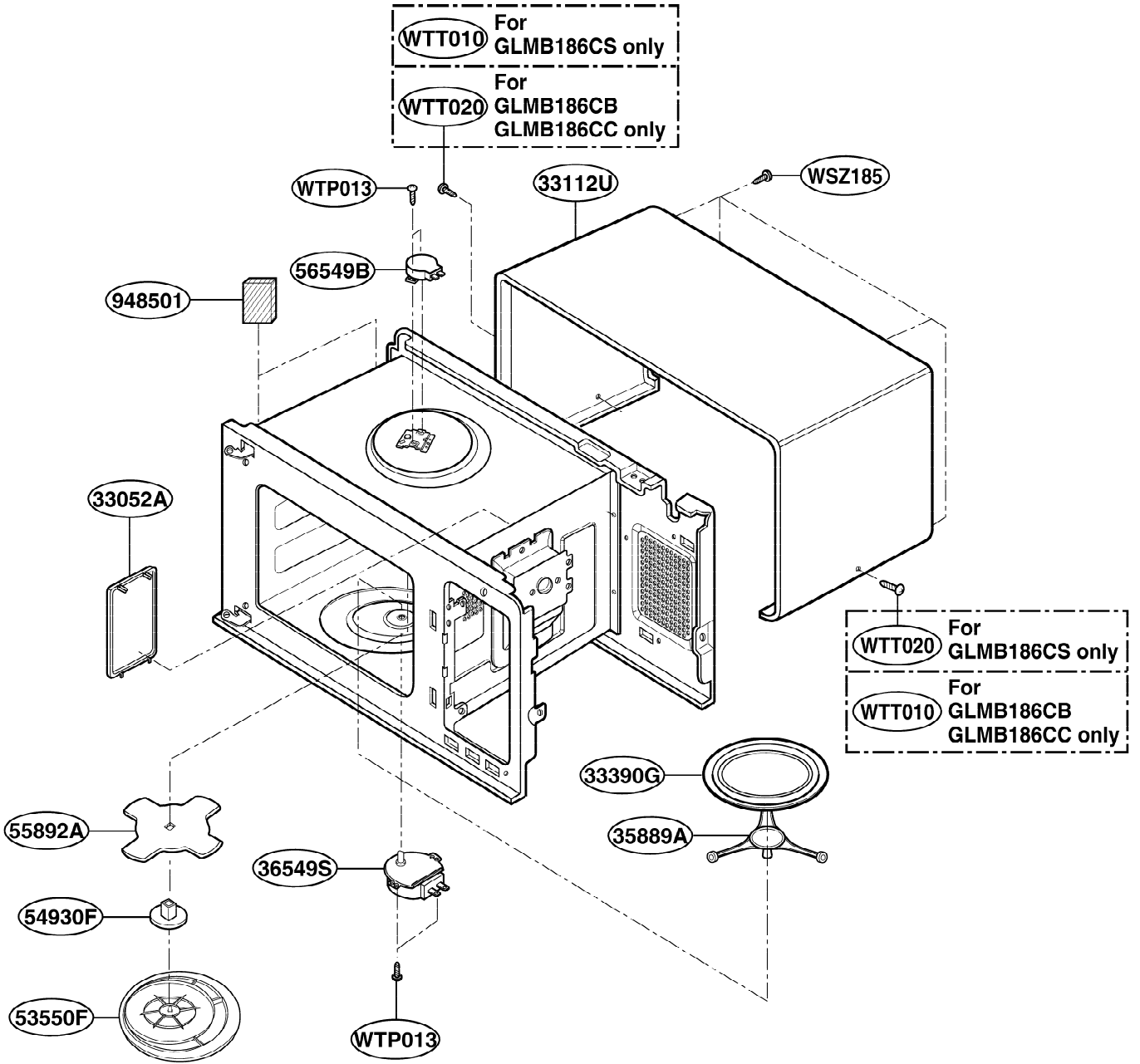
DOOR PARTS



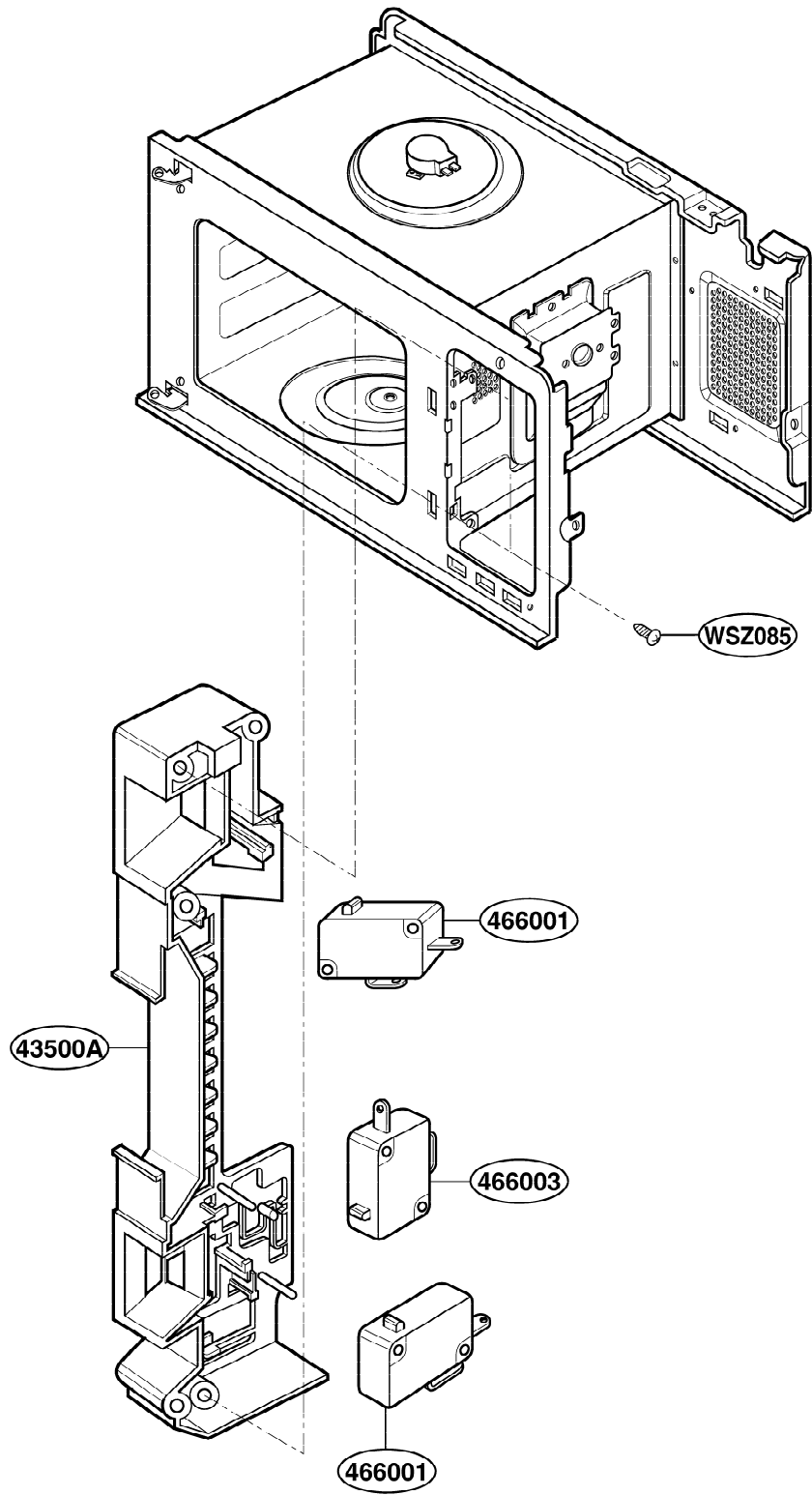
CONTROL PANEL PARTS



OVEN CAVITY PARTS



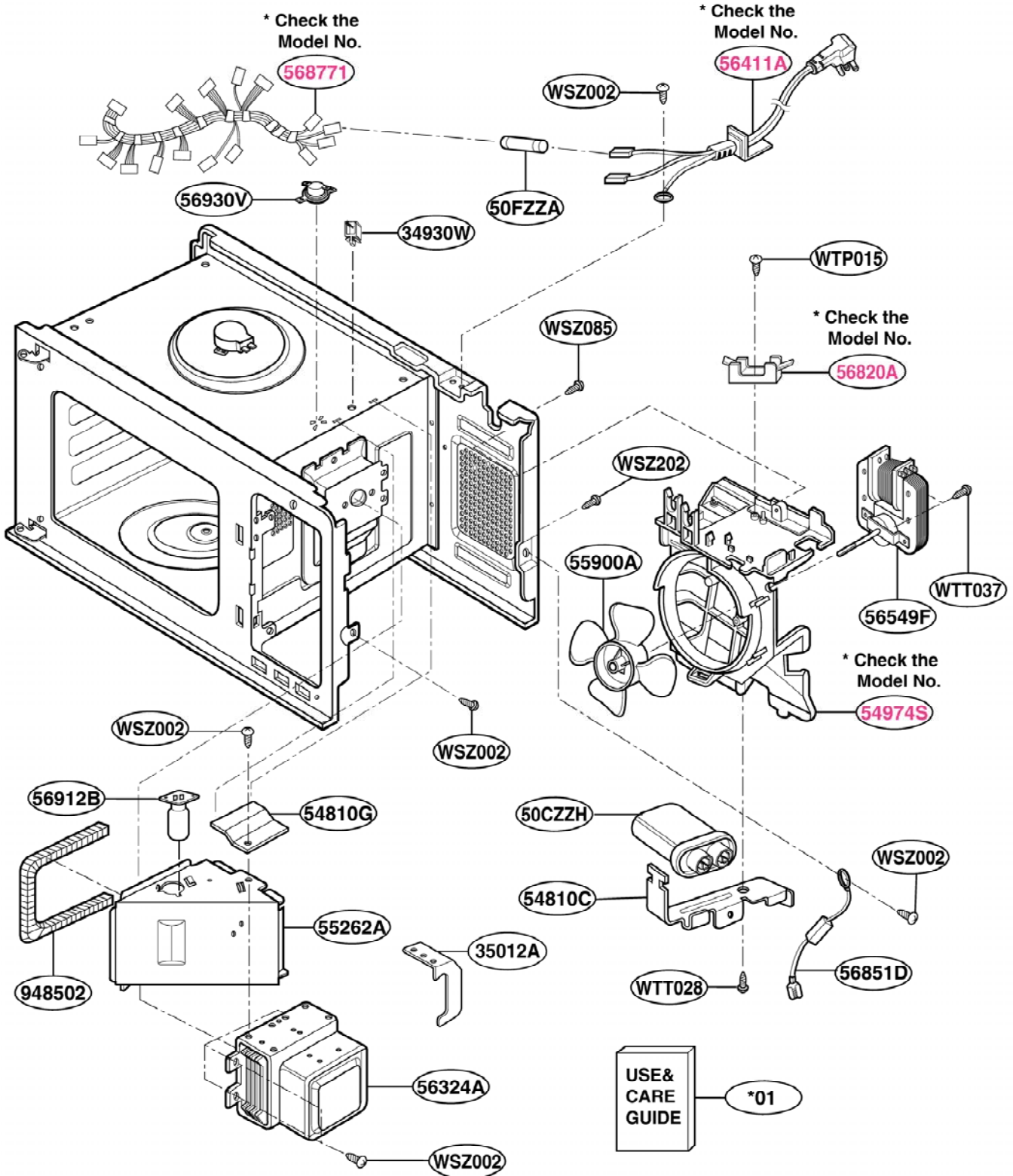
LATCH BOARD PARTS



INTERIOR PARTS (I)

Model: GLMB186CS C
GLMB186CB C
PLMB186CC C

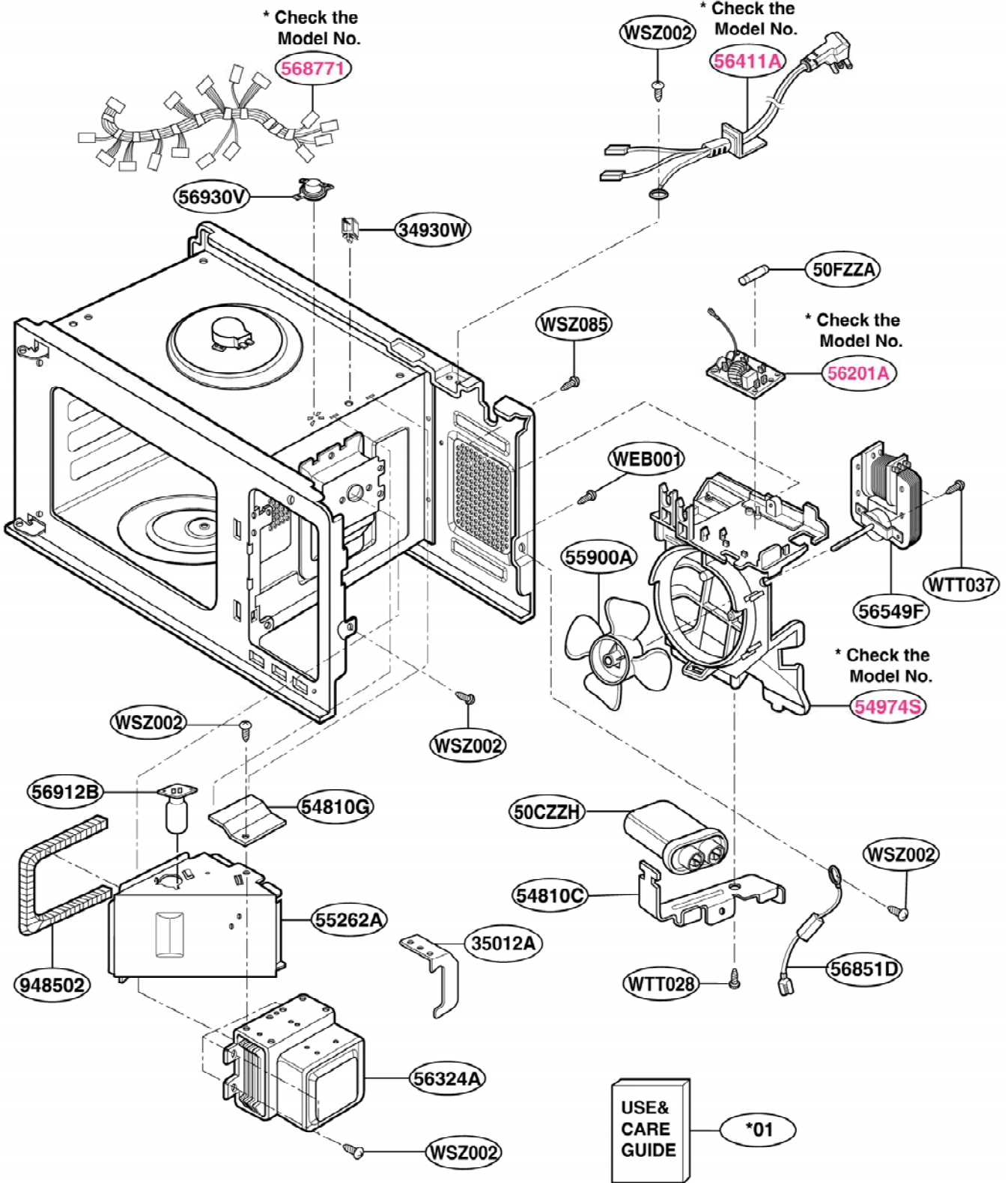
Check the rating label of **Model** and order SVC parts according to the **Model No.**



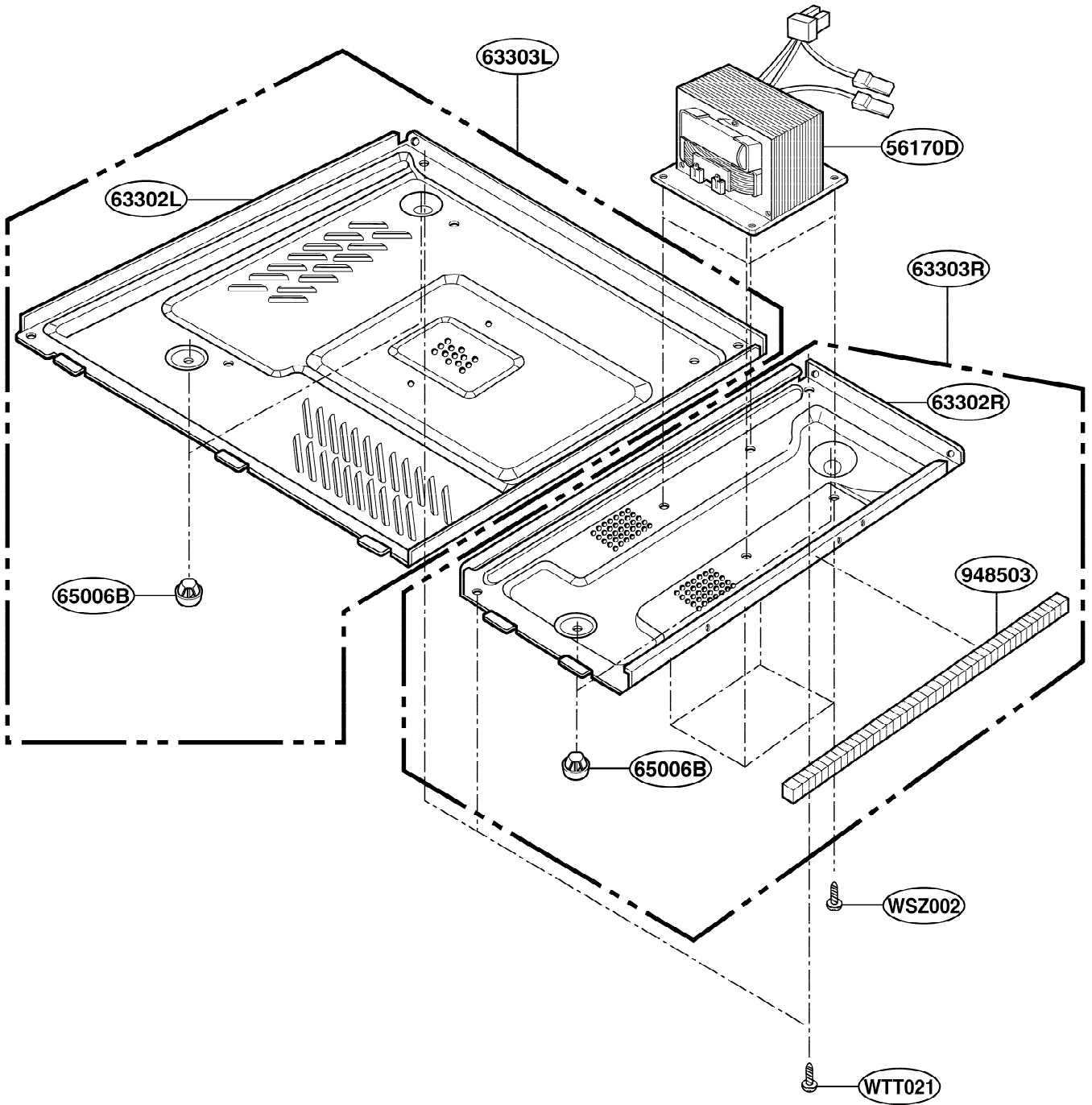
INTERIOR PARTS (II)

Model: GLMB186CS D
GLMB186CB D
PLMB186CC D

Check the rating label of **Model** and order SVC parts according to the **Model No.**



BASE PLATE PARTS



SENSOR PARTS

