



Internal Use Only

Website <http://biz.lgservice.com>

AIR PURIFIER

SERVICE MANUAL

MODEL: PS-S200CW
PS-S200RP

CAUTION

BEFORE SERVICING THE UNIT, READ THE SAFETY PRECAUTIONS IN THIS MANUAL.

P/NO : MFL37942805

February, 2008
Printed in Korea

CONTENTS

SECTION 1 PAGE 3~6	Safety instructions
SECTION 2 PAGE 7	Logics
SECTION 3 PAGE 8	Major Specifications of each Model
SECTION 4 PAGE 9~14	Operations/Functions Manual
SECTION 5 PAGE 15~17	Main Components Disassemble/Assemble and Repair Instruction
SECTION 6 PAGE 18	Electric diagram
SECTION 7 PAGE 19~21	Troubleshooting and inspection direction
SECTION 8 PAGE 22~23	PCB Circuit Diagram/Parts Layout
SECTION 9 PAGE 24~26	Exploded View/ Svc Components inventory

1 Safety instructions

For your safety, the information in this manual must be followed to minimize the risk of fire or explosion, electric shock, or to prevent property damage, personal injury, or death.



This symbol will alert you to any product detail or operation that could lead to a safety hazard if the instructions in the manual are not followed properly.



Warning : If not followed, it can cause death or major injury to the user.



Caution : This symbol will alert you to the possibility of improper use that may result in damage. Read instructions to avoid damage or injury.

This appliance has a polarized plug(one blade is wider than the other). To reduce the risk of electric shock, this plug is intended to fit in a polarized outlet only one way. If the plug does not fit fully in the outlet, reverse the plug. If it still does not fit, contact a qualified electrician. Do not attempt to defeat this safety feature.



Warning

When Installation ●

- If the power cord becomes worn or damaged, the cord should only be replaced by a qualified service technician using genuine replacement parts.
- Do not plug other appliances into the same outlet. Overloading of any outlet can cause a fire or create an electrical shock hazard.
- Do not remove the round grounding plug prong from the plug.
- Do not operate this or any electrical appliance when you smell gas.
- Do not operate with wet hands or in a damp environment.
- Do not disassemble or modify the air purifier or the power cord.
- Do not use this or any appliance near flammable gases or liquids, liquids or other combustibles such as gasoline, benzene, thinner, etc.
- If you hear abnormal sounds or smell smoke, immediately unplug your unit and the unit checked by a qualified service technician.
- Make sure the unit and cord are positioned where it does not create a tipping hazard. Do not roll heavy furniture over the top of the cord.
- Do not use near open flames.
- Keep this product out of the direct ray of the sun or other heat sources. Do not use the unit near water sources that could allow moisture to enter the unit. Overheating and/or water infiltration could lead to a fire or a shock hazard and could result in failure to the product.

1 Safety instructions

Operation ●

- Make sure the power cord is plugged firmly and completely into the outlet.
- Do not operate with wet hands.
- If the power cord ever becomes frayed or damaged, do not attempt to repair. The cord should be replaced by a qualified technician.
- Never pull the power plug away from the outlet by pulling on the wire. Always grasp the cord by the receptacle end.
- Do not install a place where there are much industrial Oil dust or metallic dust. It may cause fire and failure of product.
- When the power code is damaged, it should be repaired by the qualified person to prevent any risk. Otherwise, it may cause electric shock, fire or failure of product.
- Never pour or allow water to run onto or into the unit. It could damage internal components and create a shock and fire hazard.
- Keep objects such as curtains away from the air opening in the unit. The openings must be free from obstruction for the unit to work efficiently.
- Do not run power cords under carpeting or other coverings which could fray the cord and expose the wires. Frayed cords are a shock and fire hazard.
- Do not place the power cord or unit near a heater, radiator, or any other heat source.
- This unit is not designed for use by children. Children should be supervised to ensure that they do not play with or climb on the unit.
- Do not use your unit to remove hair spray and insecticides from a room. These chemicals not only clog the filters but could damage the unit.
- Secure the unit to prevent it from rolling on smooth floors. When moving the unit, insure that the power cord is unplugged from the wall.
- Do not move the unit by pulling or pushing on the front panel.
- Do not use the top of the unit for storage. Keep liquids away from the top of the unit.
- Other than cleaning and replacing the filters, there are no user replaceable components in your unit. Serve of this should be referred to a qualified service technician.
- Do not apply pressure to the front panel of the unit.
- Keep hands and objects away from the air inlet and outlet.
- Do not clean the unit by submerging in water. Water in the unit will damage the insulation and create an electrical shock hazard. If water enters the unit, unplug immediately and contact Customer Service.

1

Safety instructions



Caution

When Installation ●

- **When using the unit, maintain a distance of at least 3 feet between the unit and any television or audio product.**
- **Avoid installing the unit in direct sunlight and never operate the unit near or around open flames or other heat sources.**
- **Never use your unit to remove toxic gasses such as Carbon Monoxide, Natural or Liquefied Petroleum Gasses.**
- **Do not use your unit to remove food odors while cooking. Airborne oils that are released during cooking will clog the filters. Wait until cooking is complete before operating your unit.**
- **Install the unit on a stable, flat surface.**
- **Maintain a minimum distance of 5 feet from any heat producing light source. For proper ventilation, maintain a distance of 6 inches or more from a wall.**
- **Do not use except AC 120V.**
Otherwise, it may cause fire or electrical shock.
- **This unit is not designed to remove combustion by products such as those produced by open flame burners. Toxic substances such as carbon monoxide should be ventilated from the room by either using an exhaust fan or by opening a window.**
- **Your unit is not designed to be used in moving vehicles such as cars, RV's or boats.**

1

Safety instructions

Operation ●

- To prevent damage to plants or injury to pets, make sure they are not exposed to direct air flow from the unit. This unit is not intended to be used for the preservation of art objects or precision machinery.
- Clean with a soft cloth and mild detergent. Filter should be cleaned monthly.
- Do not start or stop operation by plugging or unplugging the power cord.
- Always turn off and unplug the unit when it will not be used for extended periods of time. This conserves energy and reduces the chance of accidents.
- Clean filters on a regular basis. Improper filter maintenance can cause premature failure of the product.
- Warn the user to unplug or disconnect the appliance from the power supply before servicing.
- A damaged filter can create an electrical hazard.
- If a humidifier is used in the same room as your unit, keep the humidifier a safe distance away from the humidifier could clog the filters and create an electrical shock hazard.
- Do not use your unit to remove food odors while cooking. Airborne oils that are released during cooking will clog the filters. Wait until cooking is completed before operating your unit.
- Do not open the front panel during the operation of the product. Opening the front panel stops the operation.
- After washing your filters, make sure they are completely dry before reinserting them into the unit. Do not run your unit with wet filters.
- Keep flammable products away from your unit. Failure to keep flammable products away from your unit could lead to premature failure or create a fire hazard.

Terminology

1. VOCs (Volatile organic compounds)

(1) What is VOCs?

Carcinogenic substances that cause allergies or respiratory ailments, such as a paint, adhesives, spray, construction materials, wax, carpet, and etc. Unlike the general perception that only cheap construction materials emit VOCs, high quality new constructions may also emit VOCs. It may stay remained in a closet or inside of furniture even after several years.

Filters Introduction

(1) Nano silver Pre-Filter

One filter performs antibiotic treatment, anti mold treatment, and dust removal, providing a purified air.

(2) Washable HEPA Filter

HEPA filter polluted by acarid deadbody, pollen, small dust and float mildew, animal bodyhair etc. can be washed.

(3) Washable Deodorization Filter

This filter was processed with activation treatment for stronger adsorption function (characteristic of charcoal). This deodorization filter has higher level of negative ion, minerals, far infrared rays generation ability than charcoal.

3

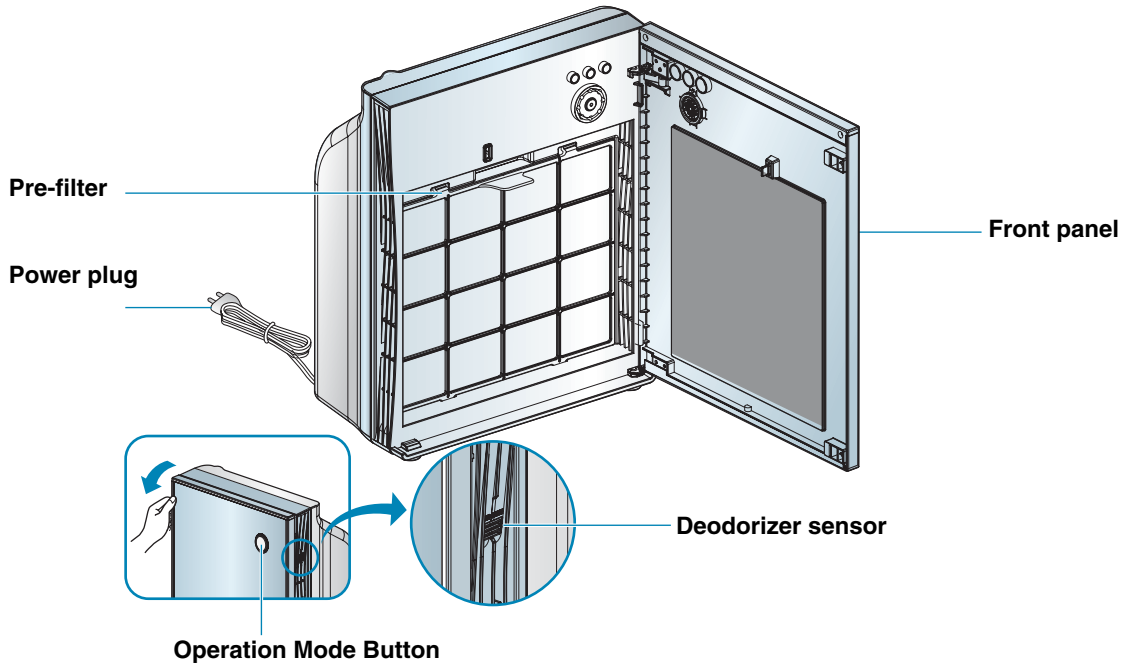
Major specifications on each model

Model name	PS-S200CW / PS-S200RP
Measurement(W×H×D)	372mm X 463mm X 199mm
Application Space	20m ²
Weight	7.2Kg
Power Supply	120 V ac 60 Hz
Color	Creamy White / Romantic Pink
Design	Easy design for convenient operation
Power usage	18W(Turbo)
Noise	Turbo(43dB)
Wind speed(CMM)	Turbo(2.82CMM)
Inhale system	side surface inhale system
Purifying system	Three dimension filter system
Major Filter System	Nano silver Pre-Filter - Washable HEPA Filter - Washable Deodorization Filter
Filter composition	Washable part
Sensor	Digital 1 Sensor(smell)
Display	Easy Picto display
Display Information	Purity level, Operation Mode
Operation Mode	Automatic, Turbo, Sleep
Wind Speed	Turbo-Strong-Weak

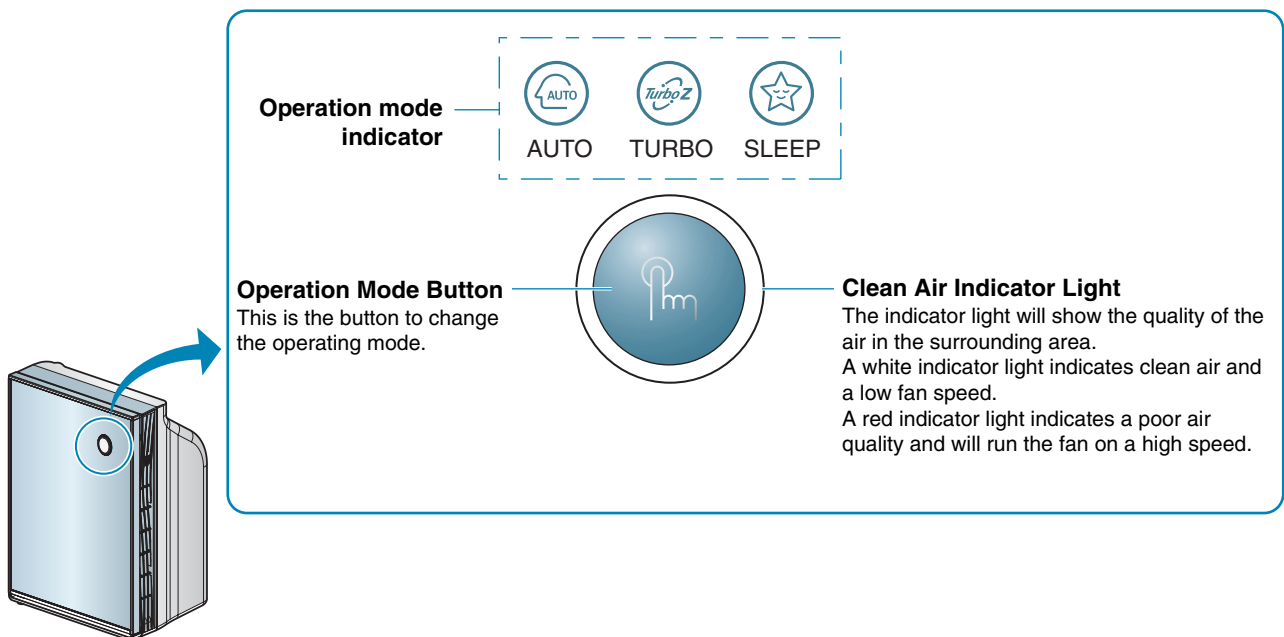
4 Operations/Functions Manual

Spare part Name

Mainframe

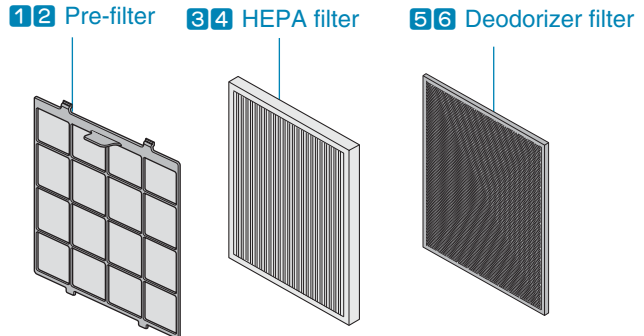


Display and Control Panel



4

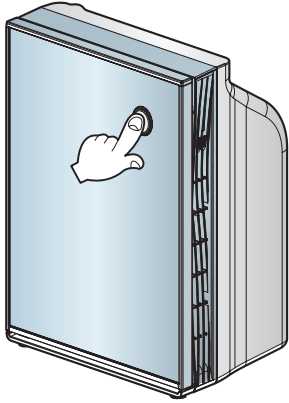
Operations/Functions Manual



Filter system (This is the introduction of only the filter part.)

Filter name	Function	Cleaning and replacement frequency
Nano silver antibacterial Pre-filter	<ul style="list-style-type: none"> 1 Nano silver antibacterial 2 Big dust removal filter <p>This filter enables 2 roles of antibacterial process and removal of large dust particles with only one filter to extend the washing frequency of the washable filter.</p>	Clean frequency of about 1 month
HEPA filter	<ul style="list-style-type: none"> 3 Nano silver antibacterial 4 Washable HEPA filter <p>The washable HEPA filter removes the minute dust particles including dead ticks, flower powder, cigarette smoke (particle), minute dust, minute particle, floating fungus, animal fur etc.</p>	Clean frequency of about 6 months
Deodorizer filter	<ul style="list-style-type: none"> 5 Antibacterial mesh 6 Washable deodorizer filter <p>This removes the smell of animal fur, NO₄, bathroom smell, alkali & acid smell, volatile oil compound (VOCs).</p>	Clean frequency of about 6 months

Operation Mode



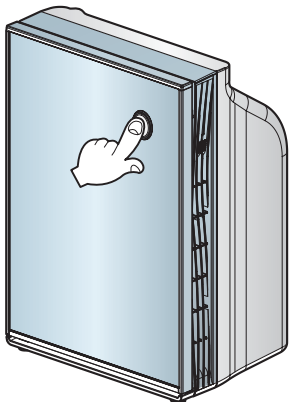
Air Purifying Operation Purify Indoor Air.

■ Press Operation Mode Button

- Turns the unit on and off. Press once to turn on, again to turn off.
- A confirmation tone will sound to indicate that the unit is powering on or turning off. The unit will also produce a tone when the unit is first plugged in.

What is “Start-up Operation”?

When first turned on, the unit will go through a Start-up function which prepares the unit for operation. During this two minutes period, the display will fluctuate to indicate that the unit is sensing the air quality in the room.



Automatic Mode Air Purifier will automatically set the most appropriate Fan speed.

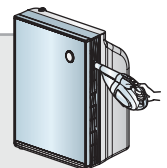
■ Select Auto Mode by pressing the Operation Mode button.

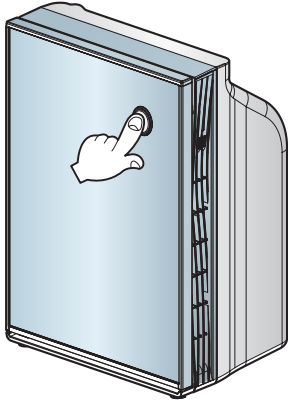
- The Operation Mode button will switch from one setting to the next by repeatedly pressing the Operation Mode button.
AUTO → TURBO → SLEEP → STOP
- A white indicator light indicates clean air and a low fan speed.
A red indicator light indicates a poor air quality and will run the fan on a high speed.
- The fan level will automatically adjust to the air quality of the room.



How to clean the odor sensor

- To clean the odor sensor, use a soft brush or vacuum cleaner every 6 months.
- Do not allow dirt to fall back into the unit.





Turbo Mode The air purifier operates at maximum fan level.

■ **Select Turbo Mode by pressing the Operation Mode button.**

- When you press the Operation Mode button, it will switch in the order of AUTO → TURBO → SLEEP → STOP repeatedly.



Sleep Mode This provides a quiet indoor atmosphere during sleep.

■ **Select Sleep Mode by pressing the Operation Mode button.**

- When you press the Operation Mode button, it will switch in the order of AUTO → TURBO → SLEEP → STOP repeatedly.
- The cleanness lamp will be turned off after 3 seconds of sleep operation.

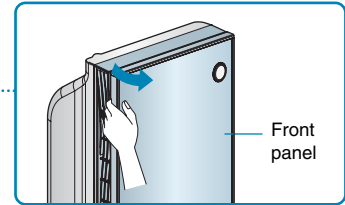


4 Operations/Functions Manual

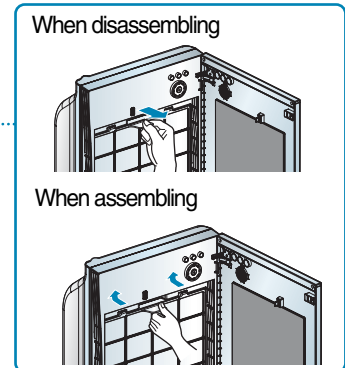
Filter Cleaning

- The prefilter should be cleaned on a monthly basis.

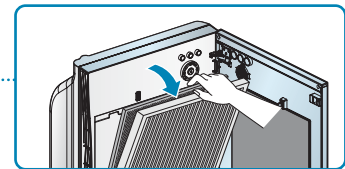
- 1 Turn unit off and unplug before cleaning. Open the front panel.**



- 2 Remove the filter from the mainframe by pulling the handle near the center of the filter. Align latches into the grooves to reinstall.**

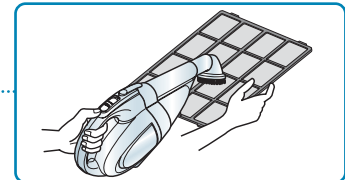


- 3 Pull the HEPA filter and deodorizer filter to the front to separate from the main unit.**

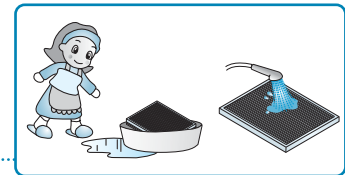


- 4 Clean the Pre-filter with a vacuum cleaner or a soft brush. (Clean the filter every a month.)**

Clean the Pre-filter with a vacuum cleaner or a soft brush, and when the contamination is severe, use a neutral detergent and water to clean it off.



- 5 To clean both the HEPA filter and the Deodorizing filter, soak the filter in warm water with a mild detergent for 1 hour. Remove particles from the filter by shaking the water from the filter. Rinse the filter with warm water. Let air dry before placing filters back in the unit.**



Filter type	Cleaning frequency
Pre-filter	Clean frequency of about 1 month
Washable HEPA filter	Clean frequency of about 6 months
Washable deodorizer filter	Clean frequency of about 6 months



Caution

- For your safety, turn off and unplug the air purifier before cleaning.
- Allow the filters to completely dry before using.
- Utilizing the unit before all the filters are completely dry may result in the odors from the unit.
- Replace filters when unable to remove all dirt on the filter.
- Do not rub filters with your hands.

Exterior clean and storage method

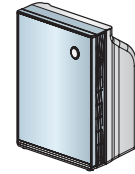
Exterior Cleaning Method

Wipe the exterior of the unit with a soft cloth using warm water and a mild detergent.



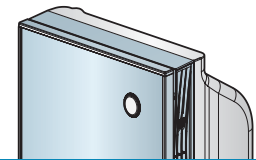
Caution

- Do not use harsh cleaners or very hot water. Do not wash in the dishwasher.
- Never pour water onto the unit; it could damage the internal components and create a shock and fire hazard.

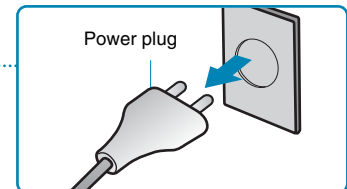


Storage

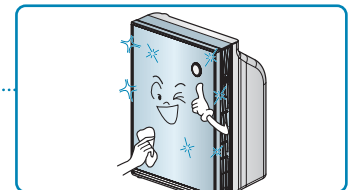
- 1 Operate the air cleaner for more than 1 hour on a clear day and then press the Operation Mode button to stop the operation.



- 2 Turn unit off and unplug power cord.



- 3 Clean and protect the unit's mainframe. Cover the unit while storing for an extended period of time.



Please read this before you disassemble

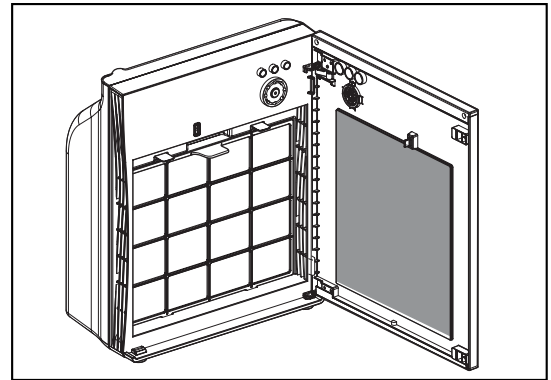
Please unplug the power before disassemble.

1. Most components are connected with bolts or mounted on the other parts. Please disassemble according to the instruction.
2. Please do not disassemble unless it is absolutely necessary. Do not disassemble any part that is not on the disassemble instruction.

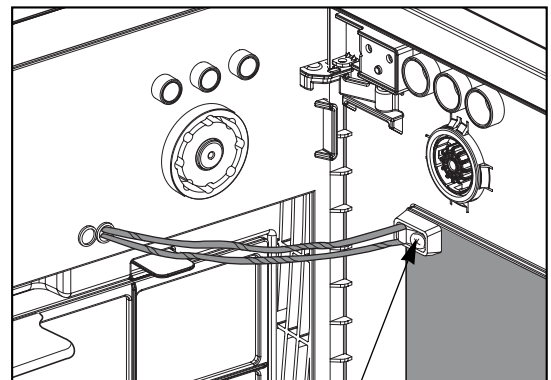
Major components Disassemble

Remove the Door Assembly

1. Open the door Assemble.

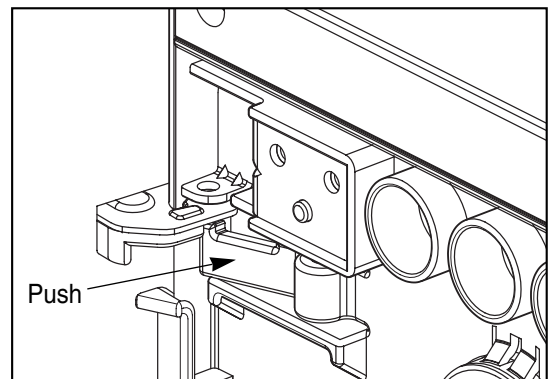


2. Loosen the screw (1 position).



Screw

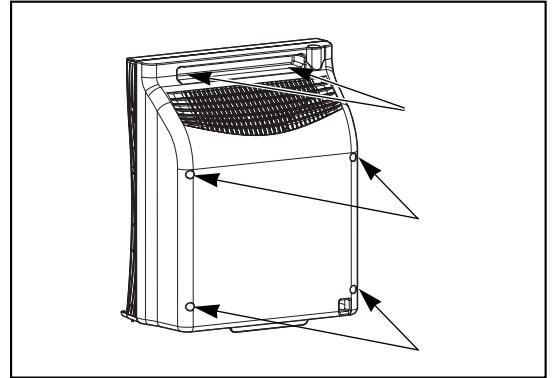
3. Push the Hook.
Remove the door assembly by pulling up.



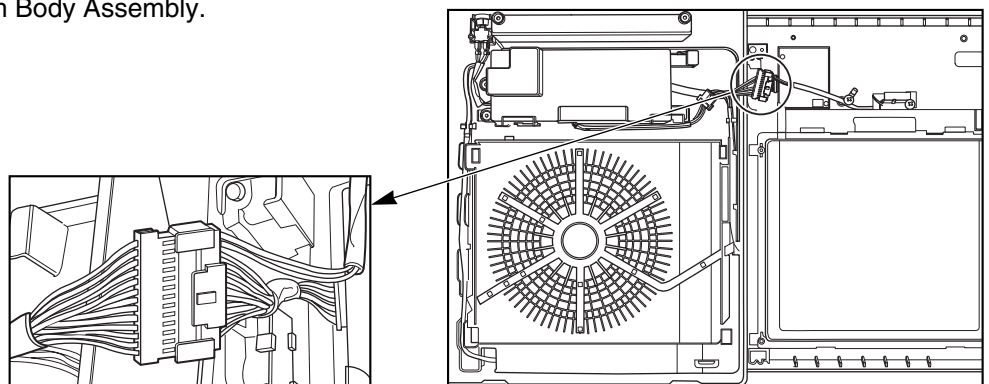
Push

Remove the Body Assembly.

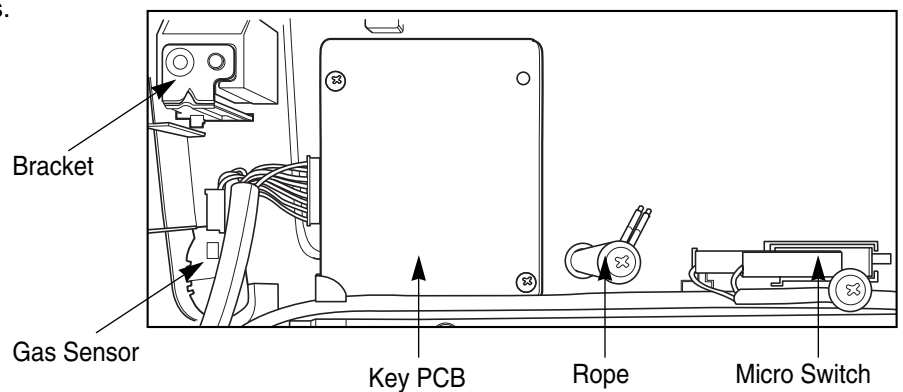
1. Please remove 6 screws from the Back Case using a Screw Driver(+).



2. Separate the Front Case from Body Assembly.
(Remove the Connector)



3. Replace remove the necessary parts.
(Key PCB, Micro Switch, Bracket...)



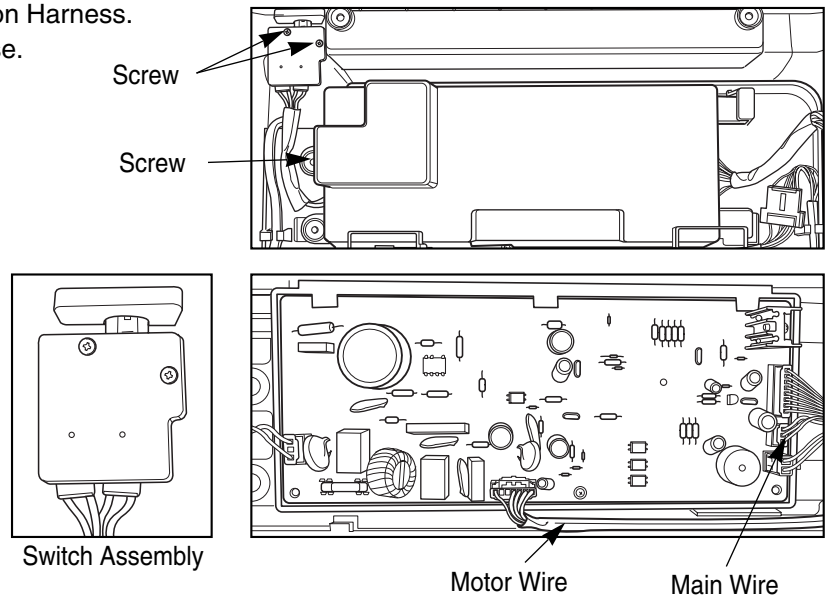
5

Major components Disassemble Assemble and Repair instruction

4. Removing a Main PCB, Switch Assembly on Harness.

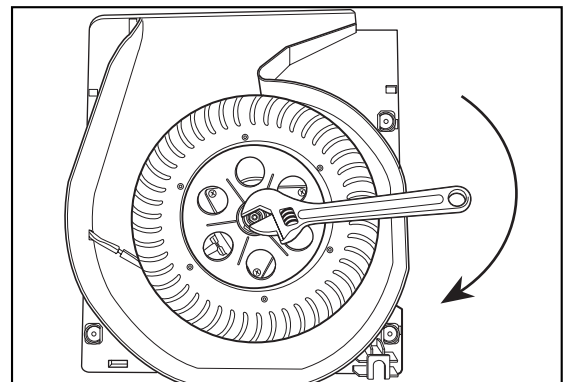
Separate Control Cover from the Rear Case.

- Remove 1 Screw
- Remove Switch Assembly
- Remove 2 Screw



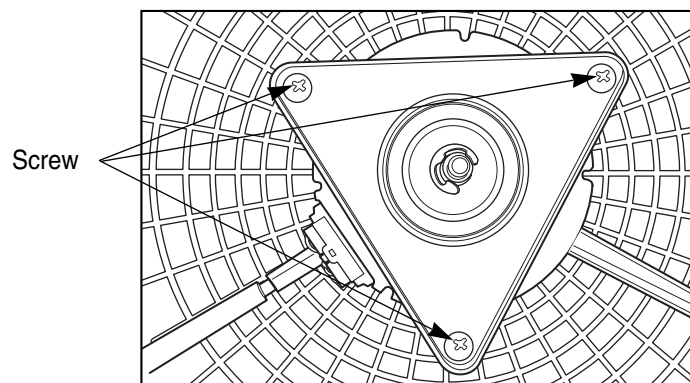
5. Removing a Fan

- Remove Nut using a wrench.
- (Turn it counter clockwise)



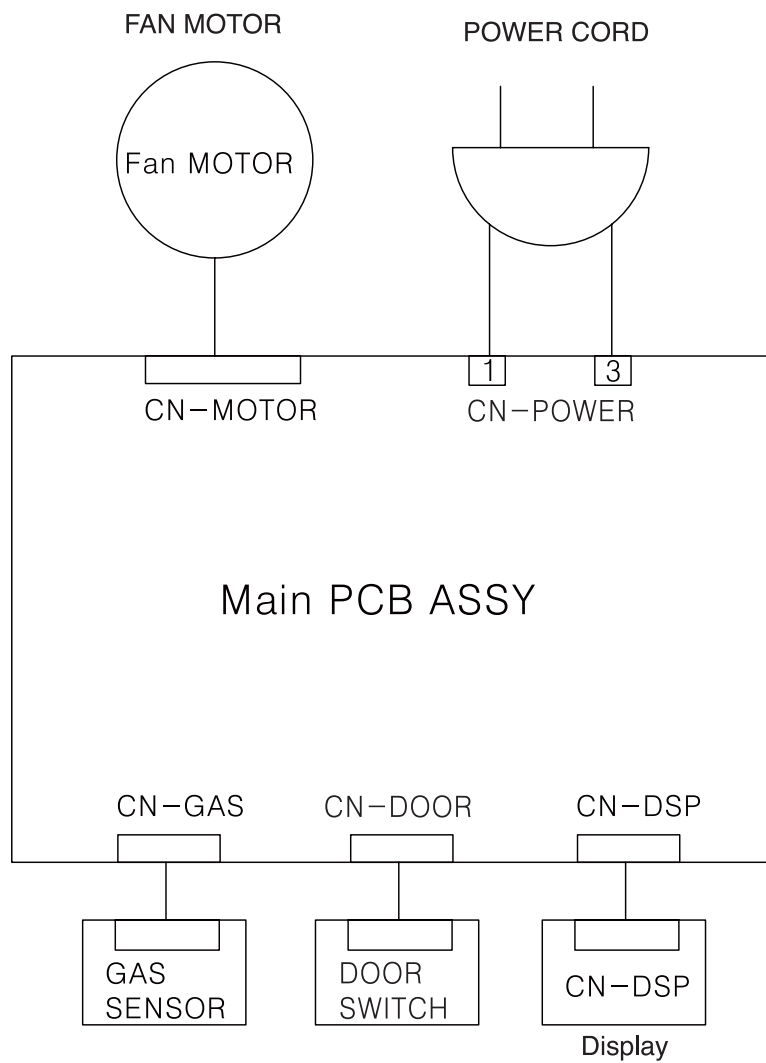
6. Removing a Motor

- Please remove 3 screws from the Motor Cover.
- Remove the motor cover.
- Take out Motor.



7. Assemble them in the reverse order of the disassembly.

6 Electric diagram

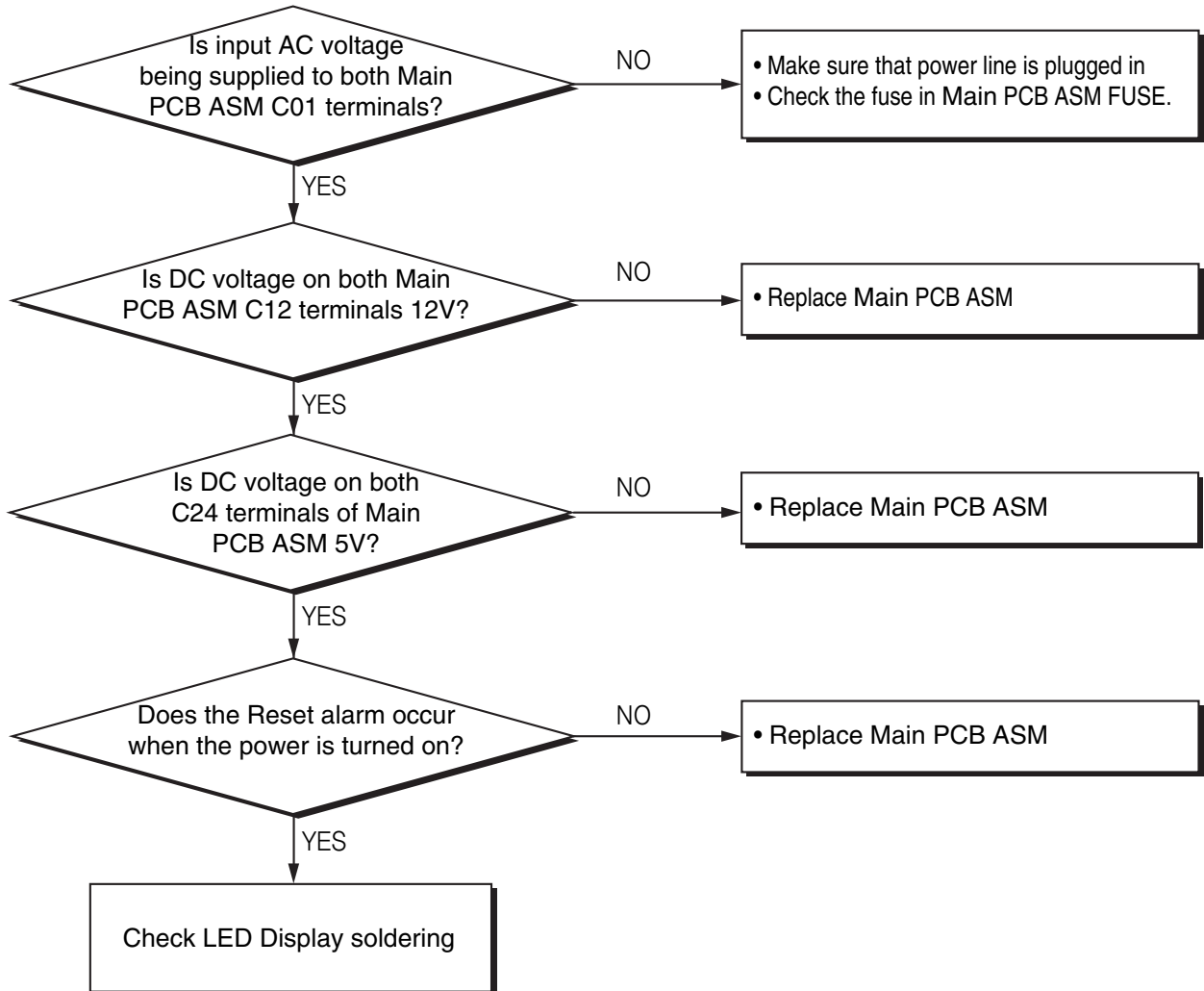


7

Troubleshooting and inspection direction

Please take a look at the panel arrangement and the circuit drawing.

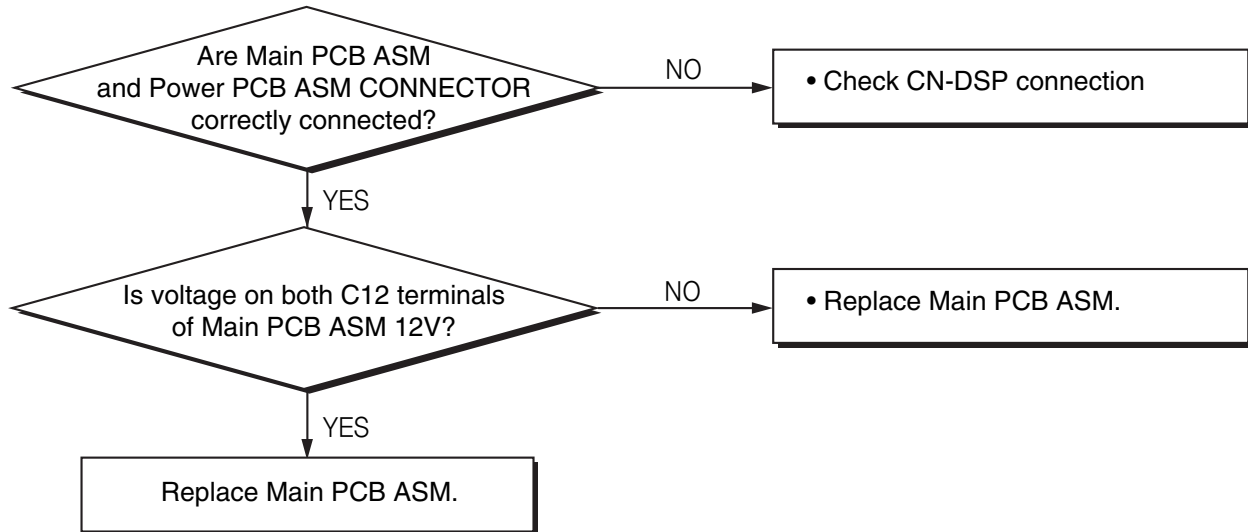
Complete Malfunction



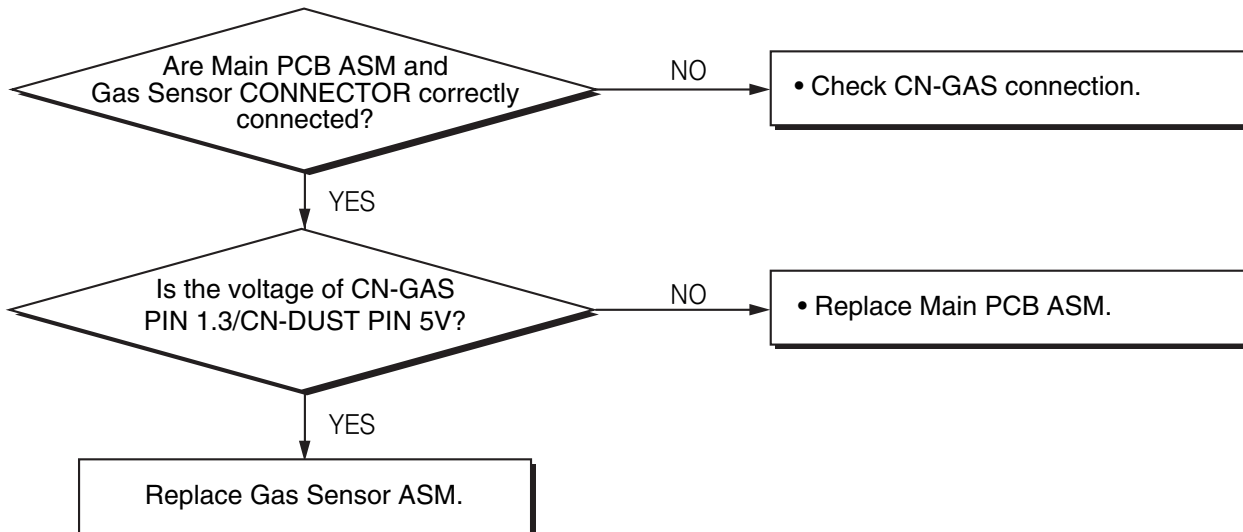
7

Troubleshooting and inspection direction

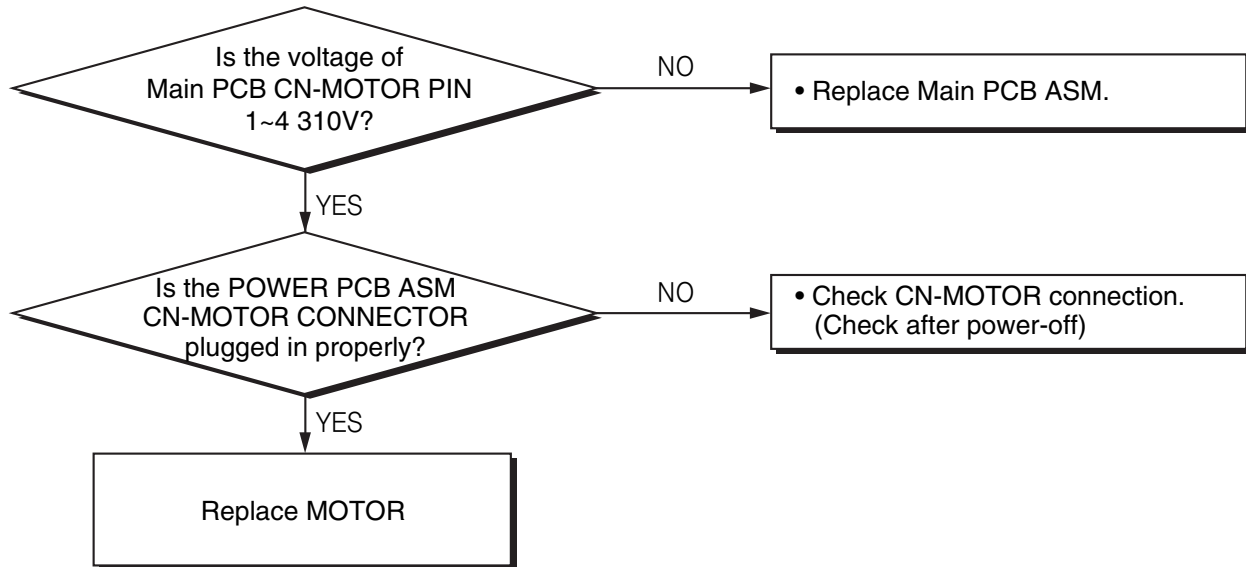
LED Display Malfunction



Cleanness lamp Display blinking



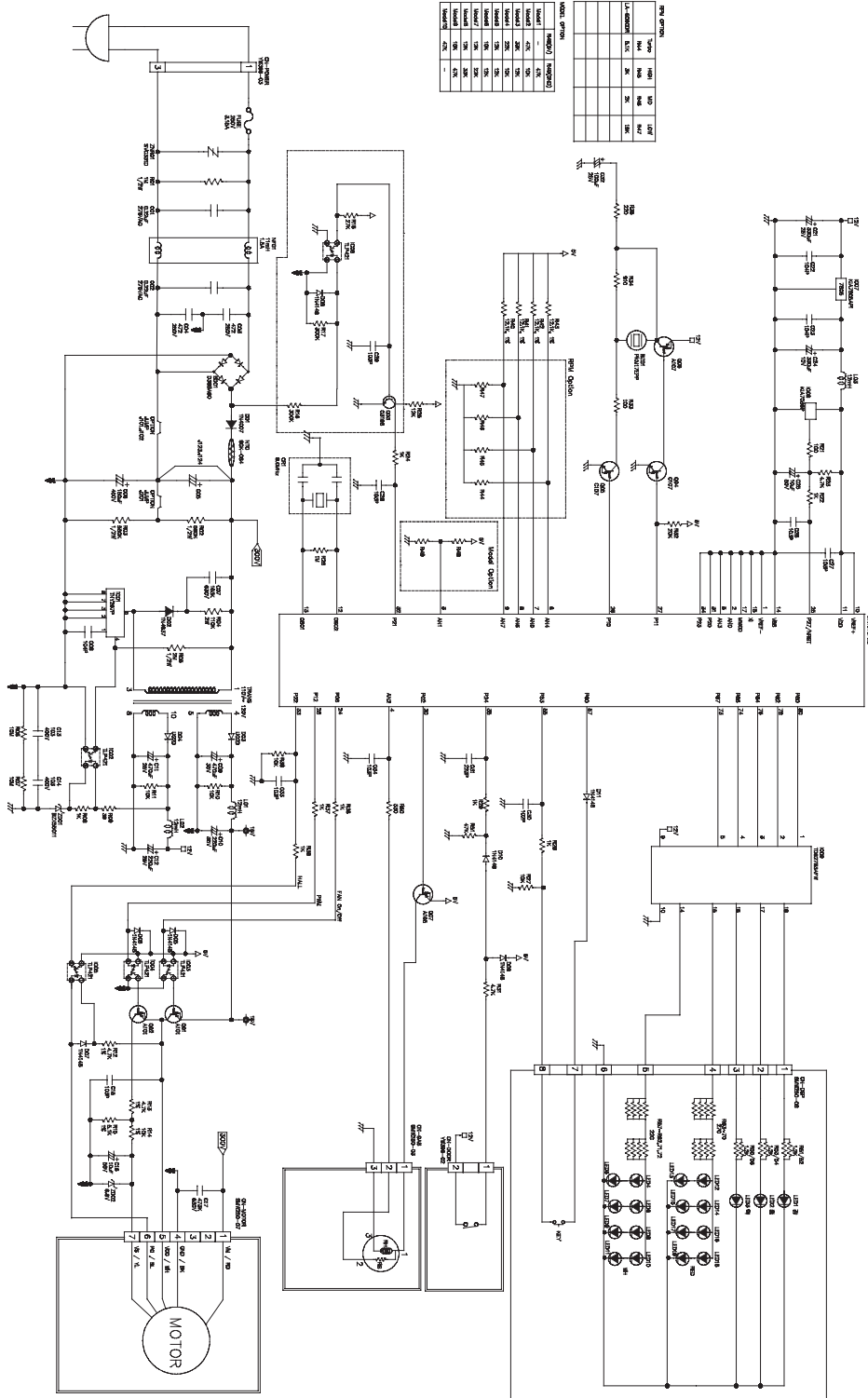
Fan Malfunction



8

PCB Circuit Diagram/Parts Layouts

DC PART Circuit Diagram



9 Exploded View/ Svc Components inventory

Exploded View

MODEL: PS-S200CW
PS-S200RP

