

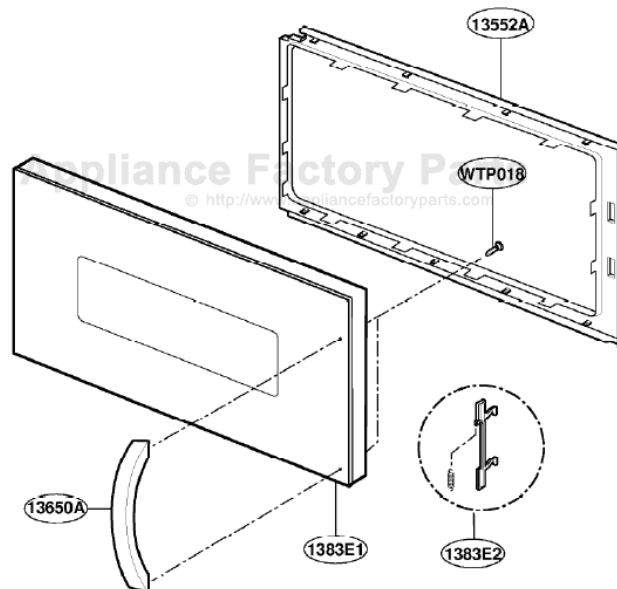
This Owner's Manual is provided and hosted by [Appliance Factory Parts](http://www.ApplianceFactoryParts.com).



GE SCA2000BCC Owner's Manual

[Shop genuine replacement parts for GE SCA2000BCC](#)

DOOR PARTS

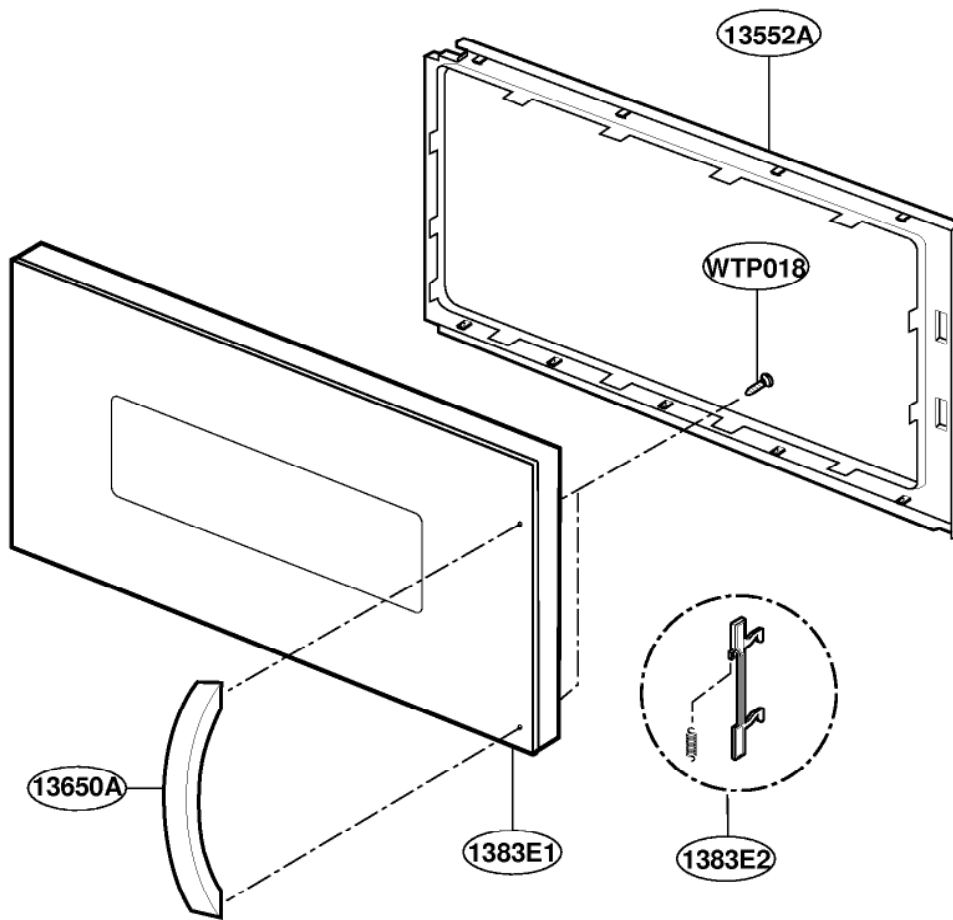


[Find Your GE Microwave Parts - Select From 3055 Models](#)

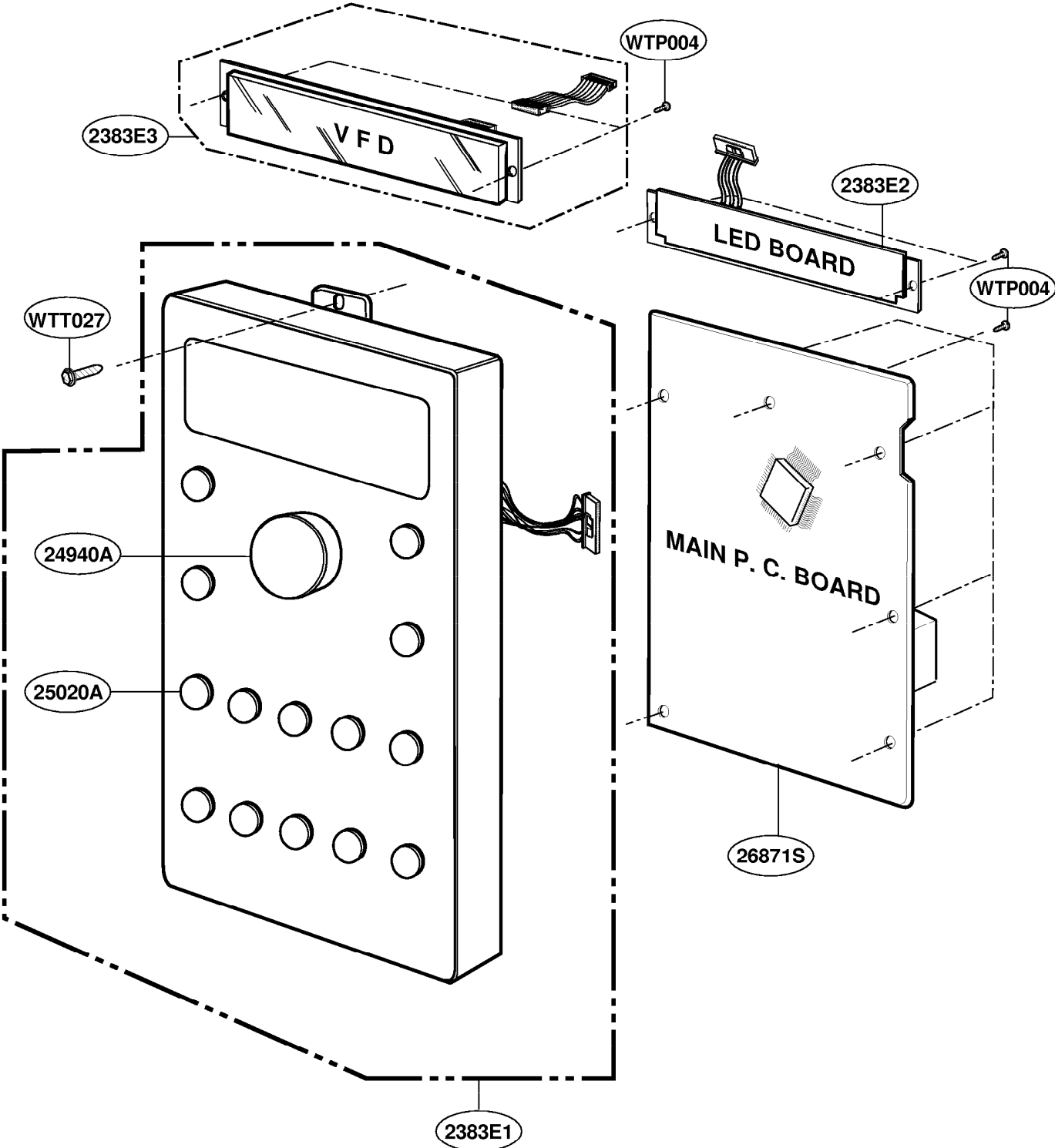
----- Manual continues below -----

EXPLODED VIEW

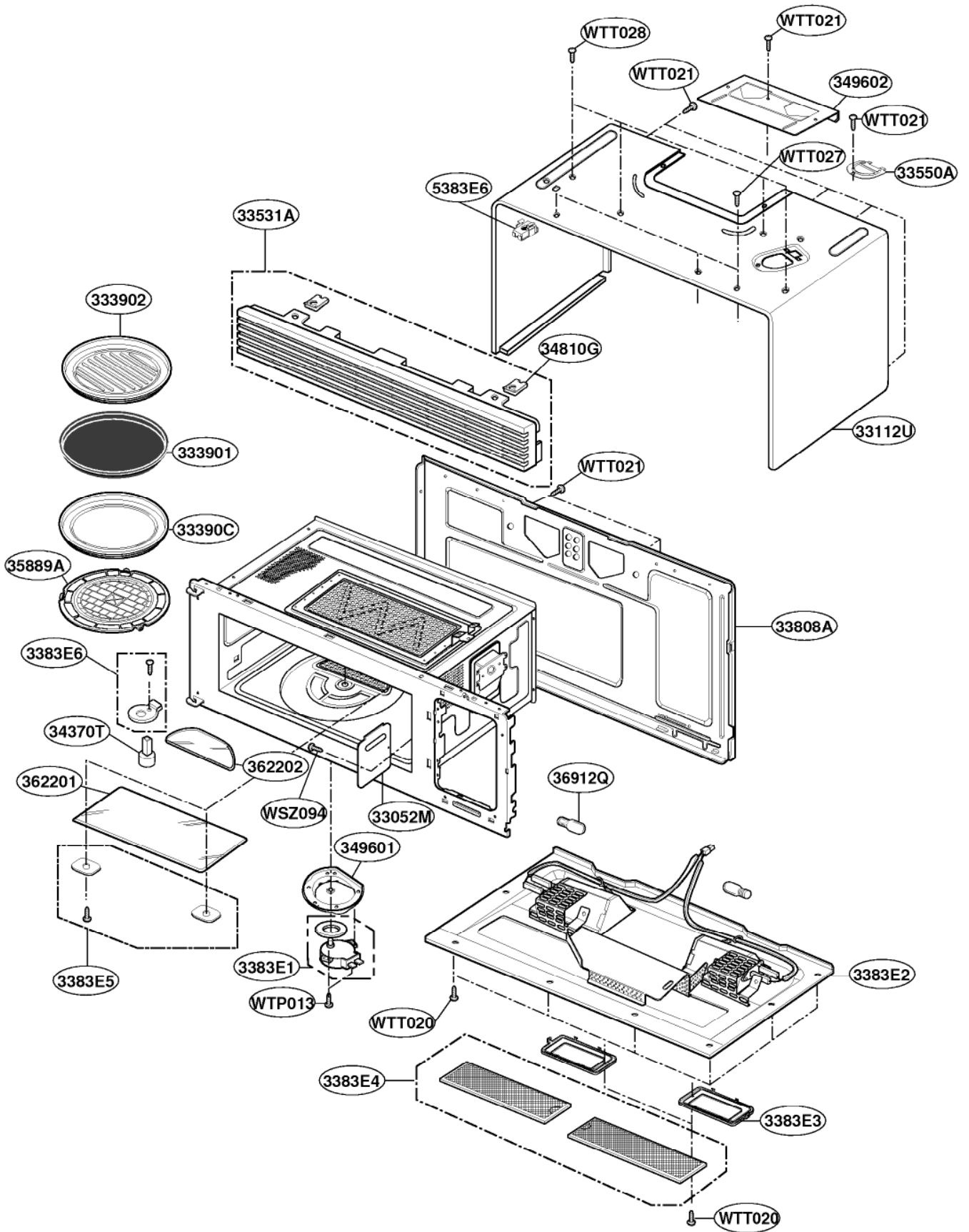
DOOR PARTS



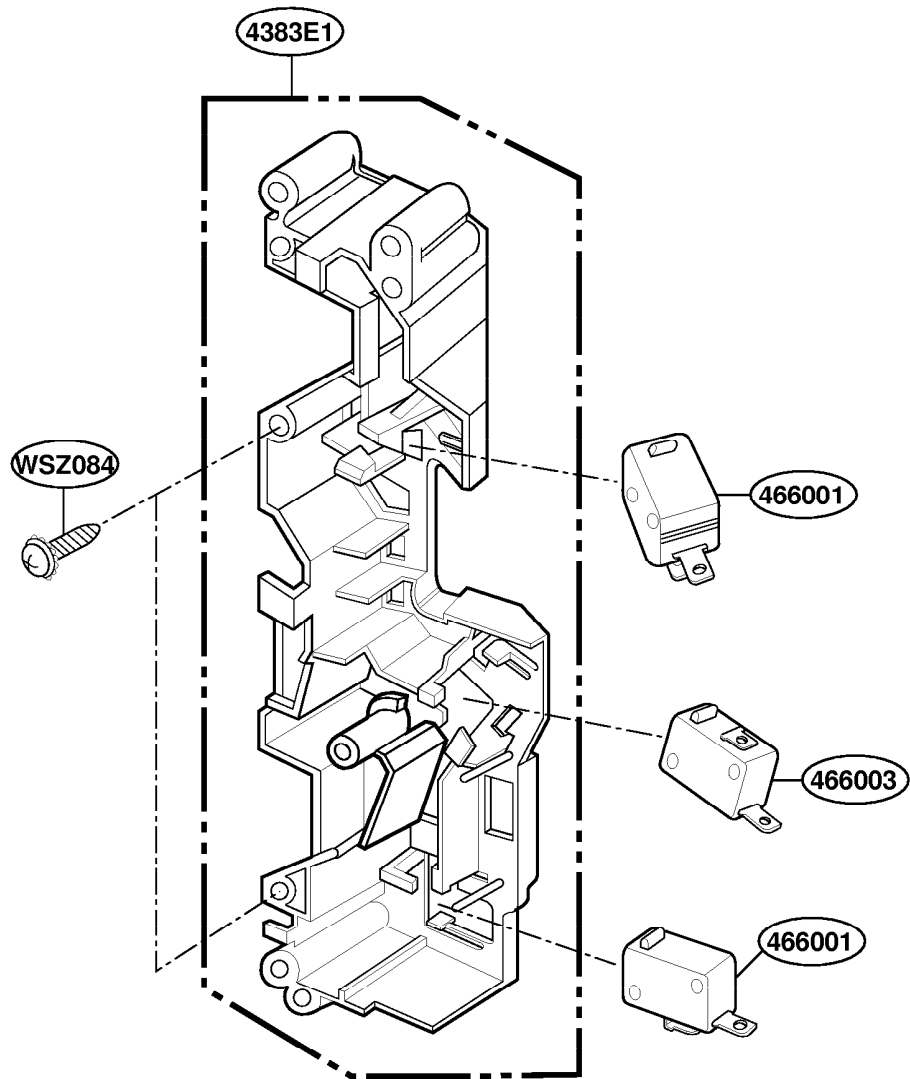
CONTROLLER PARTS



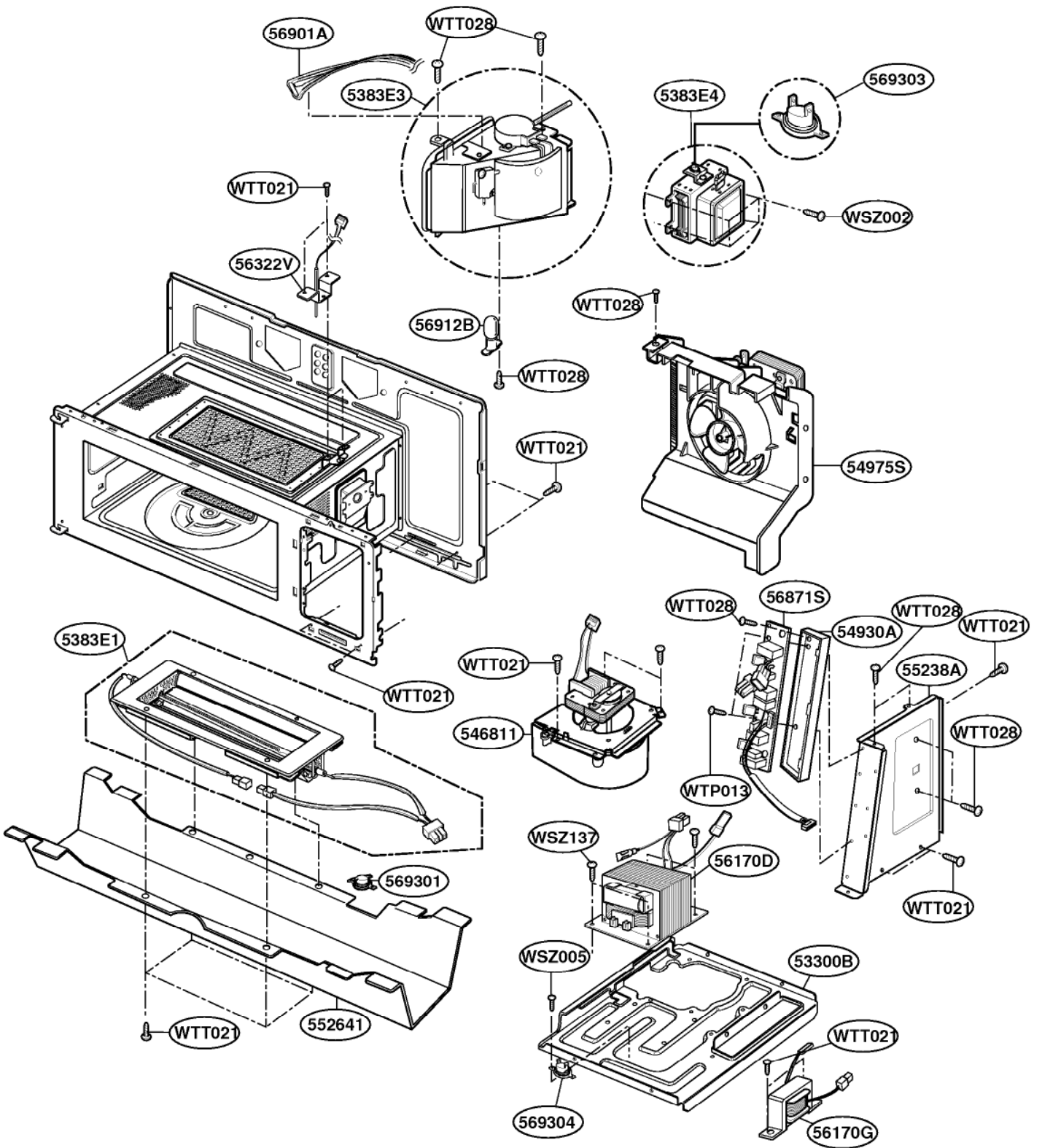
OVEN CAVITY PARTS



LATCH BOARD PARTS



INTERIOR PARTS (I)



INSTALLATION PARTS

