

This Owner's Manual is provided and hosted by [Appliance Factory Parts](#).



# GE SCA2001BSS Owner's Manual

[Shop genuine replacement parts for GE SCA2001BSS](#)

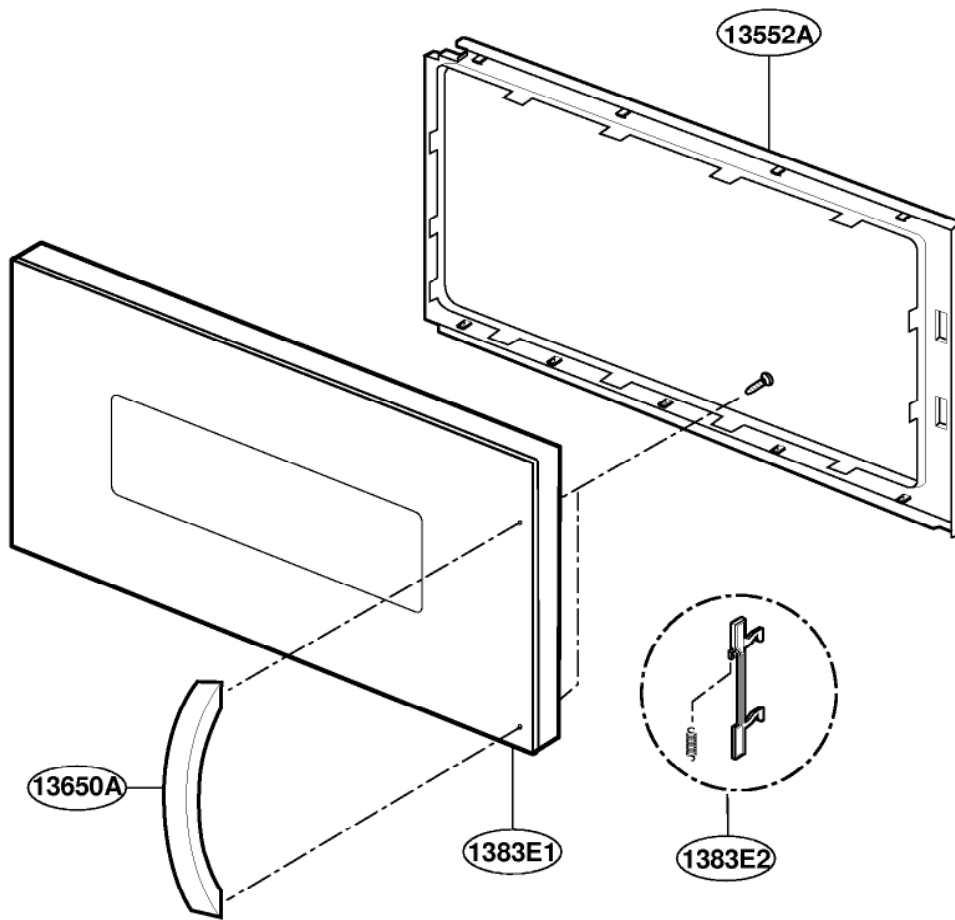


[Find Your GE Microwave Parts - Select From 3055 Models](#)

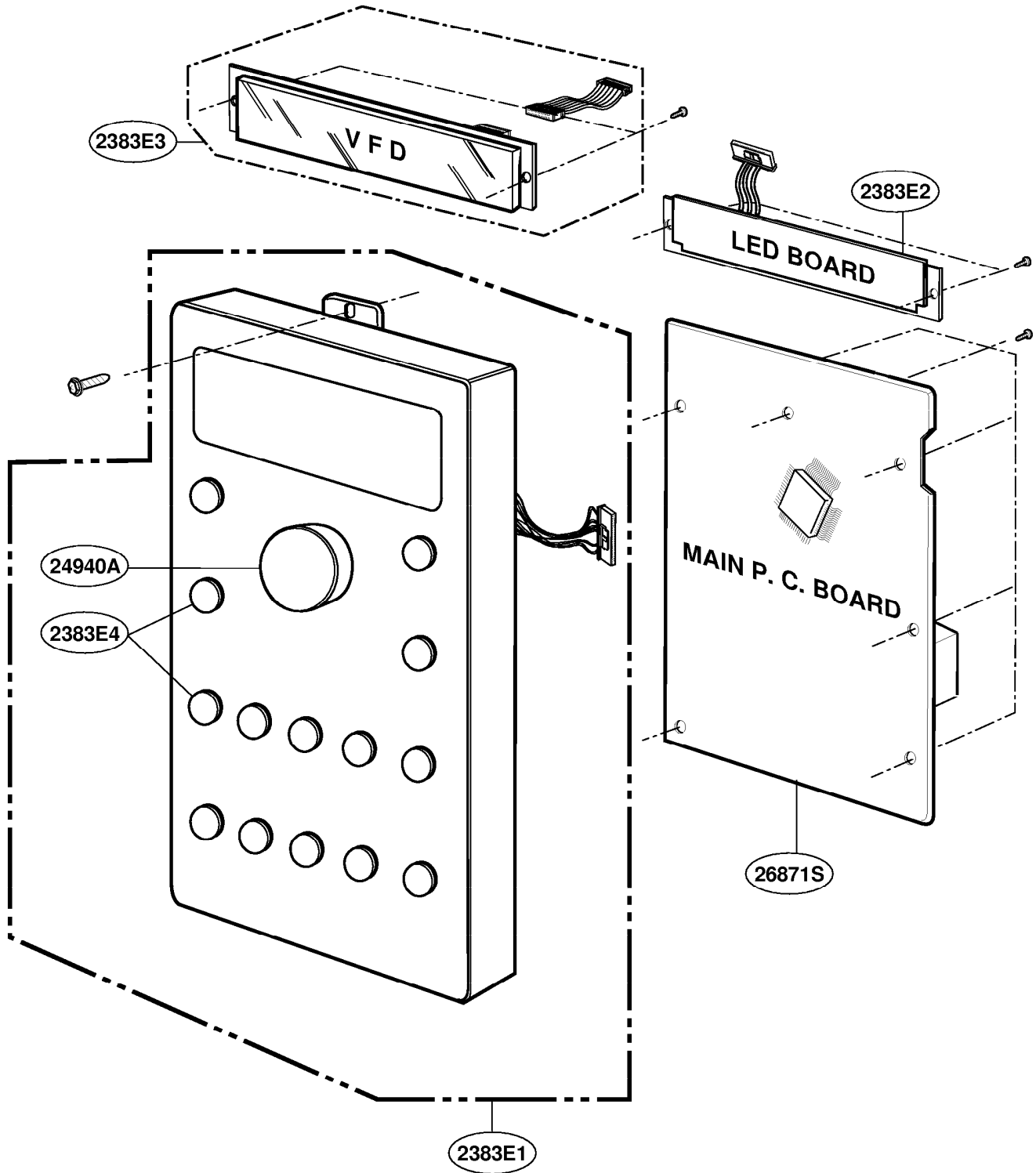
----- Manual continues below -----

# EXPLODED VIEW

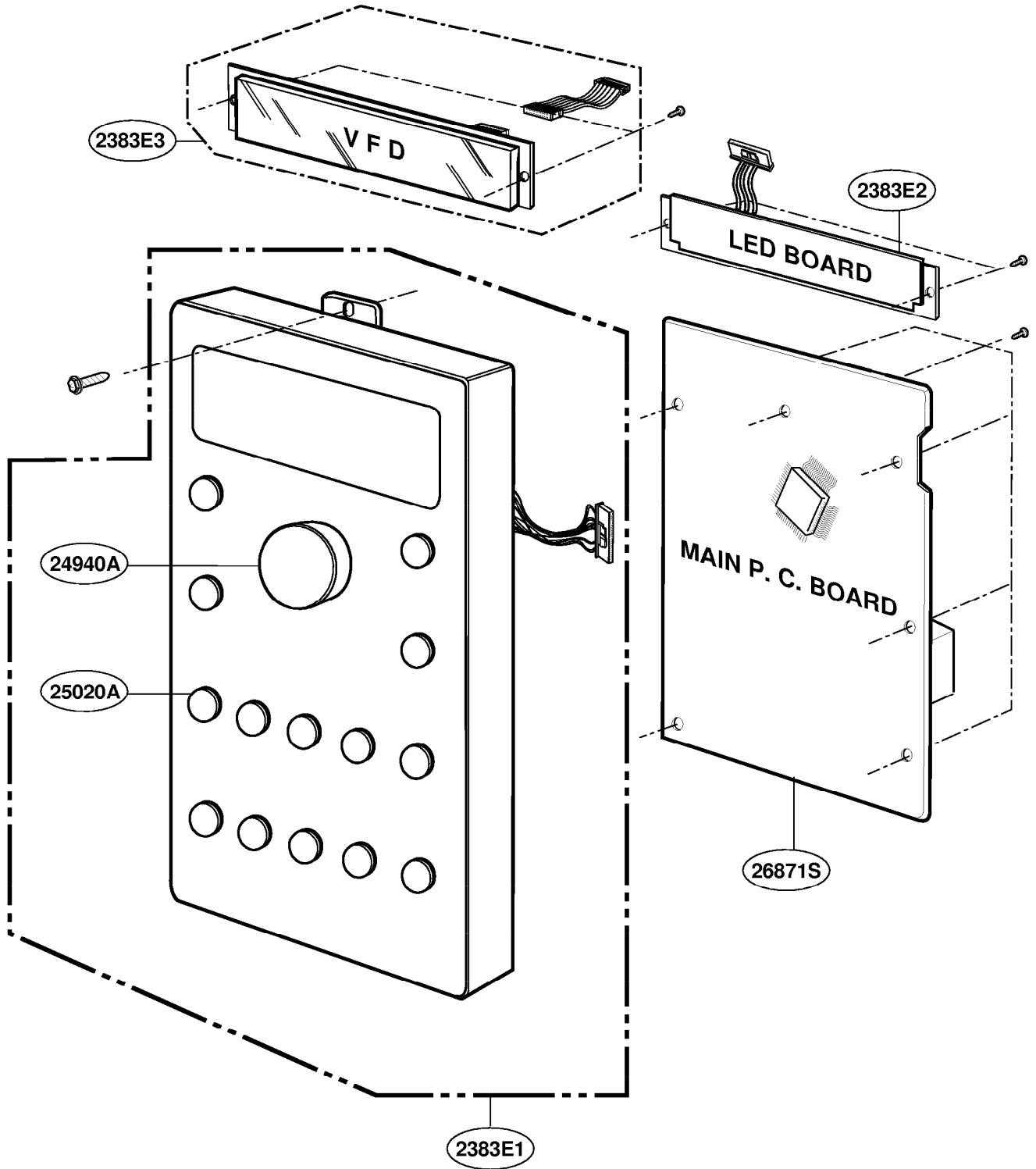
## DOOR PARTS



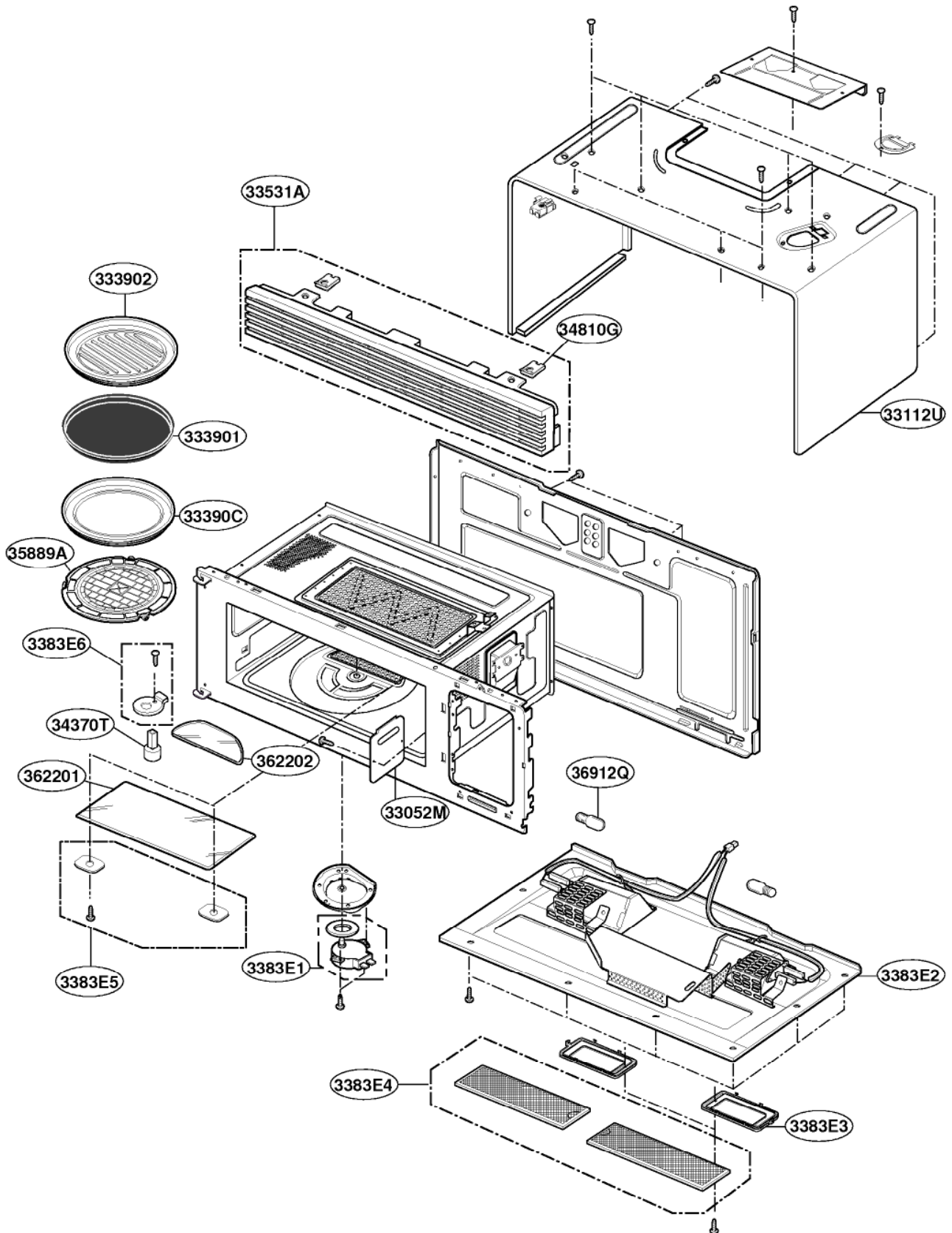
# CONTROLLER PARTS



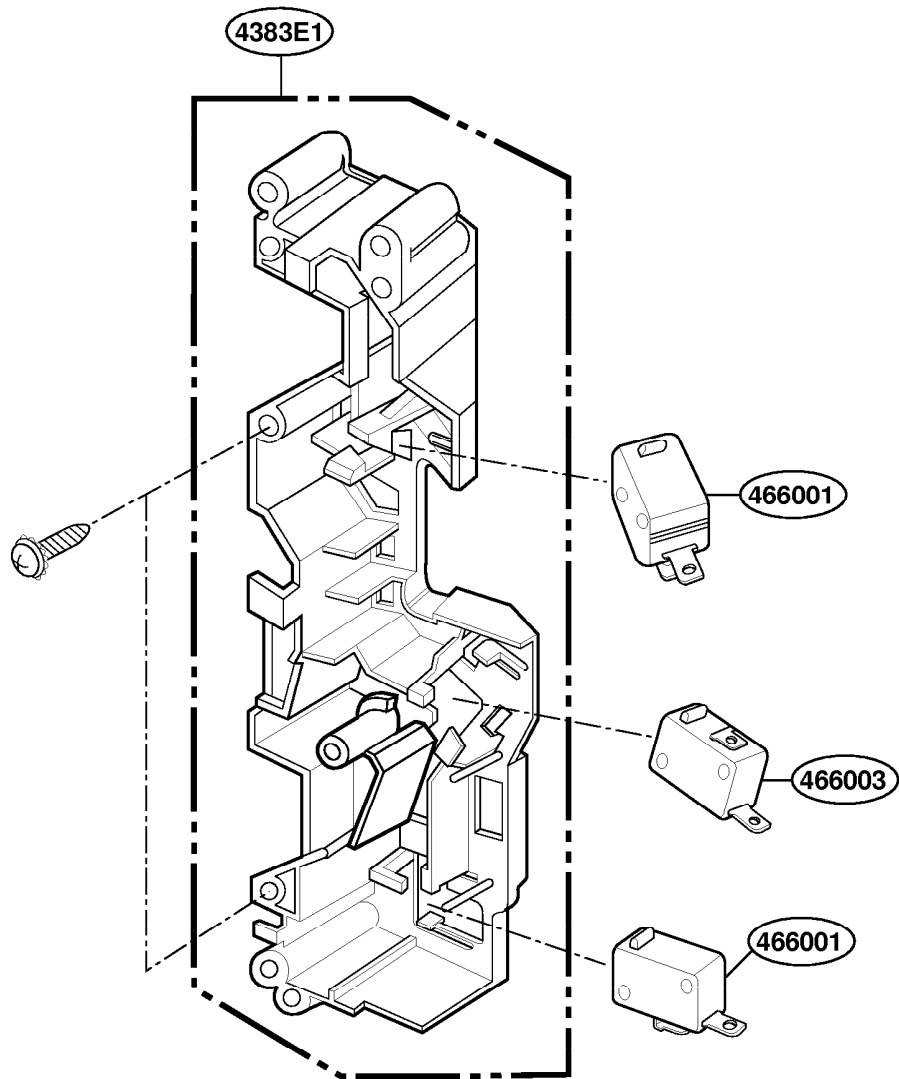
# CONTROLLER PARTS



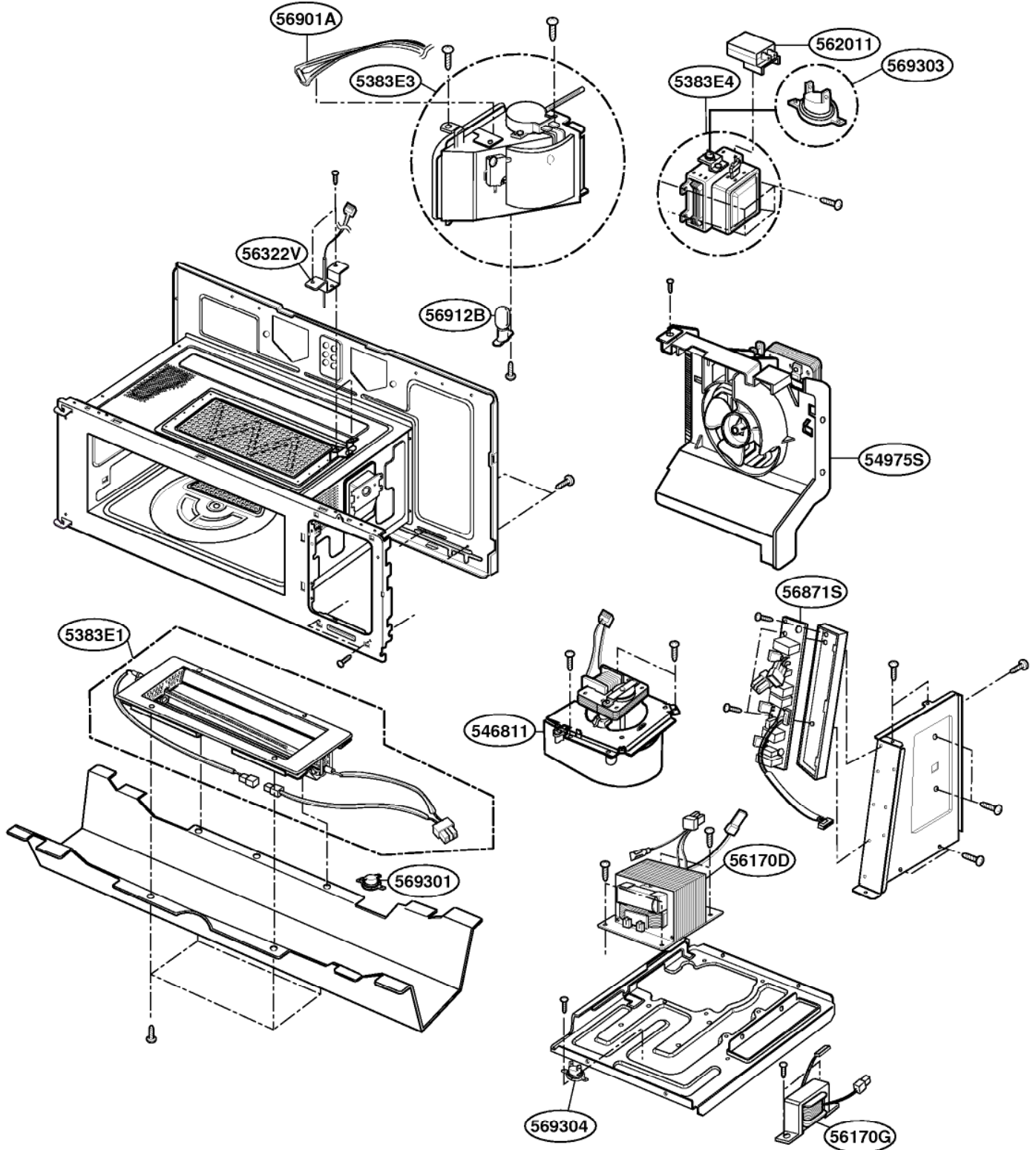
# OVEN CAVITY PARTS



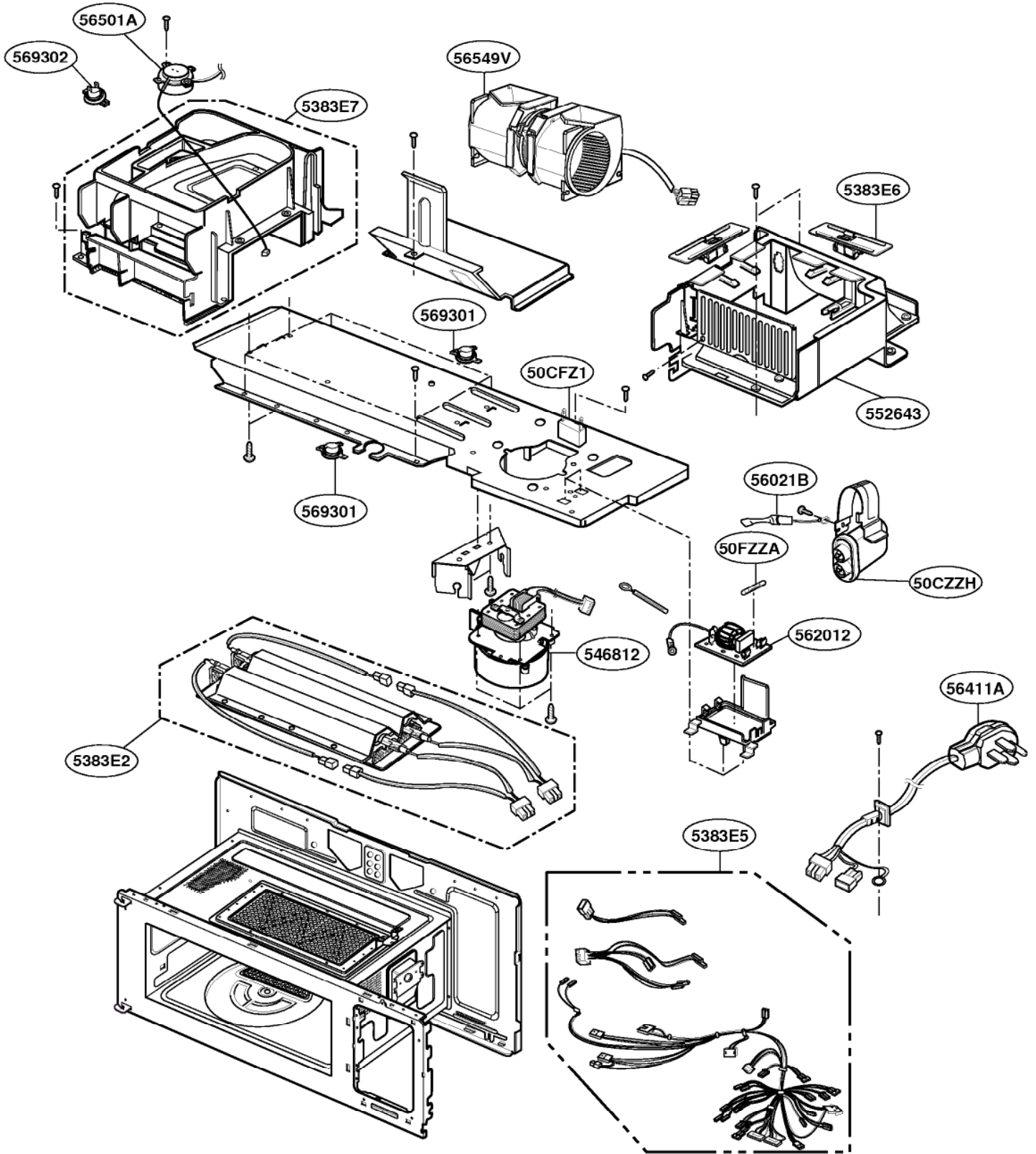
# LATCH BOARD PARTS



# INTERIOR PARTS (I)



# INTERIOR PARTS (II)



# INSTALLATION PARTS

