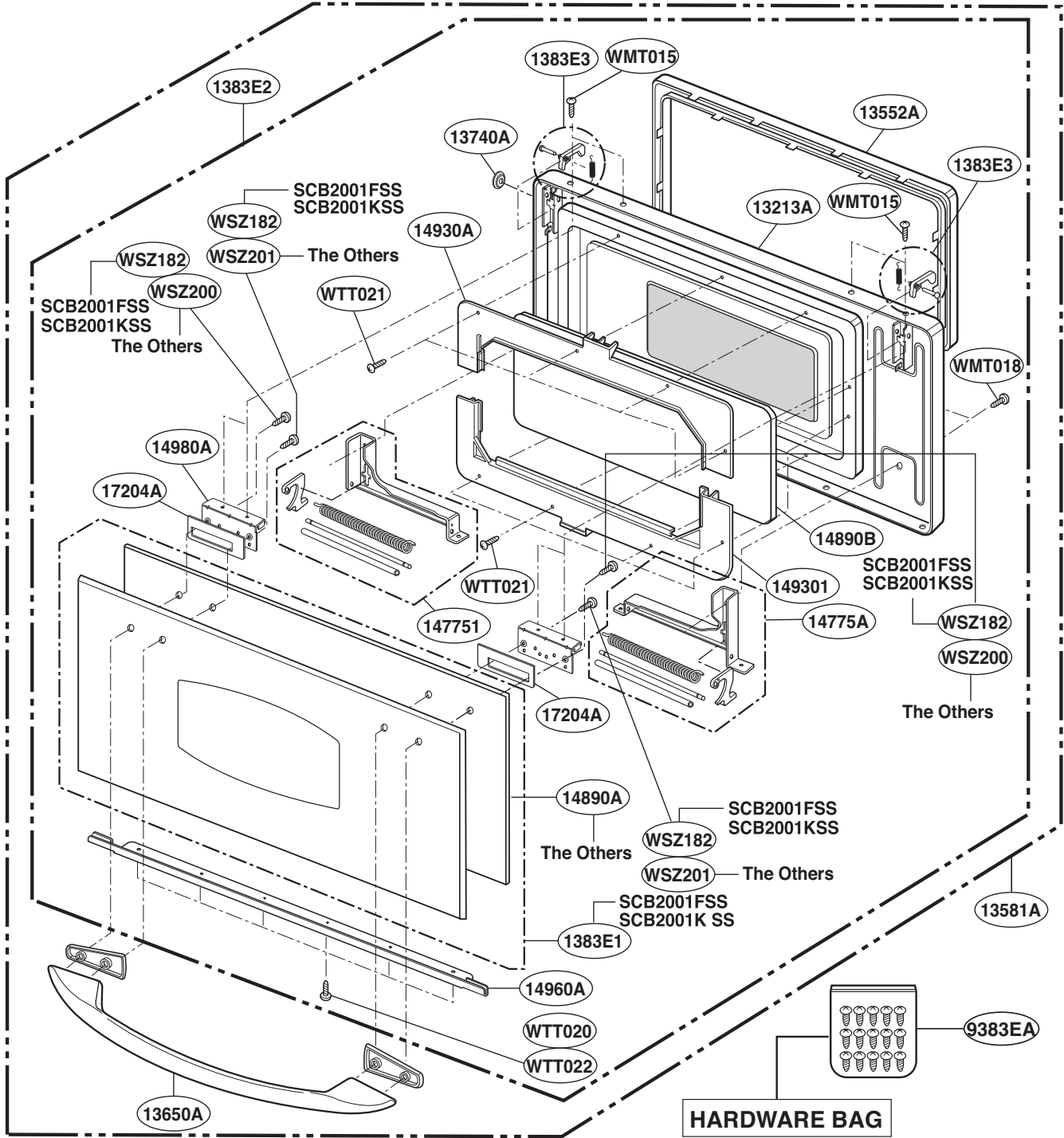


# EXPLODED VIEW

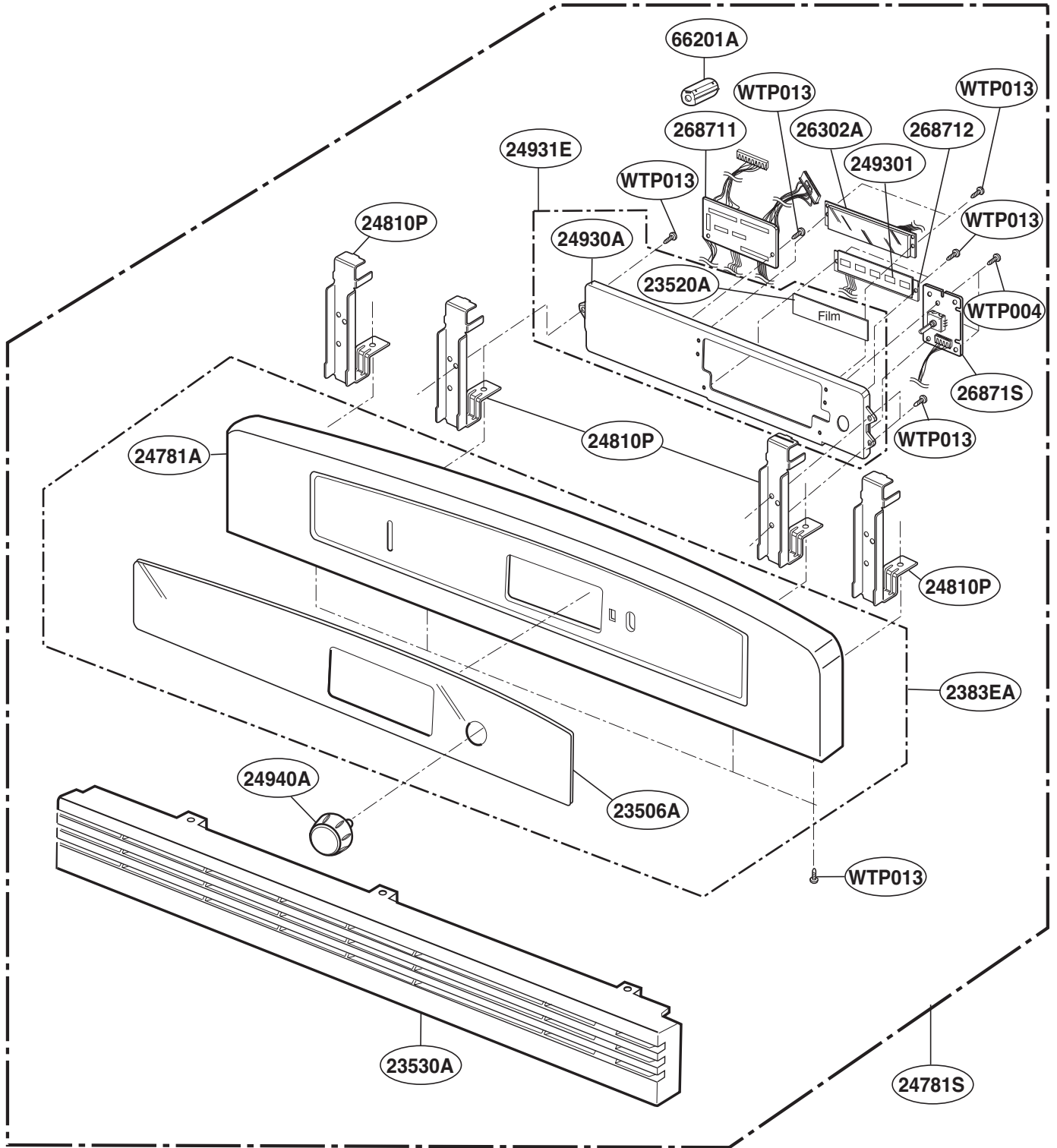
## DOOR PARTS

Model: SCB2000FWW  
SCB2000FBB  
SCB2000FCC  
SCB2001FSS  
SCB2001KSS



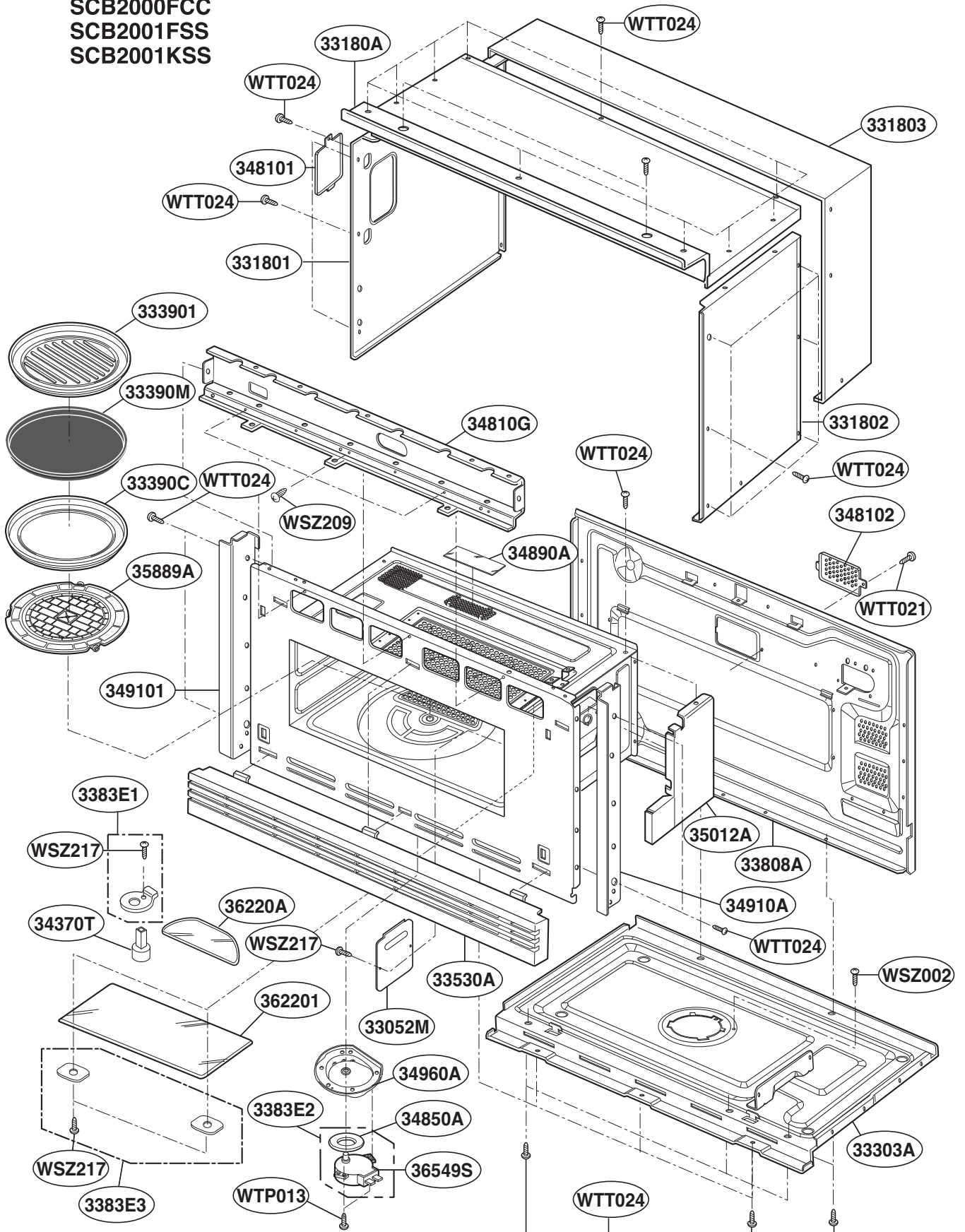
# CONTROLLER PARTS

Model: SCB2000FWW  
SCB2000FBB  
SCB2000FCC  
SCB2001FSS  
SCB2001KSS



# OVEN CAVITY PARTS

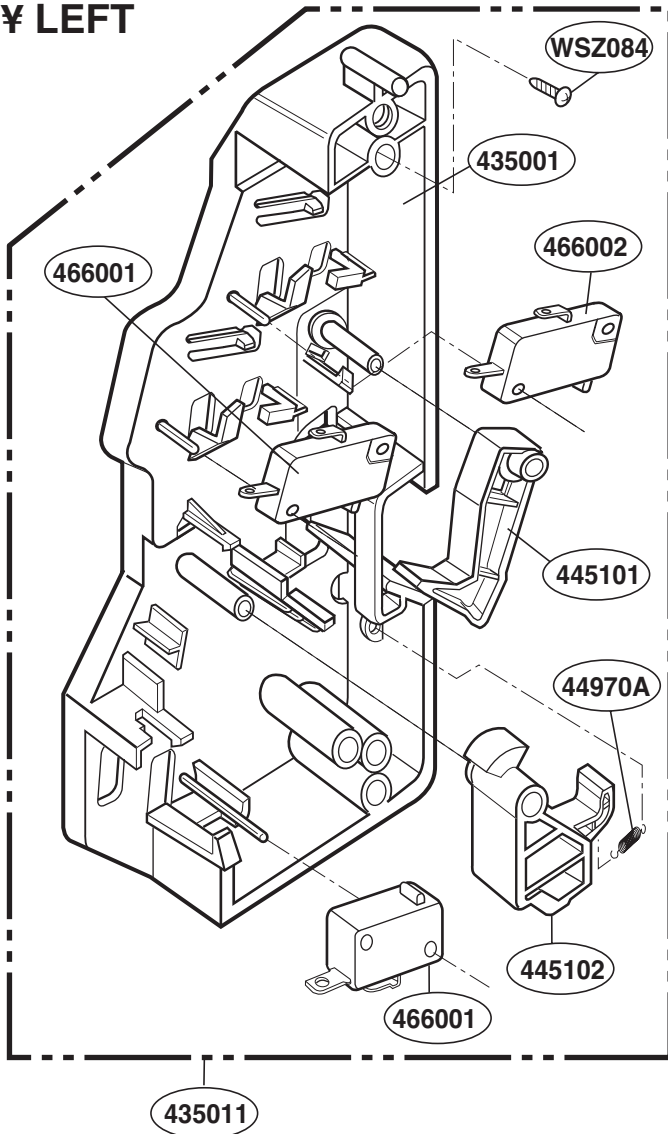
Model: SCB2000FWW  
SCB2000FBB  
SCB2000FCC  
SCB2001FSS  
SCB2001KSS



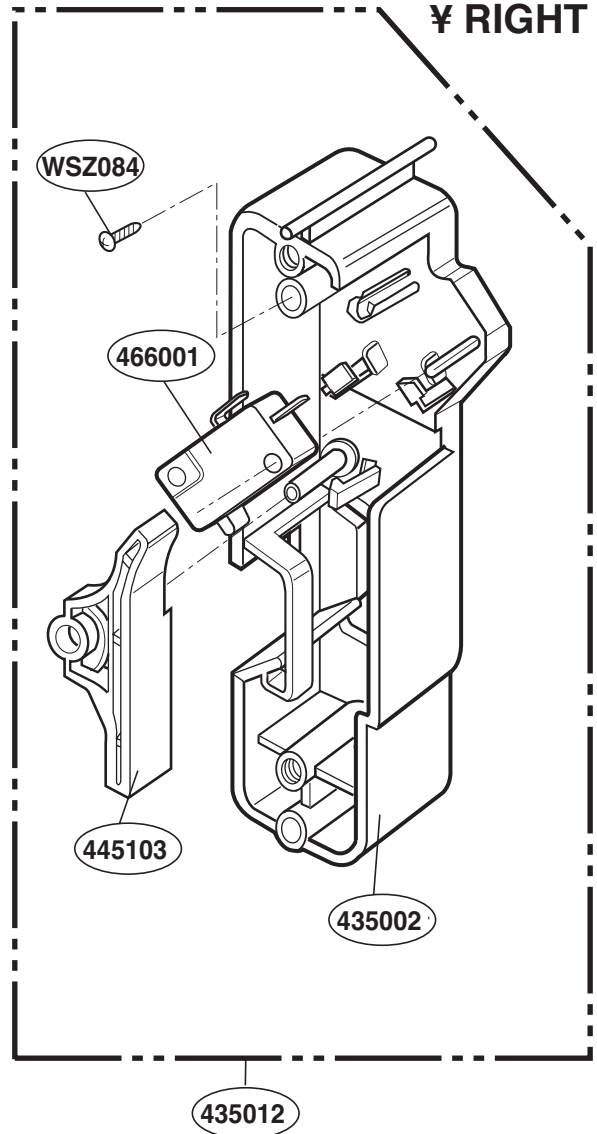
# LATCH BOARD PARTS

Model: SCB2000FWW  
SCB2000FBB  
SCB2000FCC  
SCB2001FSS  
SCB2001KSS

¥ LEFT

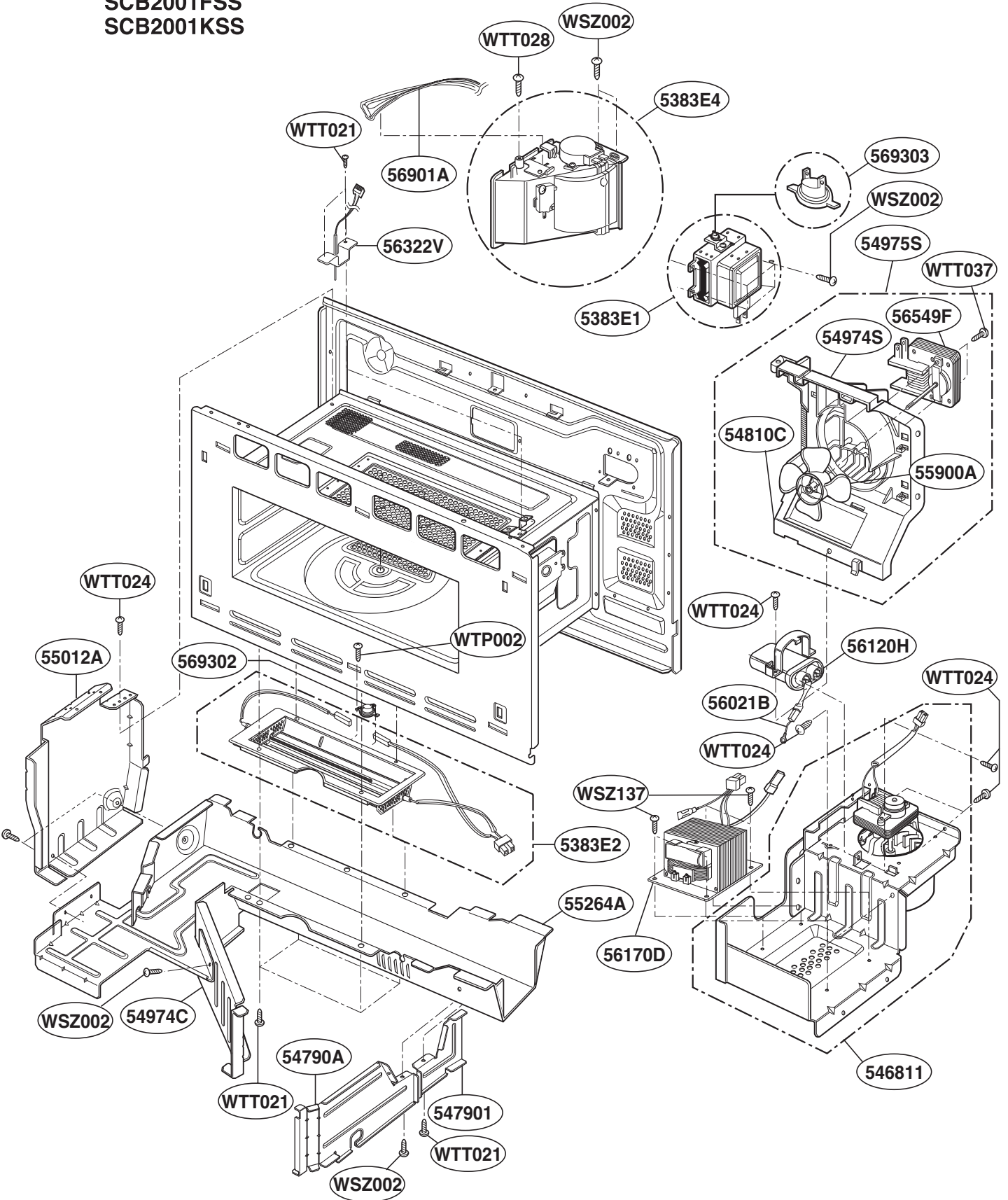


¥ RIGHT



# INTERIOR PARTS (I)

Model: SCB2000FWW  
SCB2000FBB  
SCB2000FCC  
SCB2001FSS  
SCB2001KSS

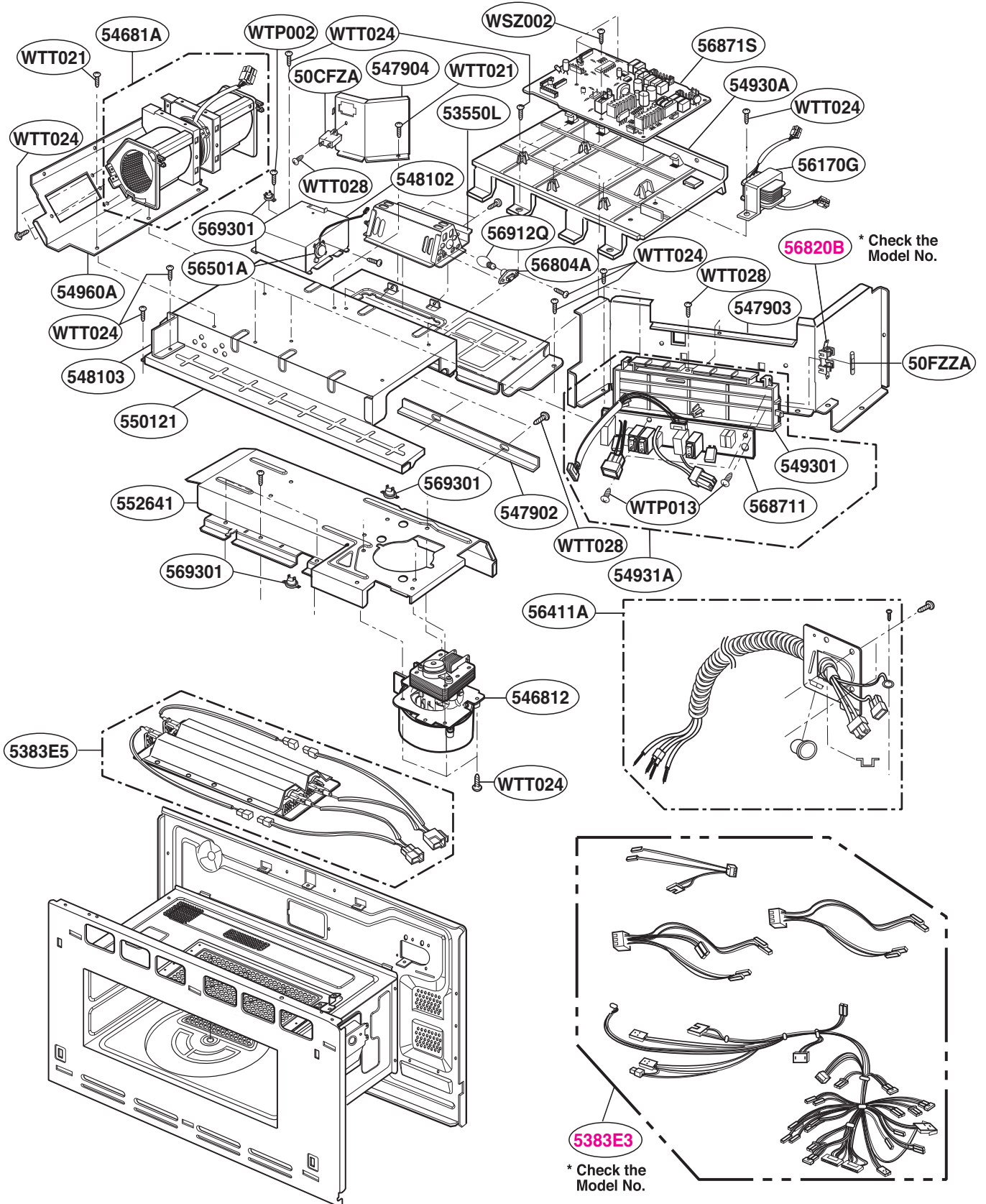




# INTERIOR PARTS (II-I)

Model: SCB2000FBB 02  
SCB2000FCC 02  
SCB2000FWW 02  
SCB2001FSS 02  
SCB2001KSS 01

Check the rating label of Model and order SVC parts according to the Model No.



# INTERIOR PARTS (II-II)

Model: SCB2000FBB 03  
SCB2000FCC 03  
SCB2000FWW 03  
SCB2001KSS 02

Check the rating label of Model and order SVC parts according to the Model No.

