

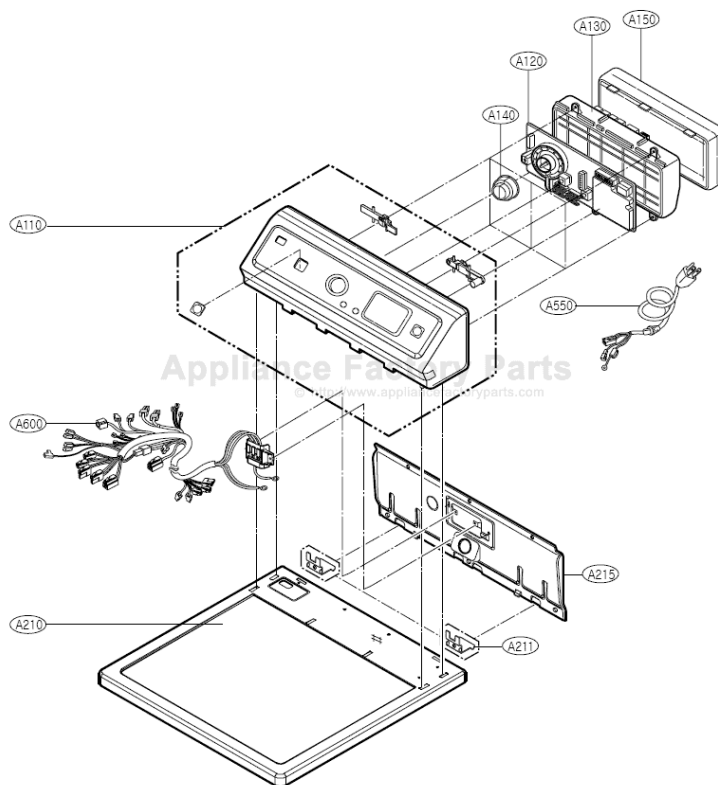
This Owner's Manual is provided and hosted by Appliance Factory Parts.



LG TD-V10030G Owner's Manual

[Shop genuine replacement parts for LG TD-V10030G](#)

12-1. Control Panel & Plate Assembly



[Find Your LG Dryer Parts - Select From 451 Models](#)

----- Manual continues below -----



LG

Website:<http://www.LGservice.com> [For U.S.A]
www.lg.ca [For Canada]

ELECTRIC & GAS DRYER SERVICE MANUAL

CAUTION

READ THIS MANUAL CAREFULLY TO DIAGNOSE
TROUBLES CORRECTLY BEFORE OFFERING SERVICE.

MODEL : DLE5911W	DLG5911W
DLE2511W	DLG2511W
DLE5932W	DLG5932W
DLE5932S	DLG5932S
DLE2532W	DLG2532W
DLE0332W	DLG0332W



MAR. 2003 PRINTED IN KOREA

P/No.:3828EL3001B

IMPORTANT SAFETY NOTICE

The information in this service guide is intended for use by individuals possessing adequate backgrounds of electrical, electronic, and mechanical experience. Any attempt to repair a major appliance may result in personal injury and property damage. The manufacturer or seller cannot be responsible for the interpretation of this information, nor can it assume any liability in connection with its use.

WARNING !

To avoid personal injury, disconnect power before servicing this product. If electrical power is required for diagnosis or test purposes, disconnect the power immediately after performing the necessary checks.

RECONNECT ALL GROUNDING DEVICES

If grounding wires, screws, straps, clips, nuts, or washers used to complete a path to ground are removed for service, they must be returned to their original position and properly fastened.

WHAT TO DO IF YOU SMELL GAS:

- Do not try to light a match, or cigarette, or turn on any gas or electrical appliance.
- Do not touch any electrical switches. Do not use any phone in your building.
- Clear the room, building or area of all occupants.
- Immediately call your gas supplier from a neighbor's phone. Follow the gas supplier's instructions carefully.
- If you cannot reach your gas supplier, call the fire department.

IMPORTANT

Electrostatic Discharge (ESD)
Sensitive Electronics

ESD problems are present everywhere. ESD may damage or weaken the electronic control assembly. The new control assembly may appear to work well after repair is finished, but failure may occur at a later date due to ESD stress.

- Use an anti-static wrist strap. Connect wrist strap to green ground connection point or unpainted metal in the appliance.

- OR -

Touch your finger repeatedly to a green ground connection point or unpainted metal in the appliance.

- Before removing the part from its package, touch the anti-static bag to a green ground connection point or unpainted metal in the appliance.
- Avoid touching electronic parts or terminal contacts; handle electronic control assembly by edges only.
- When repackaging failed electronic control assembly in anti-static bag, observe above instructions.

CONTENTS

1. SPECIFICATIONS	4
2. FEATURES AND BENEFITS	5
3. INSTALLATION INSTRUCTIONS	6
4. COLUMBUS DRYER CYCLE PROCESS	9
5. COMPONENT TESTING INFORMATION	10
6. MOTOR DIAGRAM AND SCHEMATIC.....	13
7. CONTROL LAY - OUT	14
8. WIRING DIAGRAM	15
9. DIAGNOSTIC TEST	16
9-1. TEST 1 120VAC ELECTRICAL SUPPLY.....	17
9-2. TEST 2 THERMISTOR TEST --- MEASURE WITH POWER OFF	18
9-3. TEST 3 MOTOR TEST	19
9-4. TEST 4 MOISTURE SENSOR	20
9-5. TEST 5 DOOR SWITCH TEST	21
9-6. TEST 6 HEATER SWITCH TEST - ELECTRIC TYPE.....	22
9-7. TEST 7 GAS VALVE TEST - GAS TYPE.....	23
10. CHANGE GAS SETTING (NATURAL GAS, PROPANE GAS)	24
11. DISASSEMBLY INSTRUCTIONS	26
12. EXPLODED VIEW	32
12-1. CONTROL PANEL & PLATE ASSEMBLY	32
12-2. CABINET & DOOR ASSEMBLY.....	33
12-3-1. DRUM & MOTOR ASSEMBLY : ELECTRIC TYPE	34
12-3-2. DRUM & MOTOR ASSEMBLY : GAS TYPE	35
13. REPLACEMENT PARTS LIST	36

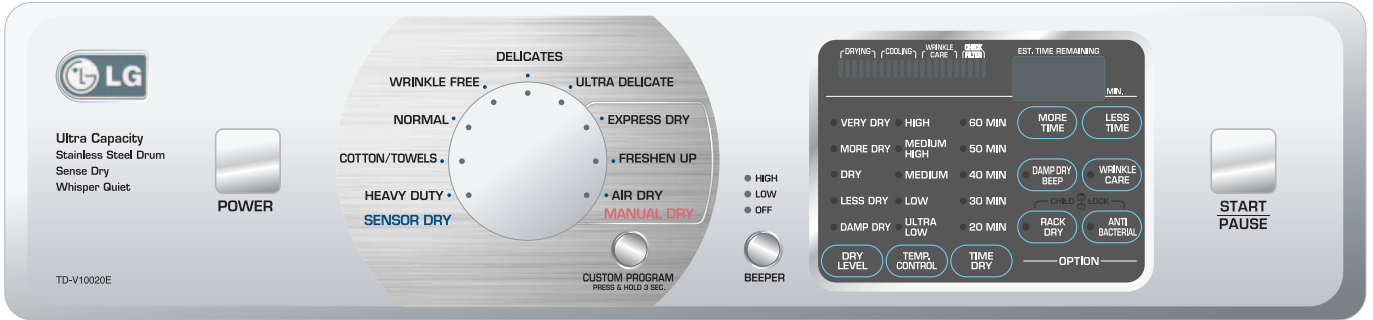
1

SPECIFICATIONS

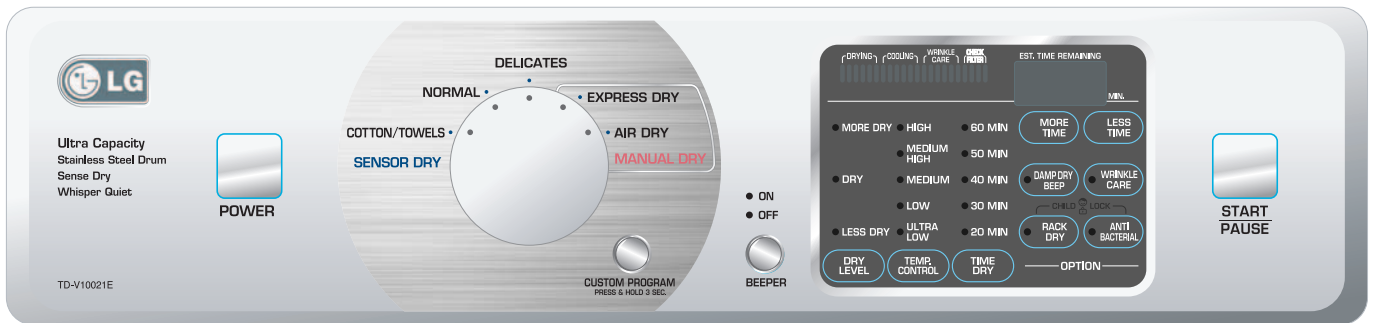
ITEM		DLE5932W DLG5932W	DLE5932S DLG5932S	DLE2532W DLG2532W	REMARK
Material & Finishes	Color	White	Titanium	White	
	Top Plate	Porcelain	Porcelain	Painted	
	Door Trim	Silver	Chrome	White	
POWER SUPPLY		120V / 240V 60Hz (26A)			
ELECTRICITY CONSUMPTION	MOTOR	250W (4.5A)			AC 120V
	HEATER	5400W (22.5A)			AC 240V (ELECTRIC TYPE)
	LAMP	15W (125mA)			AC 120V
	GAS VALVE	13W (110mA) X 2			AC 120V (GAS TYPE)
CONTROL TYPE		Electronic			
DRUM CAPACITY		7.3 cu.ft.			
Weight (lbs): Net/ Gross		126 / 144			
No. of Programs		9	9	5	
No. of Dry Option		5	5	5	
No. of Temperature Controls		5	5	5	
No. of Dry Levels		5	5	3	
Audible End of Cycle Beeper		High / Low / Off	High / Low / Off	On / Off	
Sensor	Moisture	Equipped			Electro sensor
	Temperature	Equipped			Thermistor
Reversible Door		Adopted			
Drum		Stainless Steel			
Dryer Rack		Equipped			
Child lock		Equipped			
Interior Light		Equipped			
Product (WXHxD)		27" x 42 ³ / ₄ " x 28 ¹ / ₃ "			
Packing (WXHxD)		29 ¹ / ₂ " x 44 ³ / ₄ " x 30 ³ / ₄ "			

FEATURES AND BENEFITS

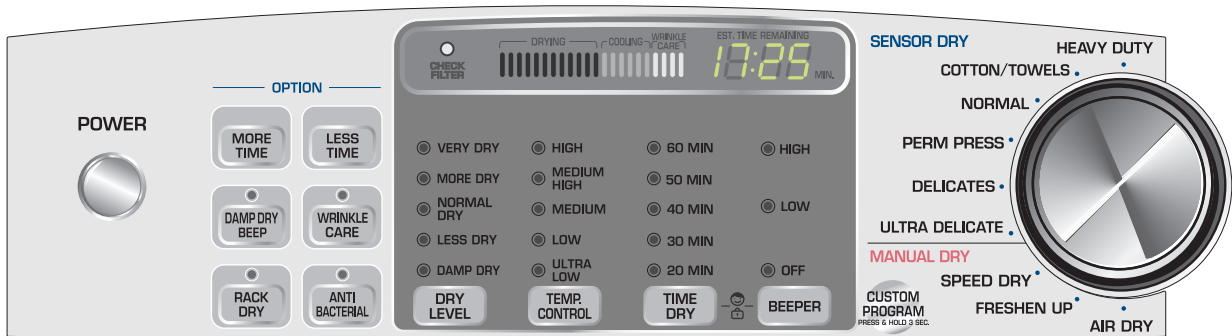
■ DLE5911W / DLG5911W



■ DLE2511W / DLG2511W



■ DLE5932W / DLG5932W / DLE5932S / DLG5932S



■ DLE2532W / DLG2532W



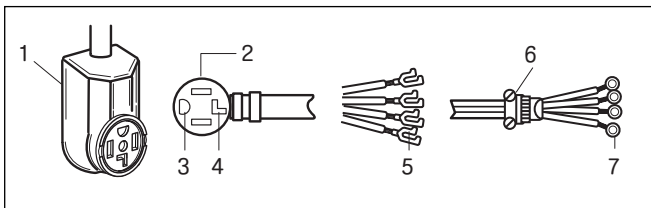
3

INSTALLATION INSTRUCTIONS

3-1. POWER CORD

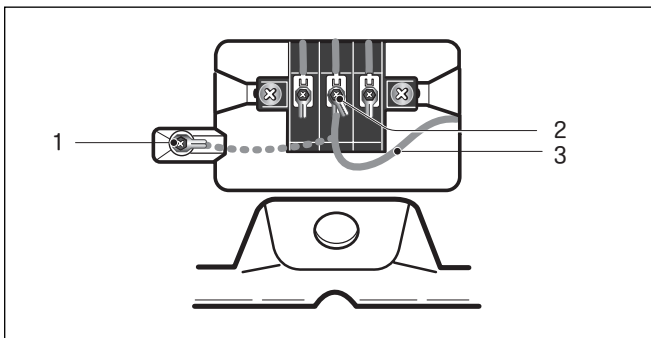
1) 4-wire connection

IMPORTANT: A 4-wire connection is required for mobile homes and where local codes do not permit the use of 3 wire connections.



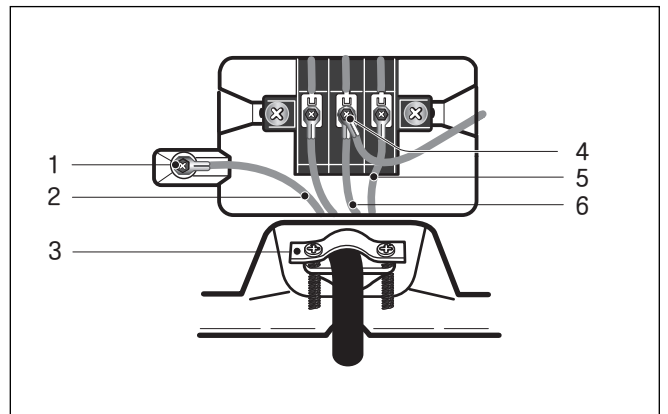
1. 4-wire receptacle (NEMA type 14-30R)
2. 4-prong plug
3. Ground prong
4. Neutral prong
5. Spade terminals with upturned ends
6. 3/4 in. (1.9 cm) UL approved strain relief
7. Ring terminals

1. Remove center terminal block screw.
2. Remove appliance ground wire (green) from external ground connector screw. Fasten it under center, silver colored terminal block screw.



1. External ground connector - Dotted line shows position of NEUTRAL ground wire before being moved to center terminal block screw
2. Center silver-colored terminal block screw
3. Green wire of harness

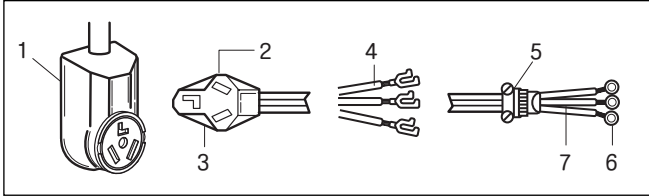
3. Connect ground wire (green or bare) of power supply cable to external ground conductor screw. Tighten screw.
4. Connect neutral wire (white or center wire) of power supply cord to the center, silver colored terminal screw of the terminal block.



1. External ground connector
2. Green or bare copper wire of power supply cord
3. 3/4 in. (1.9 cm) UL-listed strain relief
4. Center silver-colored terminal block screw
5. Neutral grounding wire (green)
6. Neutral wire (white)
5. Connect the other wires to outer terminal block screws. Tighten screws.
6. Tighten strain relief screws.
7. Insert tab of terminal block cover into slot of dryer rear panel. Secure cover with hold-down screw.

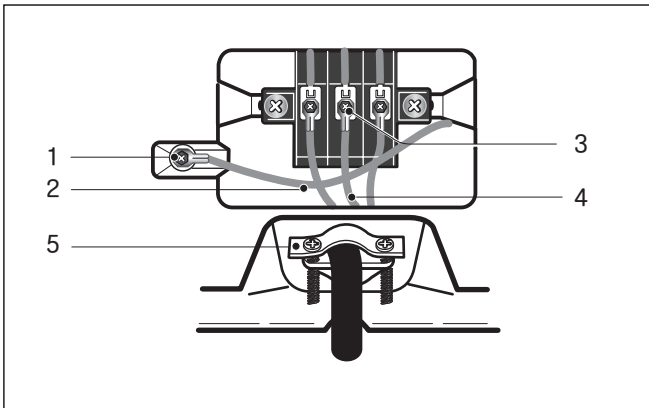
2) 3-wire connection

Use where local codes permit connecting cabinet-ground conductor to neutral wire.



1. 3-wire receptacle (NEMA type 10-30R)
2. 3-wire plug
3. Neutral prong
4. Spade terminals with up turned ends
5. 3/4 in. (1.9 cm) UL approved strain relief
6. Ring terminals
7. Neutral (white or center wire)

1. Loosen or remove center terminal block screw.
2. Connect neutral wire (white or center wire) of power supply cord to the center, silver colored terminal screw of the terminal block. Tighten screw.



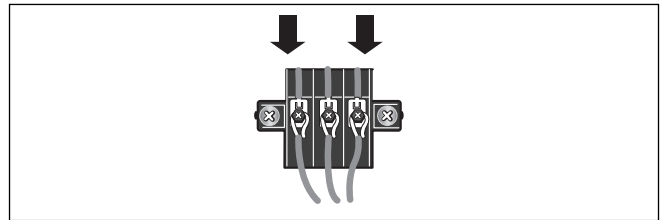
1. External ground connector
2. Neutral grounding wire (green)
3. Center silver-colored terminal block screw
4. Neutral wire (white or center wire)
5. 3/4 in. (1.9 cm) UL-listed strain relief

3. Connect the other wires to outer terminal block screws. Tighten screws.
4. Tighten strain relief screws.
5. Insert tab of terminal block cover into slot of dryer rear panel. Secure cover with hold-down screw.

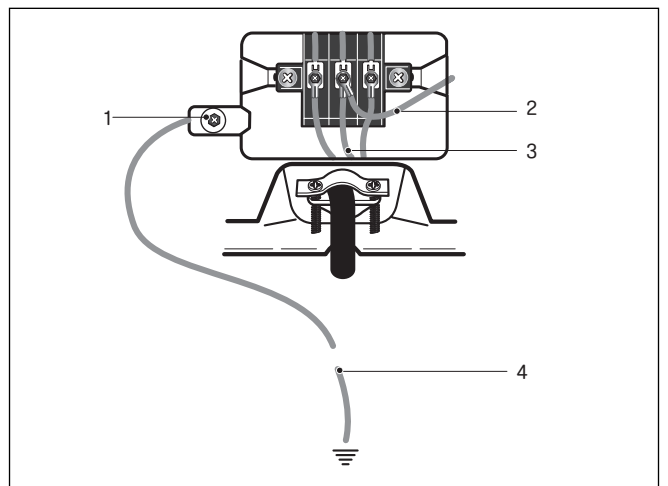
3) Optional 3-wire connection

Use where local codes permit connecting cabinet-ground conductor to neutral wire.

1. Remove center terminal block screw.
2. Remove appliance ground wire (green) from external ground connector screw. Connect appliance ground wire and the neutral wire (white or center wire) of power supply cord/cable under center, silver colored terminal block screw. Tighten screw.
3. Connect the other wires to outer terminal block screws. Tighten screws.



4. Tighten strain relief screws.
5. Insert tab of terminal block cover into slot of dryer rear panel. Secure cover with hold-down screw.
6. Connect a separate copper ground wire from the external ground connector screw to an adequate ground.

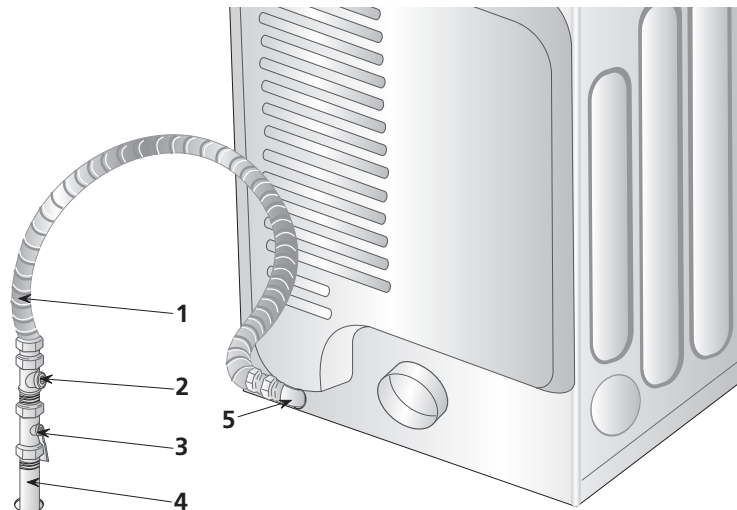


1. External ground connector
2. Neutral grounding wire (green)
3. Neutral wire (white or center wire)
4. Grounding path determined by a qualified electrician

3-2. Connect Gas Supply Pipe (Gas Dryer ONLY)

For further assistance, refer to section on **Gas Requirements**.

1. Make certain your dryer is equipped for use with the type of gas in your laundry room. Dryer is equipped at the factory for Natural Gas with a 3/8" N.P.T. gas connection.
2. Remove the shipping cap from the gas connection at the rear of the dryer. Make sure you do not damage the pipe thread when removing the cap.
3. Connect to gas supply pipe using a new flexible stainless steel connector.
4. Tighten all connections securely. Turn on gas and check all pipe connections (internal & external) for gas leaks with a non-corrosive leak detection fluid.
5. For L.P. (Liquefied Petroleum) gas connection, refer to section on Gas Requirements.



- 1 New Stainless Steel Flexible Connector - Use only if allowed by local codes (Use Design A.G.A. Certified Connector)
- 2 1/8" N.P.T. Pipe Plug (for checking inlet gas pressure)
- 3 Equipment Shut-Off Valve-Installed within 6' (1.8 m) of dryer
- 4 Black Iron Pipe
Shorter than 20' (6.1 m) - Use 3/8" pipe
Longer than 20' (6.1 m) - Use 1/2" pipe
- 5 3/8" N.P.T. Gas Connection

4

COLUMBUS DRYER CYCLE PROCESS

Cycle		Default			Conditions of operation and termination				
		Temp- erature	Dry Level	Display time	Drying		Cooling		Wrinkle care
					Electro- sensor	Temp- Control	Default time	Temp- Control**	Time
Sense Dry *	Heavy Duty	High	(Normal)	54min	Saturation	70±5°C	(5min)	47±5°C	3Hr
	Cotton/ Towel	Medium High	(Normal)	55min	Saturation	66±5°C	(5min)	47±5°C	
	Normal	Medium	(Normal)	41min	Saturation	62±5°C	(5min)	47±5°C	
	Perm. Permanent Press	Low	(Normal)	36min	Saturation	55±5°C	(5min)	47±5°C	
	Delicate	Low	(Normal)	32min	Saturation	55±5°C	(5min)	38±5°C	
	Ultra Delicate	Extra low	(Normal)	34min	Saturation	45±5°C	(5min)	38±5°C	
Manual Dry **	Speed dry	(High)	-	25min	Saturation	(70±5°C)	(5min)	(47±5°C)	3Hr
	Freshen Up	(Medium High)	-	20min	Saturation	(66±5°C)	(5min)	(47±5°C)	
	Air dry	-	-	30min	Saturation	No heater	N/A	N/A	
Load		Motor							Off Time: 6min
					Heater				
								Temperature Control for each cycle	

* Sense dry : "Dry Level" is set by users.

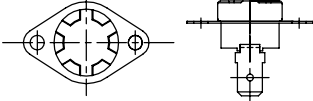
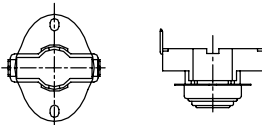
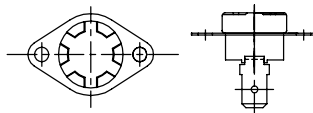
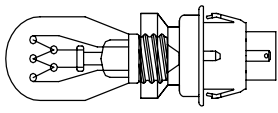
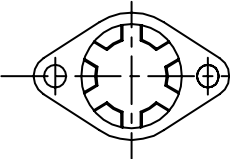
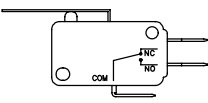
** Manual dry : "Temperature control" is set by users.

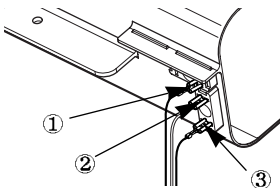
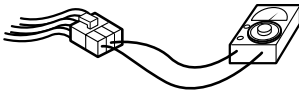
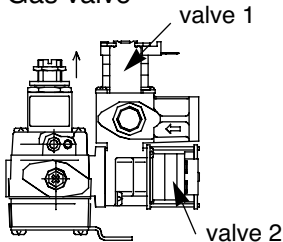
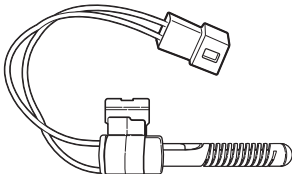
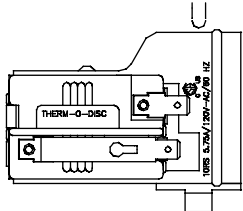
Default settings can be adjusted by users.

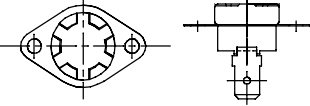
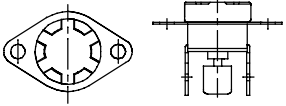
5

COMPONENT TESTING INFORMATION

⚠ CAUTION When checking the Component, be sure to turn the power off, and do voltage discharge sufficiently.

Component	Test Procedure	Check result	Remark
1. Thermal cut off  • Check Top Marking : N130	Measure resistance of terminal to terminal ① Open at 266 ± 12°F (130 ± 7°C) ② Auto reset -31°F (-35°C) Same shape as Outlet Thermostat.	If thermal fuse is open must be replaced ① Resistance value ≒ ∞ ② Continuity (250°F ↓) < 1Ω	• Heater case-Safety • Electric type
2. Hi limit Thermostat (Auto reset) 	Measure resistance of terminal to terminal ① Open at 257 ± 9°F (125 ± 5°C) ② Close at 221 ± 9°F (105 ± 5°C)	① Resistance value ≒ ∞ ② Resistance value < 5Ω	• Heater case - Hi limit • Electric type
3. Outlet Thermostat (Auto reset)  • Check Top Marking : N85	Measure resistance of terminal to terminal ① Open at 185 ± 9°F (85 ± 5°C) ② Close at 149 ± 9°F (65 ± 5°C) Same shape as Thermal cut off.	① Resistance value ≒ ∞ ② Resistance value < 5Ω	• Blow housing - Safety • Electric type
4. Lamp holder 	Measure resistance of terminal to terminal	Resistance value : 80Ω ~ 100Ω	
5. Door switch 	Measure resistance of the following terminal 1) Door switch knob : open ① Terminal : "COM" - "NC" (1-3) ② Terminal : "COM" - "NO" (1-2) 2) Door switch push : push ① Terminal : "COM" - "NC" (1-3) ② Terminal : "COM" - "NO" (1-2)	① Resistance value < 1Ω ② Resistance value ≒ ∞ ① Resistance value ≒ ∞ ② Resistance value < 1Ω	The state that Knob is pressed is opposite to Open condition.
6. Idler switch 	Measure resistance of the following terminal : "COM - NC"	1. lever open ① Resistance value < 1Ω 2. Lever push (close) ② Resistance value ≒ ∞	

Component	Test Procedure	Check result	Remark
7. Heater 	Measure resistance of the following terminal ① Terminal : 1 (COM) - 2 ② Terminal : 1 (COM) - 3 ③ Terminal : 2 - 3	① Resistance value : 10Ω ② Resistance value : 10Ω ③ Resistance value : 20Ω	<ul style="list-style-type: none"> • Electric type
8. Thermistor 	Measure resistance of terminal to terminal Temperature condition : 58°F ~ (10~40°C) 58°F ~ 104F (10~40°C)	Resistance value : 10Ω	<ul style="list-style-type: none"> • Heater case - Hi limit • Electric type
9. Motor			<ul style="list-style-type: none"> • See Page 13
10. Gas valve 	Measure resistance of the following terminal ① Valve 1 terminal ② Valve 2 terminal	① Resistance value : > 1.5kg ~ ② Resistance value : > 1.5~2.5kg	<ul style="list-style-type: none"> • Gas type
11. Igniter 	Measure resistance of terminal to terminal	Resistance value : 100~800Ω	<ul style="list-style-type: none"> • Gas type
12. Frame Detect 	Measure resistance of terminal to terminal ① Open at 370°F ((Maximum) ② Close at 320°F	① Resistance value ≒ ∞ ② Resistance value < 1Ω	<ul style="list-style-type: none"> • Gas type

Component	Test Procedure	Check result	Remark
<p>13. Outlet Thermostat (Auto reset)</p>  <p>• Check Top Marking : N95</p>	<p>Measure resistance of terminal to terminal</p> <p>① Open at $203 \pm 7^{\circ}\text{F}$ ($95 \pm 5^{\circ}\text{C}$) ② Close at $158 \pm 9^{\circ}\text{F}$ ($70 \pm 5^{\circ}\text{C}$)</p>	<p>① Resistance value $\neq \infty$ ② Continuity $< 1\Omega$</p>	<p>• Gas type • Gas funnel</p>
<p>13. Outlet Thermostat (Manual reset)</p>  <p>• Check Top Marking : N100</p>	<p>Measure resistance of terminal to terminal</p> <p>① Open at $212 \pm 12^{\circ}\text{F}$ ($100 \pm 7^{\circ}\text{C}$) ② Manual reset</p>	<p>If thermal fuse is open must be replaced</p> <p>① Resistance value $\neq \infty$ ② Continuity $< 1\Omega$</p>	<p>• Gas type • Gas funnel</p>

6

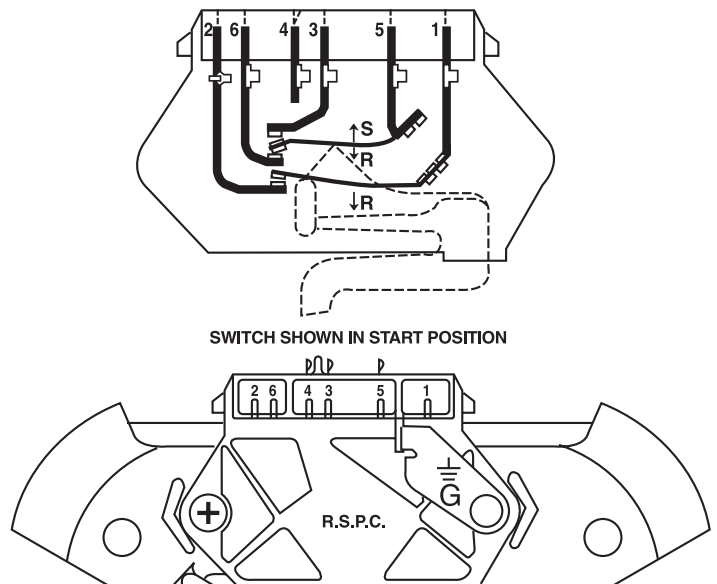
MOTOR DIAGRAM AND SCHEMATIC

NOTE When checking Component, be sure to turn Power off, then do voltage discharge sufficiently.

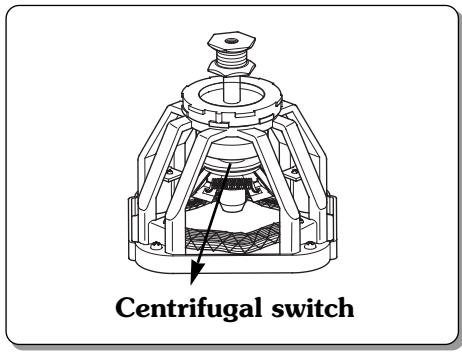
■ Contact On / Off by Centrifugal Switch

Terminal No		①	②	③	④	⑤	⑥	Remark
Mode	Resistance							
Motor STOP	2 ~ 3Ω				●—●			Motor
	≒ ∞	●—●						Heater (Electric Models)
	≒ ∞			●—●			●	Gas Valve (Gas Models)
Motor RUN	3 ~ 5Ω				●—●			Motor
	< 1Ω	●—●						Heater (Electric Models)
	< 1Ω			●—●			●	Gas Valve (Gas Models)

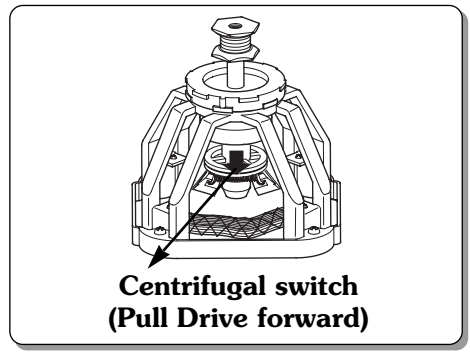
..... Open
 ————— Close



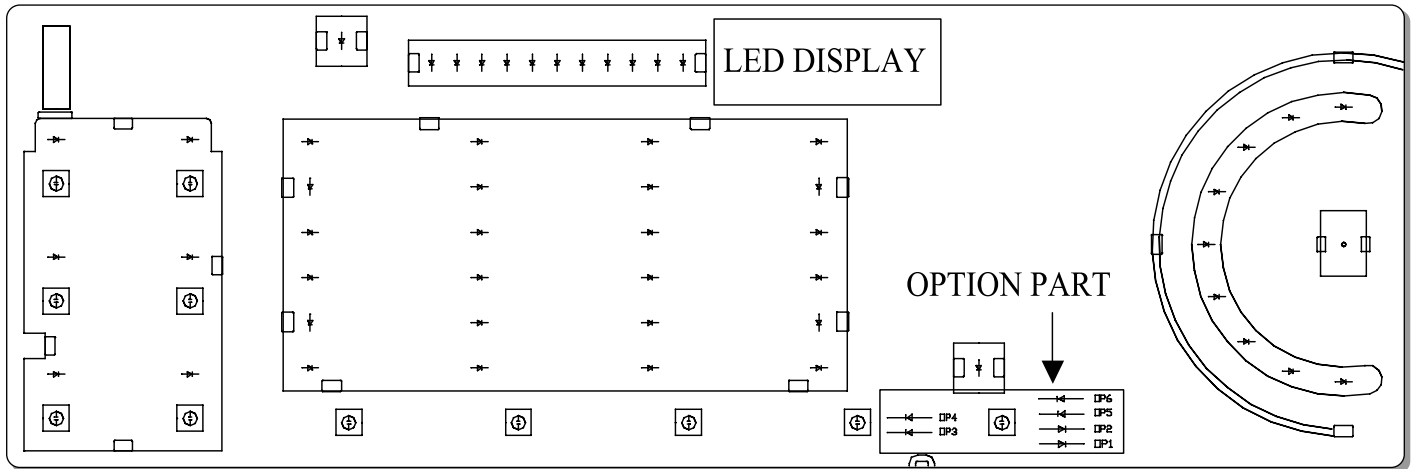
■ STOP MODE
 (When Motor does not operate)



■ RUN MODE
 (Motor operates)



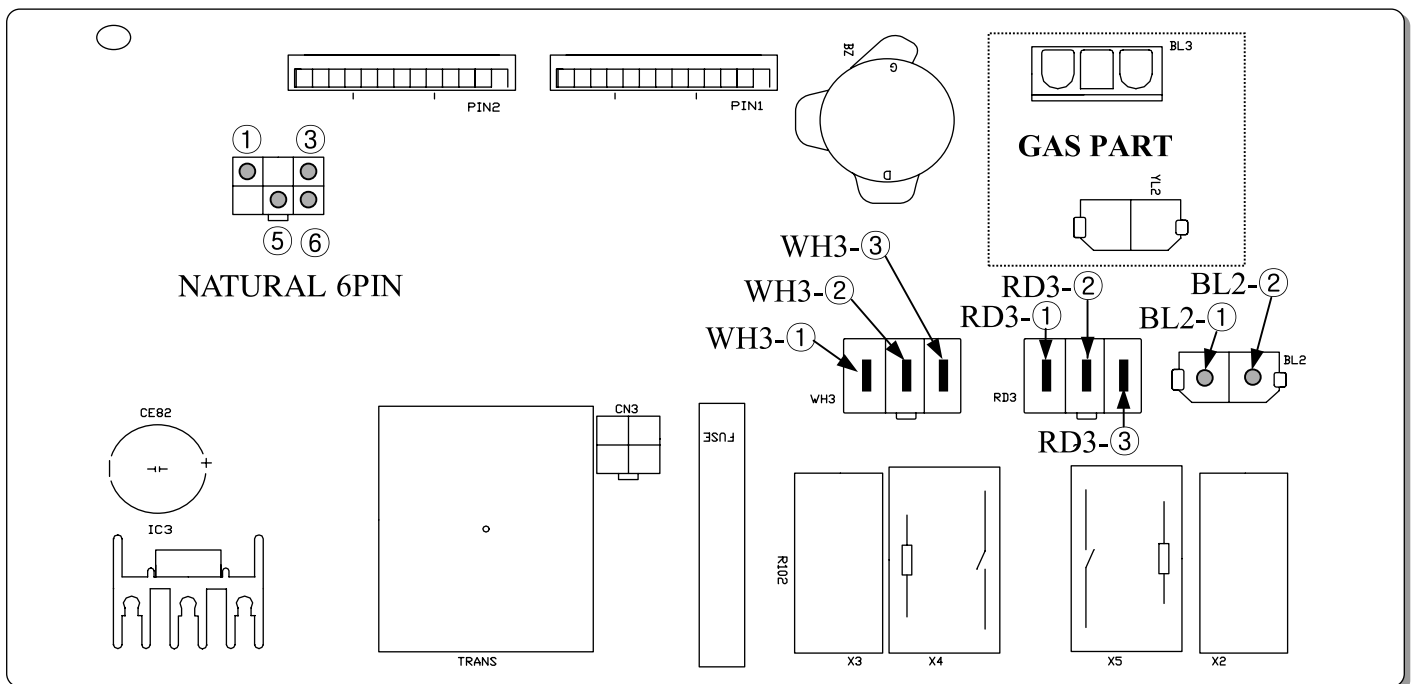
PWB ASSEMBLY DISPLAY LAY-OUT



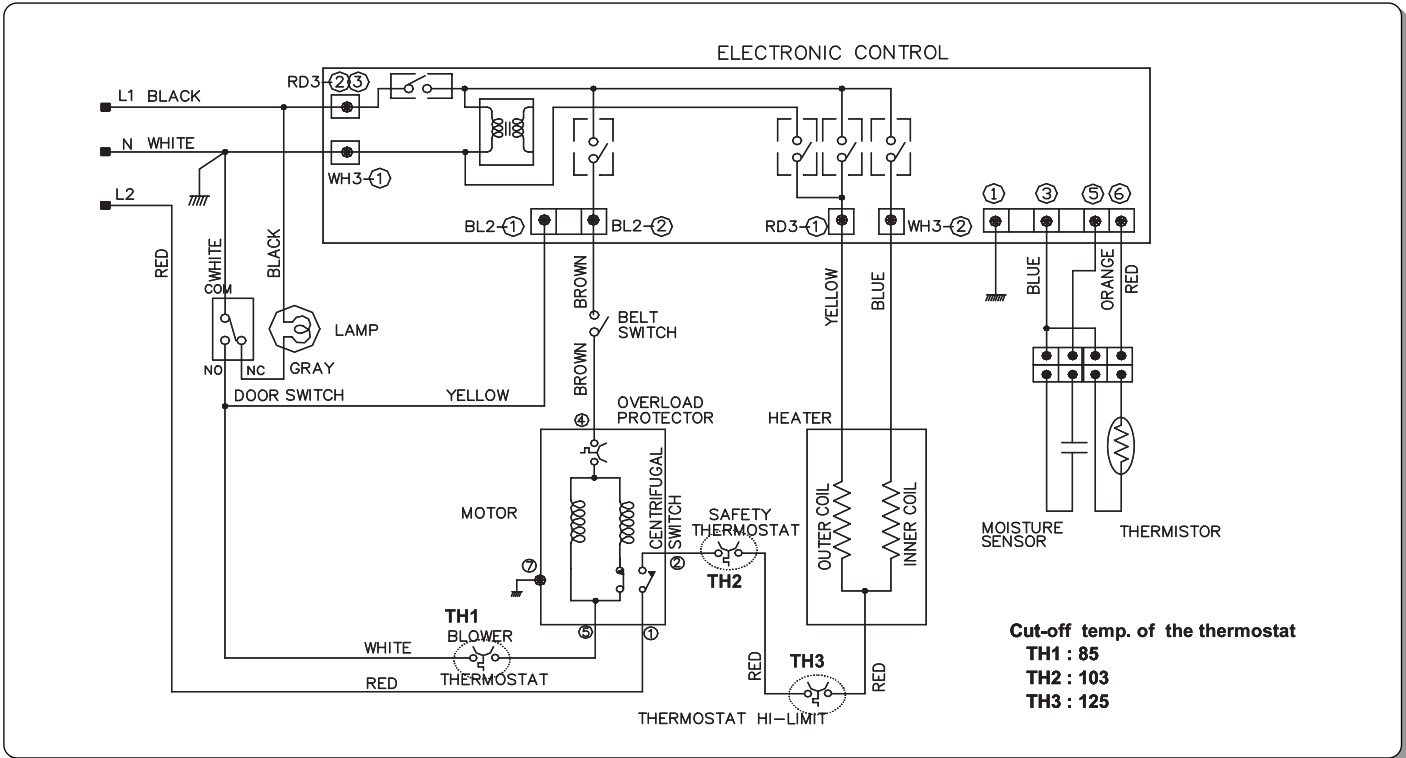
※ MODEL DISPLAY AS DIAGNOSTIC TEST

MODEL	OPTION PART						LED DISPLAY	P/No
	OP 1	OP 2	OP 3	OP 4	OP 5	OP 6		
DLE5932W/S	X	X	X	X	X	X	18:20	6871EC2025F
DLG5932W	X	X	O	X	X	X	19:20	6871EC2025G
DLE5911W	X	O	X	X	X	X	18:21	6871EC2025H
DLG5911W	X	O	O	X	X	X	19:21	6871EC2025J

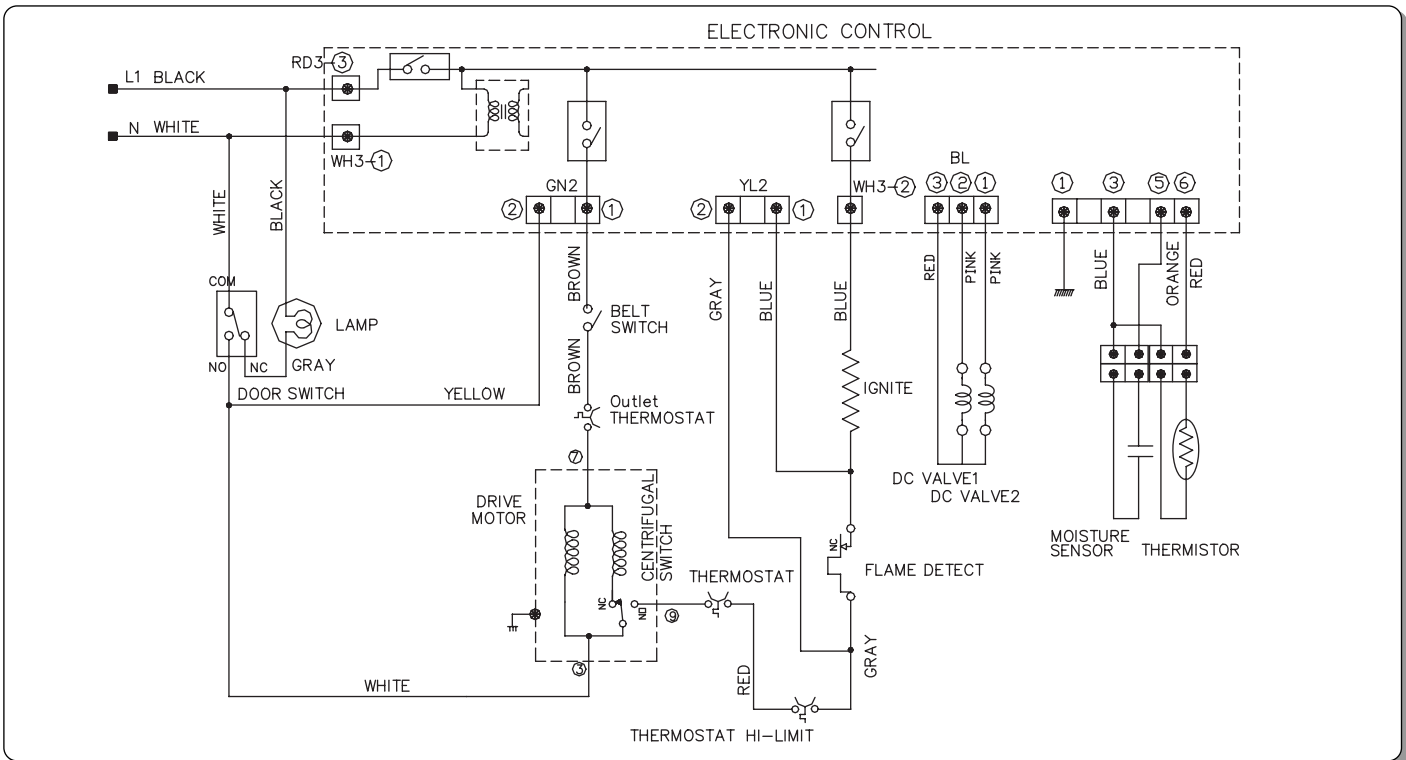
PWB ASSEMBLY LAY-OUT



ELECTRIC DRYER WIRING DIAGAM




GAS DRYER WIRING DIAGAM




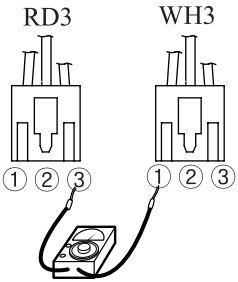
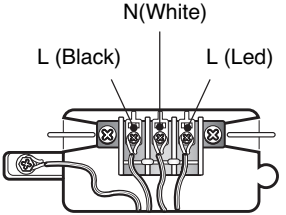
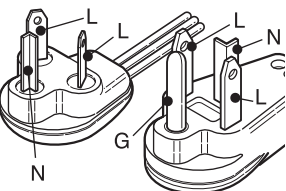
1. This TEST should be used for Factory test /Service test. Do not use this DIAGNOSTIC TEST other than specified.
2. Activating the Heater manually with the Door open may trip the Thermostat attached to the Heater, therefore do not activate it manually. (Do not press the door switch to operate the heater while the door is open)

■ ACTIVATING THE DIAGNOSTIC TEST MODE

1. Unit must be in Standby (unit plugged in, display off)
2. Press "POWER" while pressing "MORE TIME", and "LESS TIME" simultaneously.

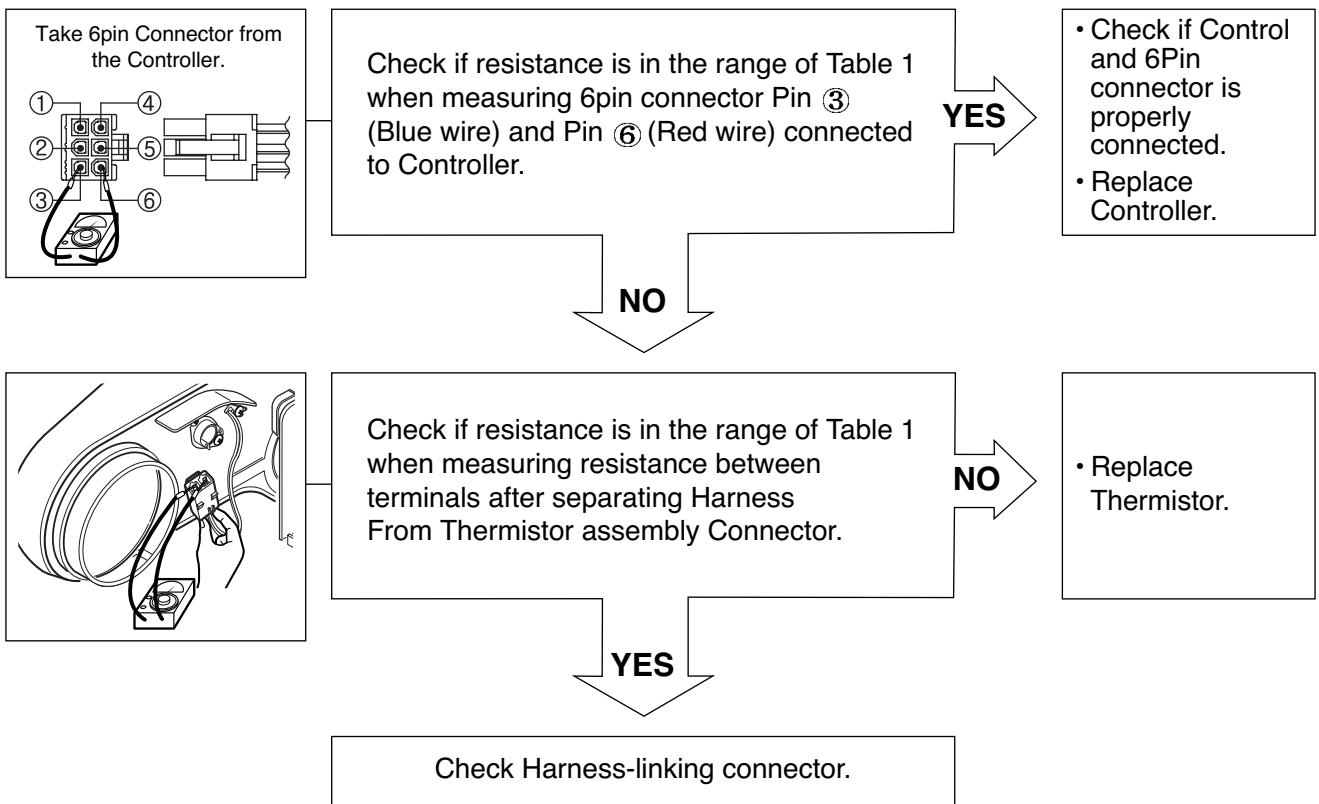
Pressing the "START/PAUSE" button	CHECKING ACTION	DISPLAY	CHECKING POINT	REMARK
None	Electric control & Temperature sensor		Won't power up Defective LED	See test 1 Display : See page
		1E OE	Thermistor open	See test 2
		1E OE	Thermistor close	
Once	Motor	70 ~ 237 Measured Moisture Value.	Motor runs	See test 3
			Displays Moisture Sensor Operation: If moisture sensor is contacted with damp cloth. The display number is below 180, in normal condition.	See test 4
Twice	<ul style="list-style-type: none"> ■ ELECTRIC TYPE Motor + Heater 1 (1250W) ■ GAS TYPE Motor + Valve 	Current Temp.	<ul style="list-style-type: none"> ■ ELECTRIC TYPE : Heater runs ■ GAS TYPE : GAS Valve runs (Display the Temperature of Inside drum.) 	Gas valve See test 7
3 times	<ul style="list-style-type: none"> ■ ELECTRIC TYPE Motor + Heater 1 + Heater 2 (5400W) ■ GAS TYPE Motor Type 	Current Temp. (5 ~ 70)	<p>In normal state if displayed temp. is increasing.</p> <p>Temperature in 4min : 113°F (45°C)</p> <ul style="list-style-type: none"> • Above : 1" on , 1" off beep sound • Under : 0.5" on, 0.5" off beep sound 	See test 5 ※ Off automatically after 5 minutes
During check, If the door is open.	Motor & Heater Off + Lamp On + Buzzer beeps five times	dE	Door switch	See test 6
			Lamp	
During check, If the door is closed.	Motor & Heater Off + Lamp Off	70 ~ 237	Return once "1time" (See test 4) state.	
4 times	Control Off		Auto Off	

■ Test 1 120VAC Electrical supply

<p>Caution</p>	<p>When measuring power, be sure to wear insulated gloves, to and avoid an electric shock.</p>	
<p>Trouble Symptom</p>	<p>No power was applied to Controller. (LED, Display off)</p>	
<p>Measurement Condition</p>	<p>With Dryer Power On; Connector linked to Controller.</p>	
	<p>Check the outlet, is the voltage 110V ~ 125V AC?</p>	<p>NO</p> <ul style="list-style-type: none"> • Check the fuse or circuit breaker.
<p>YES</p>		
	<p>Check if the voltage measured between Connector "RD3-③" (Black) linked to the Controller and "WH3-①" (White) is 110V ~ 125V?</p>	<p>NO</p> <ul style="list-style-type: none"> • Check if Power Cord is properly connected.
<p>YES</p>		
	<p>① Check if the Controller wire is disconnected. ② Check if Terminal Block and Power Cord are connected (Check Plug). - Does Power Cord N(Natural) line match to Terminal Center N(Natural) line?</p>	<p>NO</p> <ul style="list-style-type: none"> • Reconnect the controller.
<p>YES</p>		
	<p>Replace controller.</p>	

■ Test 2 Thermistor Test --- Measure with Power Off

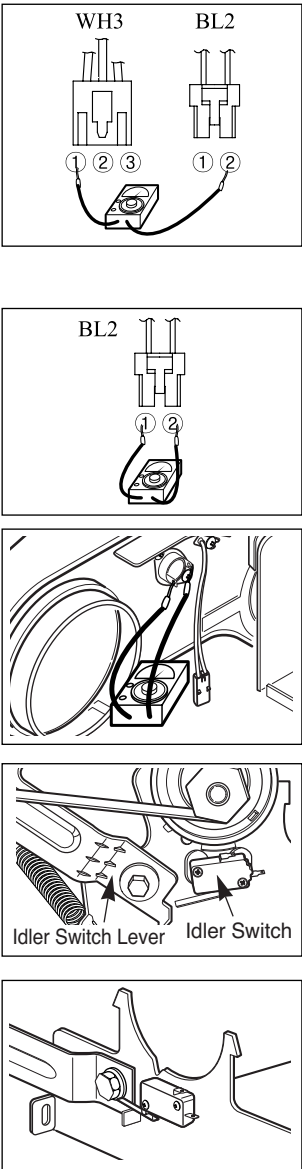
Caution	Before measuring resistance, be sure to turn Power off, and do voltage discharge. (When discharging, contact the metal plug of Power cord with the Ground.)
Trouble Symptom	<ul style="list-style-type: none"> ① During Diagnostic Test, tE1 and tE2 Error occur. ② During operation, Heater would not turn off, or remains on. ③ Difference between actual and sensed temperature is significant.
Measurement Condition	After turning Power off, measure the resistance.



■ Table 1. Resistance for Thermistor Temperature.

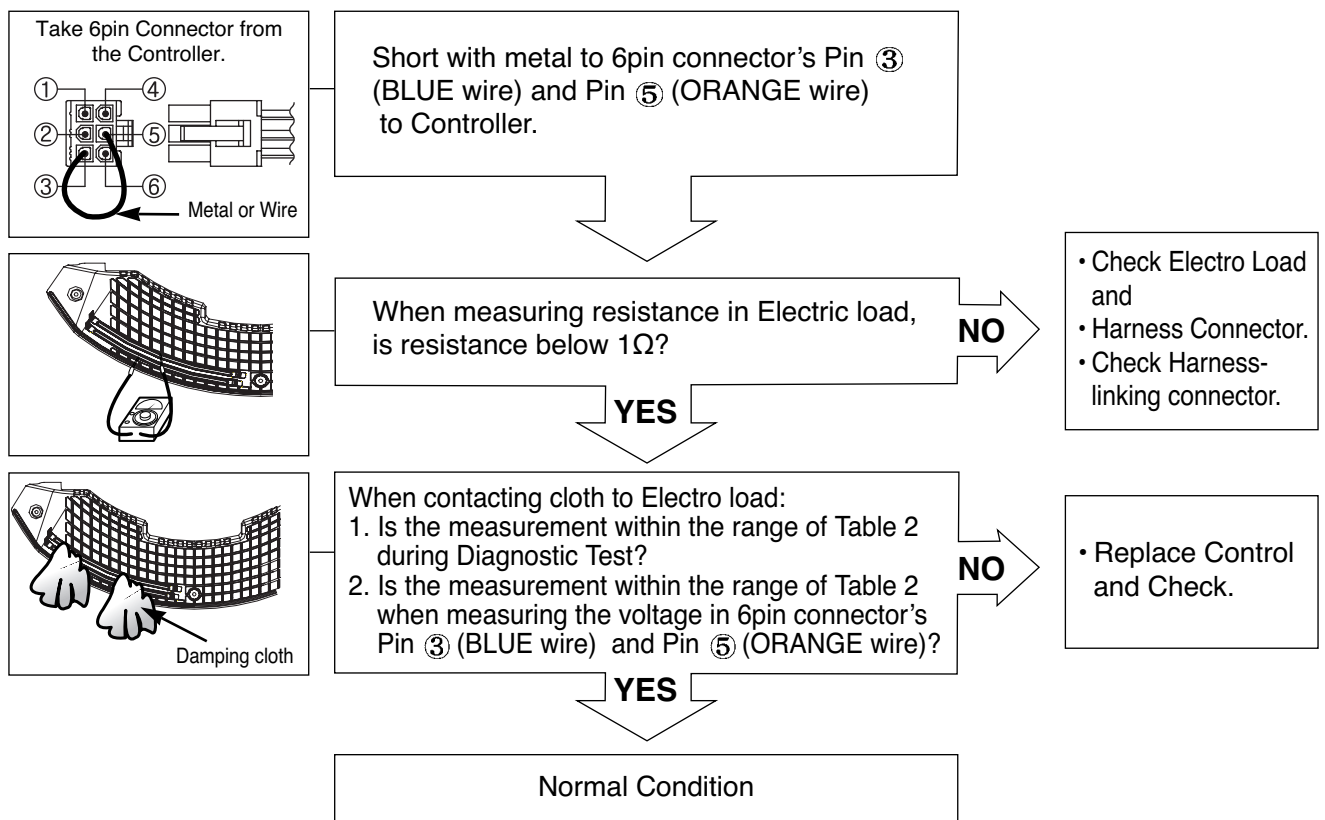
Air TEMP.[°F (°C)]	RES. [kΩ]	Air TEMP.[°F (°C)]	RES. [kΩ]	Air TEMP.[°F (°C)]	RES. [kΩ]
50°F (10°C)	18.0	90°F (32°C)	7.7	130°F (54°C)	2.9
60°F (16°C)	14.2	100°F (38°C)	6.2	140°F (60°C)	3.0
70°F (21°C)	11.7	110°F (43°C)	5.2	150°F (66°C)	2.5
80°F (27°C)	9.3	120°F (49°C)	4.3	160°F (71°C)	2.2

■ Test 3 Motor test

<p>Caution</p>	<p>Before measuring resistance, be sure to turn Power off, and do voltage discharge. (When discharging, contact the metal plug of Power cord with earth line.)</p>	
<p>Trouble Symptom</p>	<p>Drum will not rotate; No fan will function; No Heater will work.</p>	
<p>Measurement Condition</p>	<p>Turn the Dryer's Power Off, then measure resistance.</p>	
	<p>Is resistance below 3Ω between Connector "WH3-①" (White wire) and "BL2-②" (Brown wire)? ※ Measure while door is closed.</p> <p style="text-align: right;">YES</p> <p style="text-align: center;">↓ NO</p> <p>Is resistance below 3Ω between Connector "WH3-①" (White wire) and "BL2-①" (Yellow wire)? ※ Measure while door is closed.</p> <p style="text-align: right;">NO</p> <p style="text-align: center;">↓ YES</p> <p>Is resistance below 3Ω between Connector "BL2-①" (Yellow wire) and "BL2-②" (Brown wire)?</p> <p style="text-align: right;">YES</p> <p style="text-align: center;">↓ NO</p> <p>Is resistance below 1Ω between terminals of Outlet Thermostat attached to blower housing?</p> <p style="text-align: right;">NO</p> <p style="text-align: center;">↓ YES</p> <p>Does Idle Switch attached to Motor Bracket operate Level by drum belt? (Not operating Level is normal.)</p> <p style="text-align: right;">YES</p> <p>Is resistance below 1Ω between Idler Switch terminals?</p> <p style="text-align: right;">NO</p> <p style="text-align: center;">↓ YES</p>	<ul style="list-style-type: none"> • Replace Control. (Relay check) • Check Controller connector. <ul style="list-style-type: none"> • Check if Door flame presses door switch knob. • Check Door Switch. • Check Harness connection. <ul style="list-style-type: none"> • Replace Control. (Relay check) • Check Controller connector. <ul style="list-style-type: none"> • Replace Outlet • Thermostat. (Refer to 'Component') <ul style="list-style-type: none"> • Check Idler Assembly. • Drum Belt cuts off • Drum Belt takes off from • Motor Pulley. <ul style="list-style-type: none"> • Replace Idler Switch. <ul style="list-style-type: none"> • Check Motor. (Refer to 'Motor Diagram & Check') • Check if Control Connector is contacted.

■ Test 4 Moisture sensor

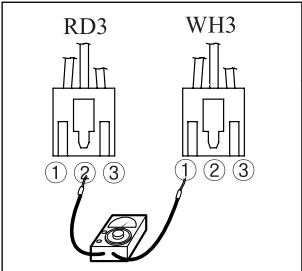
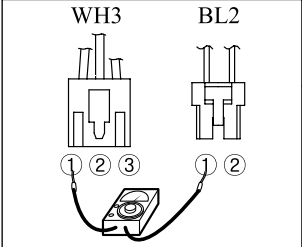
Caution	Before measuring resistance, be sure to turn Power off, and do voltage discharge. (When discharging, contact the metal plug of Power cord with earth line.)
Trouble Symptom	Degree of dryness does not match with Dry Level.
Measurement Condition	Turn the Dryer's Power Off, then measure resistance.



■ Table 2. IMC Ratio and Display Value / Voltage (IMC : Initial Moisture Content)

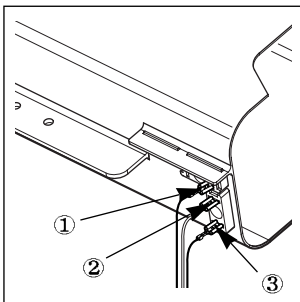
IMC	Display Value	Voltage(DC) (between 6Pin terminal ③,⑤)	Remark
70% ~ 40%	50 ~ 130	2.5V	Weight after removing from Washing Machine
40% ~ 20%	100 ~ 20	2.0V ~ 4.0V	Damp Dry
10% ~ Dried clothes	205 ~ 240	Over 4.0V	Completely-dried clothes

■ Test 5 Door switch test

<p>Caution</p>	<p>Before measuring resistance, be sure to turn Power off, and do voltage discharge. (When discharging, contact the metal plug of Power cord with earth line.)</p>
<p>Trouble Symptom</p>	<p>Door Opening is not sensed.(During operation, when opening Door, Drum motor and Heater run continuously; Door Close is not sensed. (Drum motor will not operate. Display will flash at 0.5 second intervals.)</p>
<p>Measurement Condition</p>	<p>After turning Dryer Power Off, measure resistance.</p>
<div style="display: flex; flex-direction: column; align-items: flex-start;"> <div style="display: flex; width: 100%; margin-bottom: 20px;"> <div style="width: 20%; text-align: center;">  </div> <div style="width: 60%; padding-left: 10px;"> <p>Measure while Door is closed. Check if resistance is below 250Ω between “WH3-①” (White wire) and “RD3-②”(Black wire) Connector WH3, RD3 after taking WH3, RD3 out from Controller.</p> <p style="text-align: right;">YES →</p> </div> <div style="width: 15%; text-align: center;"> <p>NO ↓</p> </div> </div> <div style="display: flex; width: 100%; margin-bottom: 20px;"> <div style="width: 20%;"></div> <div style="width: 60%; padding-left: 10px;"> <p>Measure while Door is open. Check if resistance is 300~60Ω between “WH3-①” (White wire) and “RD3-②” (Black wire) Connector WH3, RD3 after taking WH3, RD3 out from Controller.</p> <p style="text-align: right;">NO →</p> </div> <div style="width: 15%; text-align: center;"> <p>YES ↓</p> </div> </div> <div style="display: flex; width: 100%; margin-bottom: 20px;"> <div style="width: 20%; text-align: center;">  </div> <div style="width: 60%; padding-left: 10px;"> <p>Measure while Door is open. Check if resistance is below 1Ω between “BL2-①” (Yellow wire) and “WH3-①” (White wire) after taking Connector WH3, BL2 out from Controller.</p> <p style="text-align: right;">YES →</p> </div> <div style="width: 15%; text-align: center;"> <p>NO ↓</p> </div> </div> <div style="display: flex; width: 100%; margin-bottom: 20px;"> <div style="width: 20%;"></div> <div style="width: 60%; padding-left: 10px;"> <p>Measure while Door is closed. Check if resistance is below 1Ω between “BL2-①” (Yellow wire) and “WH3-①” (White wire) after taking Connector WH3, BL2 out from Controller.</p> <p style="text-align: right;">NO →</p> </div> <div style="width: 15%; text-align: center;"> <p>YES ↓</p> </div> </div> <div style="width: 100%; text-align: center; border: 1px solid black; padding: 5px;"> <p>Check Controller. Check Harness-linking connector.</p> </div> </div> <div style="display: flex; justify-content: space-between; margin-top: 20px;"> <div style="width: 60%;"></div> <div style="width: 35%;"> <ul style="list-style-type: none"> • Door switch Check (Refer to Component testing.) </div> </div> <div style="display: flex; justify-content: space-between; margin-top: 20px;"> <div style="width: 60%;"></div> <div style="width: 35%;"> <ul style="list-style-type: none"> • Check Lamp. (When opening Lamp, replace then measure again.) • Door switch Check(Refer to Component testing.) </div> </div> <div style="display: flex; justify-content: space-between; margin-top: 20px;"> <div style="width: 60%;"></div> <div style="width: 35%;"> <ul style="list-style-type: none"> • Door switch Check (Refer to Component testing.) </div> </div> <div style="display: flex; justify-content: space-between; margin-top: 20px;"> <div style="width: 60%;"></div> <div style="width: 35%;"> <ul style="list-style-type: none"> • Door switch Check (Refer to Component testing.) </div> </div>	

■ Test 6 Heater switch test - Electric Type

Caution	Before measuring resistance, be sure to turn Power off, and do voltage discharge. (When discharging, contact the metal plug of Power cord with earth line.)
Trouble Symptom	While operating, Heating will not work. Drying time takes longer.
Measurement Condition	After turning Power off, measure the resistance.

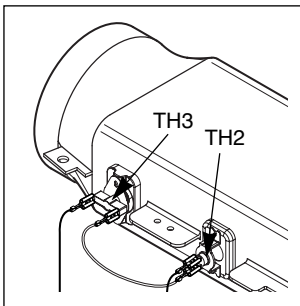


1. Is resistance between Heater terminal ① and ② below 18 ~ 22Ω?
2. Is resistance between Heater terminal ① and ③ below 18 ~ 22Ω?
3. Is resistance between Heater terminal ② and ③ below 9 ~ 11Ω?

NO

• Replace Heater.

YES



Check if the value of measured resistance is below 1Ω between terminal TH2 (Safety Thermostat).

NO

• Replace TH2 (Safety Thermostat).

YES

Check if the value of measured resistance is below 1Ω between terminal TH3 (HI-Limit Thermostat).

NO

• Replace TH3 (HI-Limit Thermostat).

YES

Check Motor. Check if the value of measured resistance is below 1Ω between terminal ① and ⑩ at RUN condition.

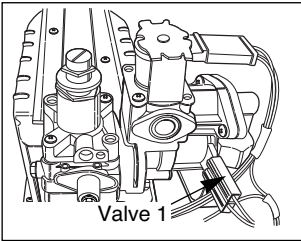
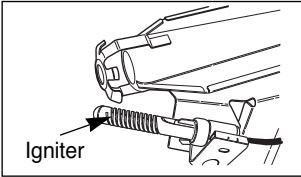
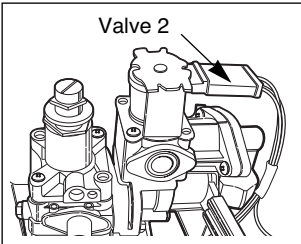
NO

• Check Motor and replace it.

YES

Check Controller.
Check Harness-linking Connector.

■ Test 7 GAS Valve test - Gas Type

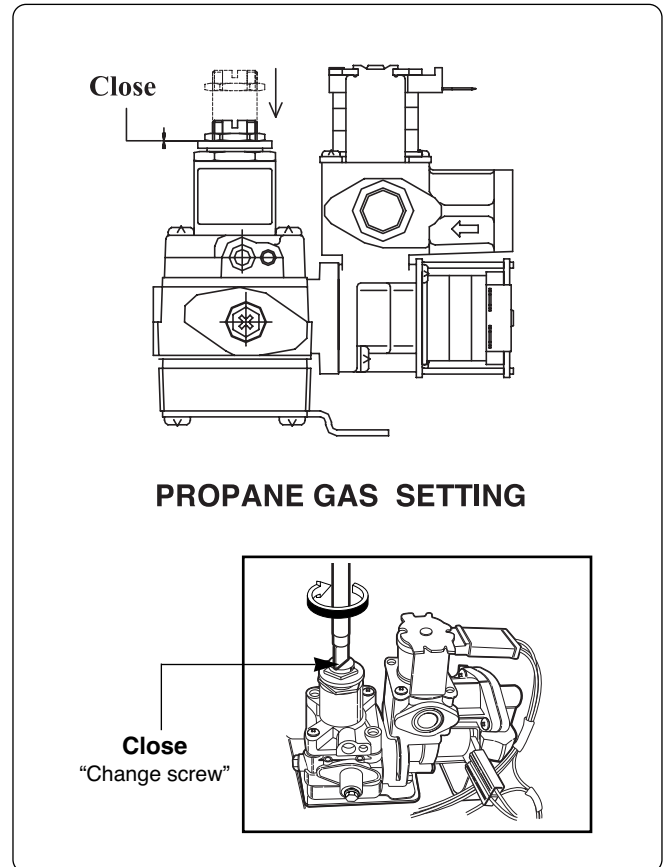
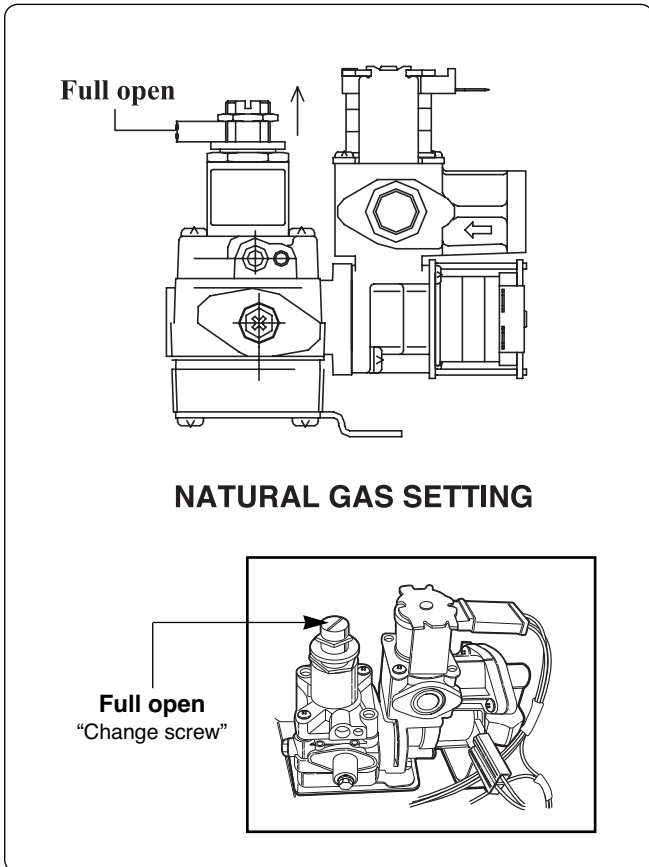
Caution	When measuring power, be sure to wear insulated gloves, to avoid electric shock.	
Trouble Symptom	While operating, Heating will not work. Drying time takes longer.	
Measurement Condition	With dryer power on	
		
<p>Power On & Start (Normal Cycle)</p> <p style="text-align: center;">NO</p>		
<p>When measuring Valve 1 voltage, More than AC 90V?</p>		<p>NO</p> <ul style="list-style-type: none"> • Check thermostat Hi limit Safety
<p style="text-align: center;">YES</p>		
		
<p>Igniter operates? (after 1 min, Igniter becomes reddish)</p>		<p>NO</p> <ul style="list-style-type: none"> • Check Igniter & Frame detect
<p style="text-align: center;">YES</p>		
		
<p>When measuring Valve 2 voltage, Value is more than AC 90V? (10 sec after Igniter off)</p>		<p>YES</p> <ul style="list-style-type: none"> • Check Gas connection or Gas supply
<p style="text-align: center;">NO</p>		
<p>When measuring terminal resistance on "Valve 1", "Valve 2", Value is more than 1.5 ~ 2.5kΩ? (Measure after Off)</p>		<p>YES</p> <ul style="list-style-type: none"> • Change Valve
<p style="text-align: center;">NO</p>		
<ul style="list-style-type: none"> • Harness check • Controller change 		

Warning

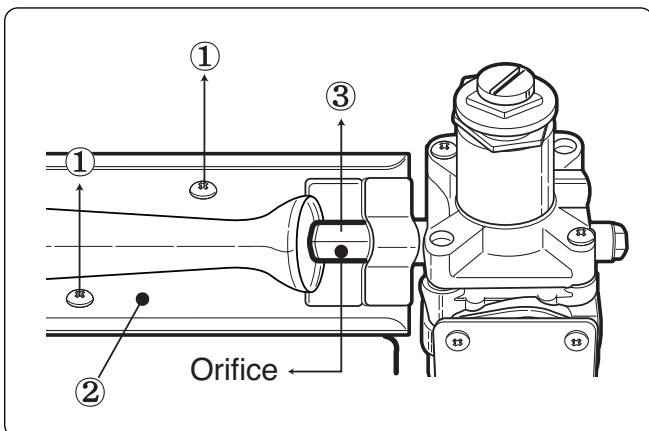
After Natural Gas Setting, applying Propane Gas Orifice or wrong use of Natural Gas Orifice will result in fire. Conversion must be made by a qualified technician.

Initially, Natural Gas mode is set. Propane Gas Orifice is on sale as a Service Part to authorized servicers only.

STEP 1 : VALVE SETTING



STEP 2 : ORIFICE CHANGE

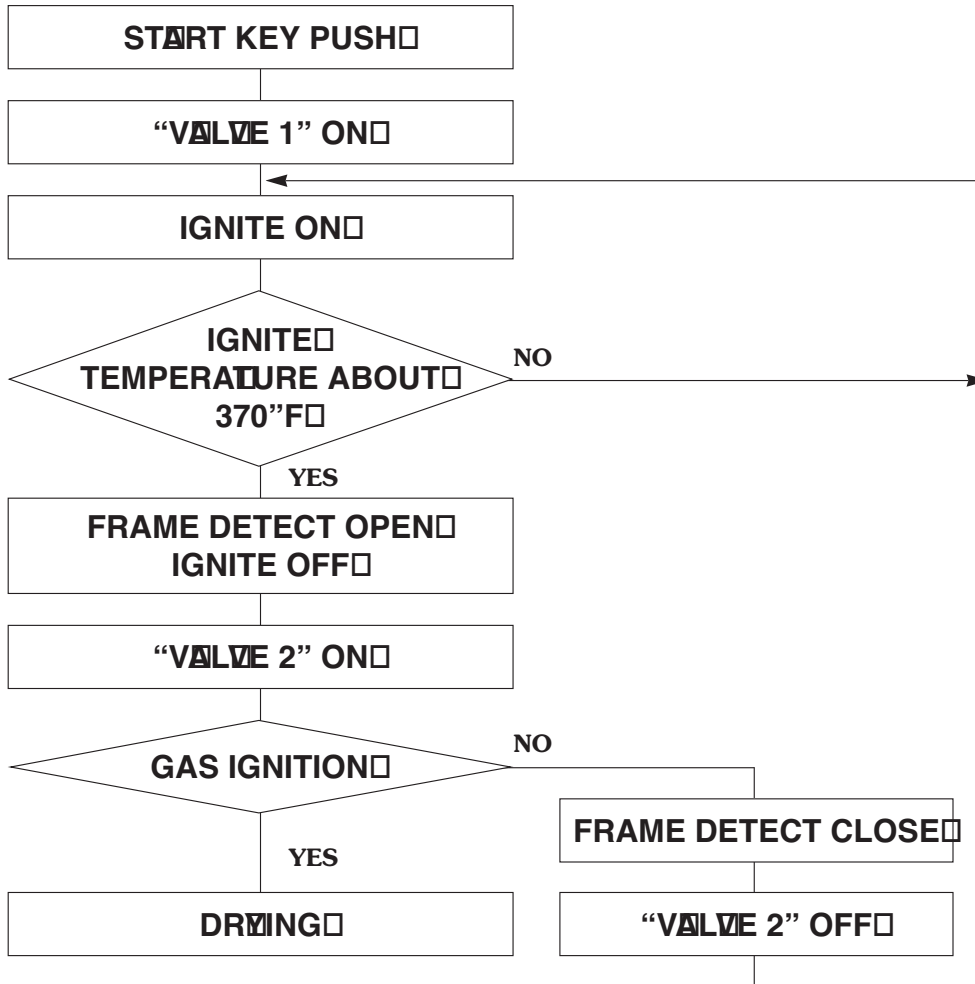


- ① Remove 2 screws.
- ② Disassemble the pipe assembly.
- ③ Replace Natural Gas orifice with Propane Gas orifice.

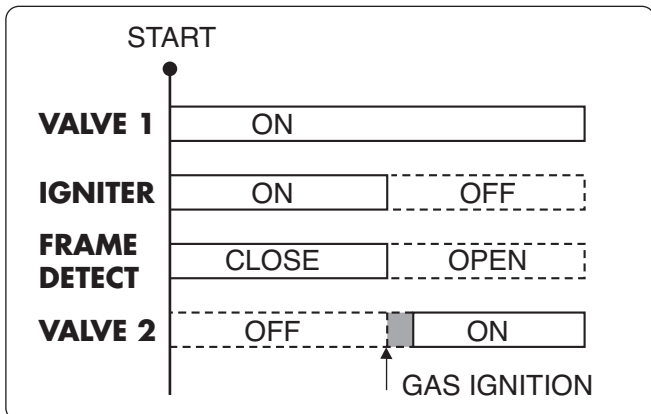
Gas type	Orifice P/No	Marking	Shape
Natural Gas	4948EL4001B	NCU	
Propane Gas	4948EL4002B	PCU	

※ **Kit contents** : Orifice (Dia. = 1.613mm, for Propane Gas)
 : Replace Label
 : Instruction sheet

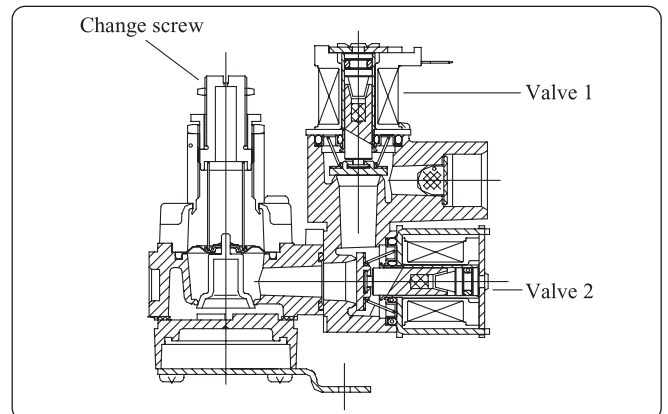
■ GAS VALVE FLOW



GAS IGNITION



GAS VALVE STRUCTURE

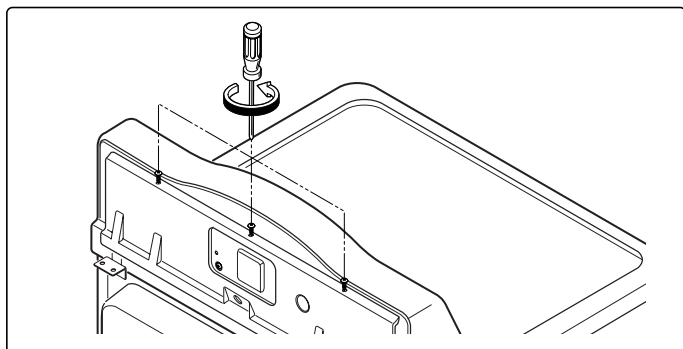


11

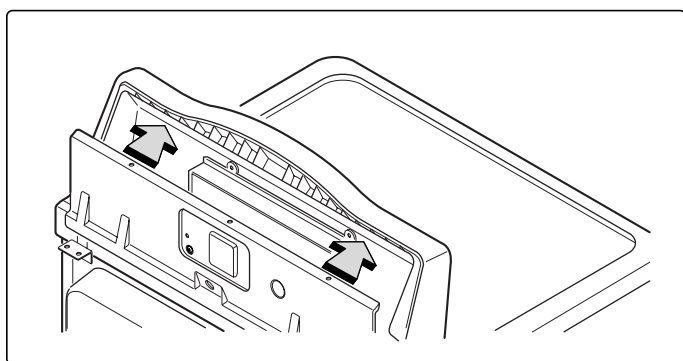
DISASSEMBLY INSTRUCTIONS

* Disassemble and repair the unit only after pulling out power plug from the outlet.

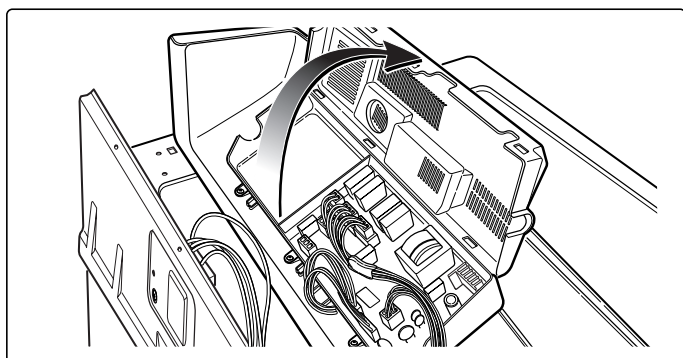
CONTROL PANEL ASSEMBLY



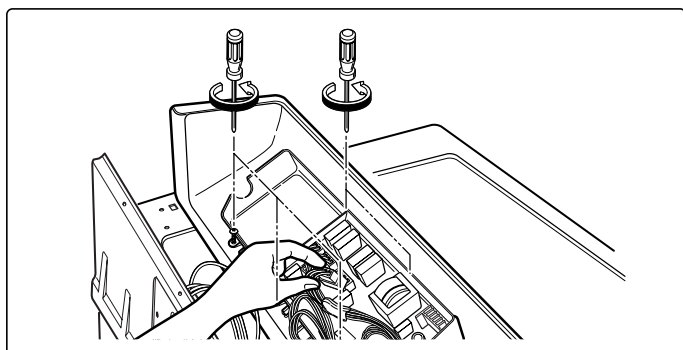
1. Remove 3 screws on the rear Panel.



2. Pull the control panel forward.



3. Open the cover protect.

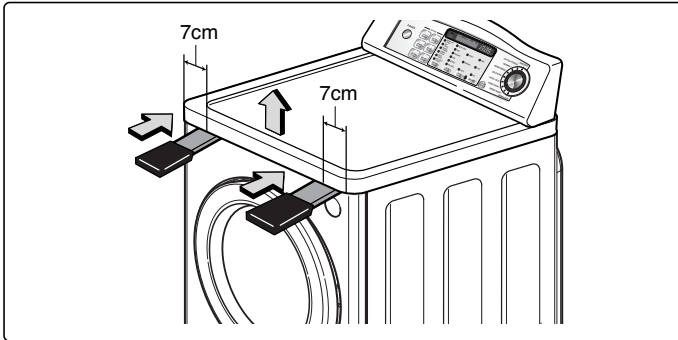


4. Disconnect connectors.

5. Remove 5 screws.

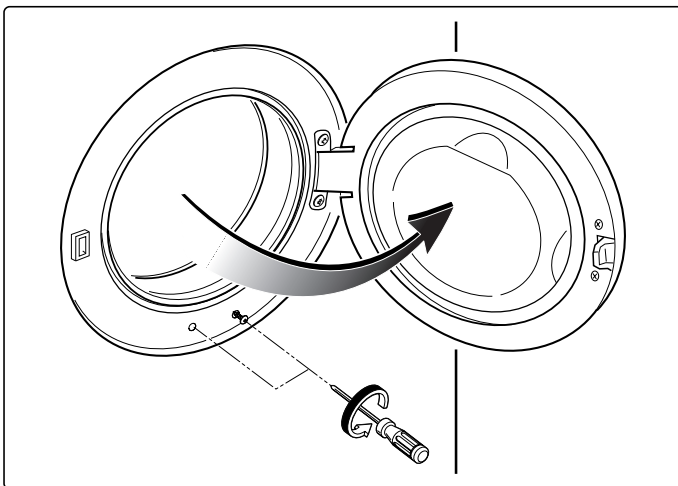
6. Disassemble the controller assembly.

TOP PLATE

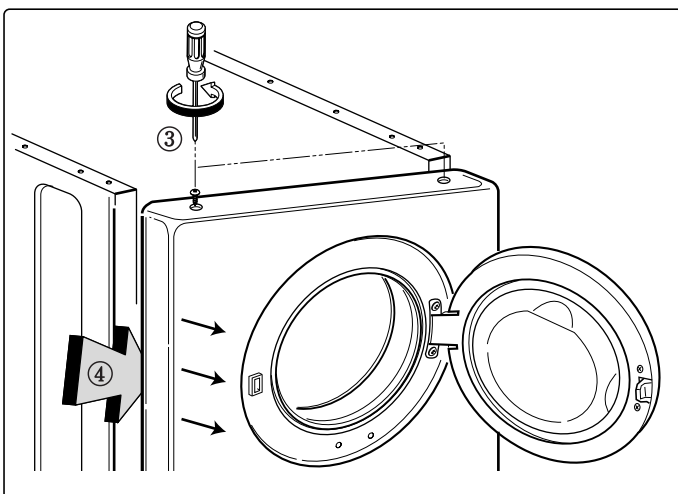


1. Push backward using an opener and lift the top plate.

COVER CABINET

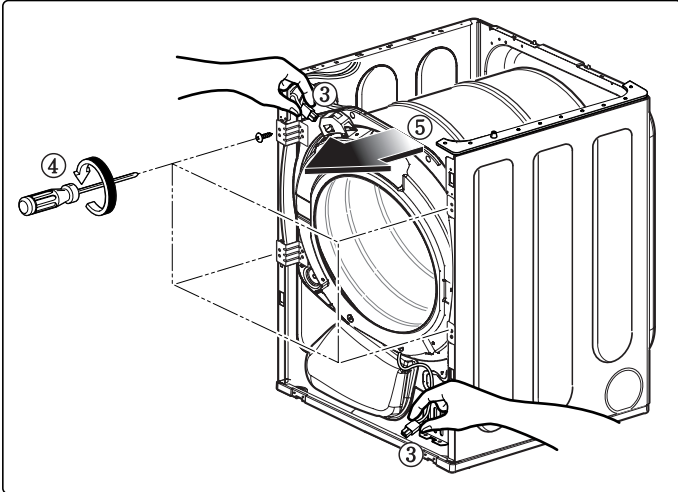


1. Open the top plate.
2. Open the door, Remove 2 screws.



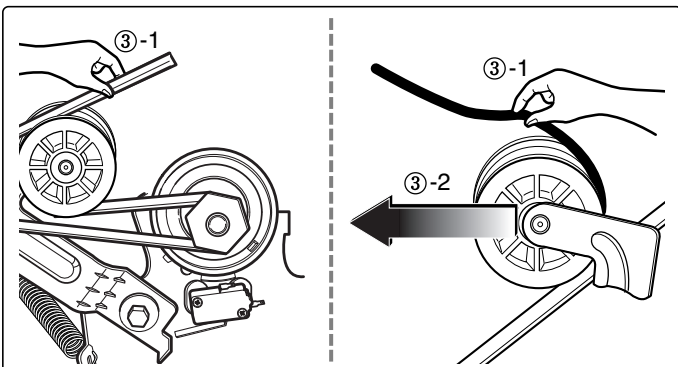
3. Remove 2 screws form upper side.
4. Pull the Cover Cabinet.
5. Disconnect the door switch connector.

TUB DRUM [FRONT]



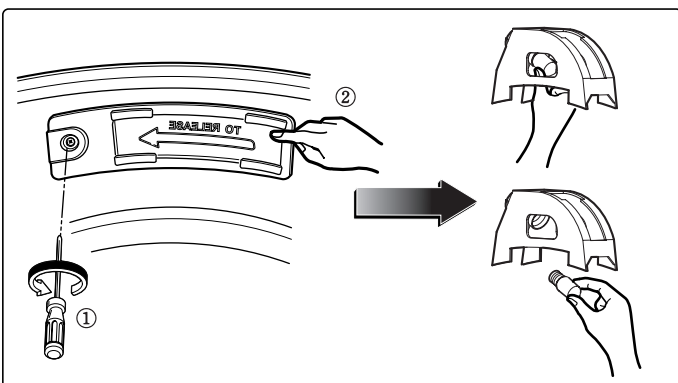
1. Open the top plate.
2. Remove Cover Cabinet.
3. Disconnect the door lamp and electro sensor connector.
4. Remove 4 screws.
5. Disassemble the Tub Drum [Front].

DRUM ASSEMBLY



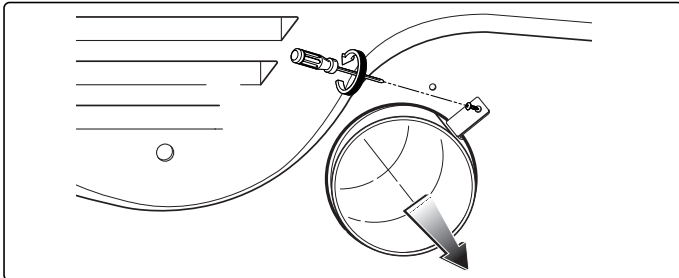
1. Open the top plate.
2. Remove the Cover Cabinet and Tub drum [front].
3. Disengage belt from motor and idler pulleys.
4. Carefully remove Drum out through front of dryer.

CHANGING THE DRUM LAMP

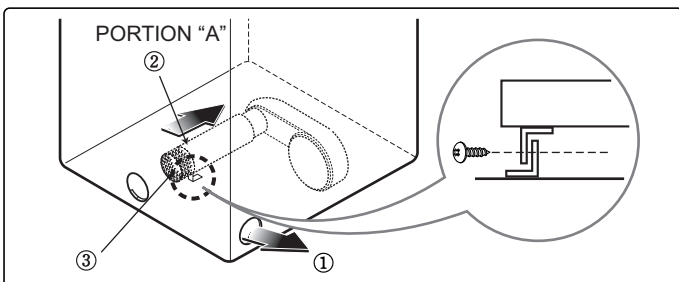


1. Open the door.
2. Remove the screw holding the drum lamp shield in place.
3. Slide the shield up and remove.
4. Remove the bulb and replace with a 15 watt, 120 volt candelabra-base bulb.
5. Replace the lamp shield and screw.

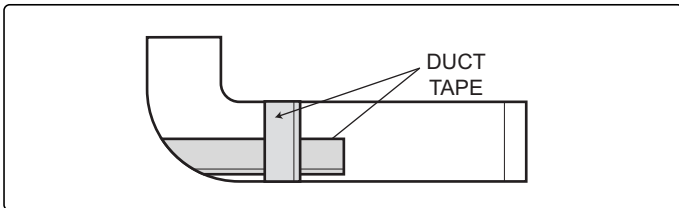
DRYER EXHAUST CHANGE



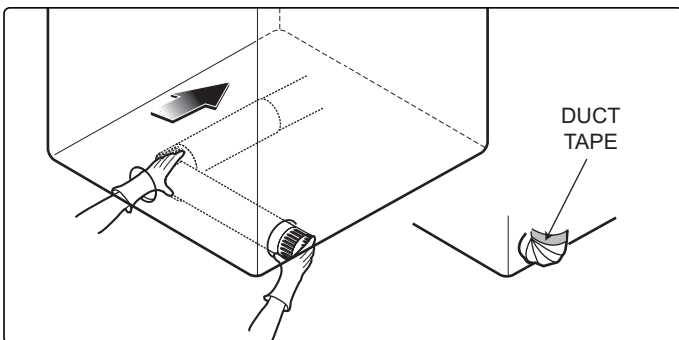
1. Remove screw & exhaust duct.



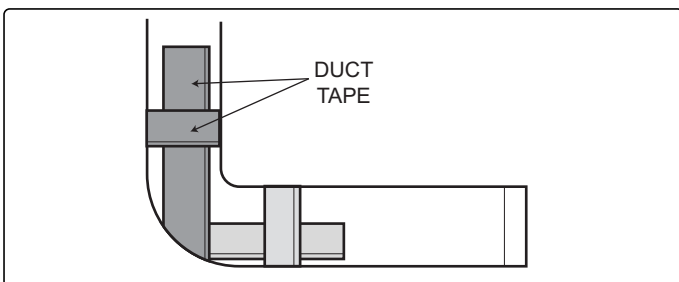
2. Detach and remove the bottom, left or right side knockout as desired.



3. Reconnect the new duct [11 in (28cm)] to the blower housing, and attach the duct to the base.

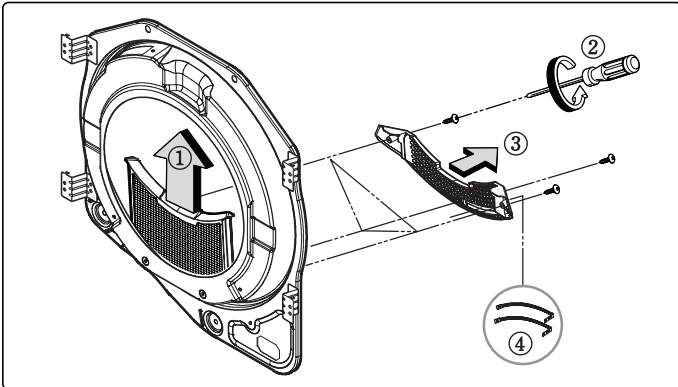


4. Pre-assemble 4" elbow with 4" duct. Wrap duct tape around joint.



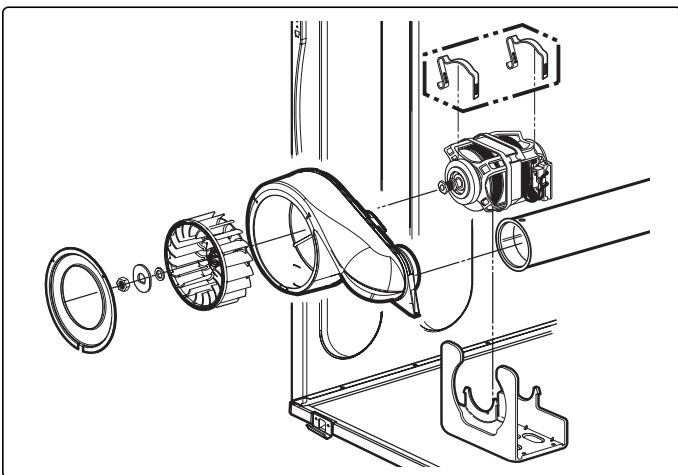
5. Insert duct assembly, elbow first, through the side opening and connect the elbow to the dryer internal duct.

FILTER ASSEMBLY



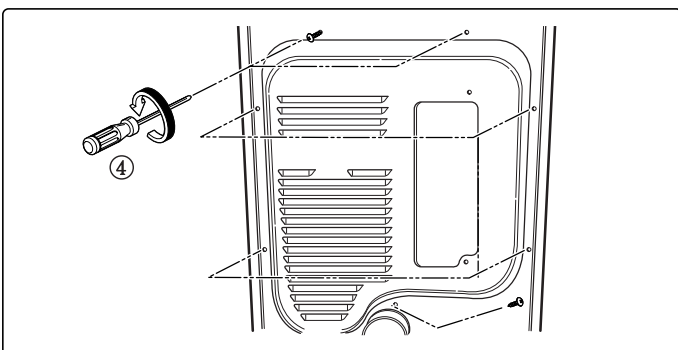
1. Remove the filter.
2. Remove 3 screws.
3. Pull the grill.
4. Disconnect electro sensor.

BLOWER HOUSING



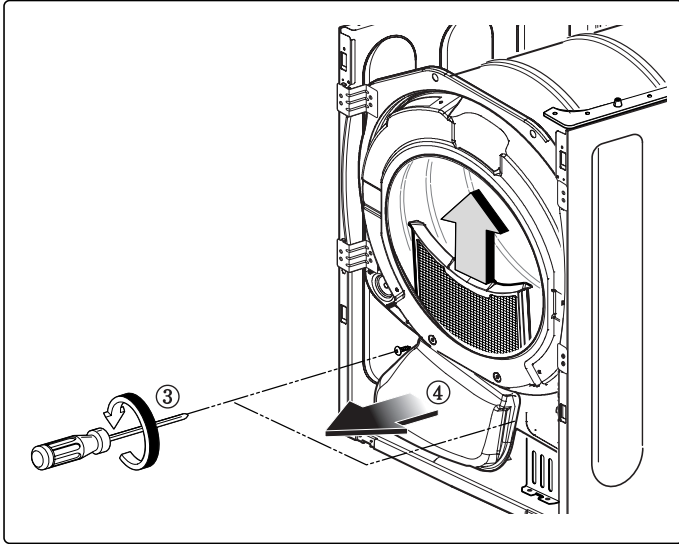
1. Open the top plate.
2. Remove the Cover Cabinet and Tub Drum [Front].
3. Remove the Drum assembly.
4. Remove 2 screws and cover(Air guide).
5. Remove the bolt and washer.
6. Pull the fan.
7. Disconnect the motor clamp and motor.

BACK COVER



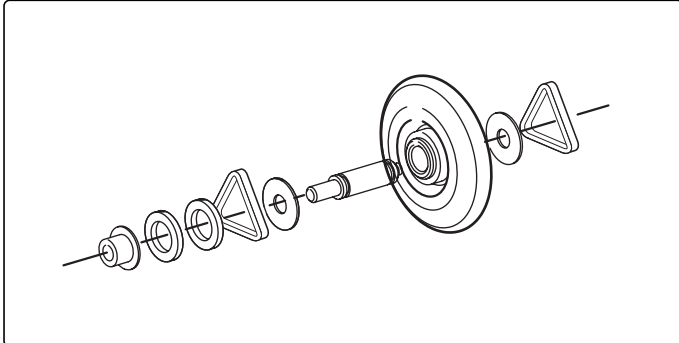
1. Open the top plate.
2. Remove the Cover Cabinet and Tub Drum [Front].
3. Remove the Drum assembly.
4. Remove 7 screws.
5. Pull the Tub Drum [Rear] towards the front.

AIR DUCT



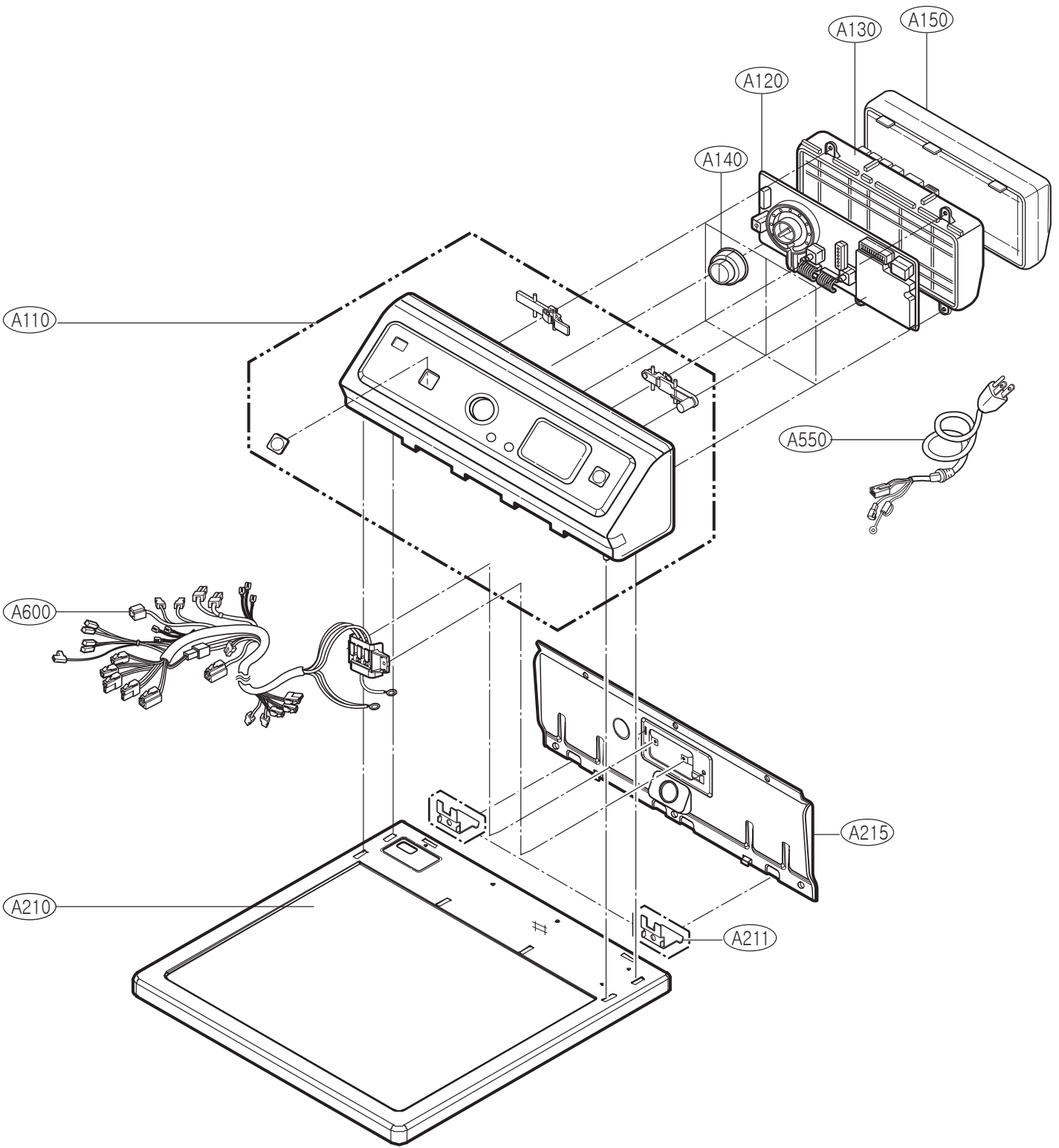
1. Open the top plate.
2. Remove the Cover Cabinet.
3. Remove filter and 2 screws.
4. Pull the air duct towards the front.

ROLLERS

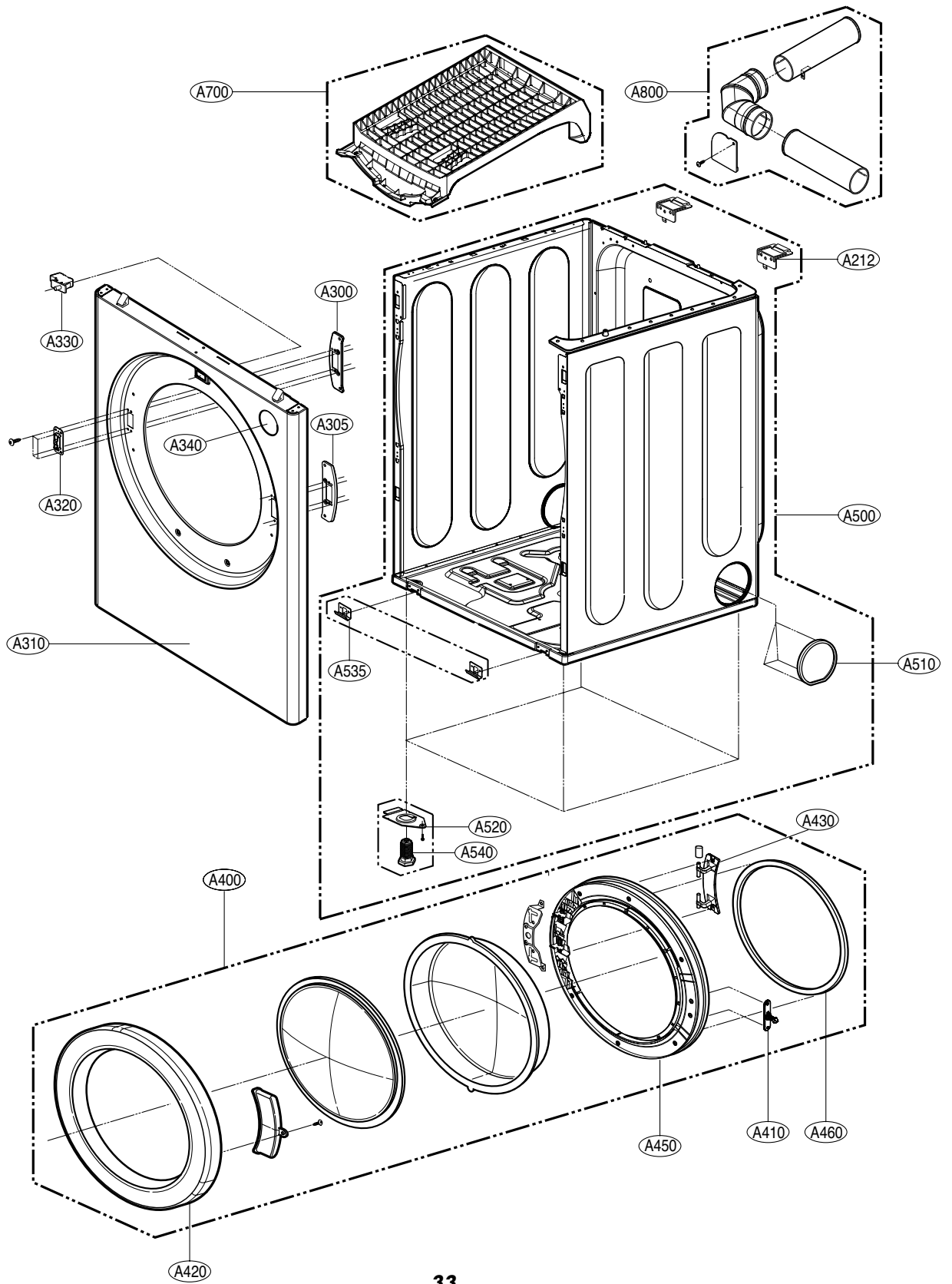


1. Open the top plate.
2. Remove the Cover Cabinet and Tub Drum [Front].
3. Remove the Drum assembly and Tub Drum [Rear].
4. Disconnect Air duct from the Tub Drum [Front].
5. Remove the roller from the Tub Drum [Front] and Tub Drum [Rear].

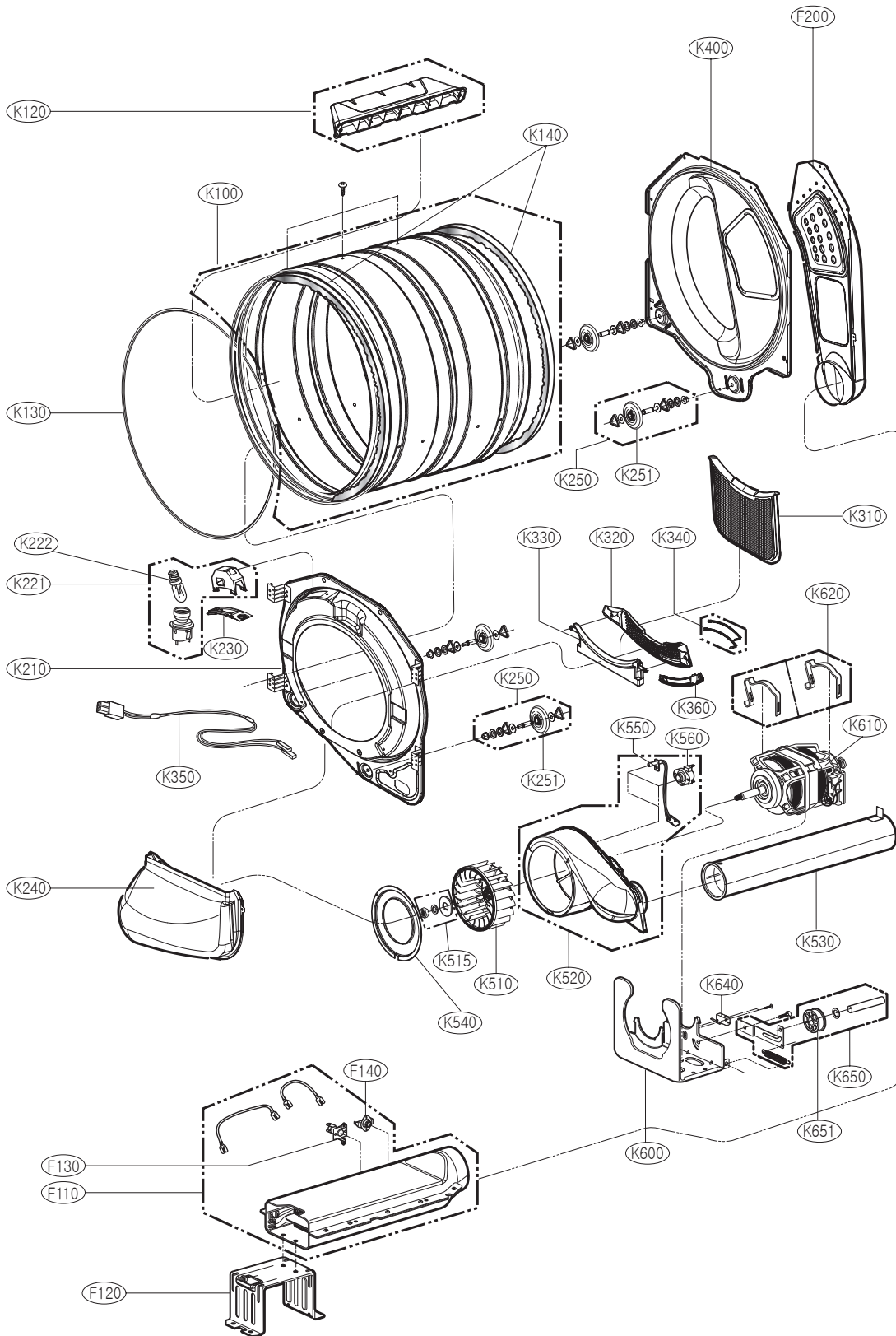
12-1. Control Panel & Plate Assembly



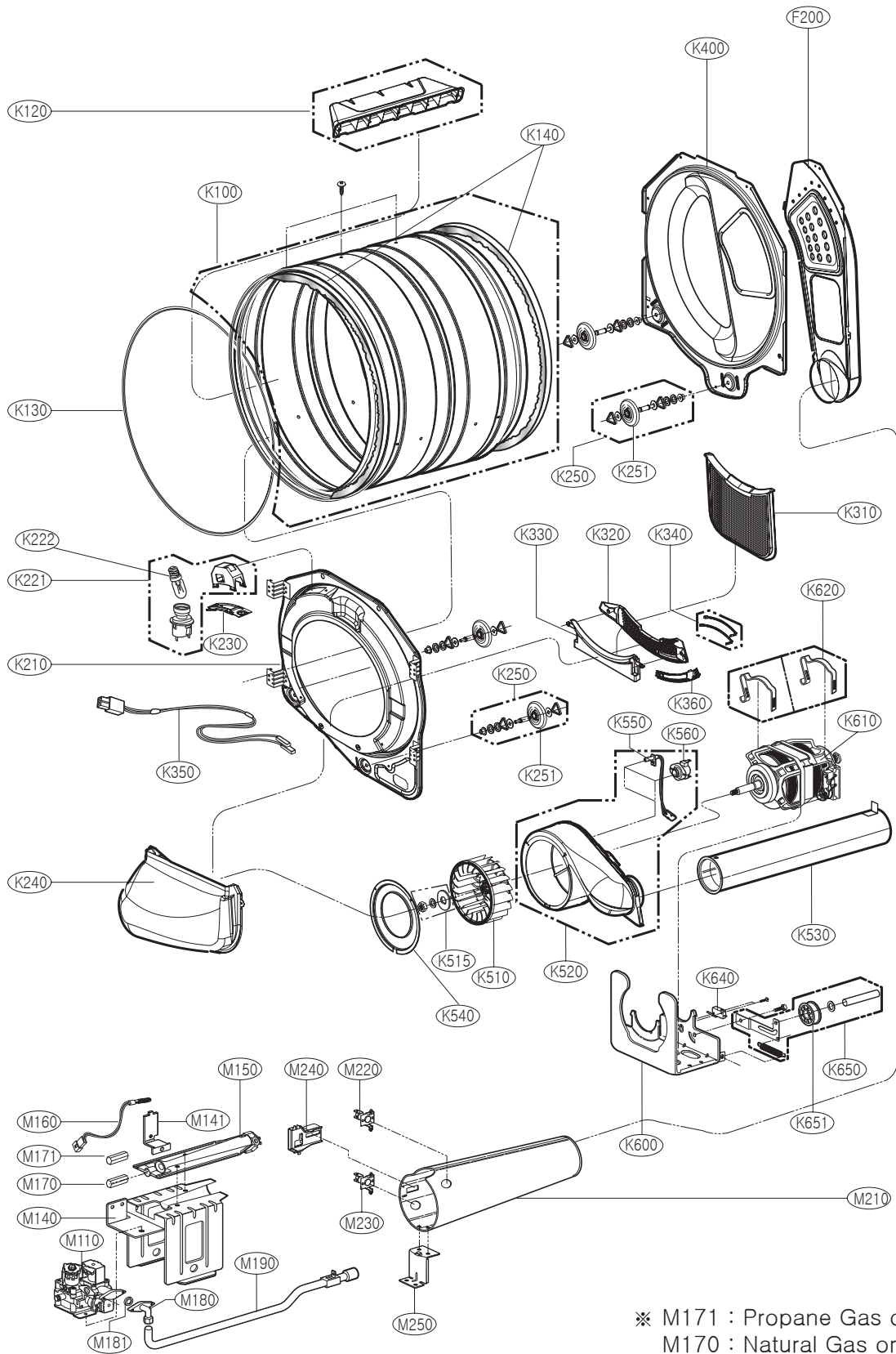
12-2. Cabinet & Door Assembly



12-3-1. Drum & Motor Assembly : Electric Type



12-3-2. Drum & Motor Assembly : Gas type



CAUTION : Before replacing any part of these components,
read carefully the safety precautions in this manual.

■ Note : S(Safety Parts), AL(Alternative parts)

LG MODEL : TD-V10030E, TD-V10031E, TD-V10035E, TD-V10032E

S	AL	LOC	DESCRIPTION	MODEL P/N				QTY
				DLE5932W	DLE5932S	DLE2532W	DLE0332W	
		A110	PANEL ASSEMBLY, CONTROL	3721ER1056K	3721ER1056M	3721ER1056L	3721ER1056V	1
		A120	PWB(PCB) ASSEMBLY,DISPLAY	6871EC2025F	6871EC2025F	6871EC2025H	6871EC2025F	1
		A130	PWB(PCB) ASSEMBLY,MAIN	6871EC1061B	6871EC1061B	6871EC1061B	6871EC1061B	1
		A210	TOP PLATE	3456ER0001B	3456ER0001F	3456ER0001G	3456ER0001B	1
		A310	COVER,CABINET	3550EL0003A	3550EL0003B	3550EL0003A	3550EL0003A	1
		A320	LATCH ASSEMBLY	4027EL1001A	4027EL1001A	4027EL1001A	4027EL1001A	1
		A330	SWITCH ASSEMBLY,DOOR	6601EL3001A	6601EL3001A	6601EL3001A	6601EL3001A	1
		A390	MARK,ASSEMBLY	3847ER3001B	3847ER3001B	3847ER3001B	3847ER3001B	1
		A400	DOOR ASSEMBLY	3581EL0001B	3581EL0001C	3581EL0001D	3581EL0001C	1
		A410	LATCH,HOOK	4026EL3005A	4026EL3005A	4026EL3005A	4026EL3005A	1
		A460	GASKET	4986EL2002A	4986EL2002A	4986EL2002A	4986EL2002A	1
		A600	HARNESS,PWB	6877EL1001A	6877EL1001A	6877EL1001A	6877EL1001A	1
		A700	RACK	3750EL1001A	3750EL1001A	3750EL1001A	3750EL1001A	1
		A800	SIDE VENTING KIT	383EEL9001B	383EEL9001B	383EEL9001B	383EEL9001B	
		F110	HEATER ASSEMBLY	5301EL1001A	5301EL1001A	5301EL1001A	5301EL1001A	1
		F130	THERMOSTAT ASSEMBLY	6931EL3003D	6931EL3003D	6931EL3003D	6931EL3003D	1
		F140	THERMOSTAT ASSEMBLY	6931EL3001E	6931EL3001E	6931EL3001E	6931EL3001E	1
		F200	DUCT ASSEMBLY	5209EL1001C	5209EL1001C	5209EL1001C	5209EL1001C	1
		K100	TUB ASSEMBLY,DRUM	3045EL1002B	3045EL1002B	3045EL1002B	3045EL1002B	1
		K120	LIFTER	4432EL1002A	4432EL1002A	4432EL1002A	4432EL1002A	3
		K130	BELT,POLY-V	4400EL2001A	4400EL2001A	4400EL2001A	4400EL2001A	1
		K140	SEAL	4036EL3001A	4036EL3001A	4036EL3001A	4036EL3001A	1
		K210	TUB,DRUM[FRONT]	3044EL1001A	3044EL1001A	3044EL1001A	3044EL1001A	1
		K221	LAMP ASSEMBLY	6913EL3002A	6913EL3002A	6913EL3002A	6913EL3002A	1
		K240	DUCT ASSEMBLY	5209EL1002A	5209EL1002A	5209EL1002A	5209EL1002A	1
		K250	ROLLER ASSEMBLY	4581EL3001A	4581EL3001A	4581EL3001A	4581EL3001A	2
		K310	FILTER ASSEMBLY,LINT	5231EL1003A	5231EL1003A	5231EL1003A	5231EL1003A	1
		K320	COVER,GUIDE	3550EL1002A	3550EL1002A	3550EL1002A	3550EL1002A	1
		K330	GUIDE,FILTER	4974EL1003A	4974EL1003A	4974EL1003A	4974EL1003A	1
		K340	SENSOR	6500EL3001A	6500EL3001A	6500EL3001A	6500EL3001A	2
		K400	TUB,DRUM[BACK]	3044EL0002A	3044EL0002A	3044EL0002A	3044EL0002A	1
		A500	CABINET ASSEMBLY	3091EL0002A	3091EL0002C	3091EL0002A	3091EL0002A	1
		K510	BLOWER ASSEMBLY	5835EL1001A	5835EL1001A	5835EL1001A	5835EL1001A	1
		K520	HOUSING ASSEMBLY,BLOWER	3661EL1001B	3661EL1001B	3661EL1001B	3661EL1001B	1
		K550	THERMISTOR ASSEMBLY	6323EL2001B	6323EL2001B	6323EL2001B	6323EL2001B	1
		K560	THERMOSTAT ASSEMBLY	6931EL3002A	6931EL3002A	6931EL3002A	6931EL3002A	1
		K610	MOTOR ASSEMBLY,WM	4681EL1002A	4681EL1002A	4681EL1002A	4681EL1002A	1
		K640	SWITCH,MICRO	3W40025D	3W40025D	3W40025D	3W40025D	1
		K650	PULLEY ASSEMBLY,MOTOR	4561EL3002A	4561EL3002A	4561EL3002A	4561EL3002A	1

CAUTION : Before replacing any part of these components,
read carefully the safety precautions in this manual.

■ Note : S(Safety Parts), AL(Alternative parts)

LG MODEL : TD-V10030G, TD-V10035G, TD-V10031G, TD-V10032G

S	AL	LOC	DESCRIPTION	MODEL P/N				QTY
				DLG5932W	DLG5932S	DLG2532W	DLG0332W	
		A110	PANEL ASSEMBLY, CONTROL	3721ER1056N	3721ER1056Q	3721ER1056P	3721ER1056W	1
		A120	PWB(PCB) ASSEMBLY,DISPLAY	6871EC2025G	6871EC2025G	6871EC2025J	6871EC2025G	1
		A130	PWB(PCB) ASSEMBLY,MAIN	6871EC1061C	6871EC1061C	6871EC1061C	6871EC1061C	1
		A210	TOP PLATE	3456ER0001B	3456ER0001F	3456ER0001G	3456ER0001B	1
		A310	COVER,CABINET	3550EL0003A	3550EL0003B	3550EL0003A	3550EL0003A	1
		A320	LATCH ASSEMBLY	4027EL1001A	4027EL1001A	4027EL1001A	4027EL1001A	1
		A330	SWITCH ASSEMBLY,DOOR	6601EL3001A	6601EL3001A	6601EL3001A	6601EL3001A	1
		A390	MARK ASSEMBLY	3847ER3001B	3847ER3001B	3847ER3001B	3847ER3001B	1
		A400	DOOR ASSEMBLY	3581EL0001B	3581EL0001C	3581EL0001D	3581EL0001C	1
		A410	LATCH,HOOK	4026EL3005A	4026EL3005A	4026EL3005A	4026EL3005A	1
		A460	GASKET	4986EL2002A	4986EL2002A	4986EL2002A	4986EL2002A	1
		A500	CABINET ASSEMBLY	3091EL0002B	3091EL0002D	3091EL0002B	3091EL0002B	1
		A600	HARNESS,PWB	6877EL1004A	6877EL1004A	6877EL1004A	6877EL1004A	1
		A700	RACK	3750EL1001A	3750EL1001A	3750EL1001A	3750EL1001A	1
		A800	SIDE VENTING KIT	383EEL9001B	383EEL9001B	383EEL9001B	383EEL9001B	
		F200	TUB,DRUM[BACK]	3044EL0002A	3044EL0002A	3044EL0002A	3044EL0002A	1
		K100	TUB ASSEMBLY,DRUM	3045EL1002B	3045EL1002B	3045EL1002B	3045EL1002B	1
		K120	LIFTER	4432EL1002A	4432EL1002A	4432EL1002A	4432EL1002A	3
		K130	BELT,POLY-V	4400EL2001A	4400EL2001A	4400EL2001A	4400EL2001A	1
		K140	SEAL	4036EL3001A	4036EL3001A	4036EL3001A	4036EL3001A	1
		K210	TUB,DRUM[FRONT]	3044EL1001B	3044EL1001B	3044EL1001B	3044EL1001B	1
		K221	LAMP ASSEMBLY	6913EL3002A	6913EL3002A	6913EL3002A	6913EL3002A	1
		K240	DUCT ASSEMBLY	5209EL1002A	5209EL1002A	5209EL1002A	5209EL1002A	1
		K250	ROLLER ASSEMBLY	4581EL3001A	4581EL3001A	4581EL3001A	4581EL3001A	2
		K310	FILTER ASSEMBLY,LINT	5231EL1003A	5231EL1003A	5231EL1003A	5231EL1003A	1
		K320	COVER,GUIDE	3550EL1002A	3550EL1002A	3550EL1002A	3550EL1002A	1
		K330	GUIDE,FILTER	4974EL1003A	4974EL1003A	4974EL1003A	4974EL1003A	1
		K340	SENSOR	6500EL3001A	6500EL3001A	6500EL3001A	6500EL3001A	2
		K510	BLOWER ASSEMBLY	5835EL1001A	5835EL1001A	5835EL1001A	5835EL1001A	1
		K520	HOUSING ASSEMBLY,BLOWER	3661EL1001B	3661EL1001B	3661EL1001B	3661EL1001B	1
		K550	THERMISTOR ASSEMBLY	6323EL2001B	6323EL2001B	6323EL2001B	6323EL2001B	1
		K560	THERMOSTAT ASSEMBLY	6931EL3002A	6931EL3002A	6931EL3002A	6931EL3002A	1
		K610	MOTOR ASSEMBLY,WM	4681EL1002A	4681EL1002A	4681EL1002A	4681EL1002A	1
		K640	SWITCH,MICRO	3W40025D	3W40025D	3W40025D	3W40025D	1
		K650	PULLEY ASSEMBLY,MOTOR	4561EL3002A	4561EL3002A	4561EL3002A	4561EL3002A	1
		M110	VALVE ASSEMBLY,GAS	5221EL2002A	5221EL2002A	5221EL2002A	5221EL2002A	1
		M140	GUIDE,BURNER	4974EL1001A	4974EL1001A	4974EL1001A	4974EL1001A	1
		M150	PIPE ASSEMBLY	5201EL3001A	5201EL3001A	5201EL3001A	5201EL3001A	1
		M160	IGNITER	5318EL9001A	5318EL9001A	5318EL9001A	5318EL9001A	1
		M170	ORIFICE(natural gas)	4948EL4001B	4948EL4001B	4948EL4001B	4948EL4001B	1
		M171	ORIFICE(propane gas)	4948EL4002B	4948EL4002B	4948EL4002B	4948EL4002B	1
		M180	CONNECTOR (MECH),PIPE	4932EL4001A	4932EL4001A	4932EL4001A	4932EL4001A	1
		M181	SEAL	4036EL3002A	4036EL3002A	4036EL3002A	4036EL3002A	1
		M190	PIPE ASSEMBLY	5201EL2001A	5201EL2001A	5201EL2001A	5201EL2001A	1
		M210	FUNNEL	3016EL1001A	3016EL1001A	3016EL1001A	3016EL1001A	1
		M220	THERMOSTAT ASSEMBLY	6931EL3003F	6931EL3003F	6931EL3003F	6931EL3003F	1
		M230	THERMOSTAT ASSEMBLY	6931EL3003C	6931EL3003C	6931EL3003C	6931EL3003C	1
		M240	SENSOR ASSEMBLY	6501EL9001A	6501EL9001A	6501EL9001A	6501EL9001A	1
		M300	DUCT ASSEMBLY	5209EL1001D	5209EL1001D	5209EL1001D	5209EL1001D	1