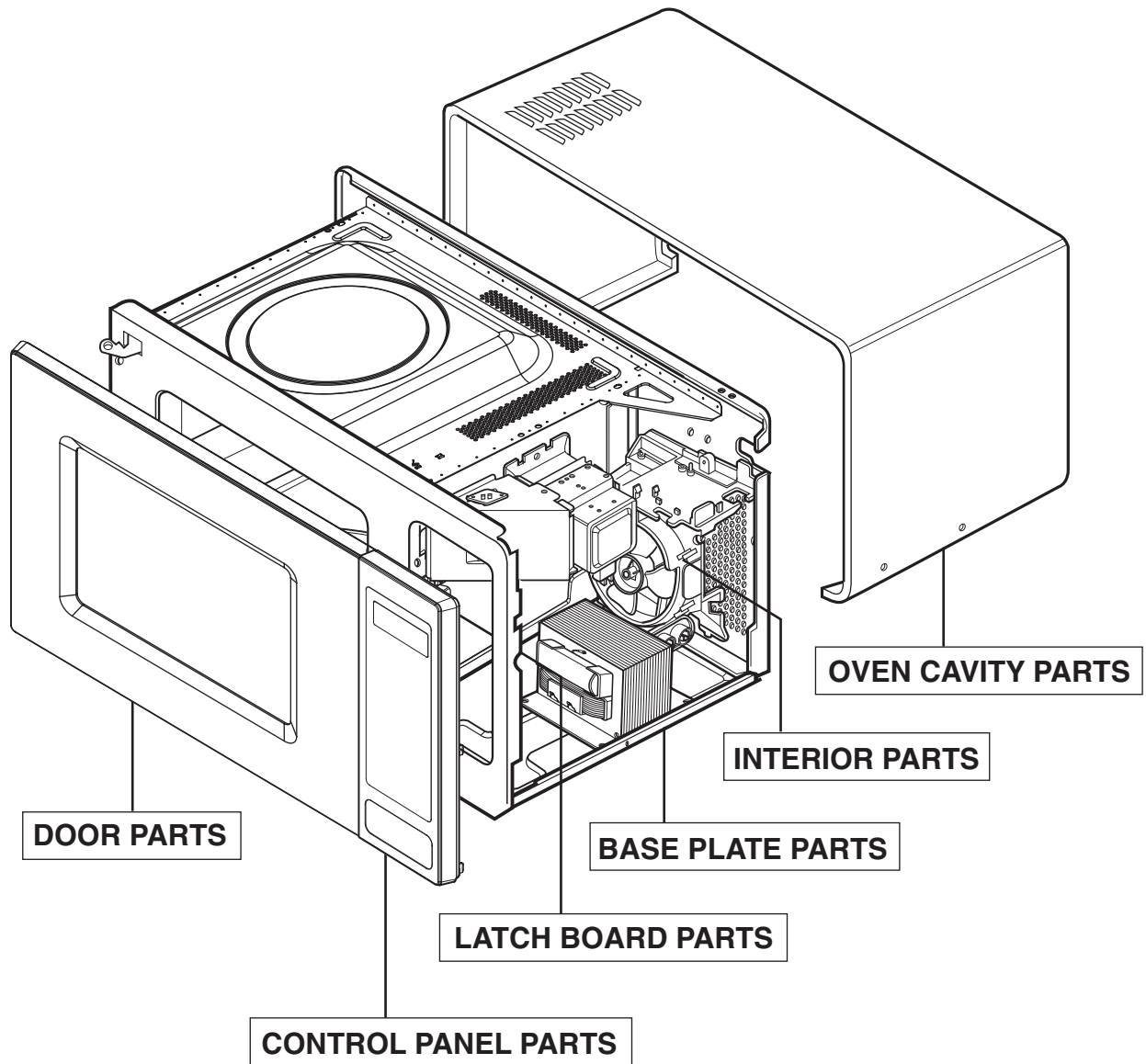


EXPLODED VIEW

INTRODUCTION

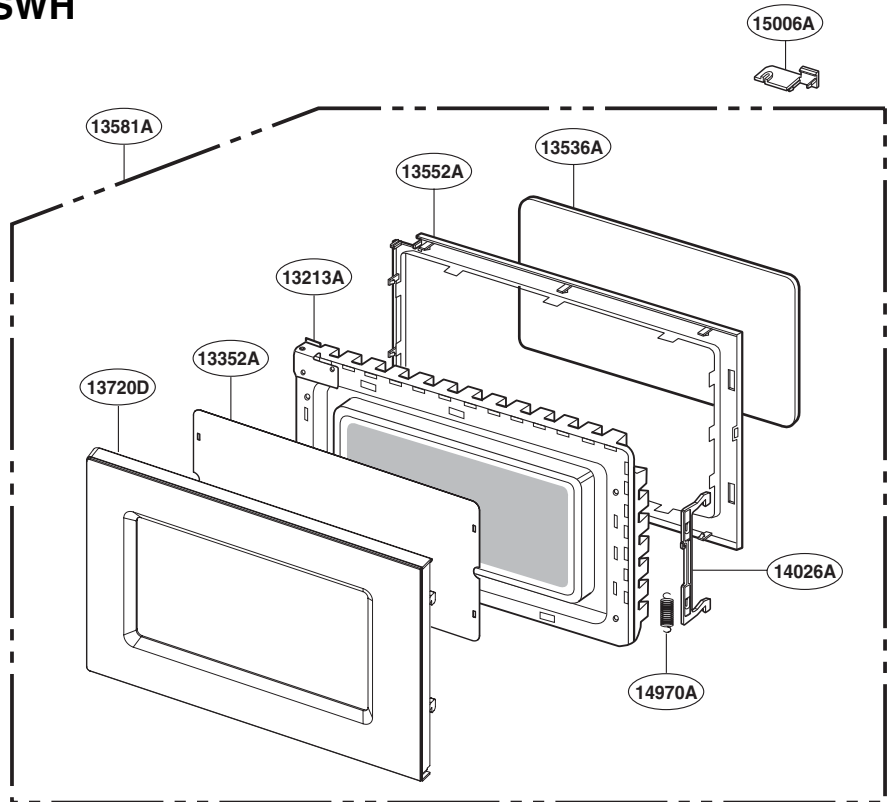
MODEL : KCMS1555SBL
KCMS1555SSS
KCMS1555SWH



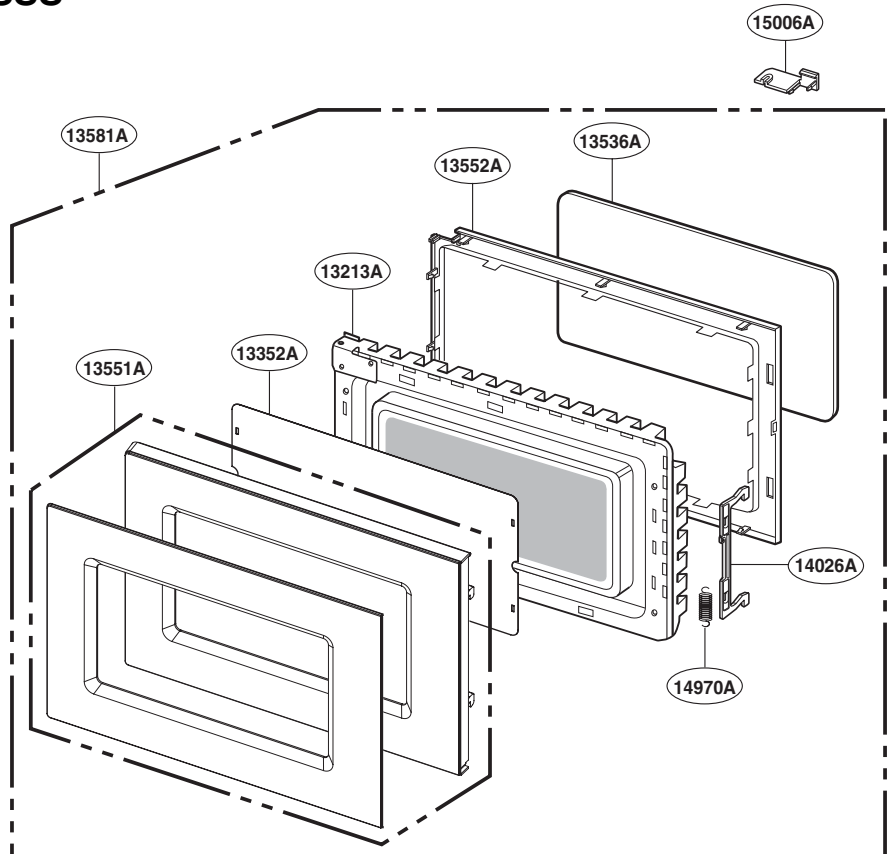
P/NO : MFL41636801

DOOR PARTS

FOR MODEL : KCMS1555SBL
KCMS1555SWH

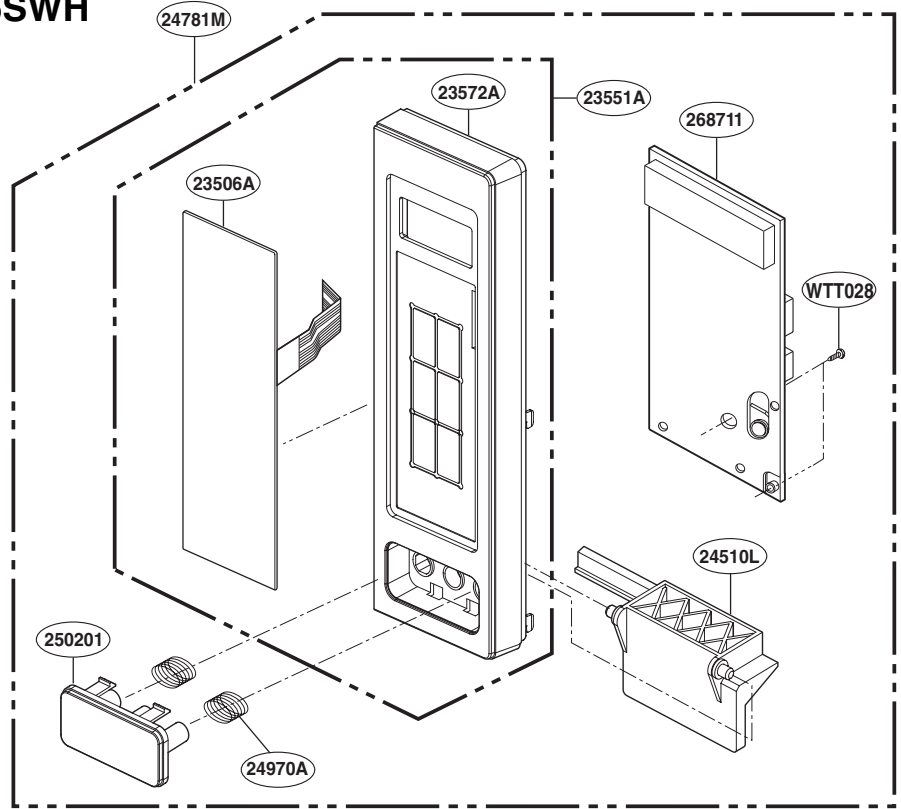


FOR MODEL : KCMS1555SSS

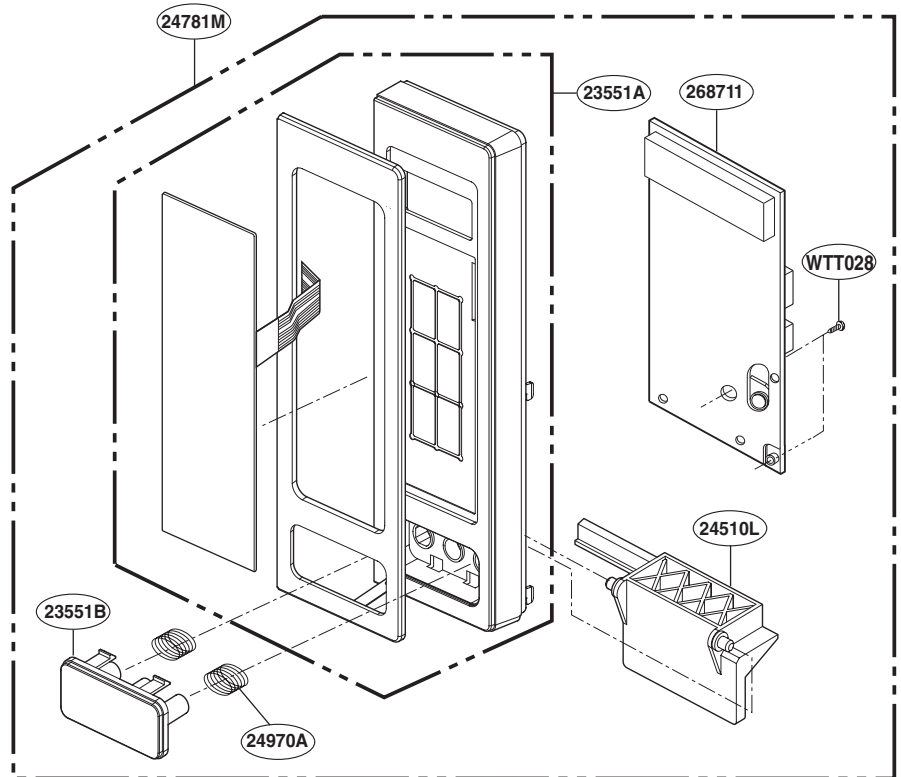


CONTROL PANEL PARTS

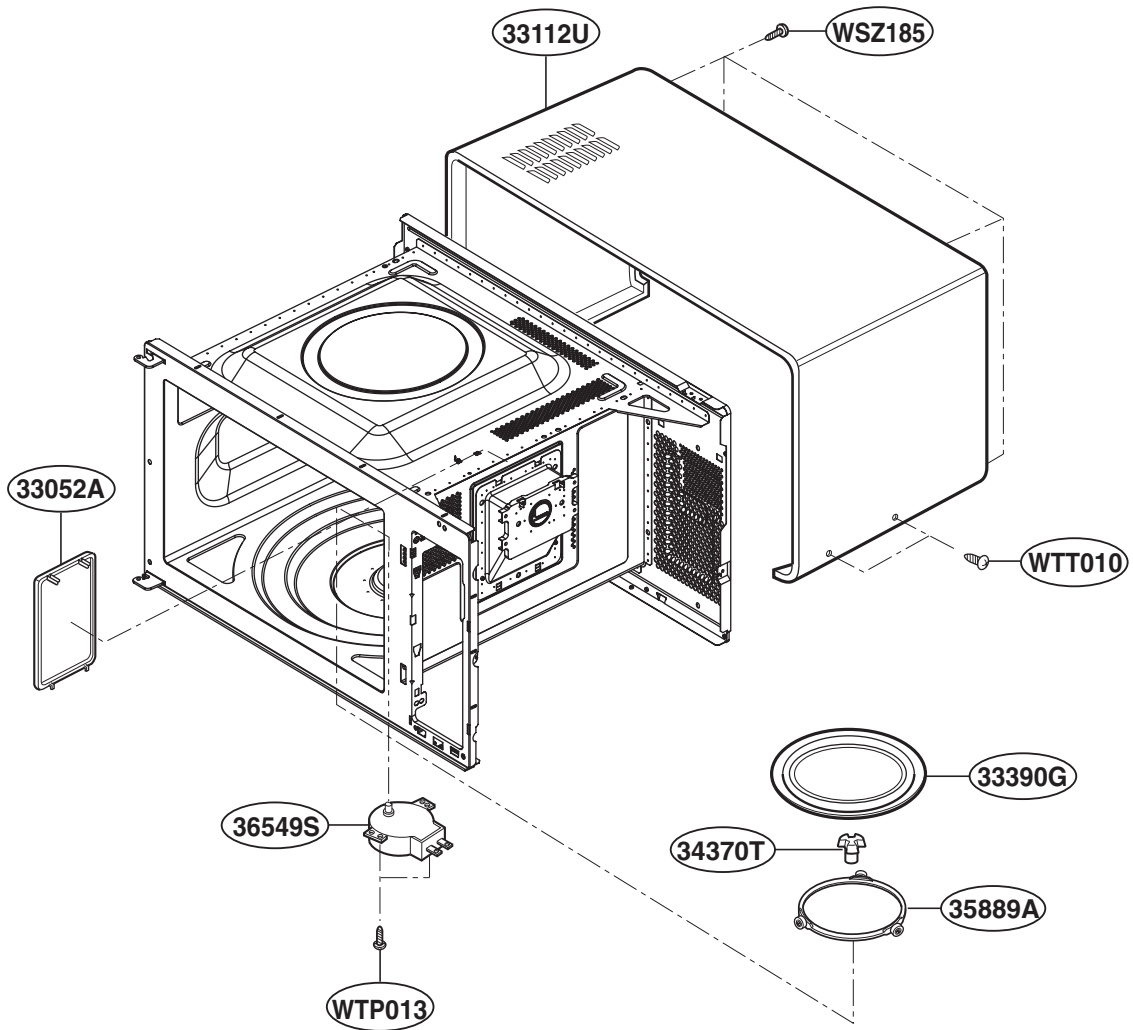
FOR MODEL : KCMS1555SBL
KCMS1555SWH



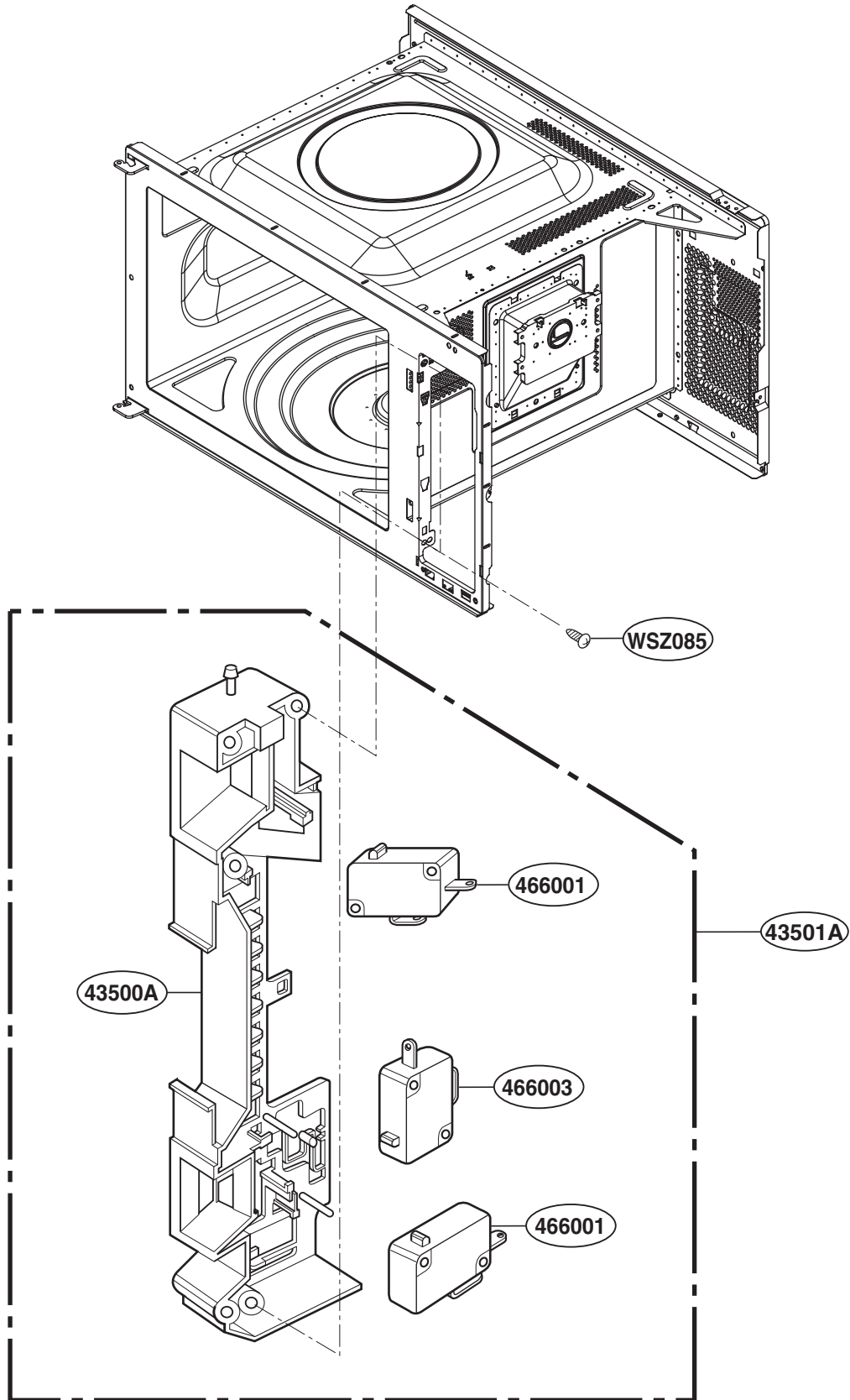
FOR MODEL : KCMS1555SSS



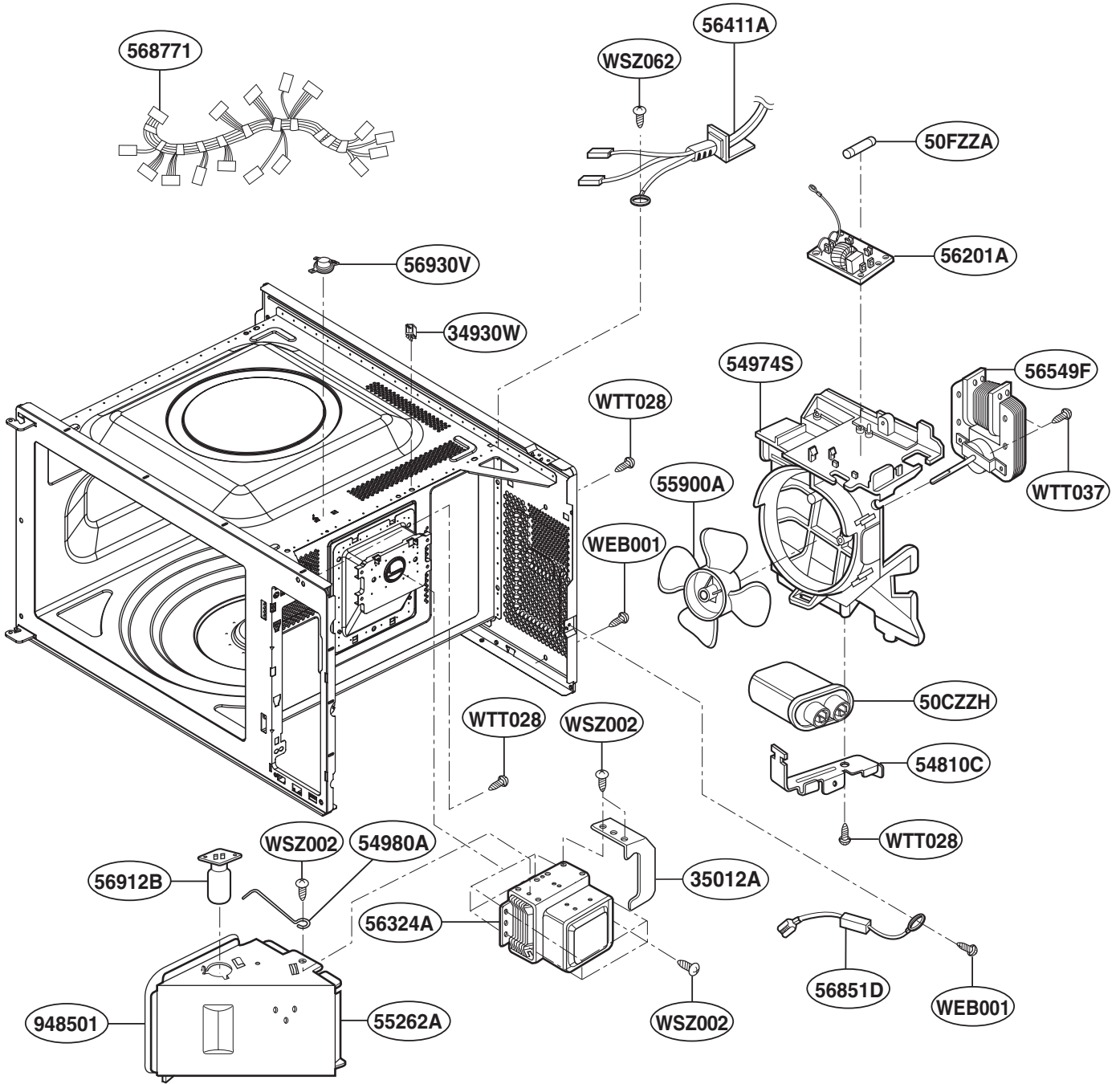
OVEN CAVITY PARTS



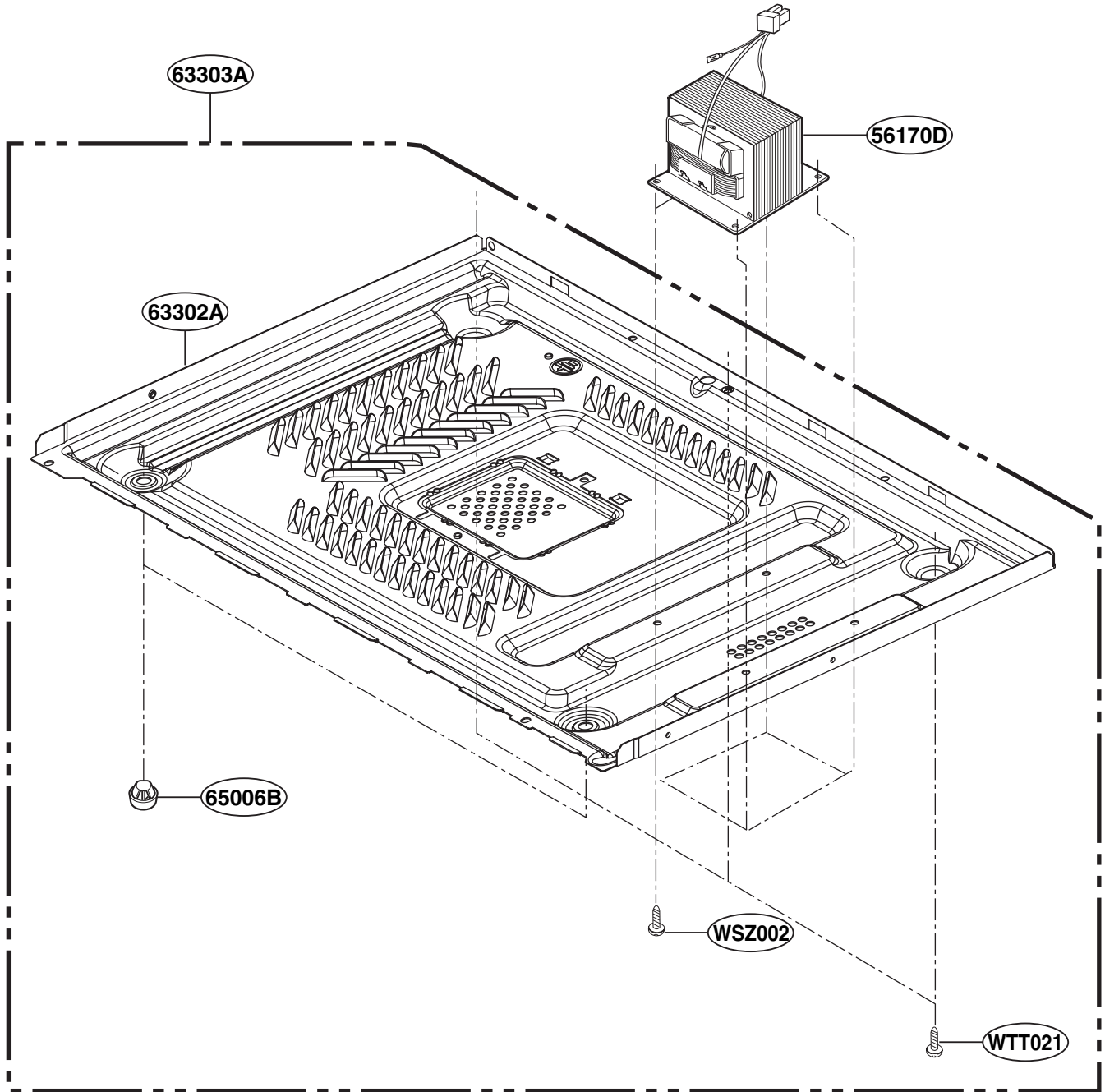
LATCH BOARD PARTS



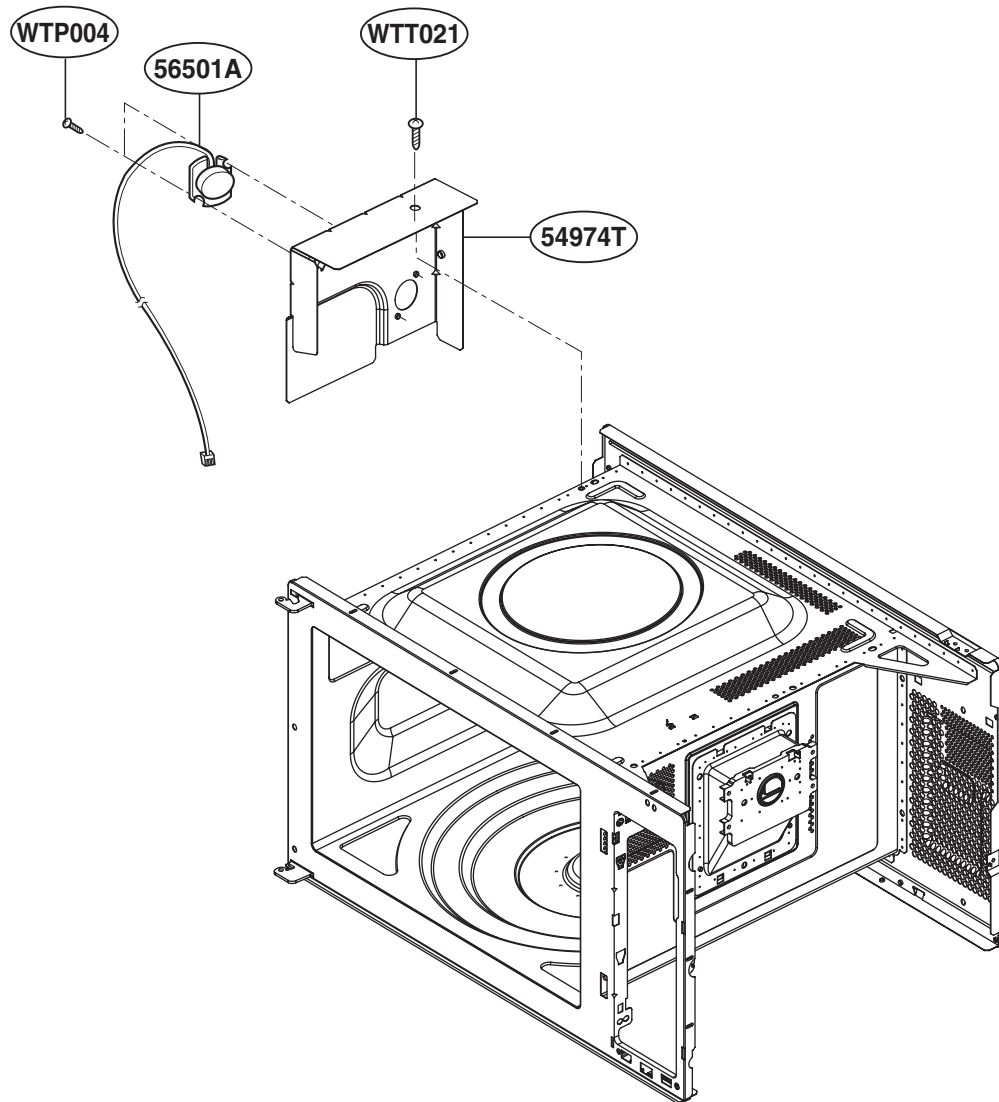
INTERIOR PARTS



BASE PLATE PARTS



SENSOR PARTS



Replacement Parts list

FOR MODEL : KCMS1555SBL

Rev.1 Sep 13, 2007

LOC. NO.	PART NO.	DESCRIPTION	SVC	ALTERNATE	REMARK
*01	MFL37573601	Manual,Owners	R		
*05	MEZ34344601	Label,Cooking Guide	R		
*07	3840W1T001X	Card,Technical	R		
*10	3890W3Y767B	Box	R		
13213A	3213W1A031P	Frame Assembly,Door	R		
13352A	3352W1A142A	Window,Screen	R		
13536A	3536W1A004A	Tape,Sealing	R		
13552A	3552W0A012A	Cover,Choke	R		
13581A	ADC35638603	Door Assembly	R		
13720D	MGC39841301	Panel,Door	R		
14026A	4026W2A016A	Locker	R		
14970A	4970WRA001B	Spring	R		
15006A	5006W3A012A	Cap,Choke Cover	R		
23506A	MFM41152301	Membrane	R		
23551A	AGM36115301	Parts Assembly(Panel,Control+Membrane)	R		
23572A	MGC39841501	Panel,Control	R		
24510L	4510W3L003B	Lever	R		
24781M	ACM35638503	Controller Assembly,Keypad	R		
24970A	4B72023B	Spring	R		
250201	MBG39841601	Button	R		
268711	6871W1S197P	PCB Assembly,Sub	R		
33052A	3052W2A021A	Cover,Resin	R		
33112U	3112W1U037Q	Case,U Bending	R		
33390G	3390W1A027A	Tray,Glass	R		
34370T	4370W1A006B	Shaft,Turtable	R		
34930W	4930W3B029A	Holder,Wire	R		
35012A	5012W3A020C	Insulator	R		
35889A	5889W2A015K	Turtable Assembly	R		
36549S	6549W1S011W	Motor, AC Synchronous	R	6549W1S017J	
43500A	3500W1A018A	Holder,Locker	R		
43501A	3501W1A053A	Holder Assembly,Locker	R		
466001	6600W1K001D	Switch,Micro	R		
466003	6600W1K001C	Switch,Micro	R		
50CZZH	0CZZW1H004C	Capacitor,High Voltage	R	0CZZW1H004P	
50CZZH	0CZZW1H004C	Capacitor,High Voltage	R	0CZZW1H005A	
50FZZA	3B74133Q	Fuse,Time Delay	R	3B74133K	
54810C	4810W4C003B	Bracket,Capacitor	R		
54974S	4974W0A003C	Guide,Suction	R		
54974T	5208W1A012B	Duct	R		
54980A	4980W3A038A	Supporter	R		
55262A	5208W1A017A	Duct	R		
55900A	5900W1A007B	Fan	R		
56170D	6170W1D077J	Transformer,high voltage	R	6170W1D112D	
56201A	6201W1A014A	Filter Assembly,Noise	R	6201W1A014B	
56201A	6201W1A014A	Filter Assembly,Noise	R	6201W1A014E	
56201A	6201W1A014A	Filter Assembly,Noise	R	2B72130M	
56324A	6324W1A001L	Magnetron	R	6324W1A001B	
56411A	6411W1A019V	Power Cord Assembly	R	6411W1A019W	
56411A	6411W1A019V	Power Cord Assembly	R	6411W1A019X	
56501A	6501W1A006A	Sensor Assembly	R		

LOC. NO.	PART NO.	DESCRIPTION	SVC	ALTERNATE	REMARK
56549F	6549W1F009C	Motor,AC Fan	R		
56851D	6851W1A002A	Cable,Assembly	R	6021W3B001R	
56851D	6851W1A002A	Cable,Assembly	R	6021W3B001N	
568771	6877W1A506E	Harness,Single	R		
56912B	6912W3B002L	Lamp,Incandescent	R		
56930V	6930W1A001L	Thermostat	R	6930W1A001C	
56930V	6930W1A001L	Thermostat	R	6930W1A004N	
63302A	3302W0A036B	Plate,Base	R		
63303A	3303W0A019B	Plate Assembly,Base	R		
65006B	5006W3A019A	Cap,Base Plate	R		
948501	3B72244T	Damper	R		
WEB001	1EBF0402494	Screw,Taptite	R		
WSZ002	1SBF0402418	Screw,Taptite	R		
WSZ062	4000W4A003A	Screw,Customized	R		
WSZ085	4B70188C	Screw,Customized	R		
WSZ185	1SZZW2A002A	Screw,Customized	R		
WTP004	1TPL0302418	Screw,Tapping	R		
WTP013	1TPL0402418	Screw,Tapping	R		
WTT010	1TTG0402422	Screw,Tapping	R		
WTT021	1TTL0402418	Screw,Tapping	R		
WTT028	1TTL0402818	Screw,Tapping	R		
WTT037	1TTL0403818	Screw,Tapping	R		

Replacement Parts list

FOR MODEL : KCMS1555SSS

Rev.1 Sep 13, 2007

LOC. NO.	PART NO.	DESCRIPTION	SVC	ALTERNATE	REMARK
*01	MFL37573601	Manual,Owners	R		
*05	MEZ34344601	Label,Cooking Guide	R		
*07	3840W1T001X	Card,Technical	R		
*10	3890W3Y767B	Box	R		
13213A	3213W1A031P	Frame Assembly,Door	R		
13352A	3352W1A142A	Window,Screen	R		
13536A	3536W1A004A	Tape,Sealing	R		
13551A	AGM35659402	Parts Assembly(Panel,Door+Cover)	R		
13552A	3552W0A012A	Cover,Choke	R		
13581A	ADC35638604	Door Assembly	R		
14026A	4026W2A016A	Locker	R		
14970A	4970WRA001B	Spring	R		
15006A	5006W3A012A	Cap,Choke Cover	R		
23551A	AGM35659502	Parts Assembly(Panel,Control+Cover+Membrane)	R		
23551B	AGM35659602	Parts Assembly(Button+Cover)	R		
24510L	4510W3L003B	Lever	R		
24781M	ACM35638504	Controller Assembly,Keypad	R		
24970A	4B72023B	Spring	R		
268711	6871W1S197P	PCB Assembly,Sub	R		
33052A	3052W2A021A	Cover,Resin	R		
33112U	3112W1U037P	Case,U Bending	R		
33390G	3390W1A027A	Tray,Glass	R		
34370T	4370W1A006B	Shaft,Turtable	R		
34930W	4930W3B029A	Holder,Wire	R		
35012A	5012W3A020C	Insulator	R		
35889A	5889W2A015K	Turtable Assembly	R		
36549S	6549W1S011W	Motor, AC Synchronous	R	6549W1S017J	
43500A	3500W1A018A	Holder,Locker	R		
43501A	3501W1A053A	Holder Assembly,Locker	R		
466001	6600W1K001D	Switch,Micro	R		
466003	6600W1K001C	Switch,Micro	R		
50CZZH	0CZZW1H004C	Capacitor,High Voltage	R	0CZZW1H004P	
50CZZH	0CZZW1H004C	Capacitor,High Voltage	R	0CZZW1H005A	
50FZZA	3B74133Q	Fuse,Time Delay	R	3B74133K	
54810C	4810W4C003B	Bracket,Capacitor	R		
54974S	4974W0A003C	Guide,Suction	R		
54974T	5208W1A012B	Duct	R		
54980A	4980W3A038A	Supporter	R		
55262A	5208W1A017A	Duct	R		
55900A	5900W1A007B	Fan	R		
56170D	6170W1D077J	Transformer,high voltage	R	6170W1D112D	
56201A	6201W1A014A	Filter Assembly,Noise	R	6201W1A014B	
56201A	6201W1A014A	Filter Assembly,Noise	R	6201W1A014E	
56201A	6201W1A014A	Filter Assembly,Noise	R	2B72130M	
56324A	6324W1A001L	Magnetron	R	6324W1A001B	
56411A	6411W1A019V	Power Cord Assembly	R	6411W1A019W	
56411A	6411W1A019V	Power Cord Assembly	R	6411W1A019X	
56501A	6501W1A006A	Sensor Assembly	R		
56549F	6549W1F009C	Motor,AC Fan	R		
56851D	6851W1A002D	Cable,Assembly	R	6851W1A002E	

LOC. NO.	PART NO.	DESCRIPTION	SVC	ALTERNATE	REMARK
568771	6877W1A506E	Harness,Single	R		
56912B	6912W3B002L	Lamp,Incandescent	R		
56930V	6930W1A001L	Thermostat	R	6930W1A001C	
56930V	6930W1A001L	Thermostat	R	6930W1A004N	
63302A	3302W0A036B	Plate,Base	R		
63303A	3303W0A019B	Plate Assembly,Base	R		
65006B	5006W3A019A	Cap,Base Plate	R		
948501	3B72244T	Damper	R		
WEB001	1EBF0402494	Screw,Taptite	R		
WSZ002	1SBF0402418	Screw,Taptite	R		
WSZ062	4000W4A003A	Screw,Customized	R		
WSZ085	4B70188C	Screw,Customized	R		
WSZ185	1SZZW2A002A	Screw,Customized	R		
WTP004	1TPL0302418	Screw,Tapping	R		
WTP013	1TPL0402418	Screw,Tapping	R		
WTT010	1TTG0402422	Screw,Tapping	R		
WTT021	1TTL0402418	Screw,Tapping	R		
WTT028	1TTL0402818	Screw,Tapping	R		
WTT037	1TTL0403818	Screw,Tapping	R		

Replacement Parts list

FOR MODEL : KCMS1555SWH

Rev.1 Sep 13, 2007

LOC. NO.	PART NO.	DESCRIPTION	SVC	ALTERNATE	REMARK
*01	MFL37573601	Manual,Owners	R		
*05	MEZ34344601	Label,Cooking Guide	R		
*07	3840W1T001X	Card,Technical	R		
*10	3890W3Y767B	Box	R		
13213A	3213W1A031Q	Frame Assembly,Door	R		
13352A	3352W1A142A	Window,Screen	R		
13536A	3536W1A004A	Tape,Sealing	R		
13552A	3552W0A012A	Cover,Choke	R		
13581A	ADC35638602	Door Assembly	R		
13720D	MGC39841302	Panel,Door	R		
14026A	4026W2A016A	Locker	R		
14970A	4970WRA001B	Spring	R		
15006A	5006W3A012A	Cap,Choke Cover	R		
23506A	MFM41152302	Membrane	R		
23551A	AGM36115302	Parts Assembly(Panel,Control+Membrane)	R		
23572A	MGC39841502	Panel,Control	R		
24510L	4510W3L003B	Lever	R		
24781M	ACM35638502	Controller Assembly,Keypad	R		
24970A	4B72023B	Spring	R		
250201	MBG39841602	Button	R		
268711	6871W1S197P	PCB Assembly,Sub	R		
33052A	3052W2A021A	Cover,Resin	R		
33112U	3112W1U037K	Case,U Bending	R		
33390G	3390W1A027A	Tray,Glass	R		
34370T	4370W1A006B	Shaft,Turtable	R		
34930W	4930W3B029A	Holder,Wire	R		
35012A	5012W3A020C	Insulator	R		
35889A	5889W2A015K	Turtable Assembly	R		
36549S	6549W1S011W	Motor, AC Synchronous	R	6549W1S017J	
43500A	3500W1A018A	Holder,Locker	R		
43501A	3501W1A053A	Holder Assembly,Locker	R		
466001	6600W1K001D	Switch,Micro	R		
466003	6600W1K001C	Switch,Micro	R		
50CZZH	0CZZW1H004C	Capacitor,High Voltage	R	0CZZW1H004P	
50CZZH	0CZZW1H004C	Capacitor,High Voltage	R	0CZZW1H005A	
50FZZA	3B74133Q	Fuse,Time Delay	R	3B74133K	
54810C	4810W4C003B	Bracket,Capacitor	R		
54974S	4974W0A003C	Guide,Suction	R		
54974T	5208W1A012B	Duct	R		
54980A	4980W3A038A	Supporter	R		
55262A	5208W1A017A	Duct	R		
55900A	5900W1A007B	Fan	R		
56170D	6170W1D077J	Transformer,high voltage	R	6170W1D112D	
56201A	6201W1A014A	Filter Assembly,Noise	R	6201W1A014B	
56201A	6201W1A014A	Filter Assembly,Noise	R	6201W1A014E	
56201A	6201W1A014A	Filter Assembly,Noise	R	2B72130M	
56324A	6324W1A001L	Magnetron	R	6324W1A001B	
56411A	6411W1A019V	Power Cord Assembly	R	6411W1A019W	
56411A	6411W1A019V	Power Cord Assembly	R	6411W1A019X	
56501A	6501W1A006A	Sensor Assembly	R		

LOC. NO.	PART NO.	DESCRIPTION	SVC	ALTERNATE	REMARK
56549F	6549W1F009C	Motor,AC Fan	R		
56851D	6851W1A002D	Cable,Assembly	R	6851W1A002E	
568771	6877W1A506E	Harness,Single	R		
56912B	6912W3B002L	Lamp,Incandescent	R		
56930V	6930W1A001L	Thermostat	R	6930W1A001C	
56930V	6930W1A001L	Thermostat	R	6930W1A004N	
63302A	3302W0A036B	Plate,Base	R		
63303A	3303W0A019B	Plate Assembly,Base	R		
65006B	5006W3A019A	Cap,Base Plate	R		
948501	3B72244T	Damper	R		
WEB001	1EBF0402494	Screw,Taptite	R		
WSZ002	1SBF0402418	Screw,Taptite	R		
WSZ062	4000W4A003A	Screw,Customized	R		
WSZ085	4B70188C	Screw,Customized	R		
WSZ185	1SZZW2A002A	Screw,Customized	R		
WTP004	1TPL0302418	Screw,Tapping	R		
WTP013	1TPL0402418	Screw,Tapping	R		
WTT010	1TTG0402422	Screw,Tapping	R		
WTT021	1TTL0402418	Screw,Tapping	R		
WTT028	1TTL0402818	Screw,Tapping	R		
WTT037	1TTL0403818	Screw,Tapping	R		