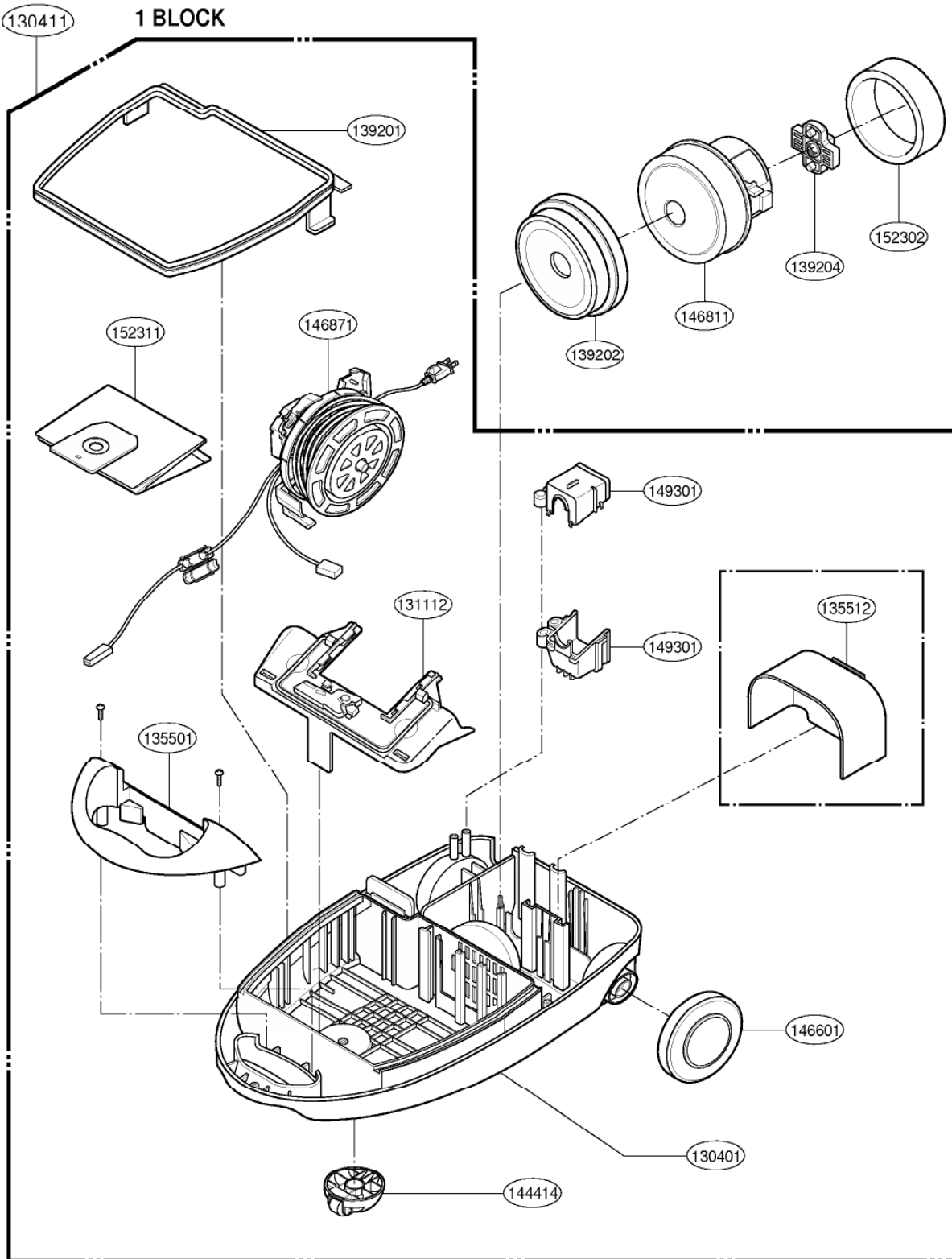
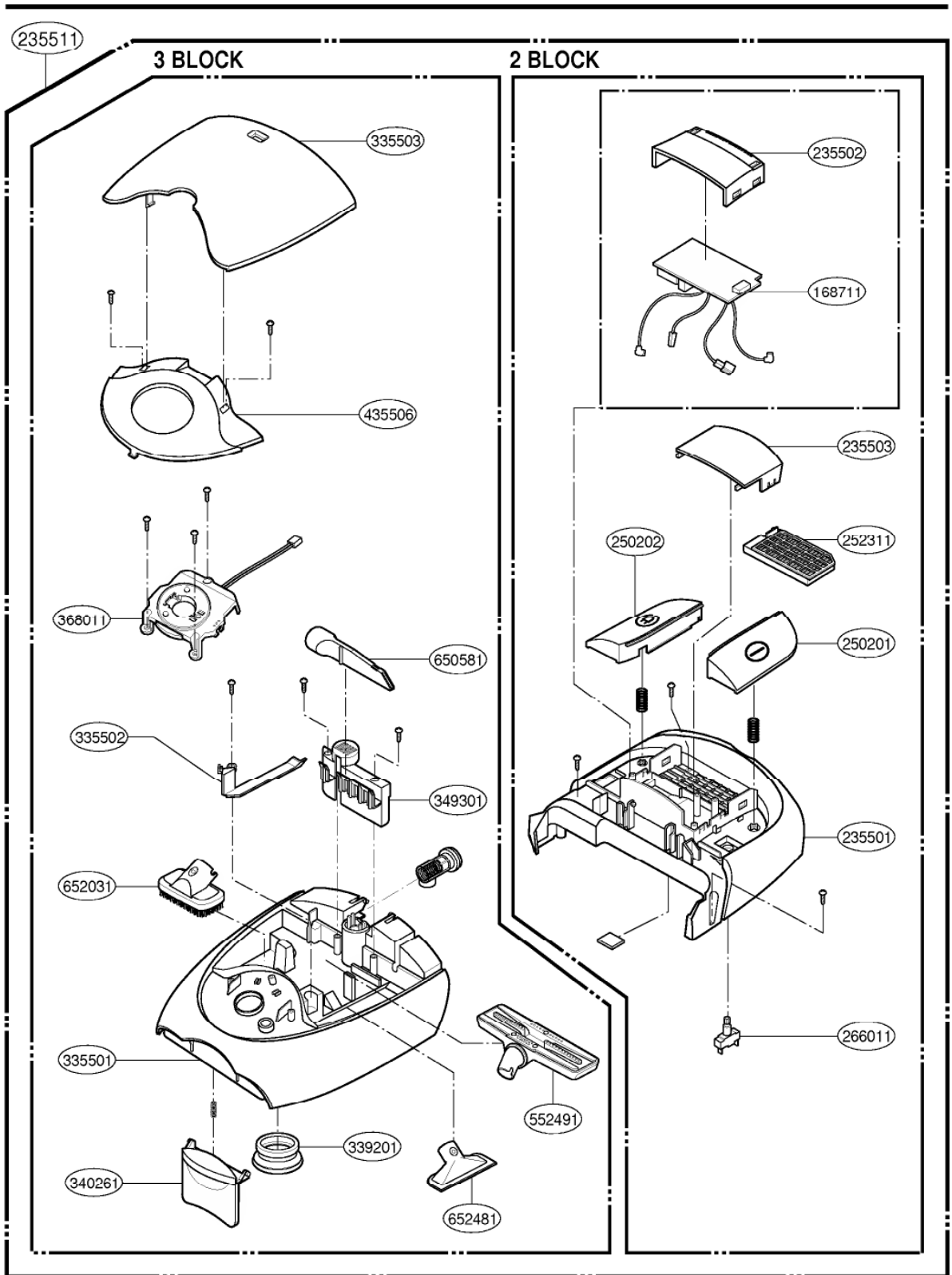
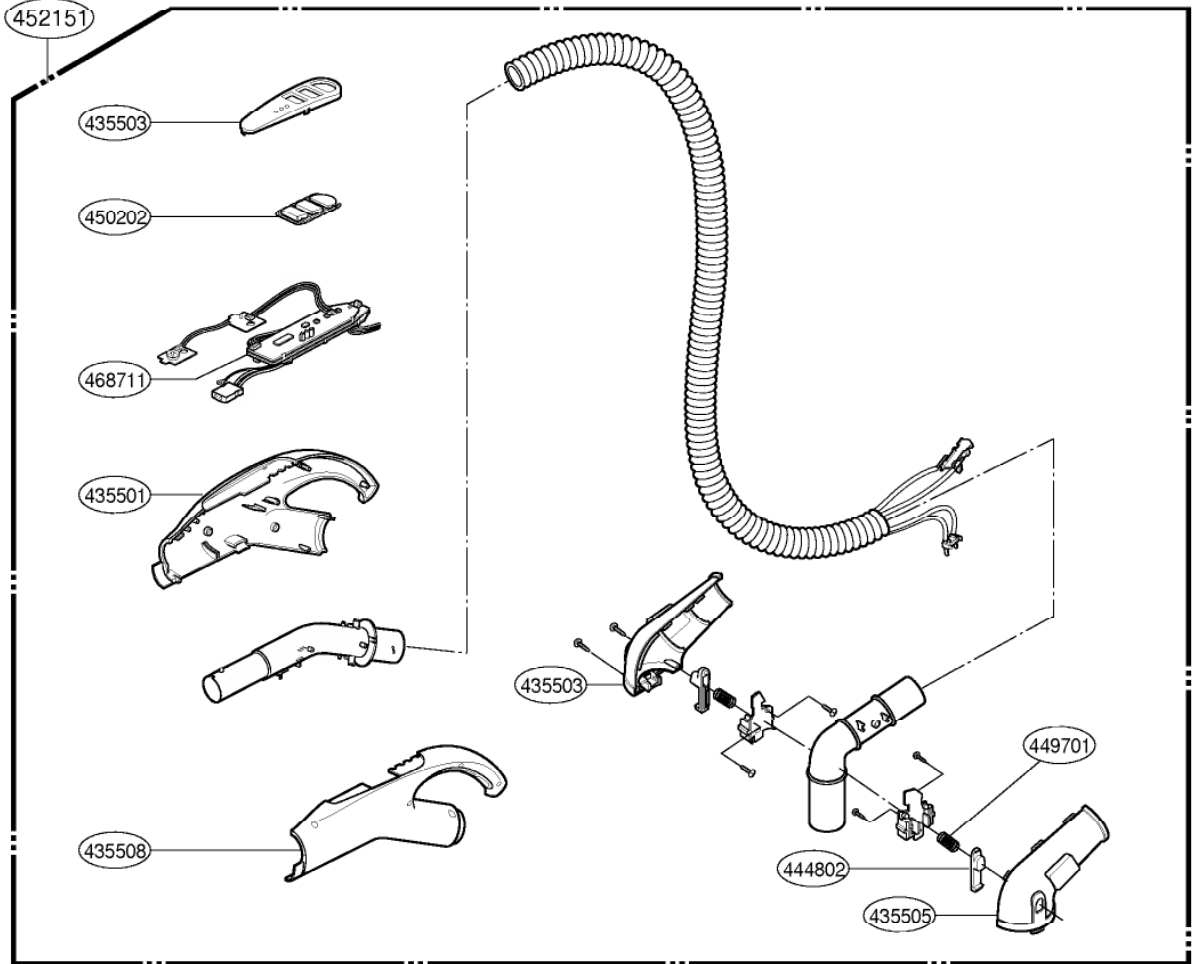


EXPLODED VIEW

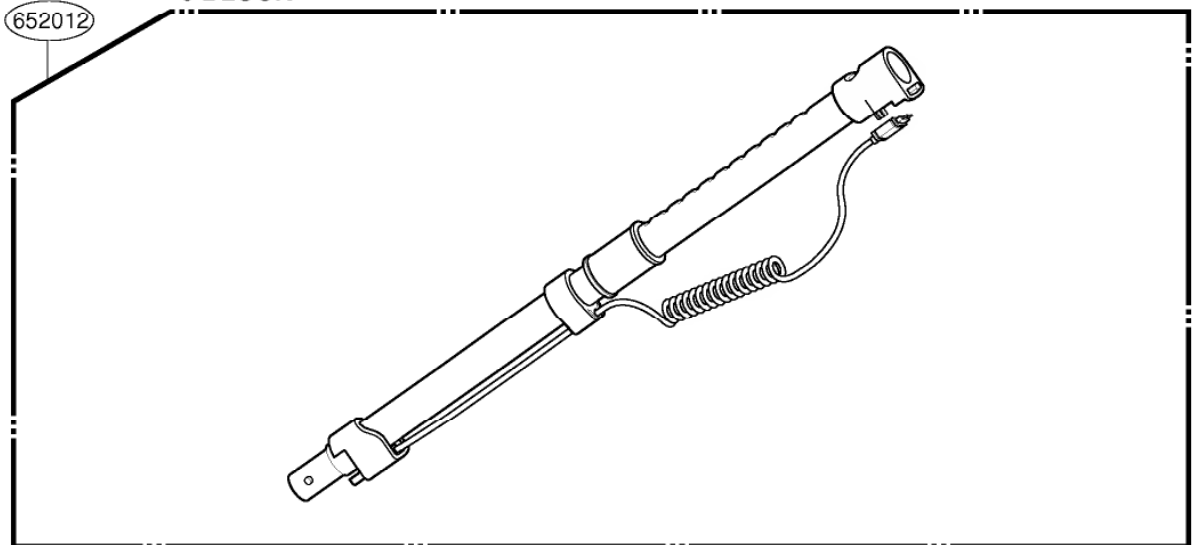




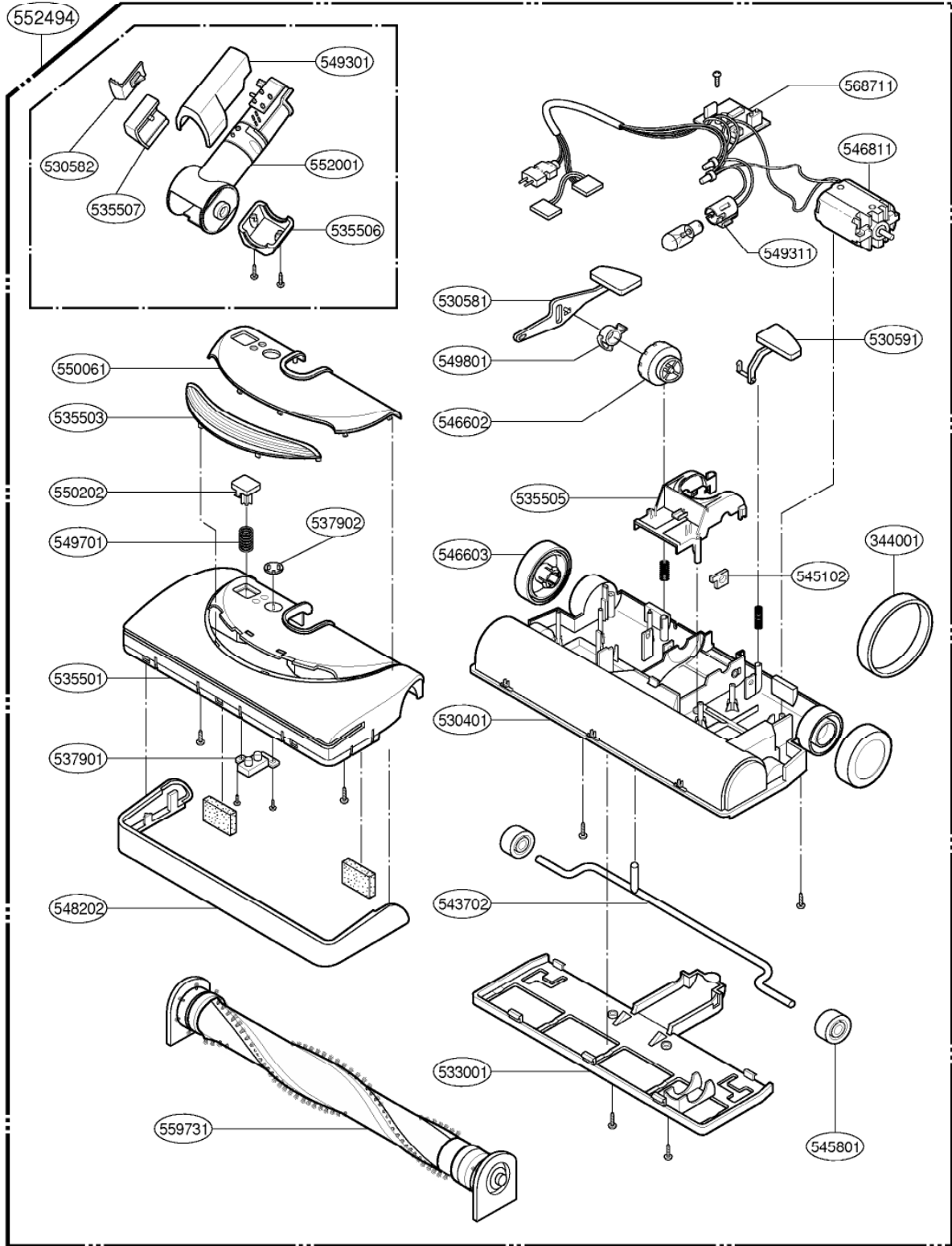
4 BLOCK



6 BLOCK



5 BLOCK



REPLACEMENT PARTS LIST

BLOCK	L/NO.	PART NAME	P/NO.		
			V-4350PCT		
1	130411	BASE ASS'Y, BODY	3041FI1458F		
	130401	BASE, BODY	3040FI1463A		
	146601	WHEEL	4660FI2403A		
	135501	COVER, HANDLE	3550FI1480A		
	144414	CASTER ASS'Y	4441FI3605A		
	131112	CASE ASS'Y, FILTER	3111FI2001A		
	152311	FILTER ASS'Y PAPER	5231FI2450A		
	139201	PACKING DUST SEAL	3920FI1278A		
	152301	FILTER(MECH), MOTOR SAFETY	5231FI4518E		
	146871	CORD REEL ASS'Y	4687FI1420G		
	149301	HOLDER(LOWER)	4930FI2441A		
	149301	HOLDER(UPPER)	4930FI2442A		
	146811	MOTOR ASS'Y, VC	4681FI2373G		
	139202	PACKING, MOTOR MOUNTING	3920FI2405A		
	139204	PACKING, SEAL	3920FI3737A		
	152302	PACKING, ABSORBING	4I23008B		
	135512	COVER ASS'Y SOUND	3551FI2418B		
2	235511	COVER ASS'Y, BODY	3551FI1488A		
	235501	COVER, BODY	3550FI1482A		
	250202	BUTTON, CORD REEL	5020FI2323A		
	250201	BUTTON, POWER SWITCH	5020FI2324A		
	266011	SWITCH ASS'Y PUSH	6601FI3149A		
	235502	COVER, CONTROL	3550FI2465A		
	168711	PWB(PCB) ASS'Y MAIN	6871FX2106A		
	235503	COVER, EXHAUST FILTER	3550FI1478X		
252311	FILTER ASS'Y, EXHAUST	5231FI3751A			
3	340261	LATCH	4026FI2408A		
	335501	COVER, FILTER	3550FI1503A		
	335503	COVER, ACCESSORY	3550FI1504A		
	368011	TERMINAL ASS'Y BASE	6801FI1442A		
	339201	PACKING, FILTER	3920FI3733A		
	335502	COVER, WIRE	3550FI3762A		
	435506	COVER, TERMINAL	3550FI1484A		
	650581	TOOL, CREVICE	5058FI3581A		
	652031	BRUSH ASS'Y, DUST	5203FI3738A		
	652481	NOZZLE, UPHOLSTERY	5248FI2261A		
	552491	NOZZLE, ASS'Y FLOOR	5249FI1394A		
349301	HOLDER ACCESSORY	4930FI2446A			
4	452151	HOSE ASS'Y FLEXIBLE	5215FI1308A		
	435501	COVER, GRIP HANDLE-R	3550FI1495A		
	435508	COVER, GRIP HANDLE-L	3550FI1496A		
	435503	COVER, BUTTON	3550FI2470A		
	450202	BUTTON, POWER SWITCH	5020FI2325A		
	468011	PLATE-PWB	3300FI3643A		
	468711	HOSE P.C.B ASS'Y	6871FX2107A		
	435505	PIPE FITTING, COVER-R	5200FI2287B		
	435504	PIPE FITTING, COVER-L	5200FI2288B		
	444802	FITTING HOOK	4I22028H		
	449701	FITTING HOOK SPRING	4I22080A		

BLOCK	L/NO.	PART NAME	P/NO.		
			V-4350PCT		
5	552494	NOZZLE ASS'Y POWER	5249FI1392A		
	530401	BASE, NOZZLE	3040FI1467A		
	533001	PLATE, BOTTOM	3300FI1455A		
	535501	COVER, NOZZLE	3550FI1494A		
	550061	CAP, NOZZLE	5006FI1323A		
	535503	COVER, LIGHT	3550FI2468A		
	548202	BUMPER, NOZZLE	4820FI1449A		
	535505	COVER FLOW	3550FI2469A		
	546811	MOTOR	4681FI2438A		
	344001	BELT, FLAT	4400FI4001A		
	552001	PIPE, SUCTION	5200FI1214A		
	535506	COVER, SENSOR	3550FI3765A		
	549301	HOLDER, PIPE SUCTION	4930FI2443A		
	535507	COVER, RELEASE	3550FI3766A		
	530582	PEDAL, RELEASE(PPIPE)	3058FI3004A		
	530581	PEDAL ASS'Y, SELECTOR	3059FI3002A		
	530591	PEDAL ASS'Y, RELEASE	3059FI3001A		
	545102	LEVER, PAWL	4510FI4668A		
	549801	SUPPORTER, PAWL	4980FI4705A		
	546602	WHEEL, RATCH	4660FI3737A		
	537901	WINDOW, LED	3790FI4530A		
	550202	BUTTON, RESET	5020FI4512A		
	568711	PWB, ASS'Y	6871FX2108A		
	545801	ROLLER	4580FI4585A		
	543702	SHAFT, ROLLER	4370FI3657A		
	546603	WHEEL	4660FI4564A		
	535251	BULB ASS'Y	3525FI4001B		
	549311	HOLDER ASS'Y, LAMP	4931FI3685B		
	537902	WINDOW, VIEWING	3790FI4529A		
	549701	SPRING, BUTTON	4970FI4511B		
	559731	AGITATOR ASS'Y	5973FI1001B		
6	652012	PIPE ASS'Y, TELESCOPIC	5201FI1001A		