

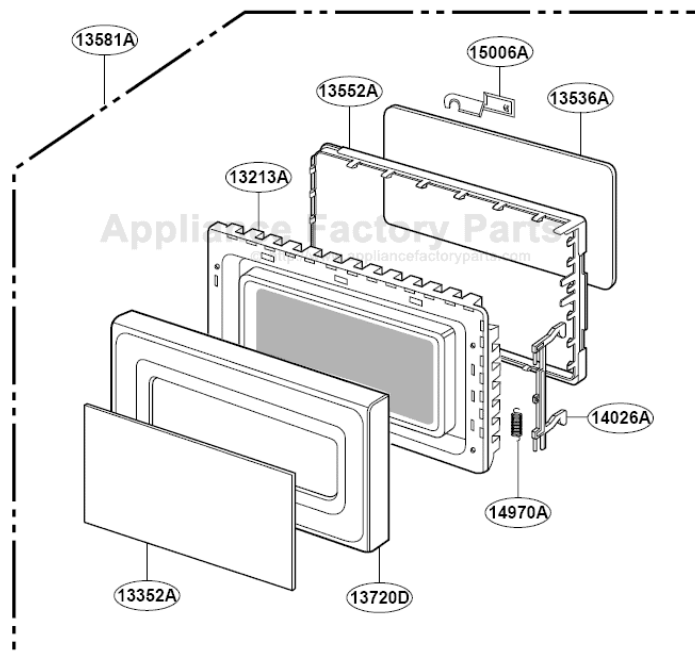
This Owner's Manual is provided and hosted by Appliance Factory Parts.



WHIRLPOOL VMB1130SHQ Owner's Manual

[Shop genuine replacement parts for WHIRLPOOL
VMB1130SHQ](#)

DOOR PARTS

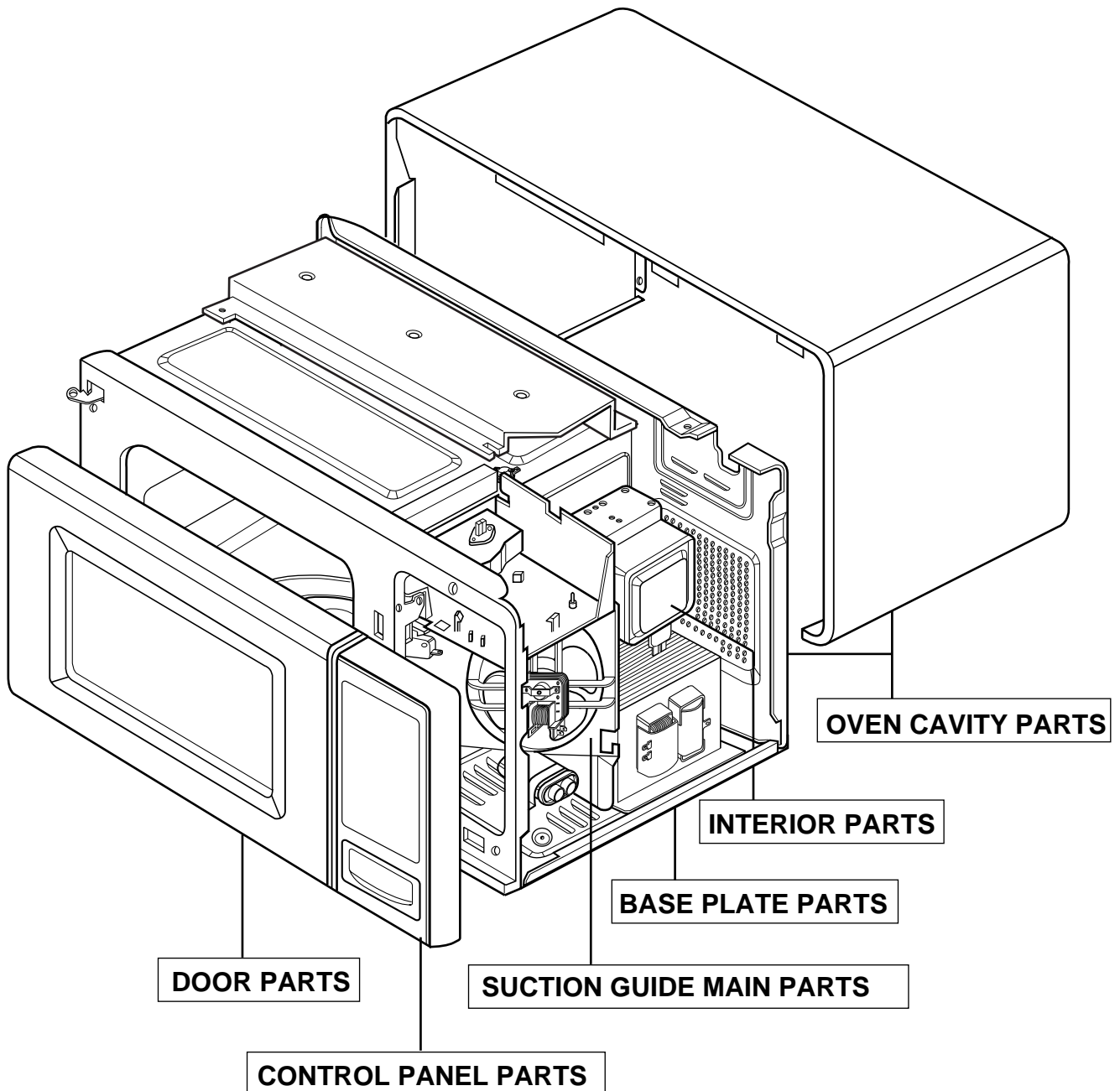


[Find Your WHIRLPOOL Microwave Parts - Select From 1350 Models](#)

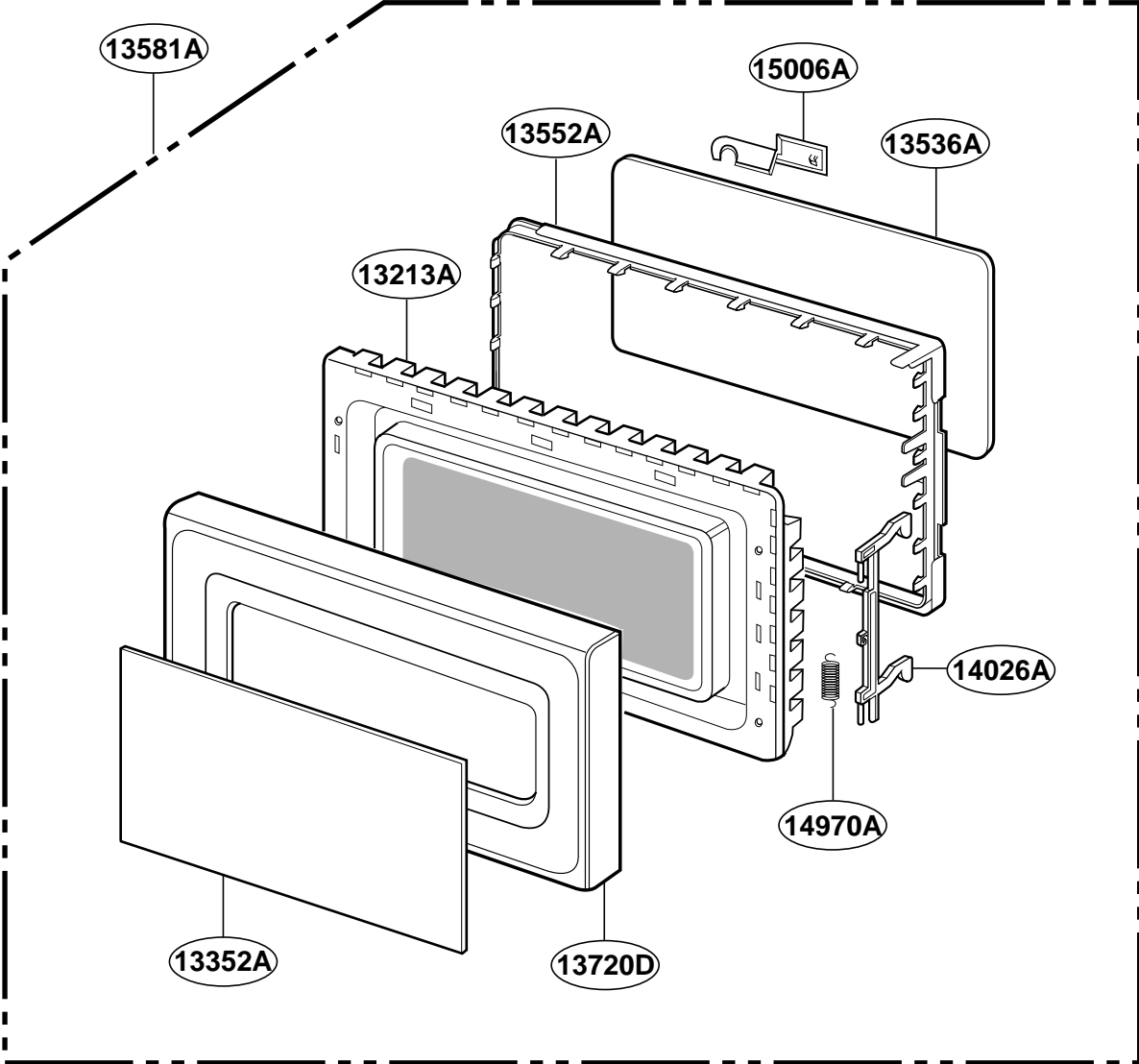
----- Manual continues below -----

EXPLODED VIEW

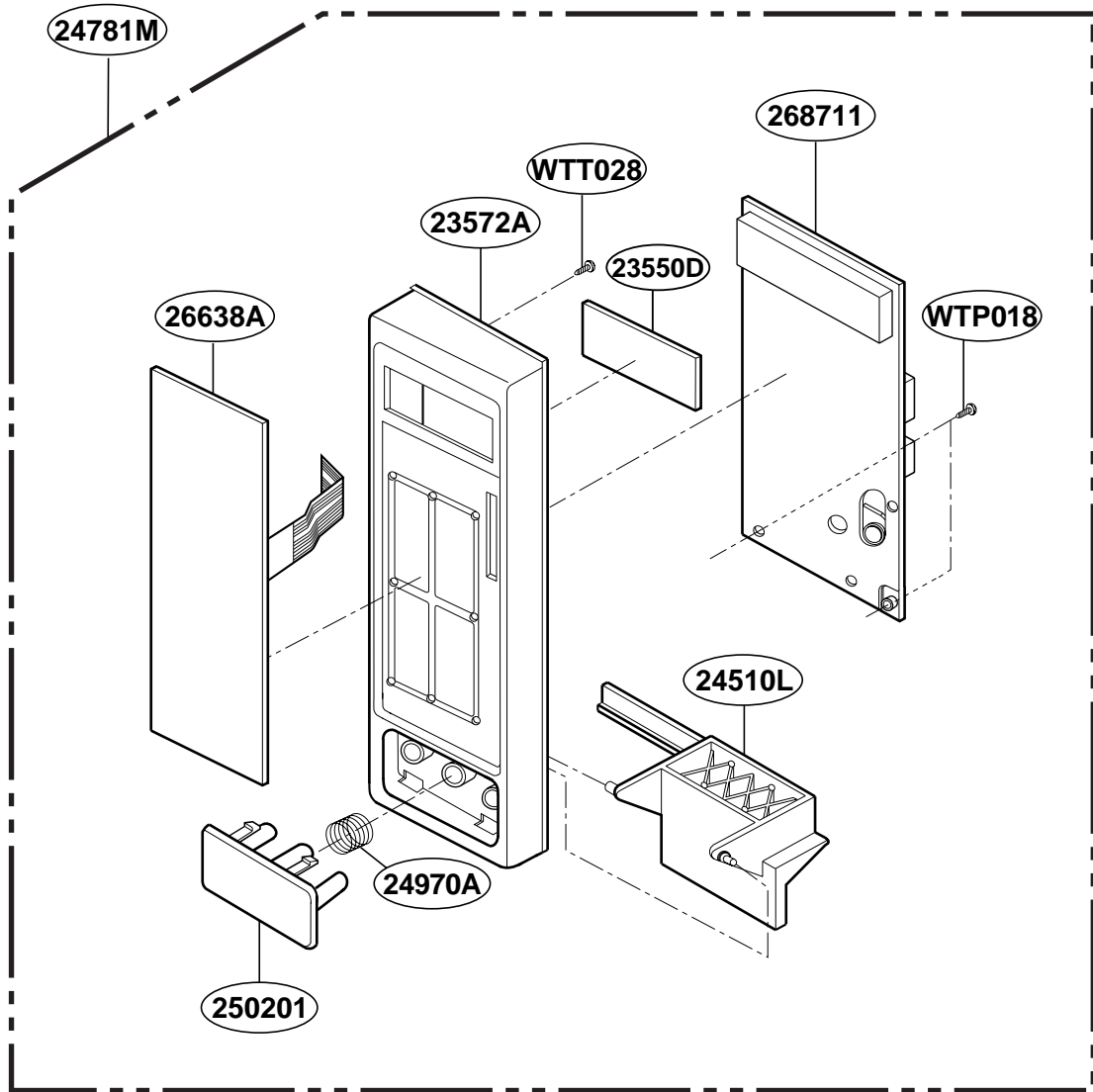
INTRODUCTION



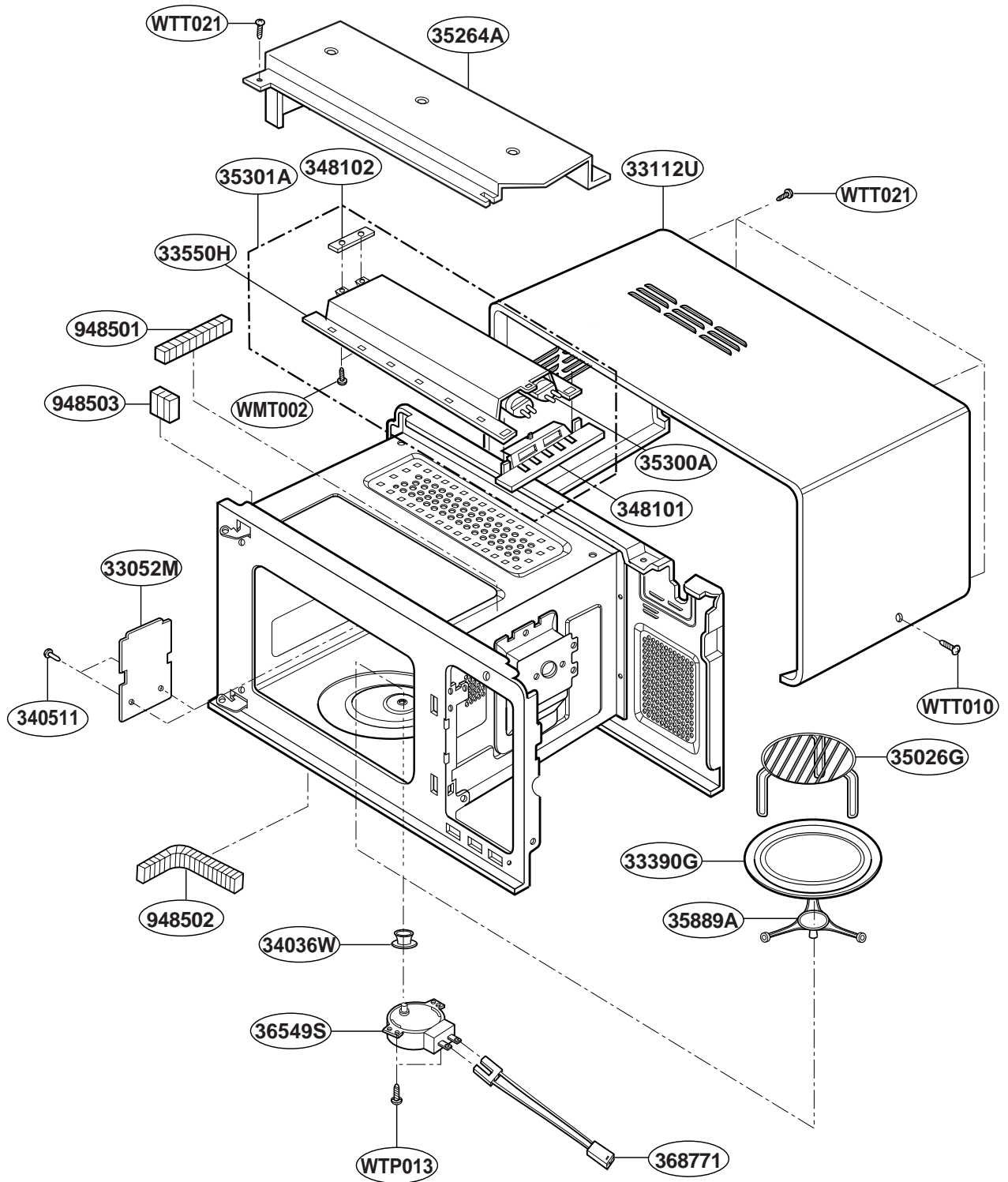
DOOR PARTS



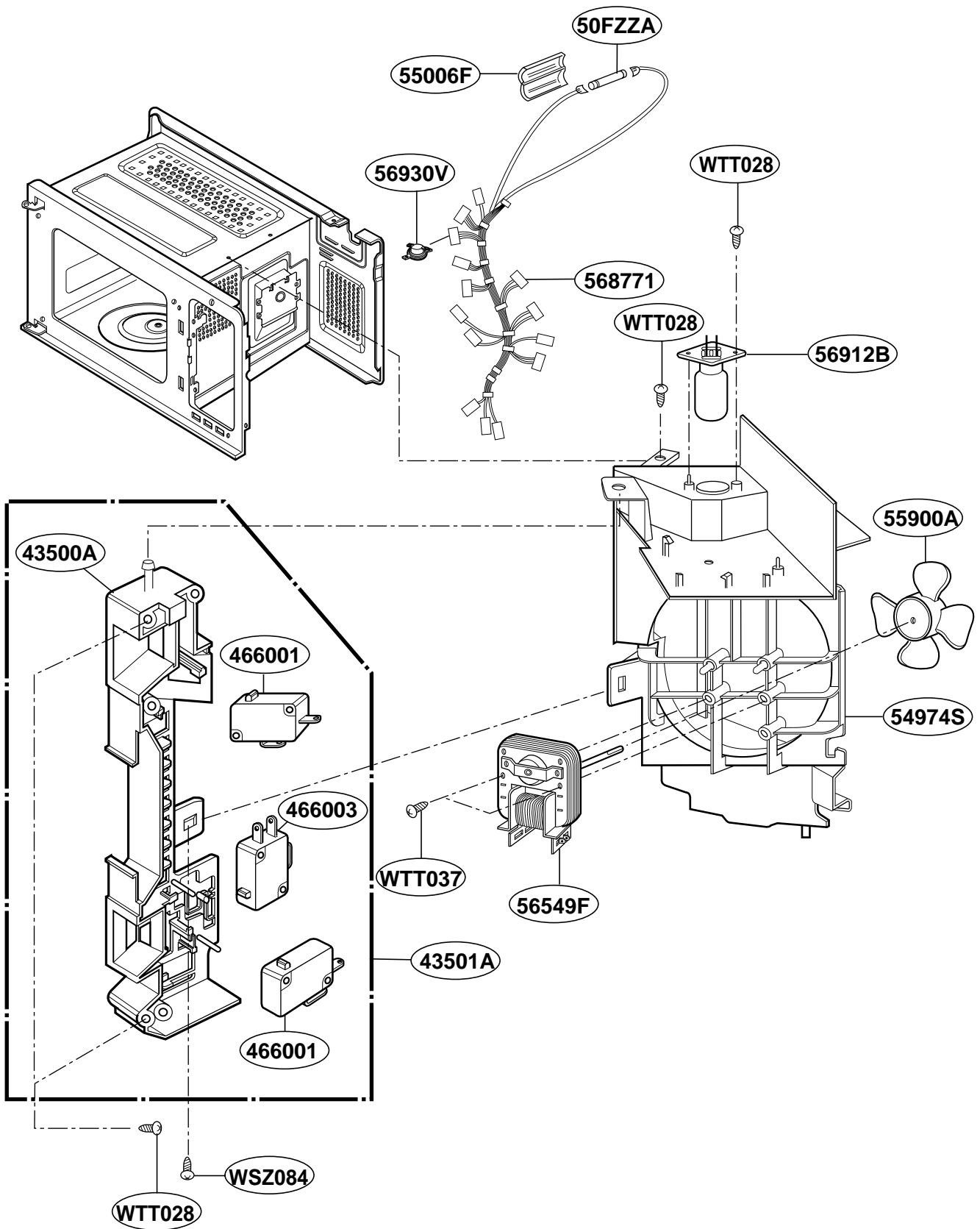
CONTROLLER PARTS



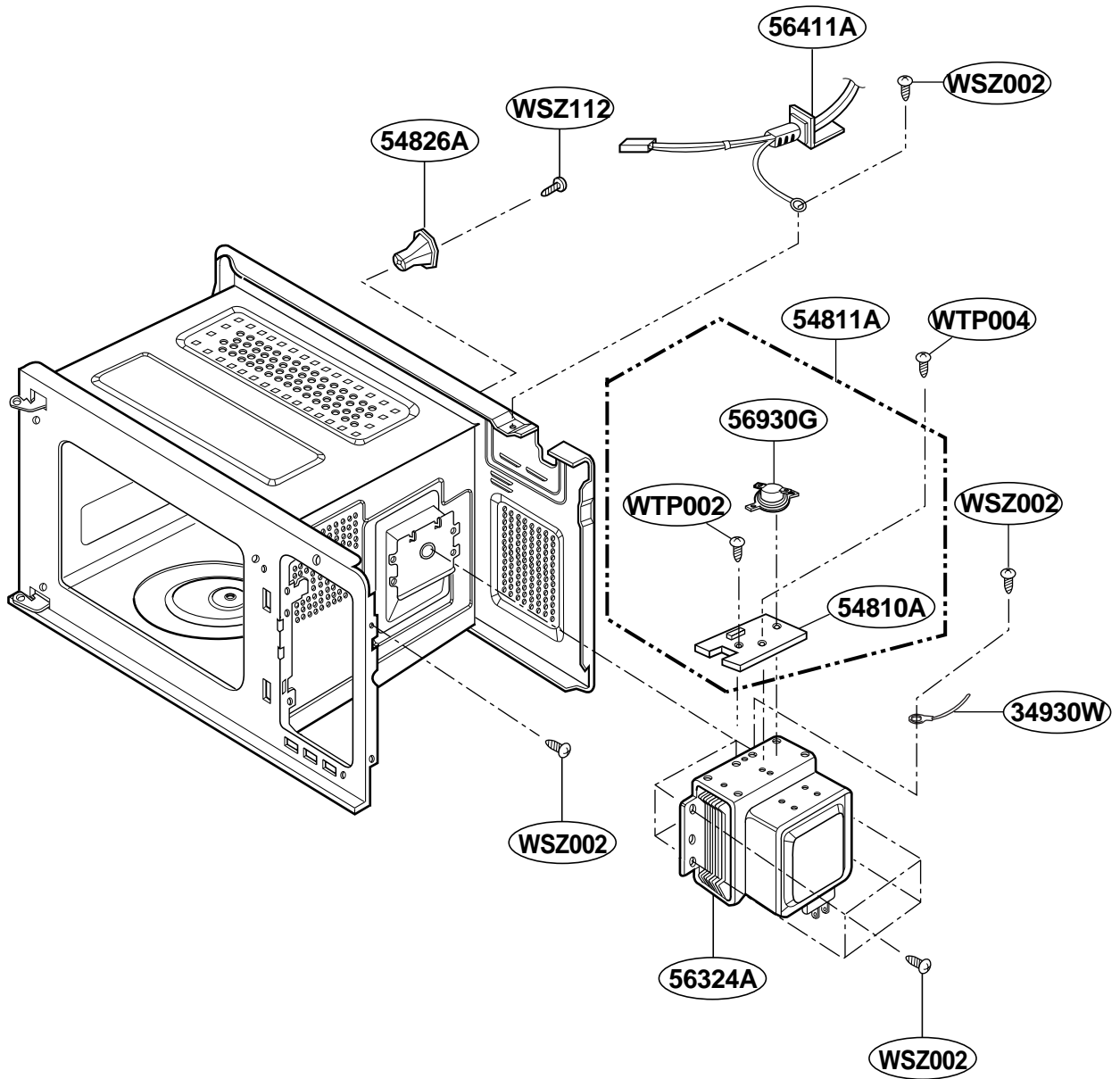
OVEN CAVITY PARTS



SUCTION GUIDE PARTS



INTERIOR PARTS



BASE PLATE PARTS

