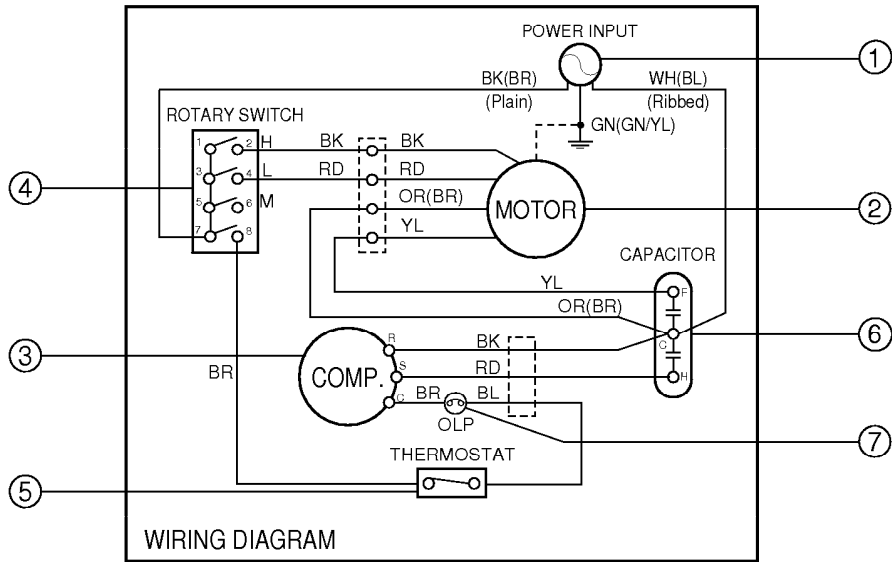


5. CIRCUIT DIAGRAM



LOCATION NO.	DESCRIPTION	PART NO.		QTY PER SET
		ZQ05A10A	ZQ07A10A	
1	POWER CORD ASSY	2H00677P		1
2	FAN MOTOR	4681A10002A	4681A10002K	1
3	COMPRESSOR	2520UABC2EA	2520UAFC2BA	1
4	ROTARY SWITCH	2H00154H		1
5	THERMOSTAT	2H01109M		1
6	CAPACITOR	6120AR2359V	0CZZA20001W	1
7	OVERLOAD PROTECTOR	6750U-L050A	6750U-L005A	1