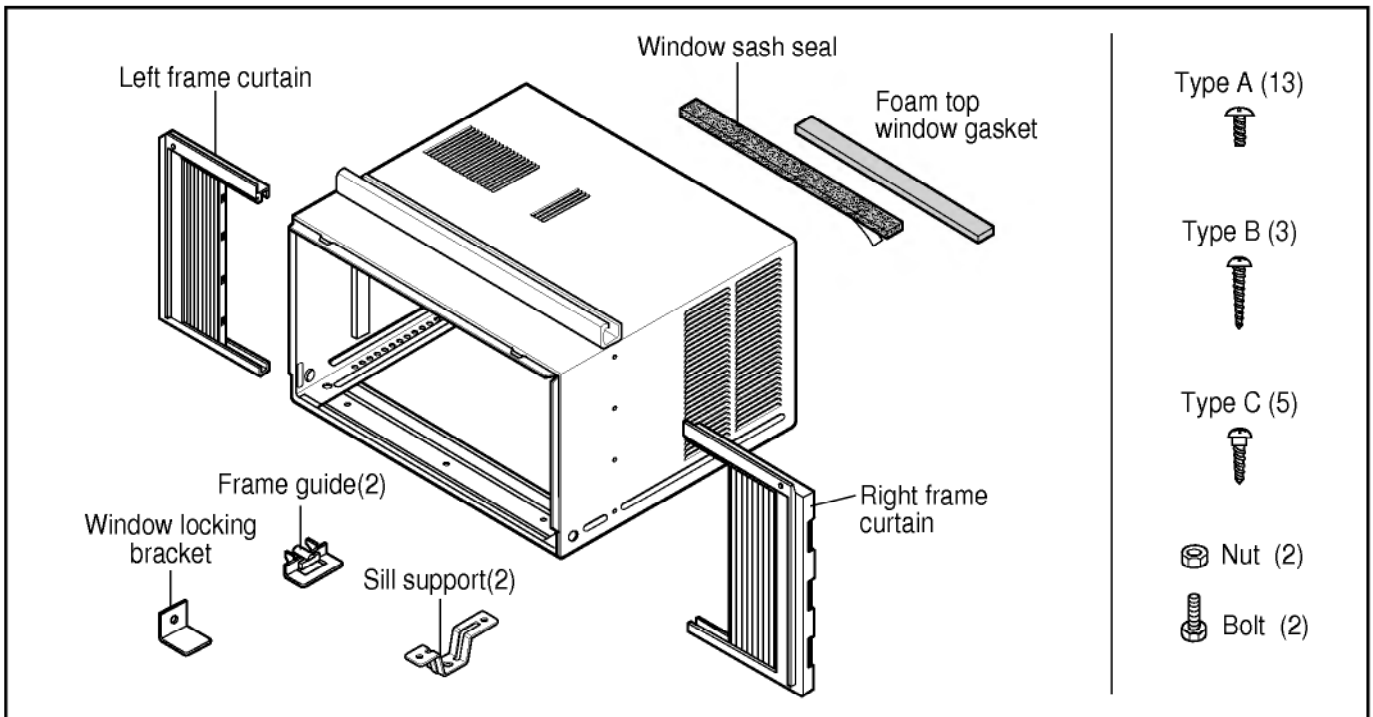


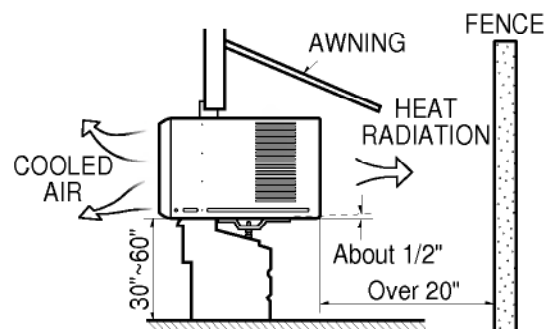
# 3. INSTALLATION

## 3.1 INSTALLATION HARDWARE

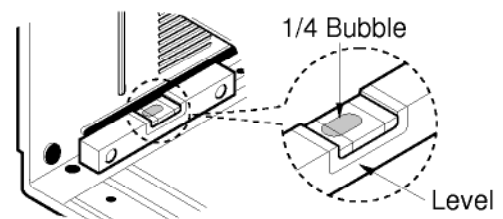


## 3.2 SELECT THE BEST LOCATION

- Step 1. To prevent vibration and noise, make sure the unit is installed securely and firmly
- Step 2. If possible, install the unit where sunlight does not shine directly on the unit.
- Step 3. The outside of the cabinet must extend outward for at least 11" and there should be no obstacles, such as a fence or wall, within 20" from the back of the cabinet because it will prevent heat radiation of the condenser. Restriction of outside air will greatly reduce the cooling efficiency of the air conditioner.
- Step 4. Install the unit with a little tilt outward not to leak the condensed water into the room (about 10~15cm or 1/4 bubble with level).

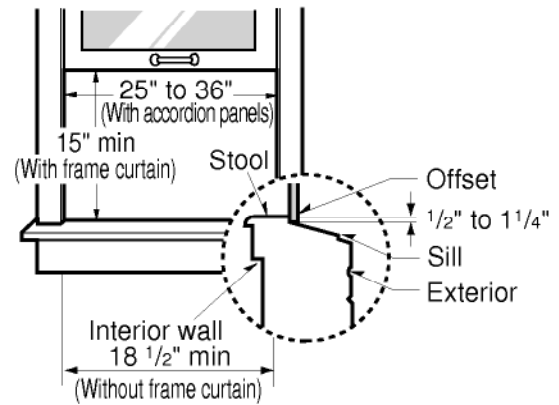


**CAUTION:** All side louvers of the cabinet must remain exposed to the outside of the structure.



### 3.3 WINDOW REQUIREMENTS

- Step 1. These instructions are for a standard double hung window. You will need to modify them for other types of windows.
- Step 2. The air conditioner can be installed without the frame curtain if needed to fit in a narrow window. See the window opening dimensions to the right.
- Step 3. All supporting parts must be secured to firm wood, masonry, or metal.
- Step 4. The electric outlet must be within reach of the power cord.



### 3.4 STORM WINDOW REQUIREMENTS

A storm window frame will not allow the air conditioner to tilt toward the outside and will keep it from draining properly. To adjust for this, attach a piece of wood to the stool.

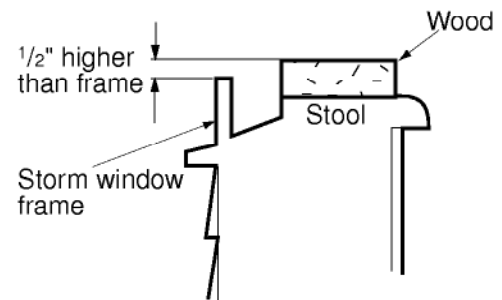
#### WOOD PIECES—

**Width:** Minimum 1 1/2"(38mm)

**Length:** Long enough to fit inside the window frame.

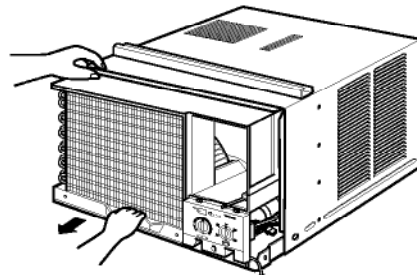
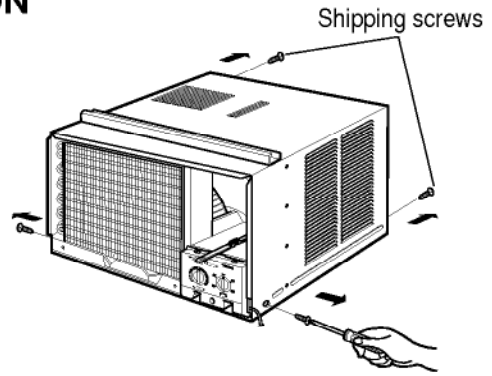
**Thickness:** To determine the thickness, place a piece of wood on the stool to make it 1/2" higher than the top of the storm window frame.

Attach securely with nails or screws provided.



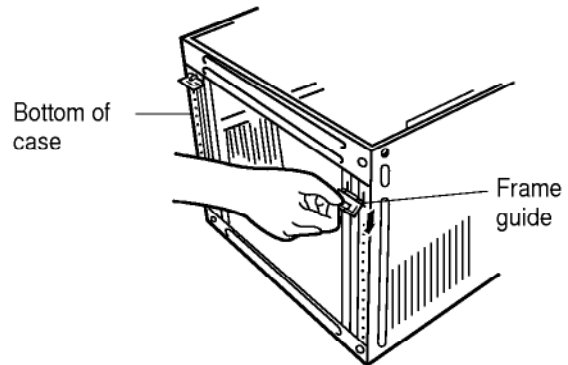
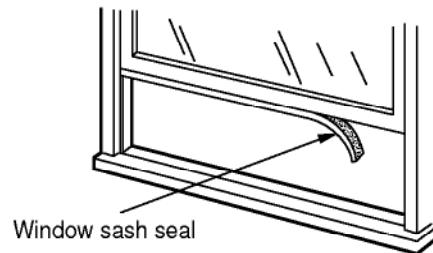
### 3.5 PREPARING THE UNIT FOR INSTALLATION

- ✓ Remove the 2 shipping screws from the back of the case.
- ✓ Remove the 2 screws on each side of the case. Keep these for later use.
- ✓ Slide the air conditioner from the case by gripping the base pan handle and pulling forward while bracing the case.

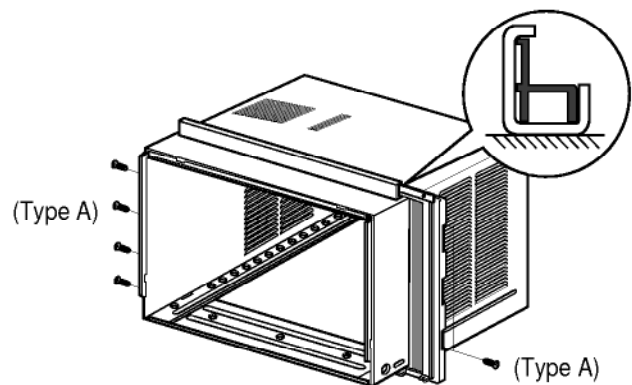


### 3.6 BEFORE INSTALLATION...

- ✓ Cut the window sash seal to the proper length. Peel off the backing and attach the seal to the underside of the window sash.
- ✓ Carefully insert the plastic frame guides into the bottom of the case on each side. When the frame guides are set, the arrows should be pointing toward the back end of the unit.

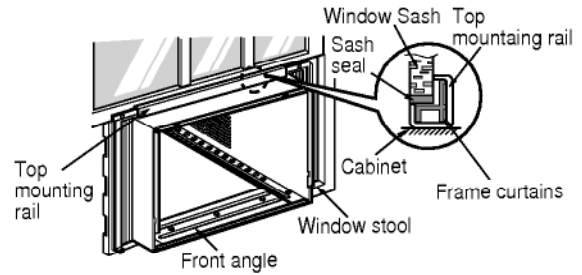


- ✓ Insert the frames for the frame curtains into the top mounting rail and the frame guides. Attach the frame curtains to the side of the case using 4 type A screws



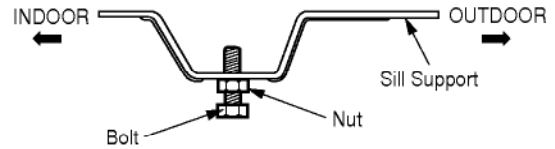
### 3.7 INSTALL THE CASE IN THE WINDOW

- Step 1. Open the window and mark the centerline of the window stool (or desired air conditioner location).
- Step 2. Carefully place the case on the window stool and align the center mark on the bottom front with the centerline of the stool.
- Step 3. Pull the window down behind the top mounting rail.

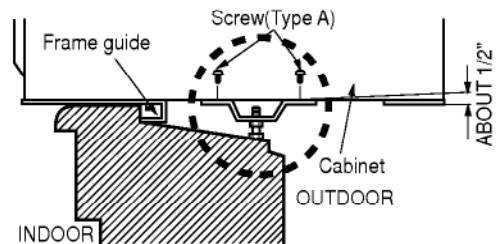


**NOTE:** Do not shut the window so tightly that movement of the frame curtains is restricted.

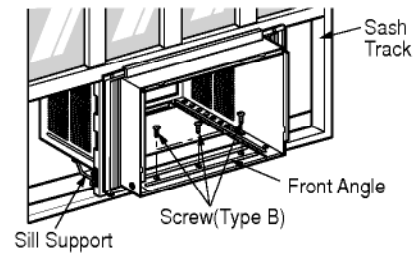
- Step 4. Loosely assemble the sill supports.



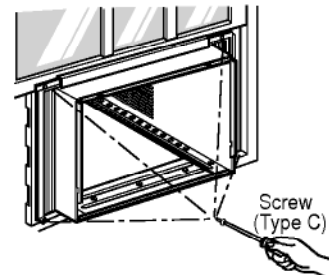
- Step 5. Select the position that will place the sill supports near the outermost point on the sill. Attach the sill supports to the case track hole in relation to the selected position using 2 type A screws in each support.



- Step 6. Adjust the bolt and the nut in each support so that the case is installed with a slight downward tilt (about 1/2").
- Step 7. Secure the case to the window stool by using 3 type B screws.

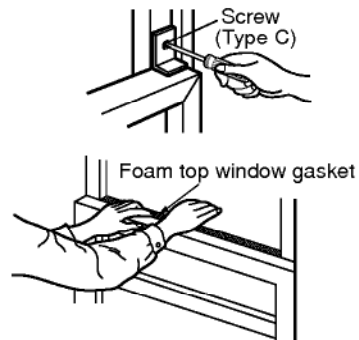


- Step 8. Pull the frame curtains to each window sash track. Attach them on each side to the window sash and the window stool using 4 type C screws.



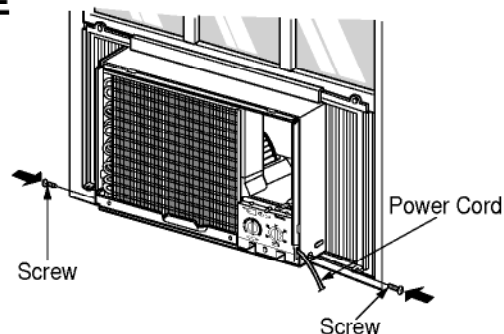
### 3.8 INSTALL THE WINDOW LOCKING BRACKET AND THE FOAM TOP WINDOW GASKET

- Step 1. Attach the window locking bracket with type C screw.
- Step 2. Cut the foam top window gasket to the window width.
- Step 3. Stuff the foam between the glass and the window to prevent air and insects from getting into the room.

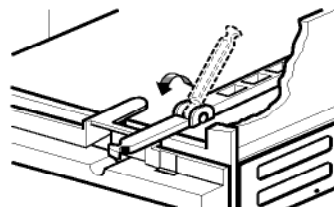


### 3.9 INSTALL THE AIR CONDITIONER IN THE CASE

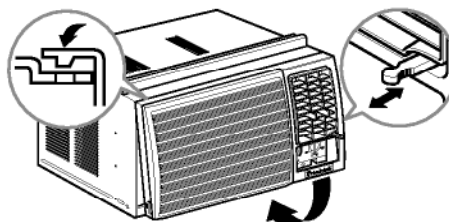
Step 1. Slide the air conditioner into the case. Reinstall the 2 screws removed earlier on each side of the case.



Step 2. Before installing the front grille, pull out the vent control lever located above the unit control knobs, as shown.



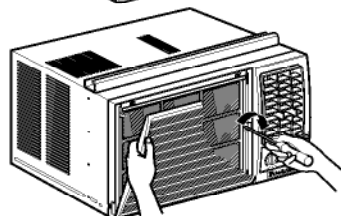
Step 3. Attach the front grille to the case by inserting the tabs on the grille into the slots on the front of the case. Push the grille in until it snaps into place.



When you detach the front grille from the case, push the grille to your right side and pull it toward you.



Step 4. Lift the inlet grille and secure the front grille with a type A screw. Lower the inlet grille into place.



### 3.10 TO REVERSE THE GRILLE OPENING

The Friedrich ZQ08A10A has a reversible grille. The grille is designed to open from both the top and the bottom.

To reverse the grille opening, you must follow the following steps;

- Step 1. Pull the entire grill of the front of the unit and locate the hinges that hold the grille in place on the inside of the grille.
- Step 2. Insert the tip of a flat screwdriver in between one of the Hinges and the ball shaped bearing of the grille.
- Step 3. Very carefully pull the bearing out of the socket of the Hinge and repeat steps 1-3 for the remaining hinge and socket.
- Step 4. Locate the top hinges on the grille.
- Step 5. Turn the grille upside down and using flat screwdriver, create an opening on the top hinge and insert the ball shaped bearing to snap the grille in place. Repeat the same steps on the remaining hinge.

