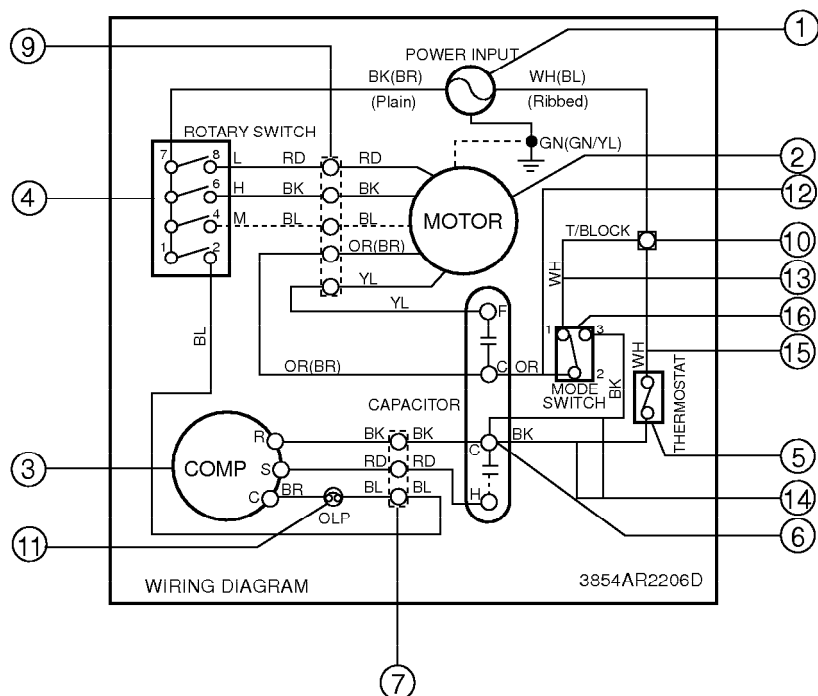


5. SCHEMATIC DIAGRAM

• CIRCUIT DIAGRAM

• MODEL : ZQ08A10A



LOCATION NO.	DESCRIPTION	PART NO.	QTY PER SET	REMARKS
		ZQ08A10A		
1	POWER CORD ASS'Y	2H00677P	1	
2	MOTOR ASS'Y	4681A20027B	1	
3	COMPRESSOR	5416A20013B	1	
4	ROTARY SWITCH	2H00598E	1	
5	THERMOSTAT	2H01109L	1	
6	CAPACITOR, SH	6120AR2359Y	1	
7	CONNECTOR ASS'Y	6631AR3843N	1	
9	CONNECTOR ASS'Y	6631AR2687A	1	
10	T/BLOCK	3H00390B	1	
11	OVERLOAD PROTECTOR	6750A30001A	1	
12	CONDUCTOR	6862AR2348D	1	
13	CONDUCTOR	6862AR2348G	1	
14	CONDUCTOR	6862AR2348E	1	
15	CONDUCTOR	6862AR2348F	1	
16	ROCKER SWITCH	2H01316C	1	