

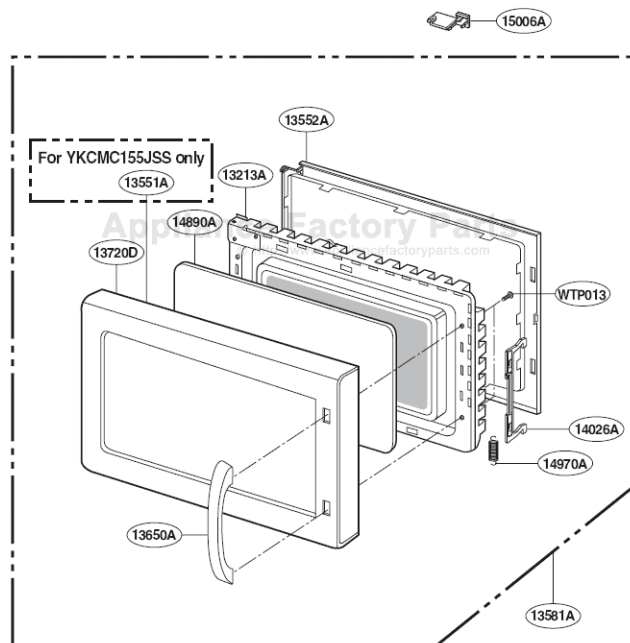
This Owner's Manual is provided and hosted by [Appliance Factory Parts](http://Appliance Factory Parts).



# KITCHENAID YKCMC155JBT-0 Owner's Manual

[Shop genuine replacement parts for KITCHENAID  
YKCMC155JBT-0](#)

## DOOR PARTS



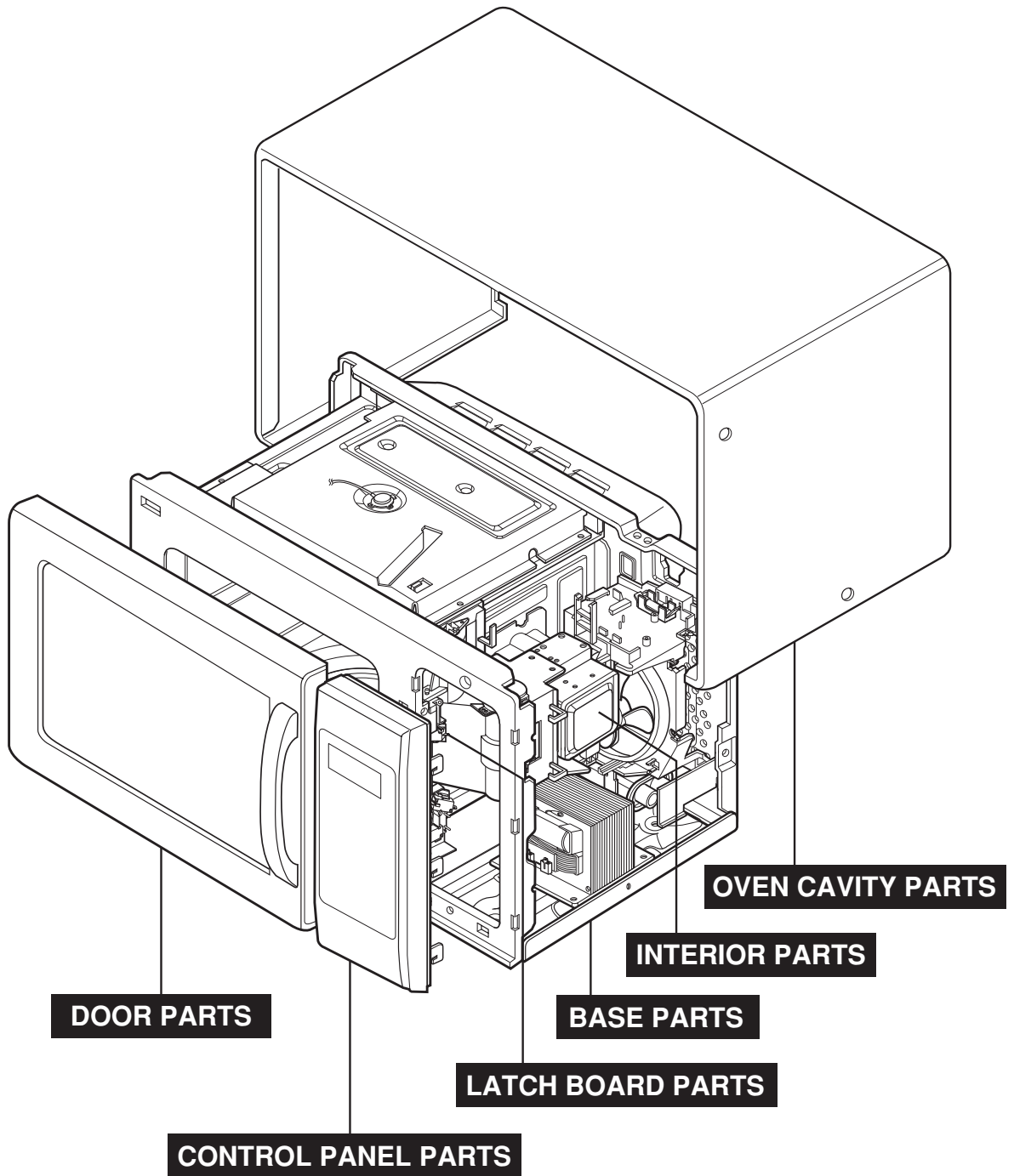
[Find Your KITCHENAID Microwave Parts - Select From 105 Models](#)

----- Manual continues below -----

# EXPLODED VIEW

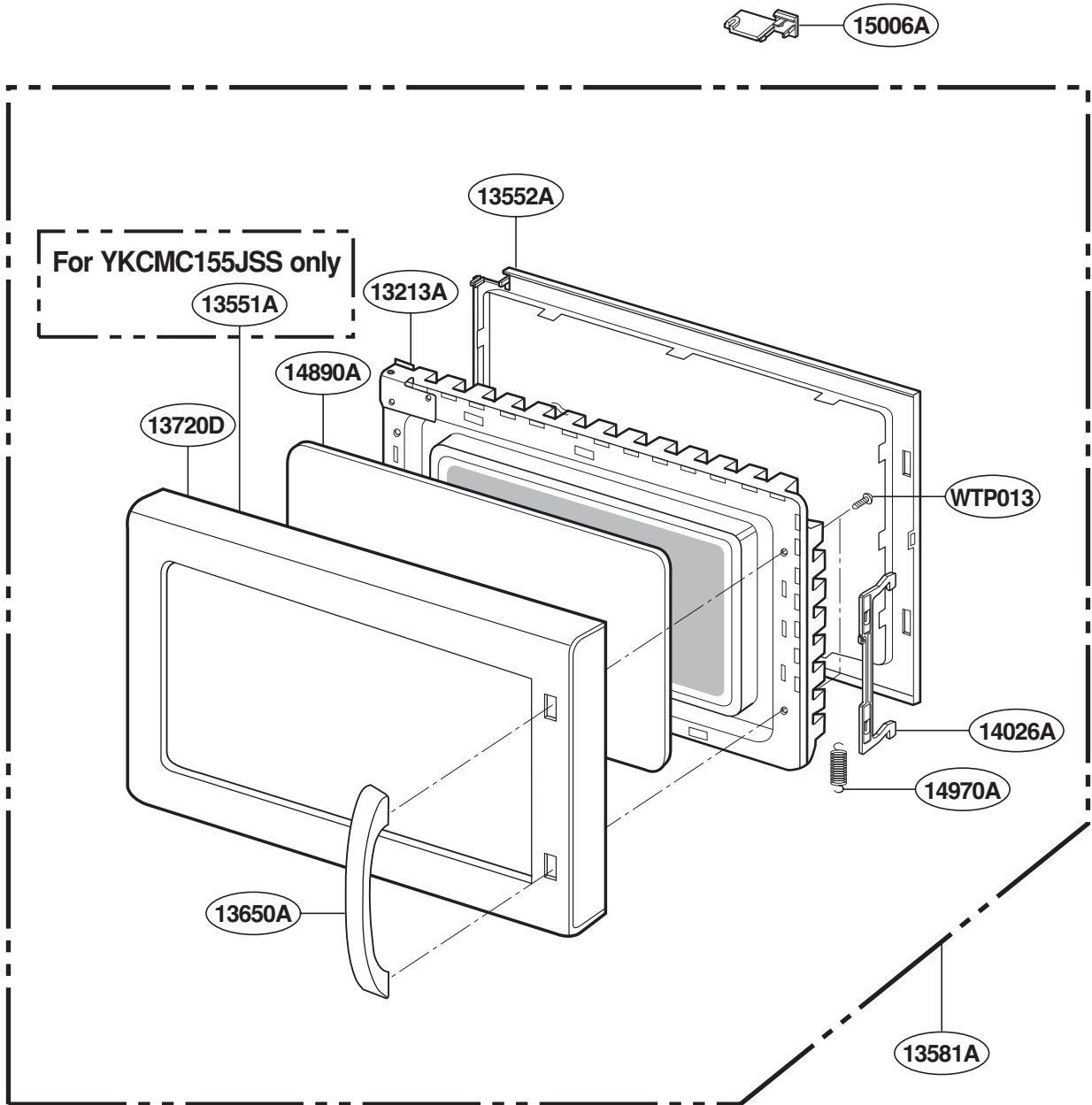
## INTRODUCTION

Model : YKCMC155JBL  
YKCMC155JWH  
YKCMC155JBT  
YKCMC155JSS



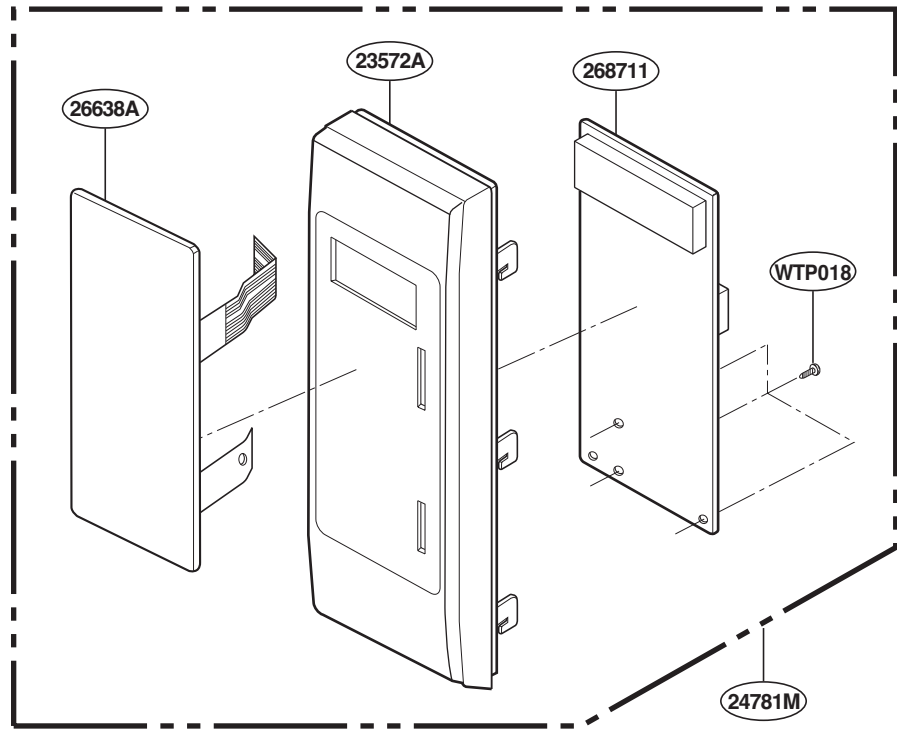
P/No: 3828W5S1652

# DOOR PARTS

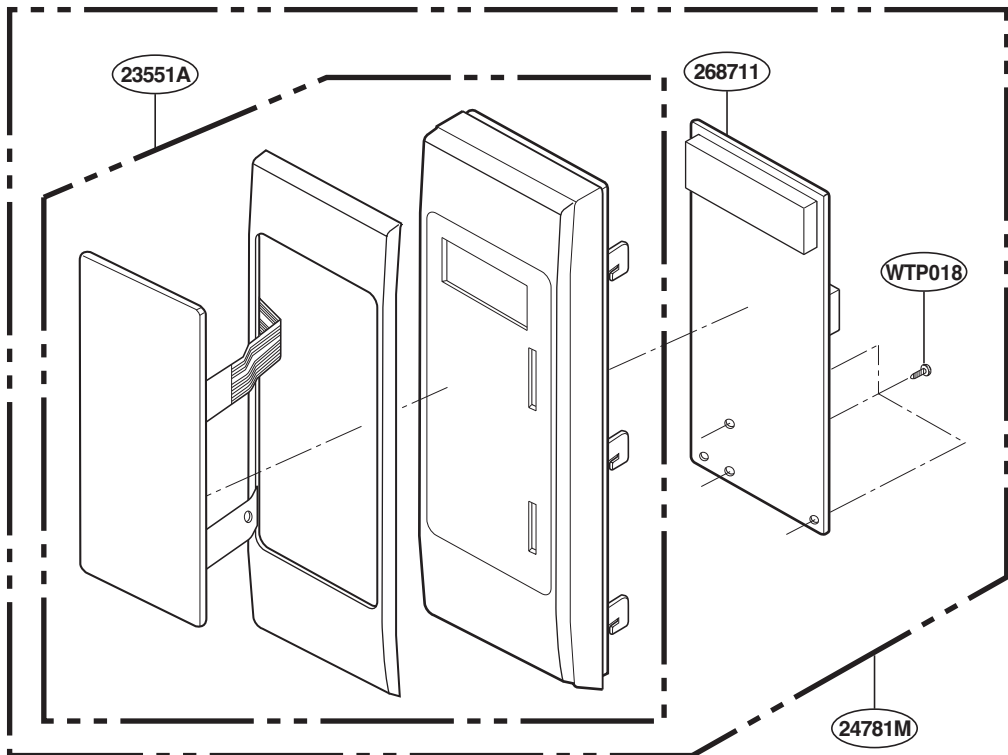


# CONTROLLER PARTS

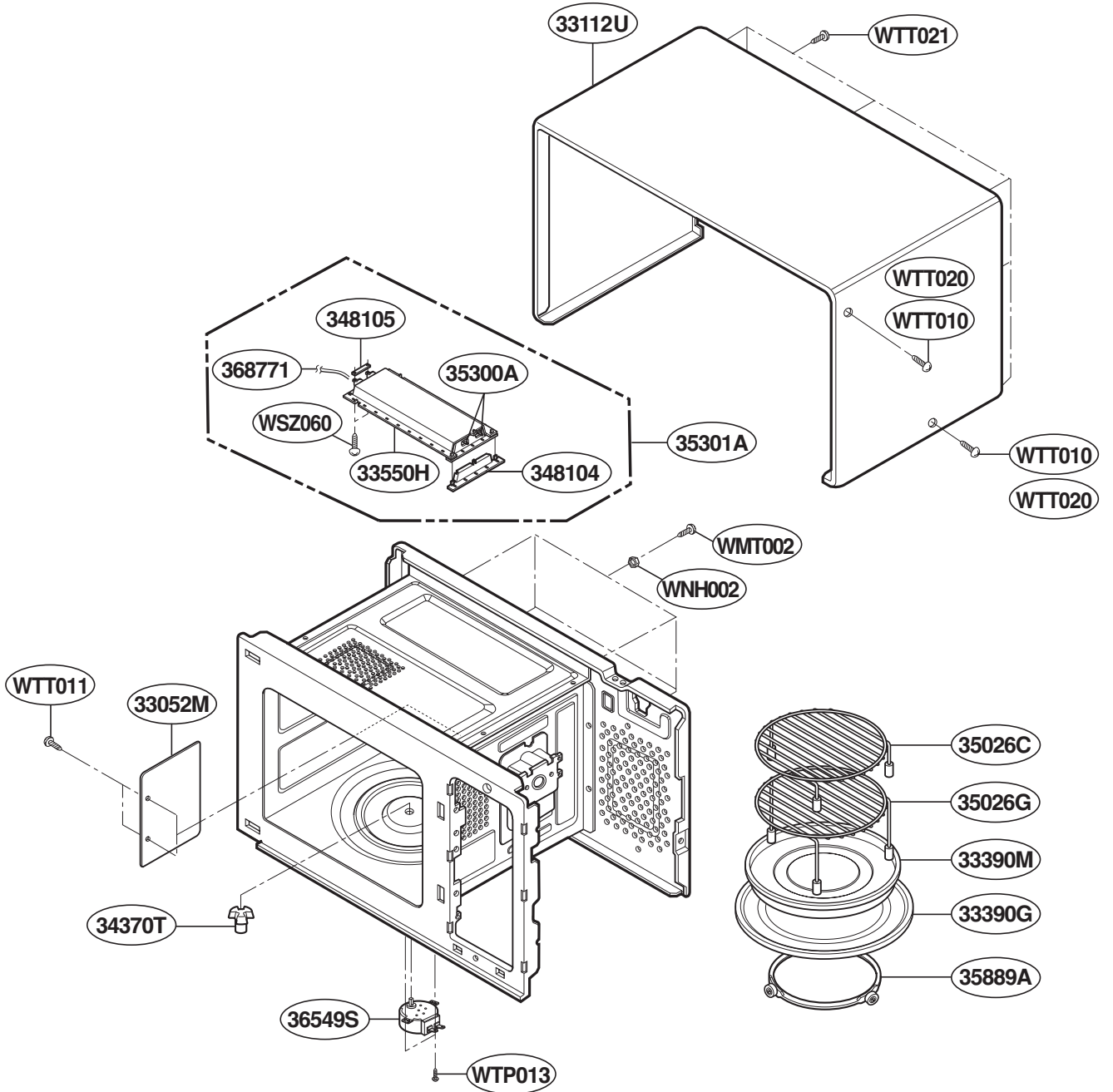
For Model : YKCMC155JBL  
YKCMC155JWH  
YKCMC155JBT



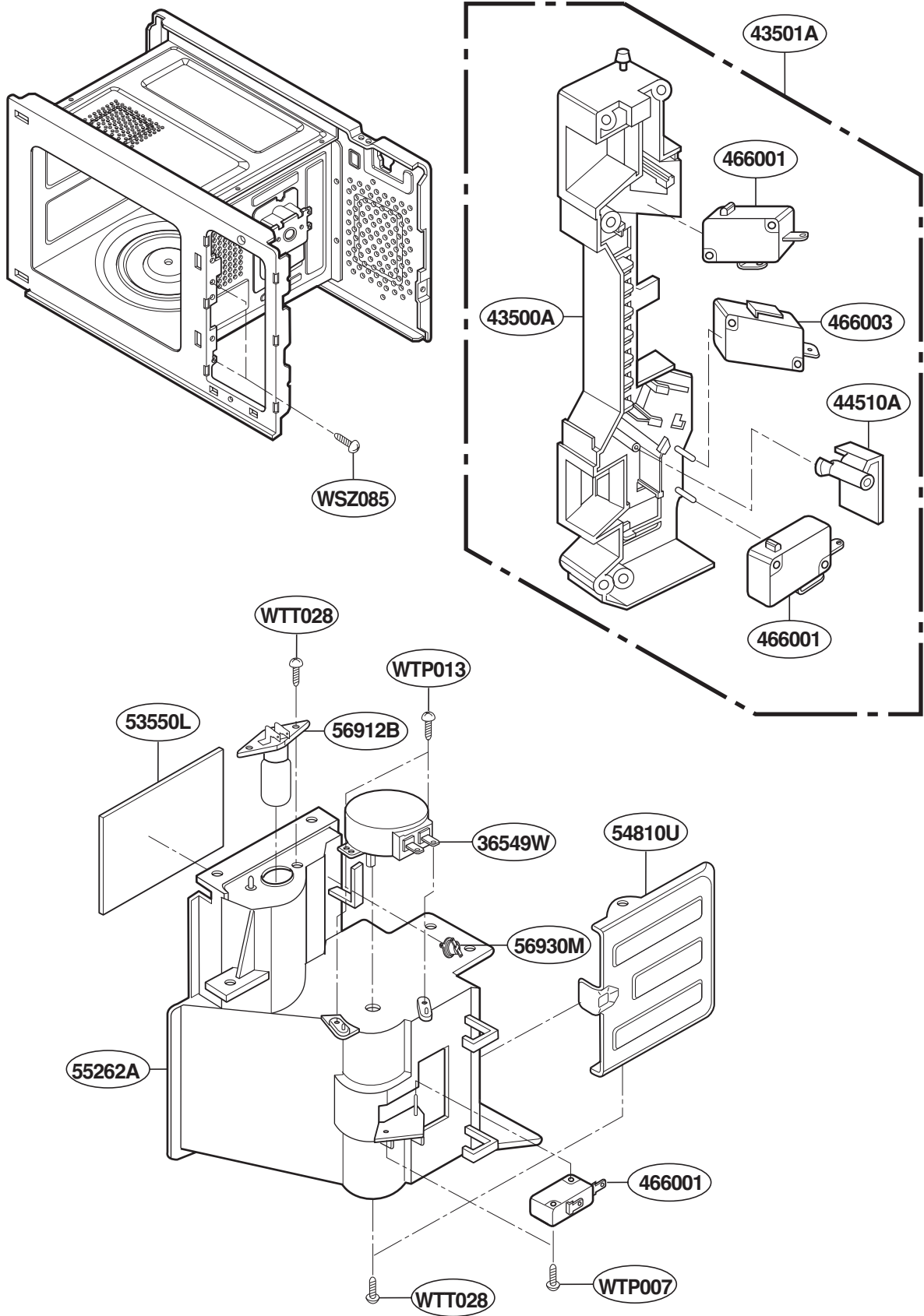
For Model : YKCMC155JSS



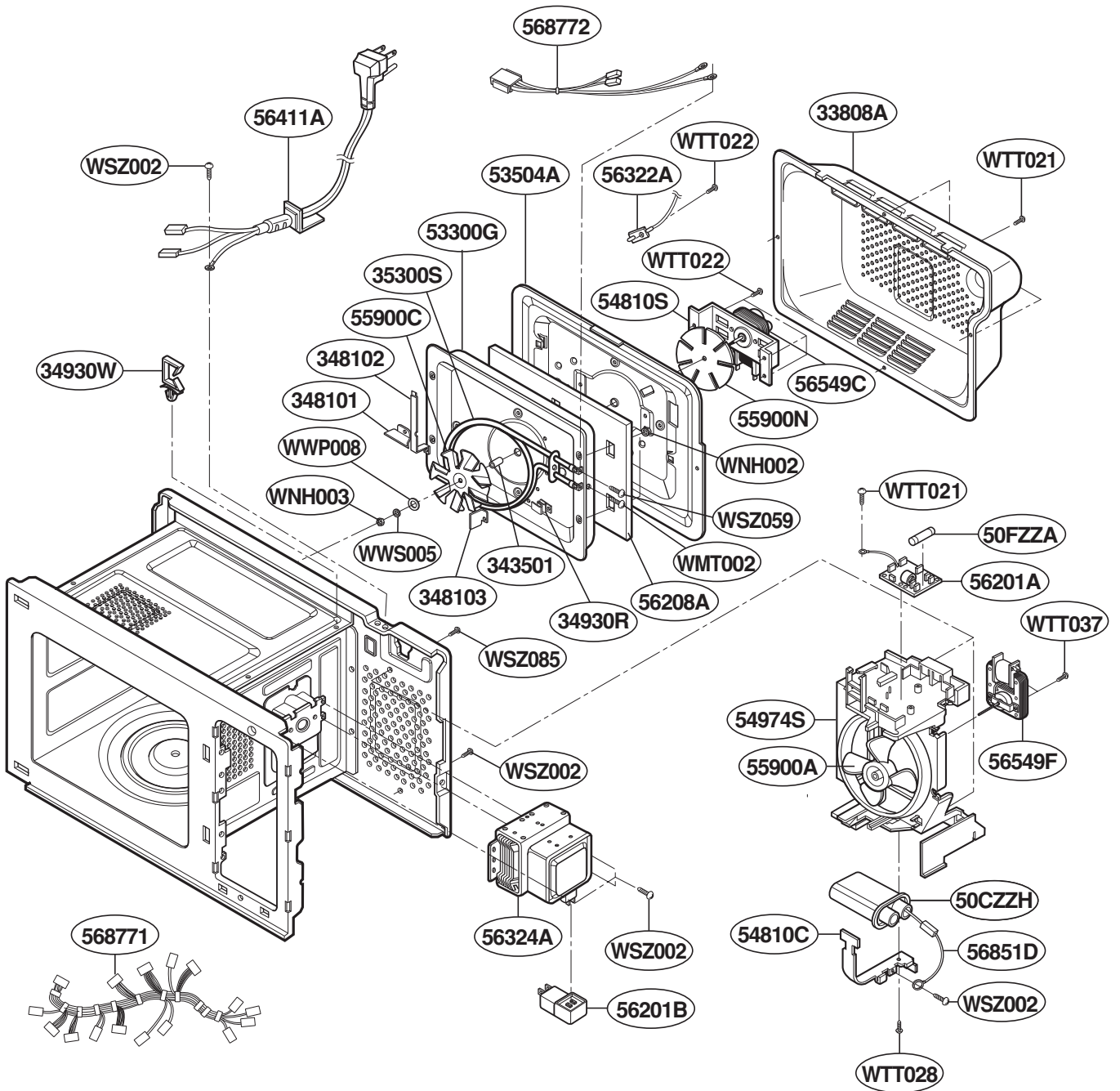
# OVEN CAVITY PARTS



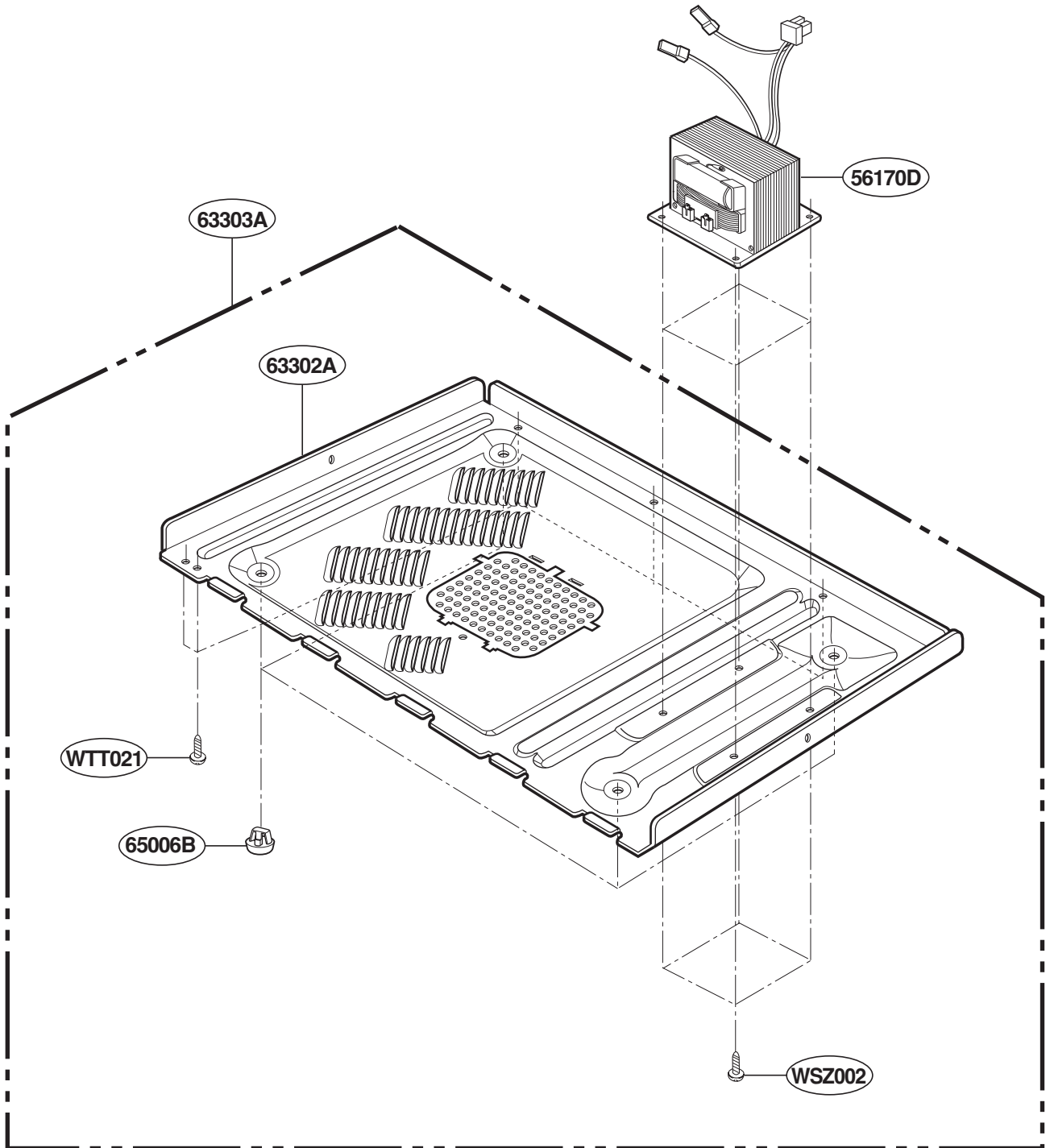
# LATCH BOARD PARTS



# INTERIOR PARTS



# BASE PLATE PARTS



# SENSOR PARTS

