

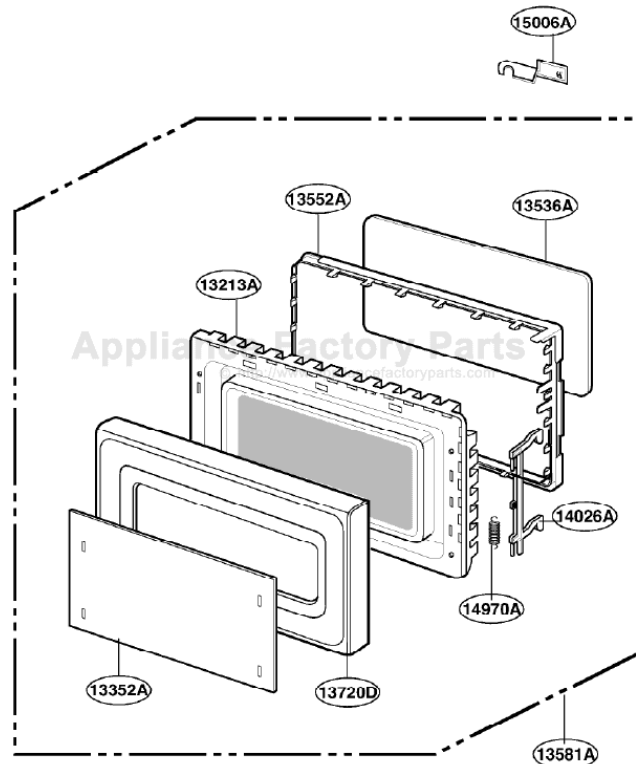
This Owner's Manual is provided and hosted by [Appliance Factory Parts](http://ApplianceFactoryParts.com).



# KITCHENAID YKCMS135GSS Owner's Manual

[Shop genuine replacement parts for KITCHENAID  
YKCMS135GSS](#)

## DOOR PARTS

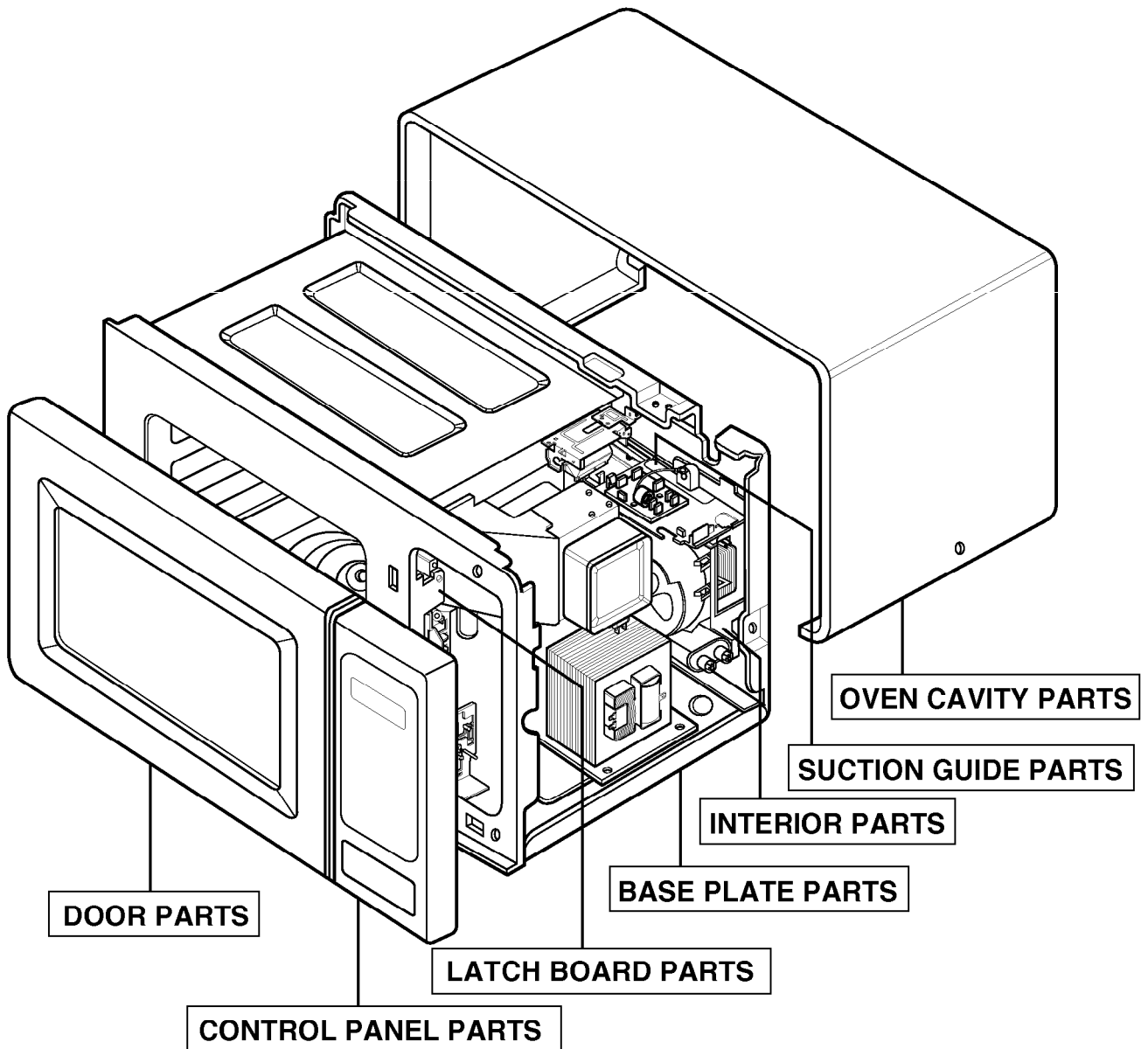


[Find Your KITCHENAID Microwave Parts - Select From 105 Models](#)

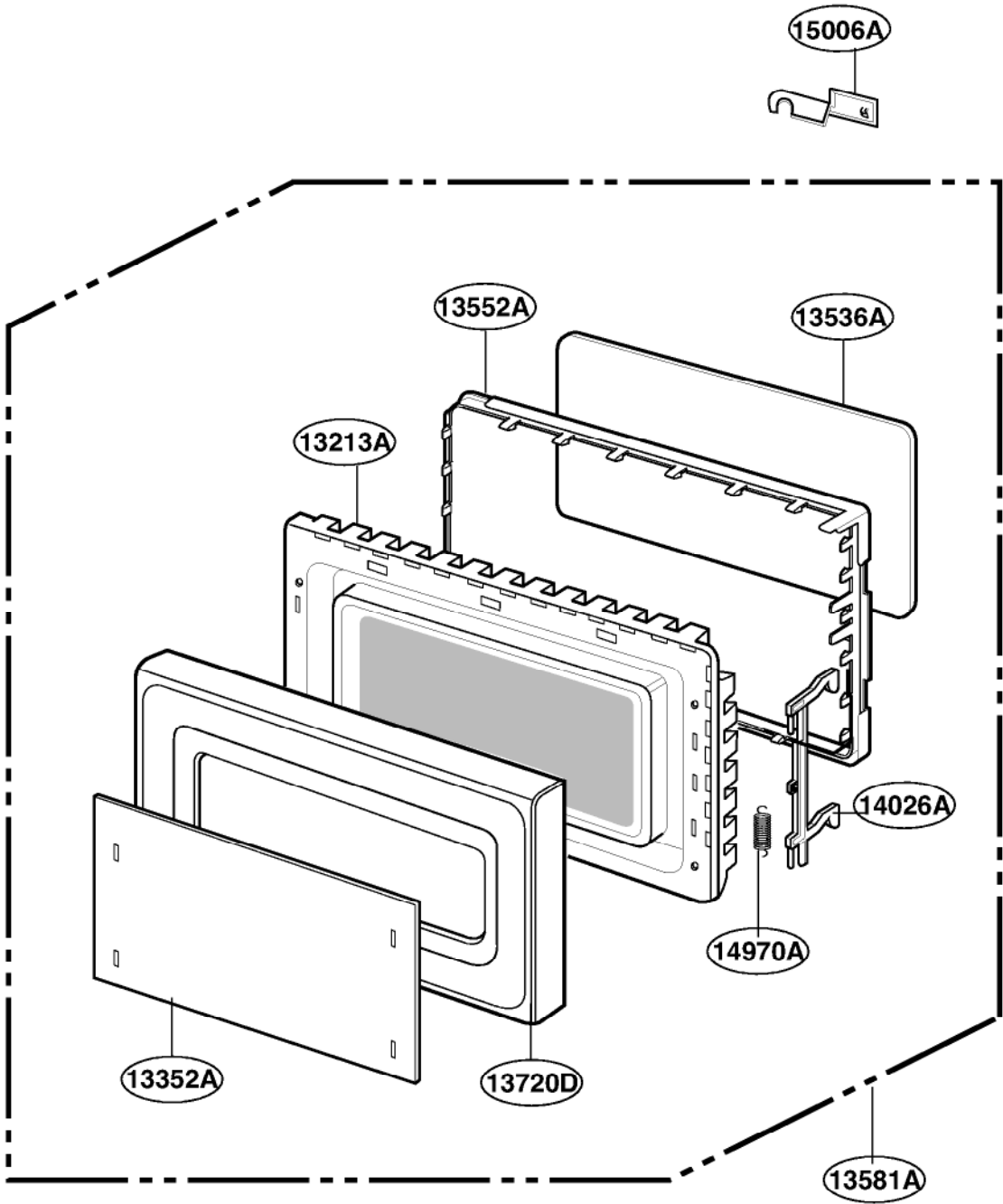
----- Manual continues below -----

# EXPLODED VIEW

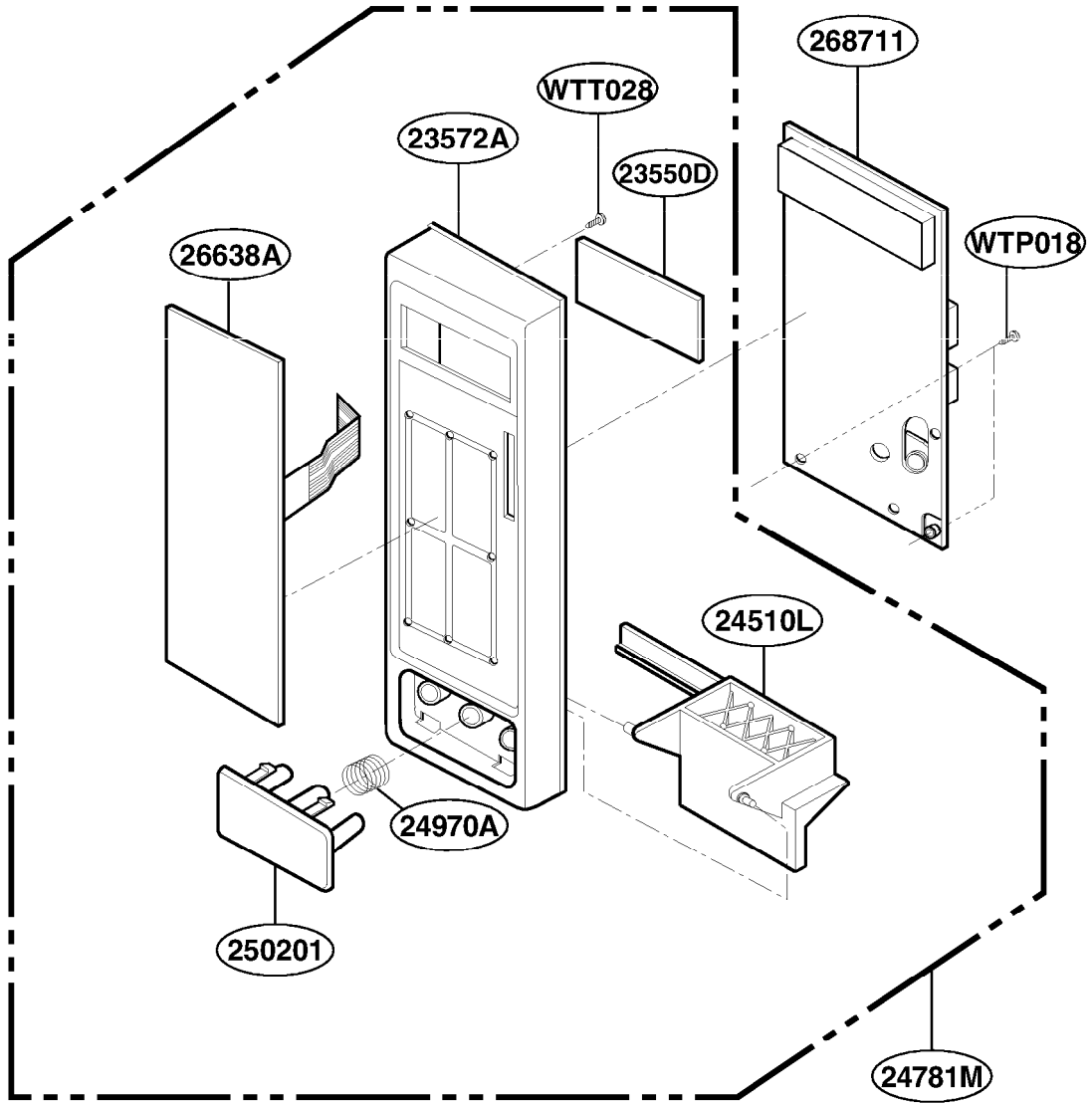
## INTRODUCTION



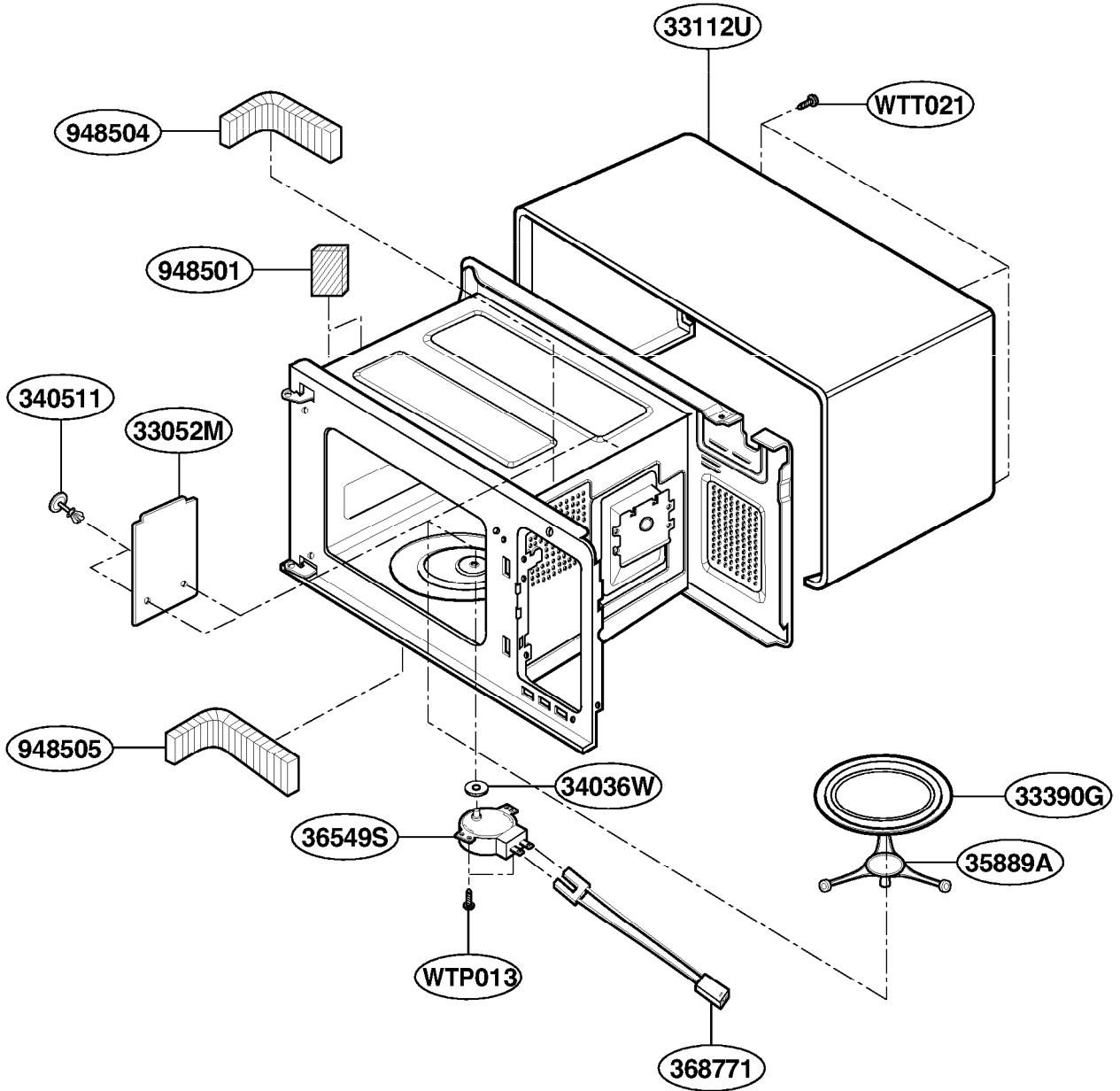
# DOOR PARTS



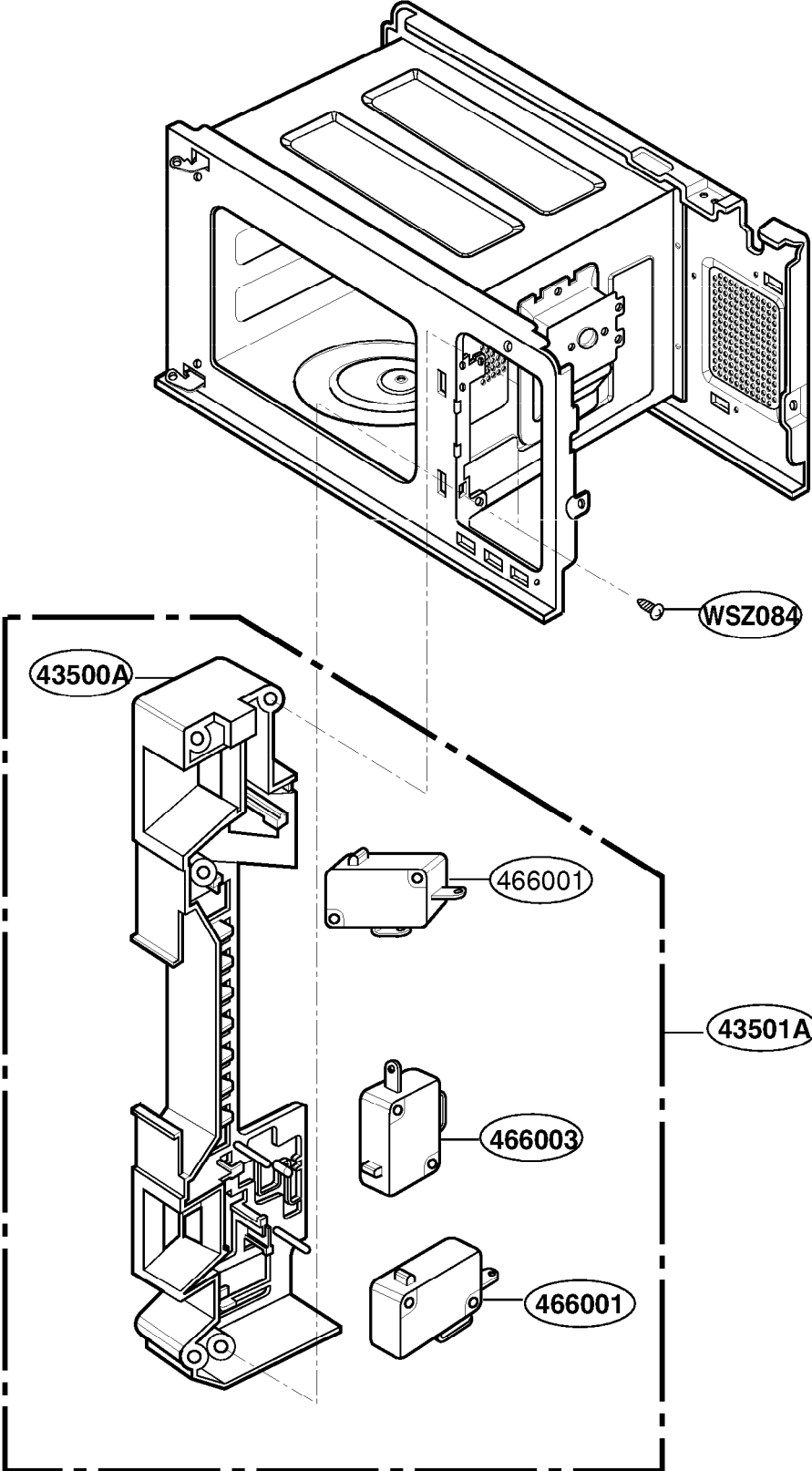
# CONTROL PANEL PARTS



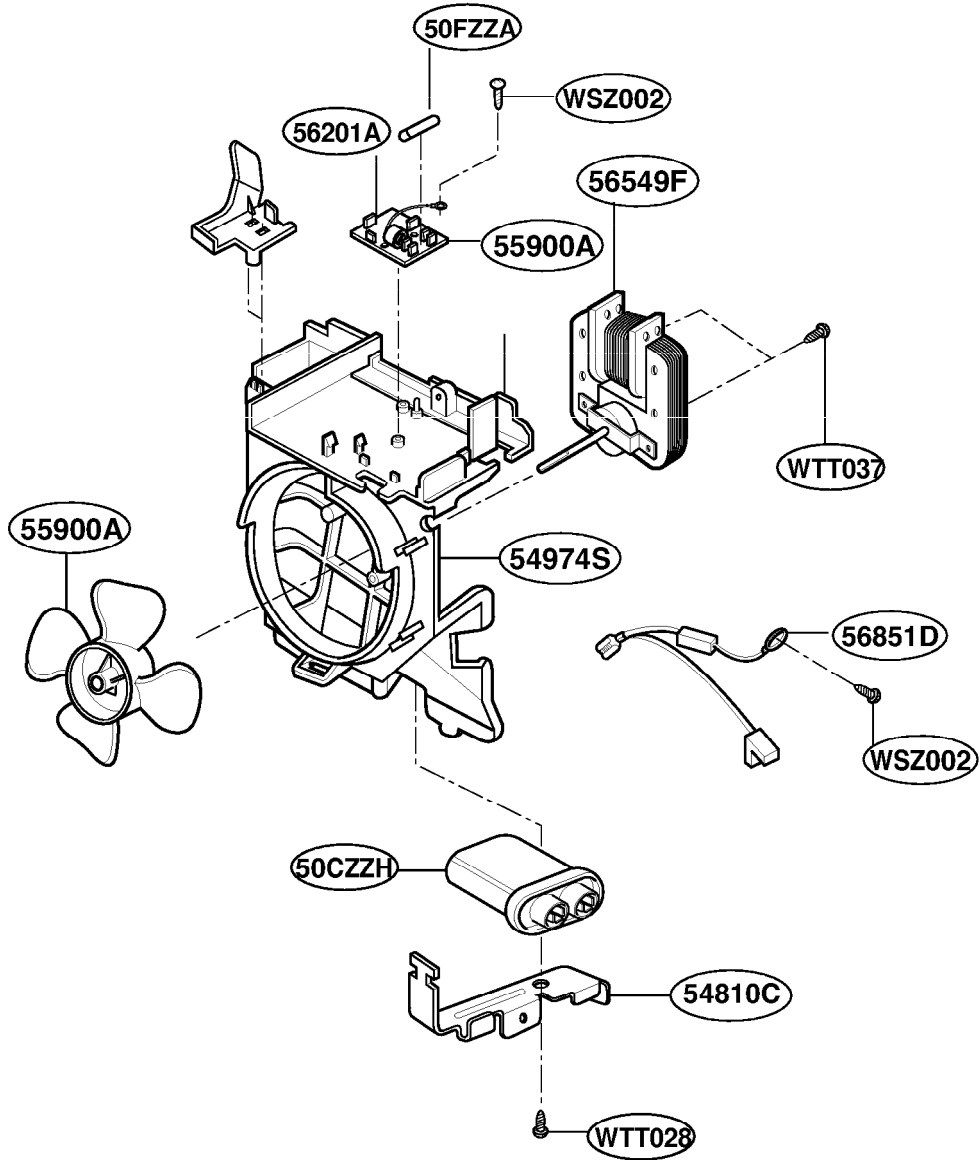
# OVEN CAVITY PARTS



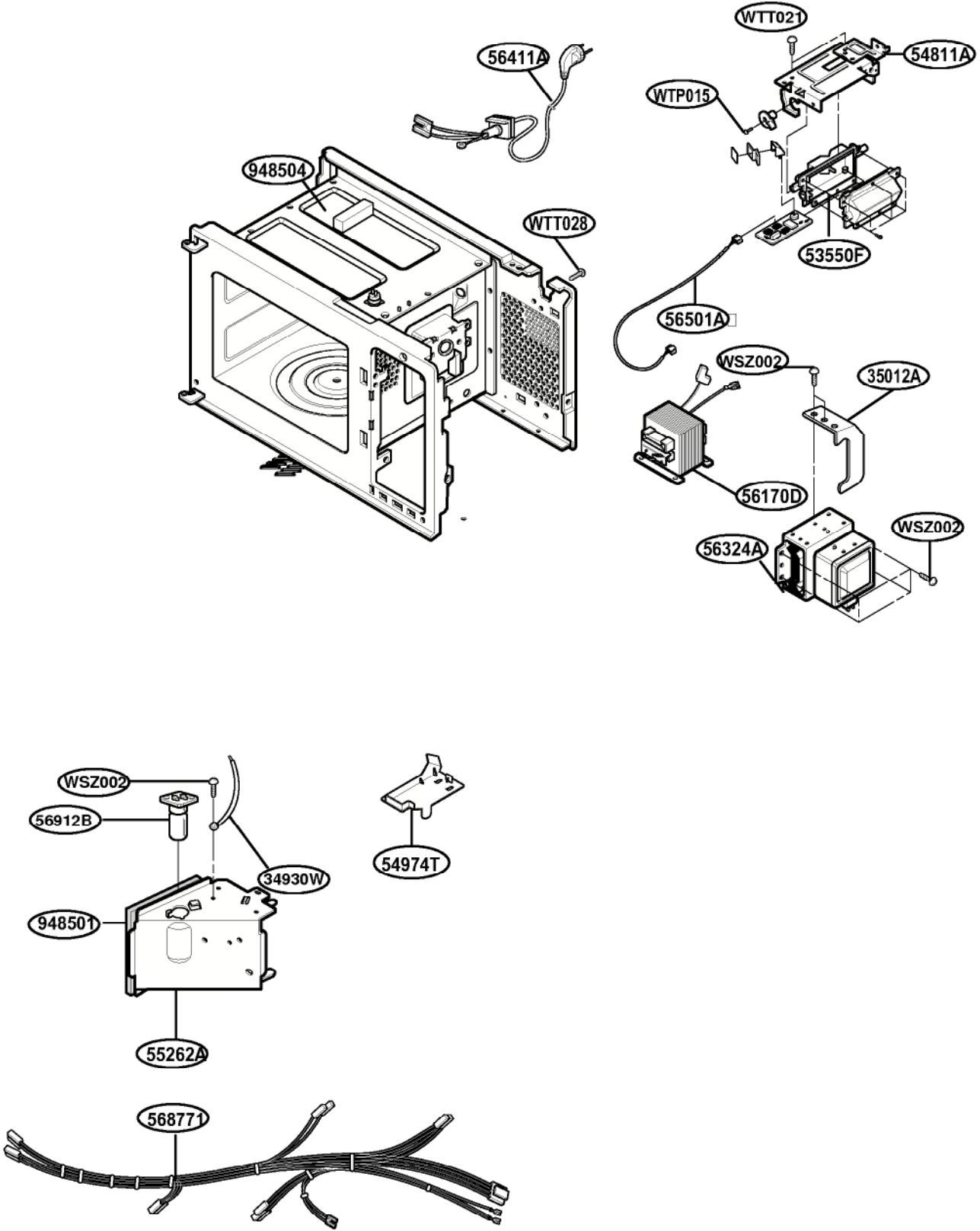
# LARCH BOARD PARTS



# SUCTION GUIDE PARTS



# INTERIOR PARTS



# BASE PLATE PARTS

