

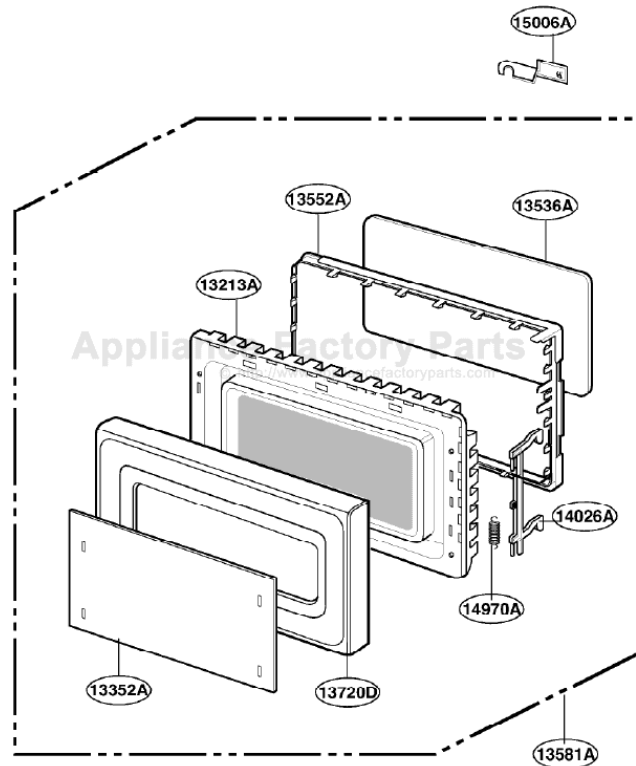
This Owner's Manual is provided and hosted by Appliance Factory Parts.



KITCHENAID YKCMS135GWH Owner's Manual

[Shop genuine replacement parts for KITCHENAID
YKCMS135GWH](#)

DOOR PARTS

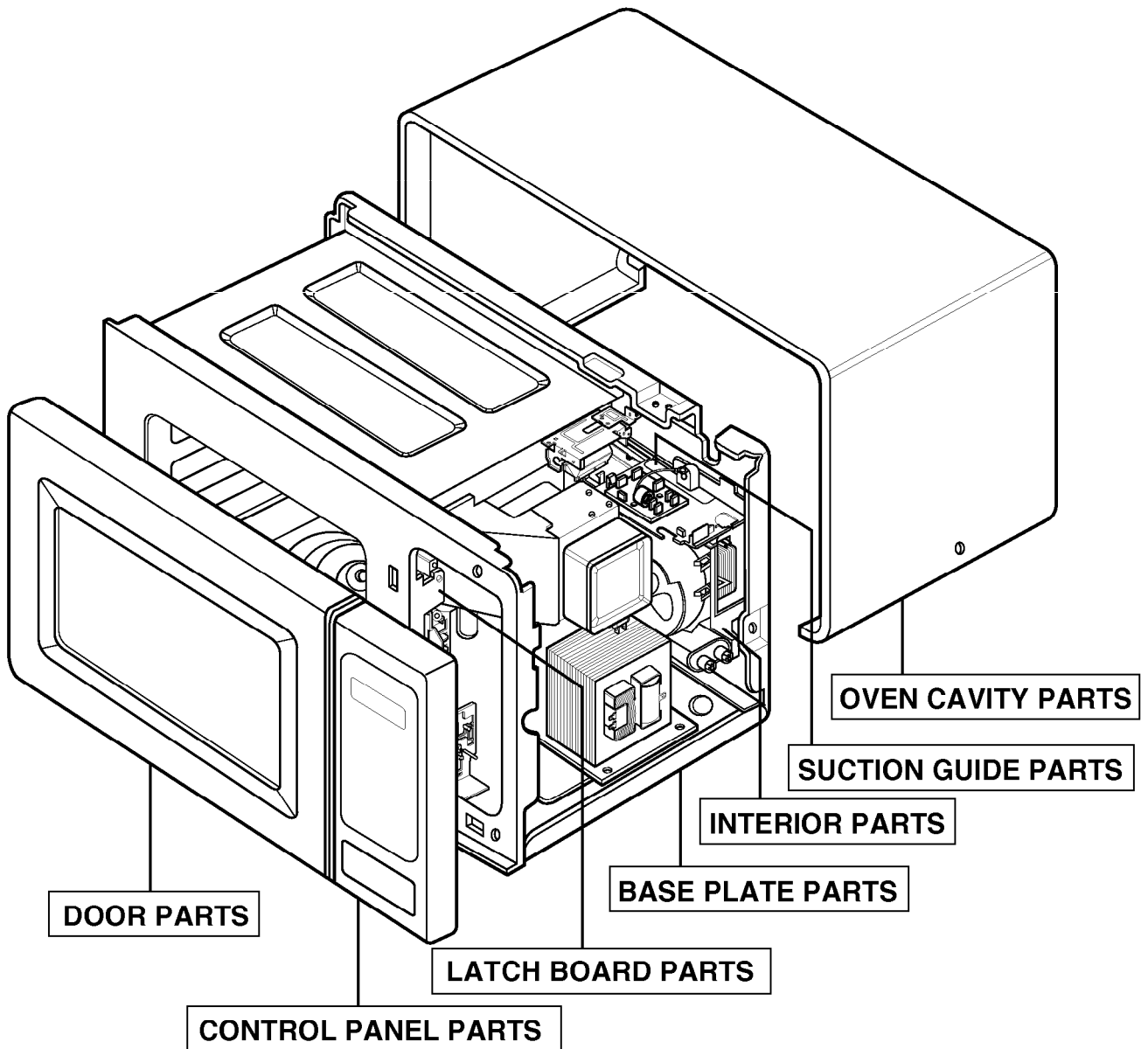


[Find Your KITCHENAID Microwave Parts - Select From 105 Models](#)

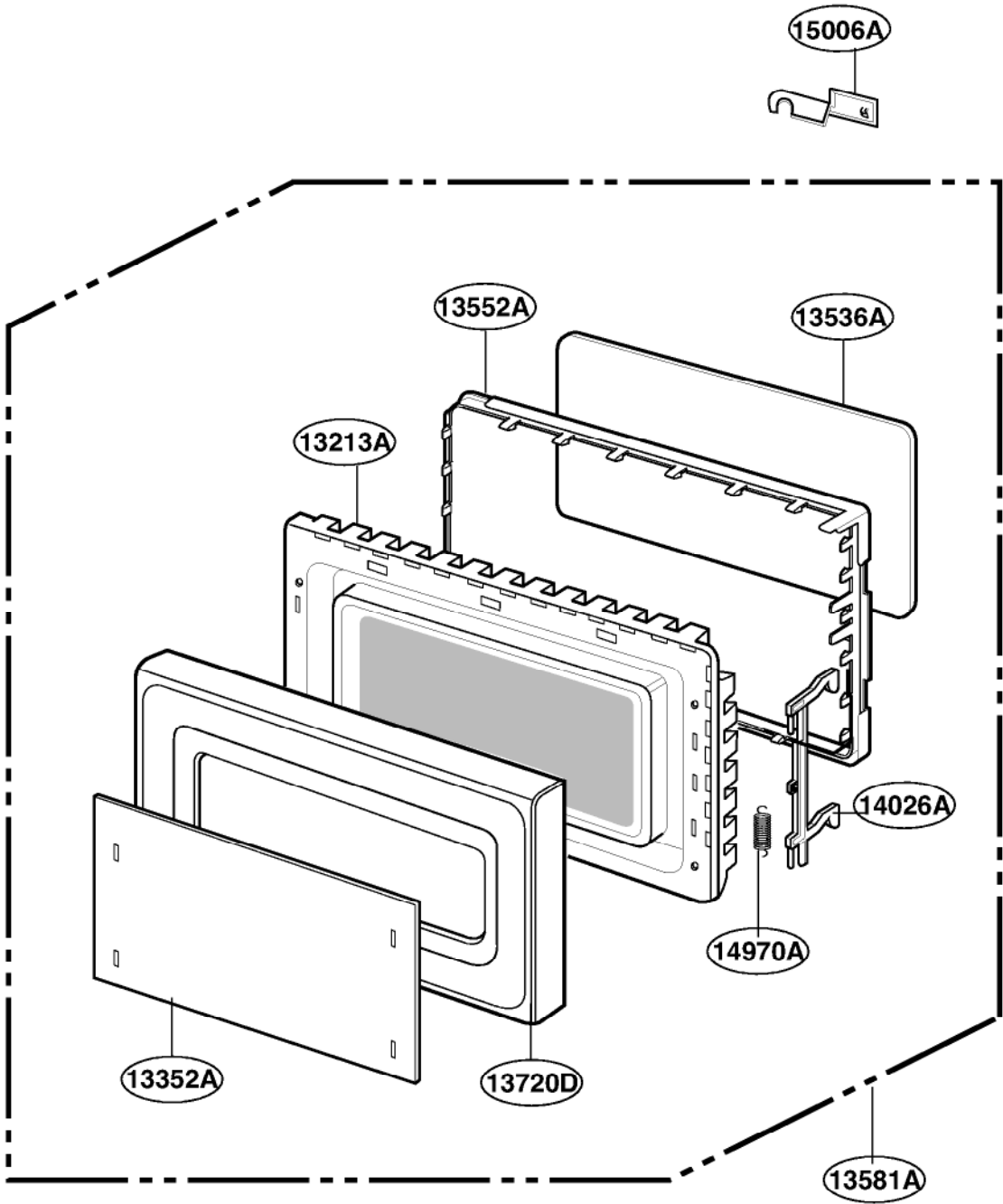
----- Manual continues below -----

EXPLODED VIEW

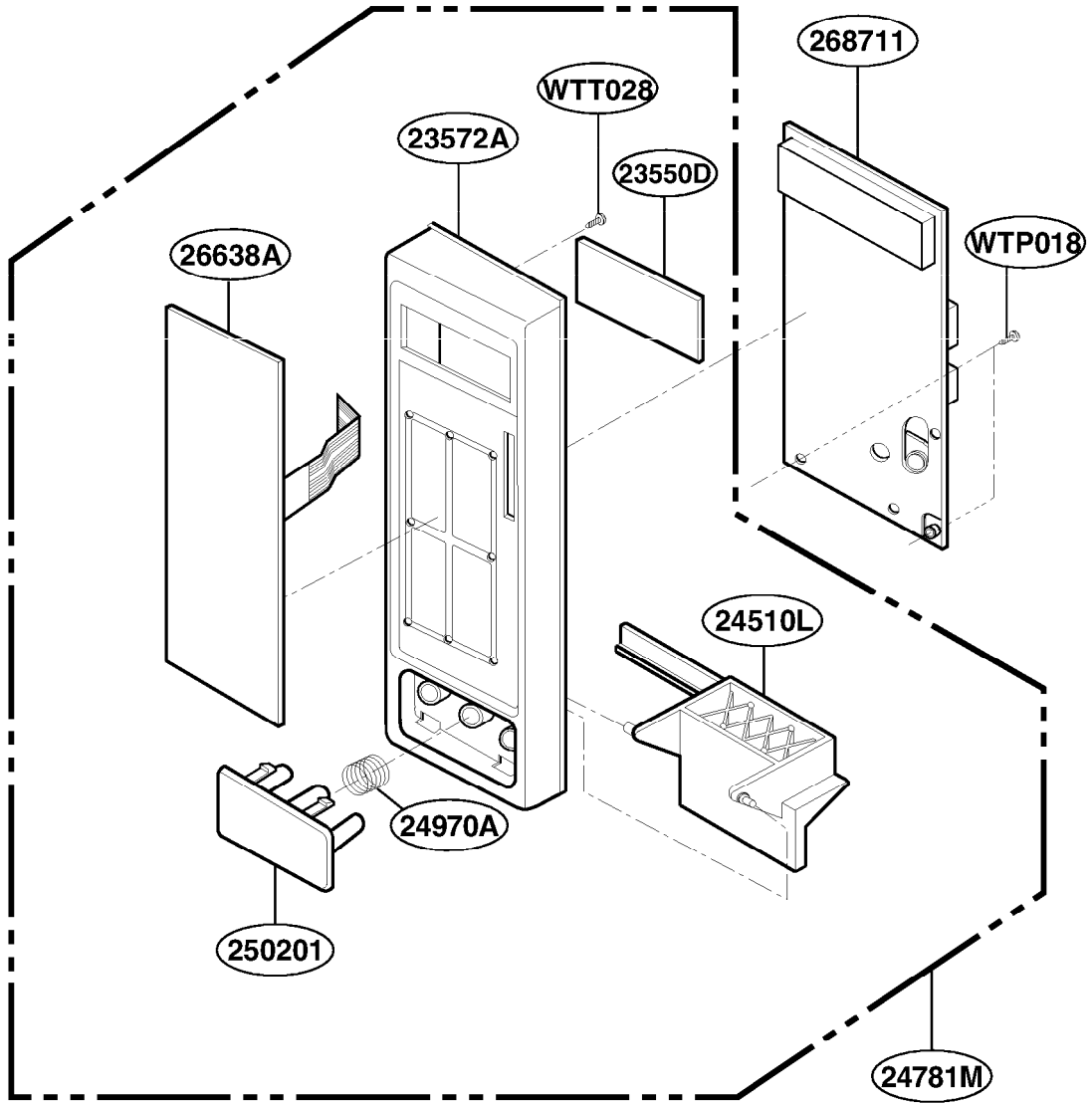
INTRODUCTION



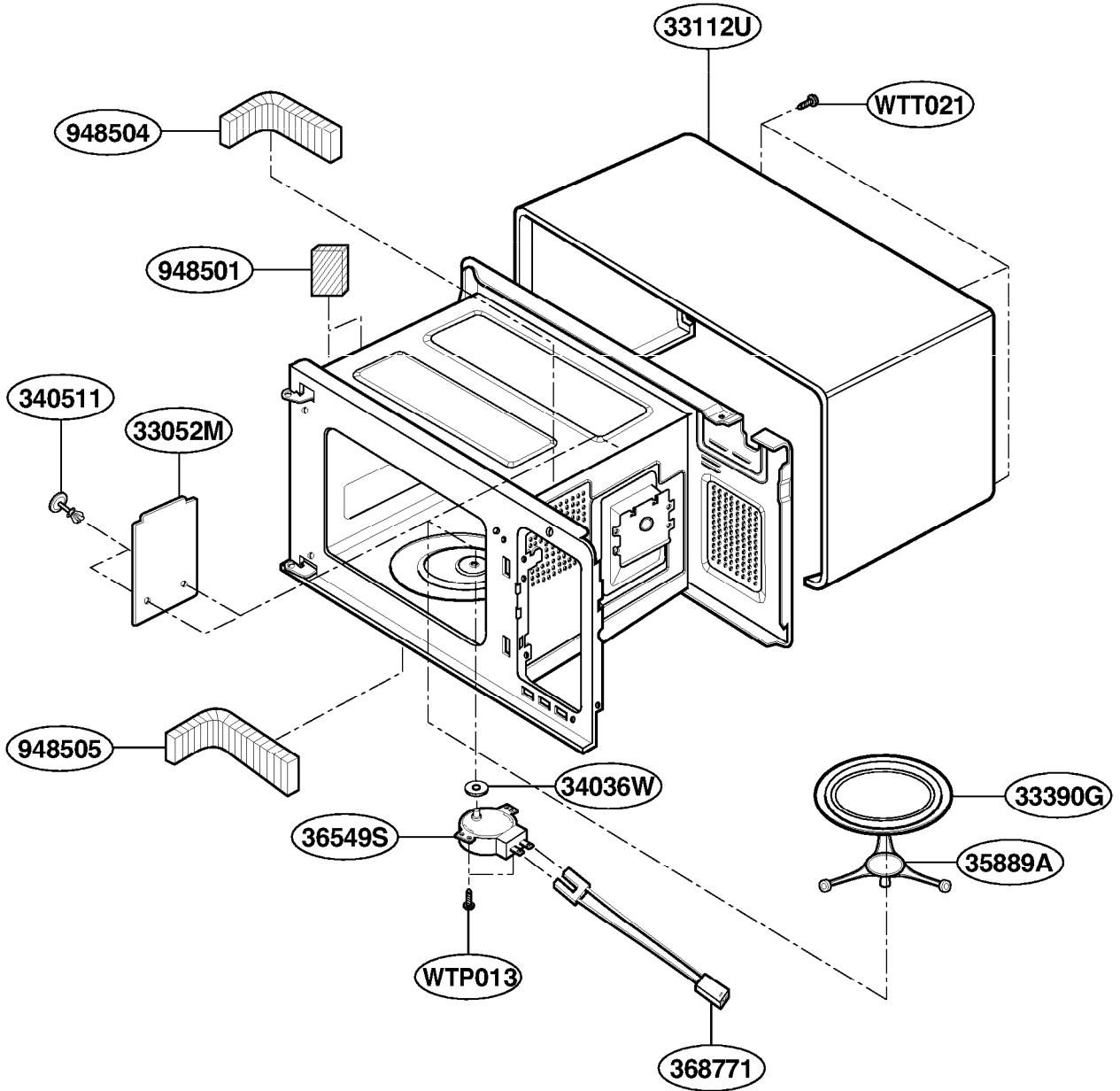
DOOR PARTS



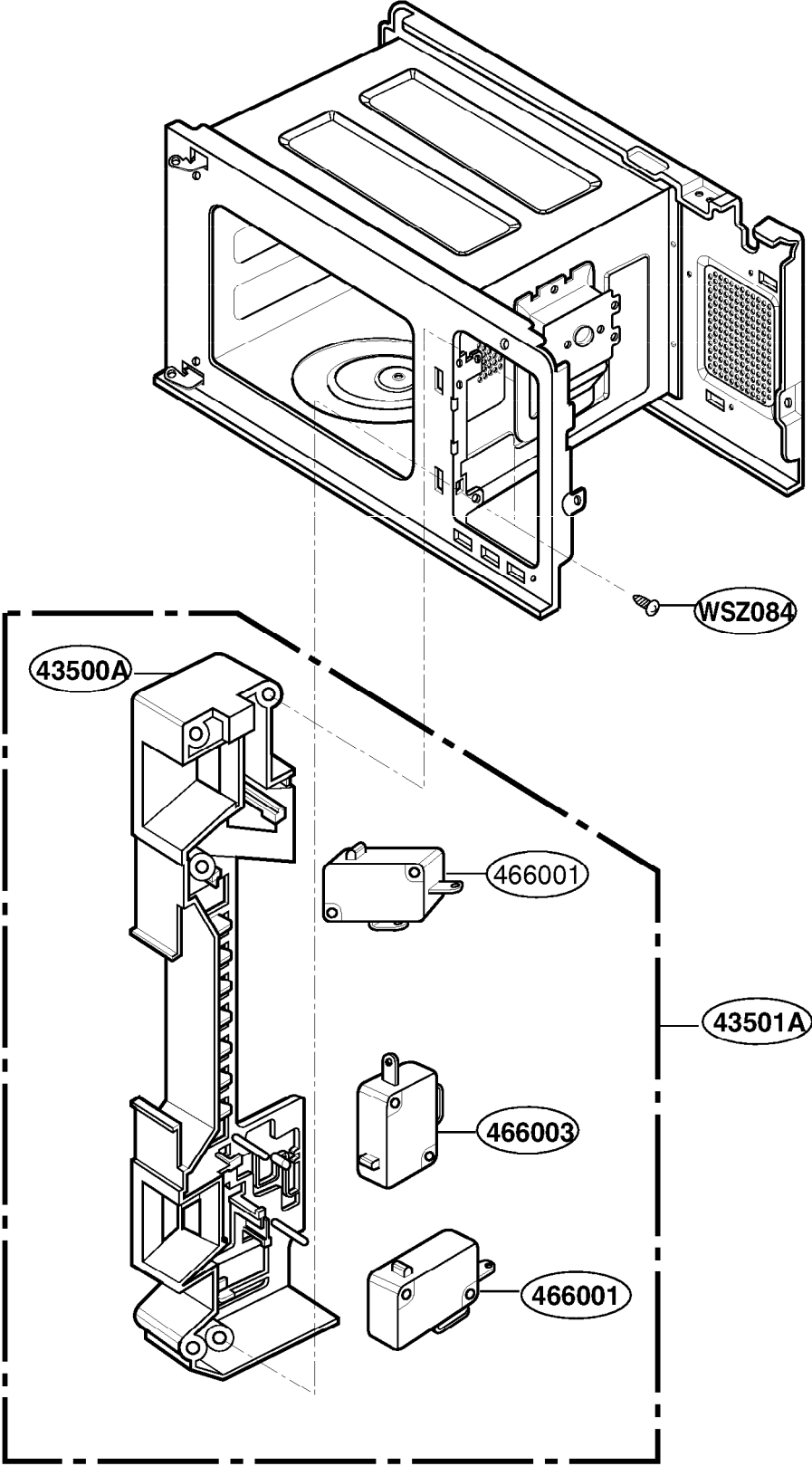
CONTROL PANEL PARTS



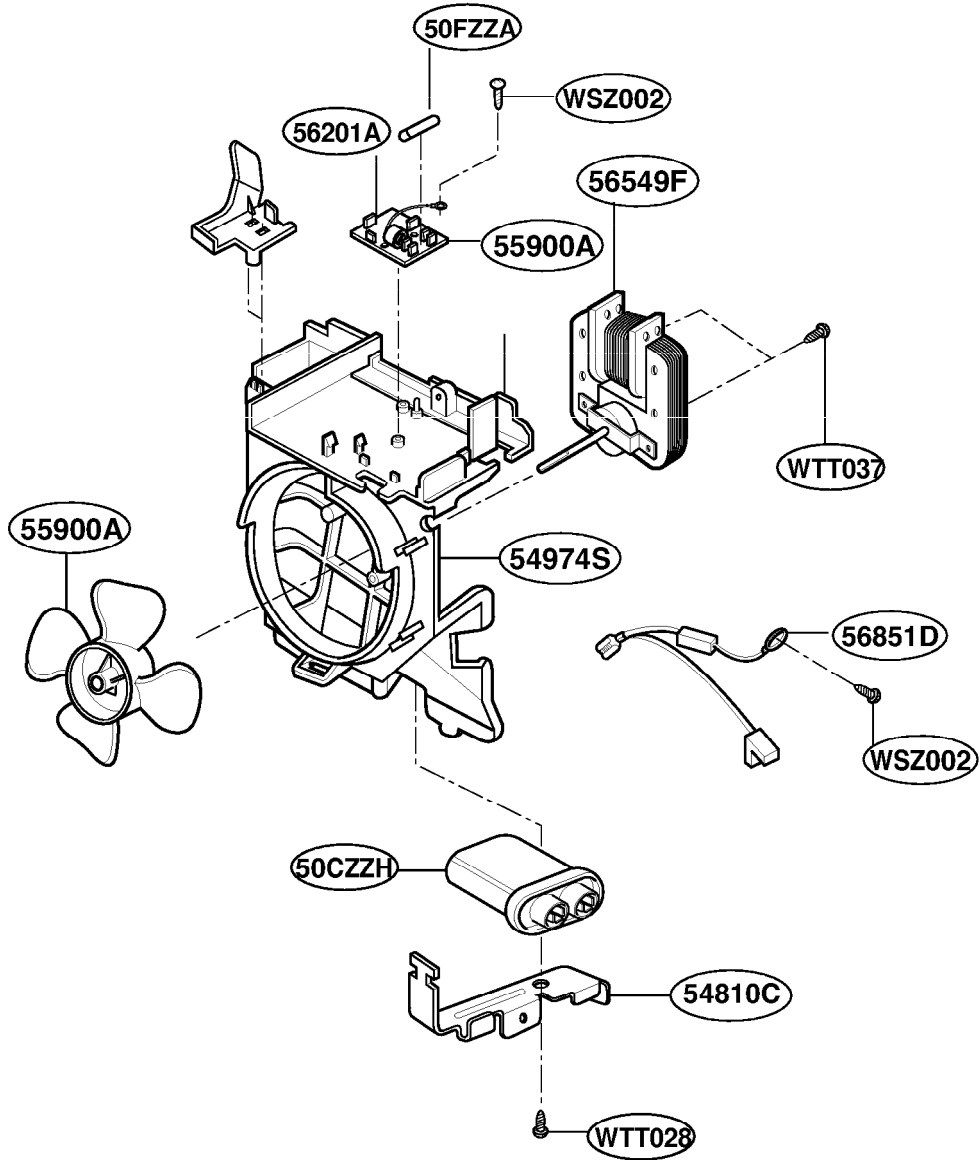
OVEN CAVITY PARTS



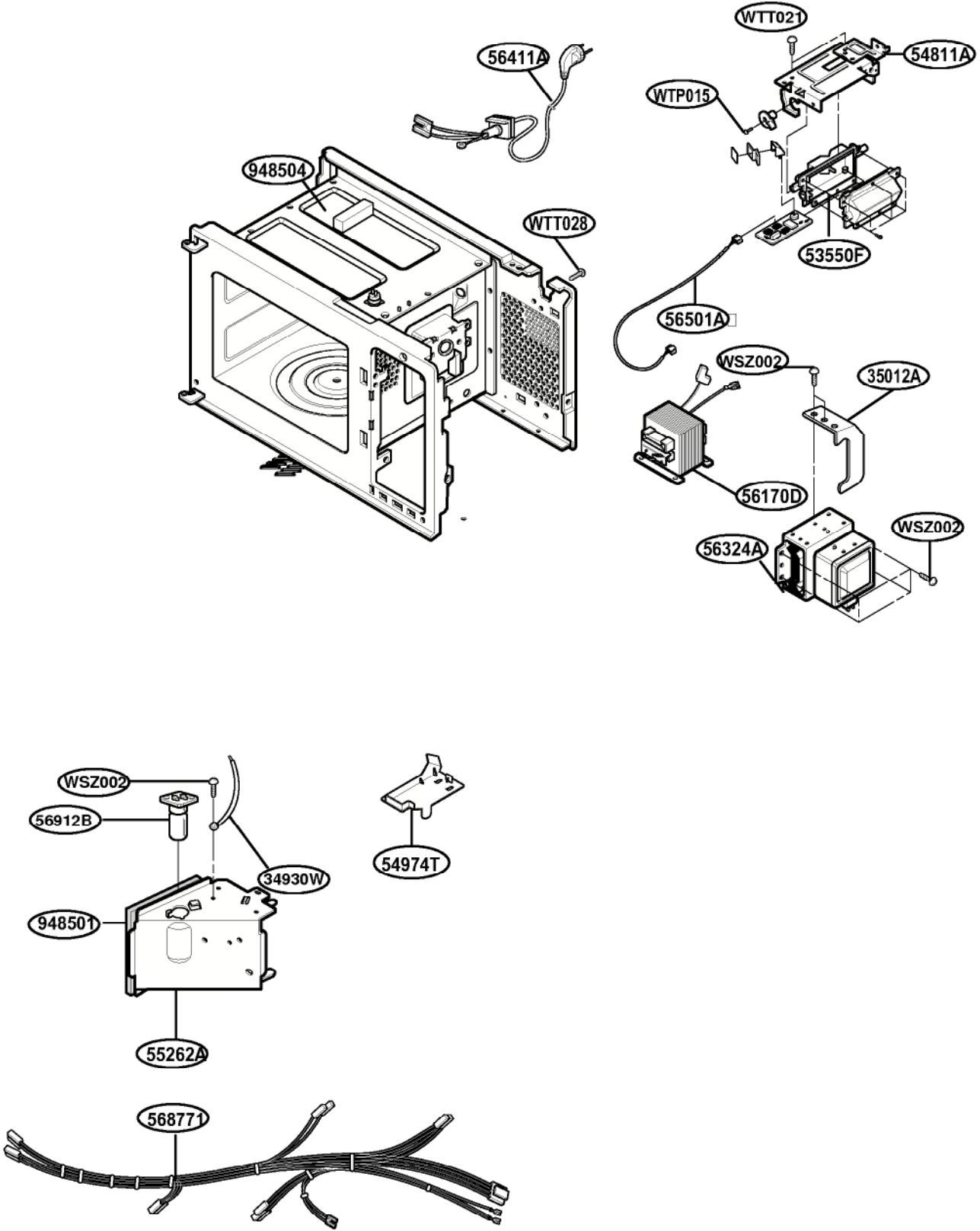
LARCH BOARD PARTS



SUCTION GUIDE PARTS



INTERIOR PARTS



BASE PLATE PARTS

