

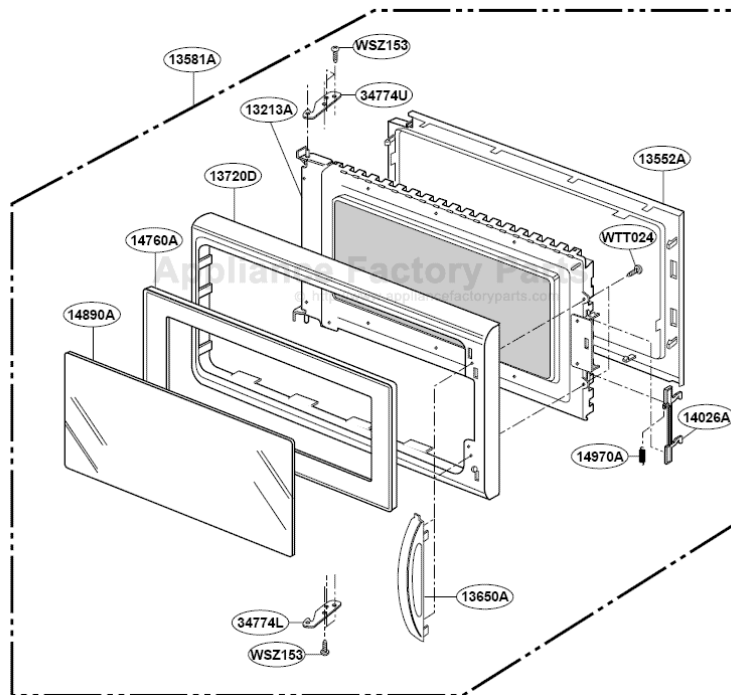
This Owner's Manual is provided and hosted by Appliance Factory Parts.



KITCHENAID YKHMC107EBT-0 Owner's Manual

[Shop genuine replacement parts for KITCHENAID
YKHMC107EBT-0](#)

DOOR PARTS

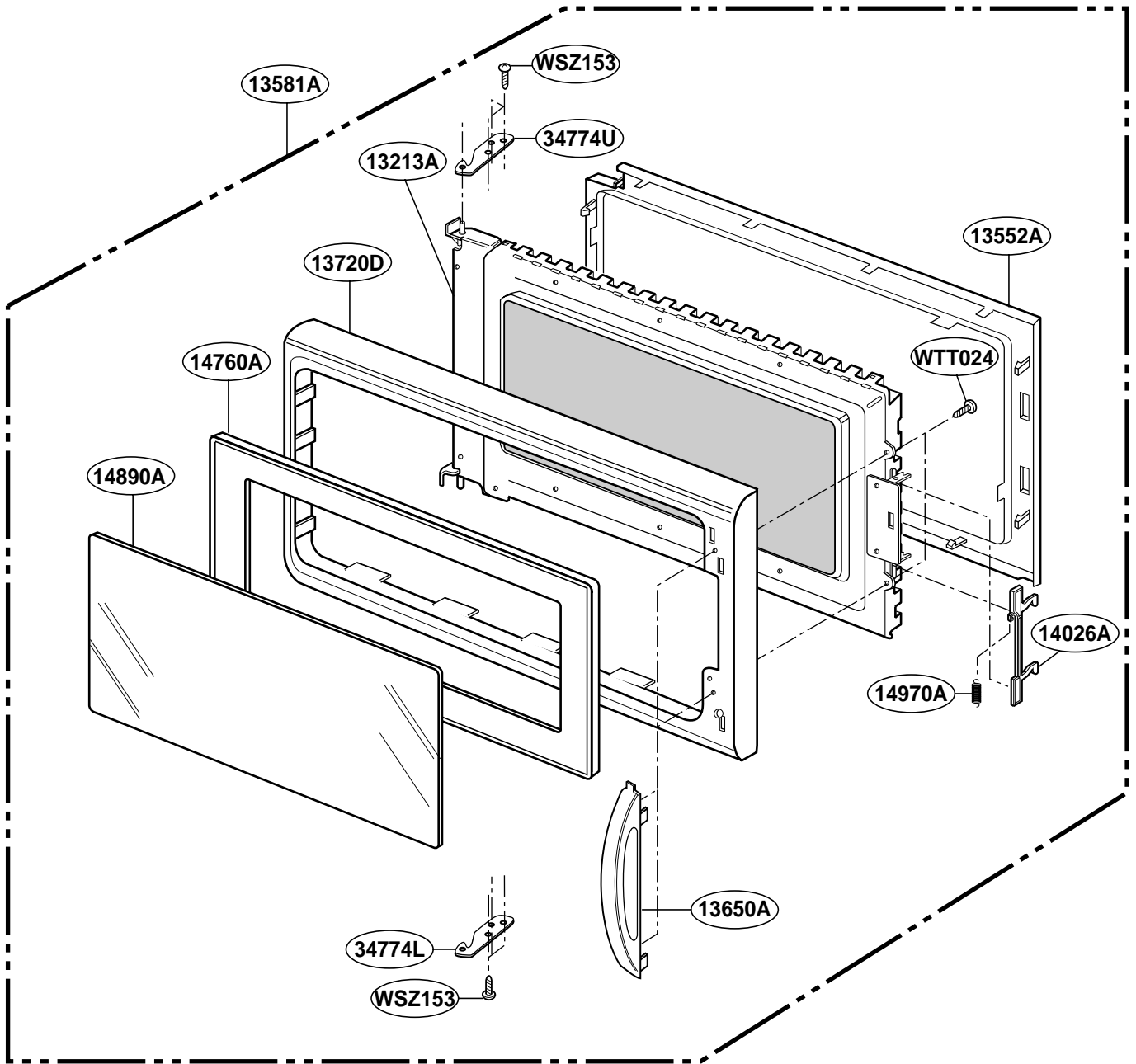


[Find Your KITCHENAID Microwave Parts - Select From 105 Models](#)

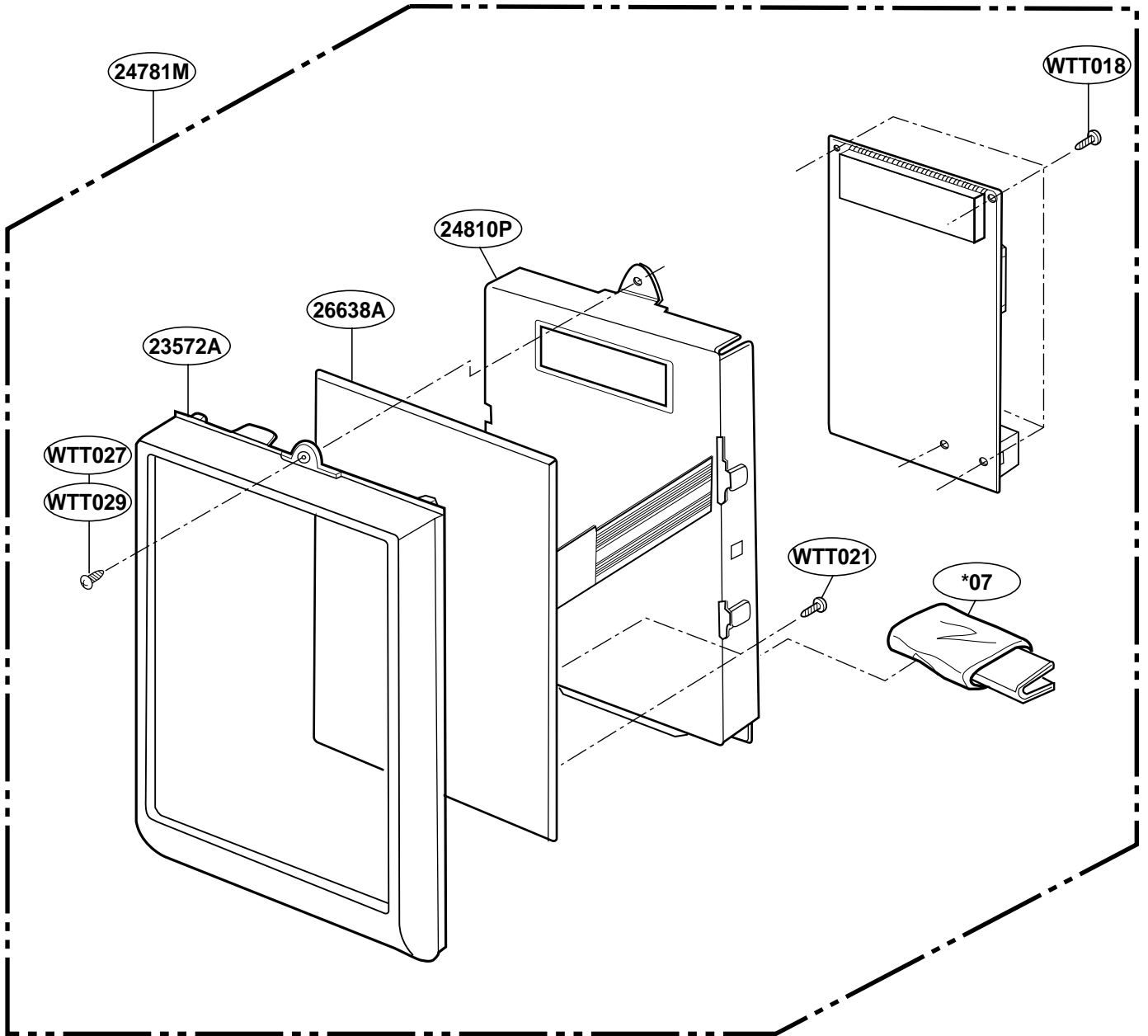
----- Manual continues below -----

EXPLODED VIEW

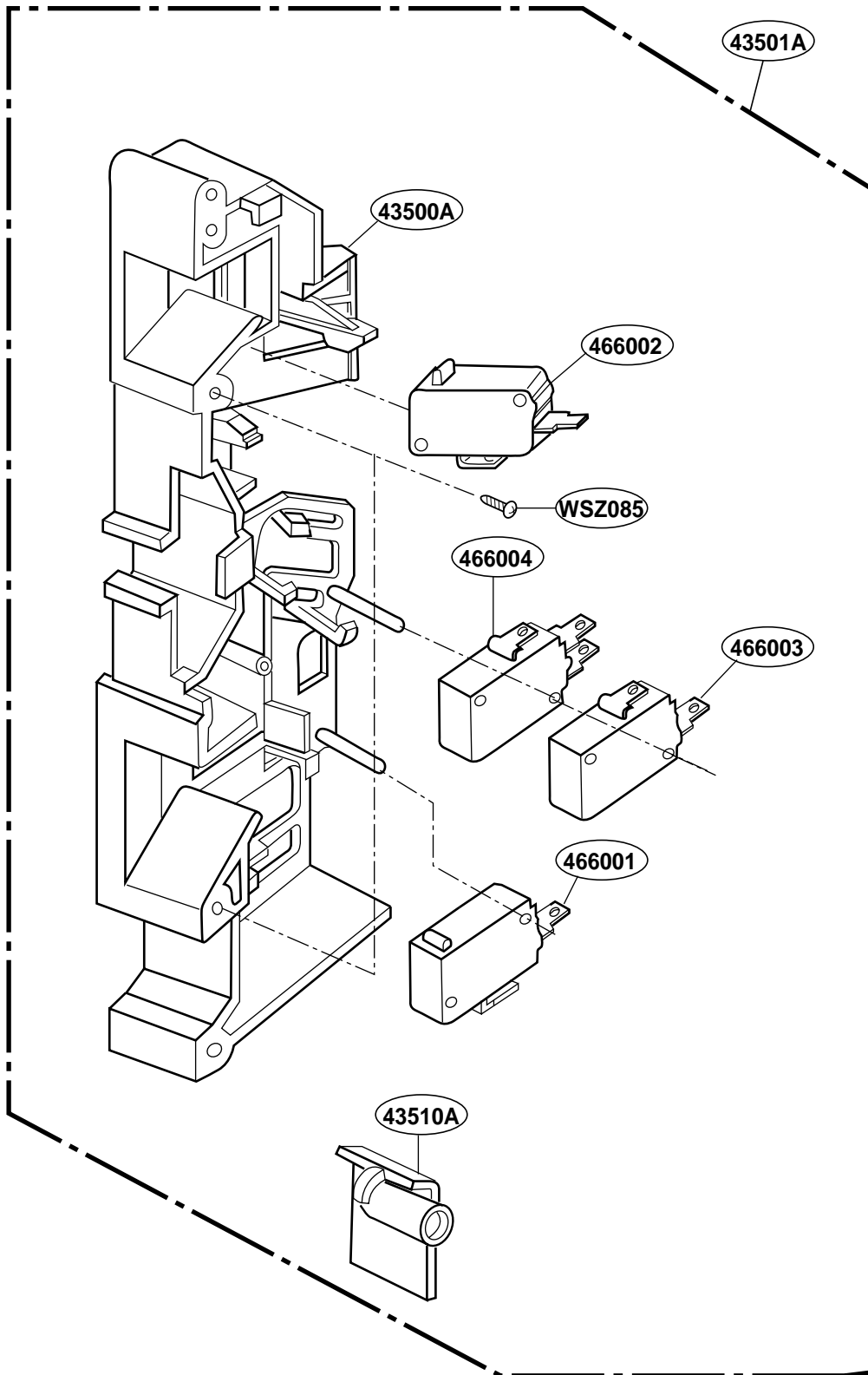
DOOR PARTS



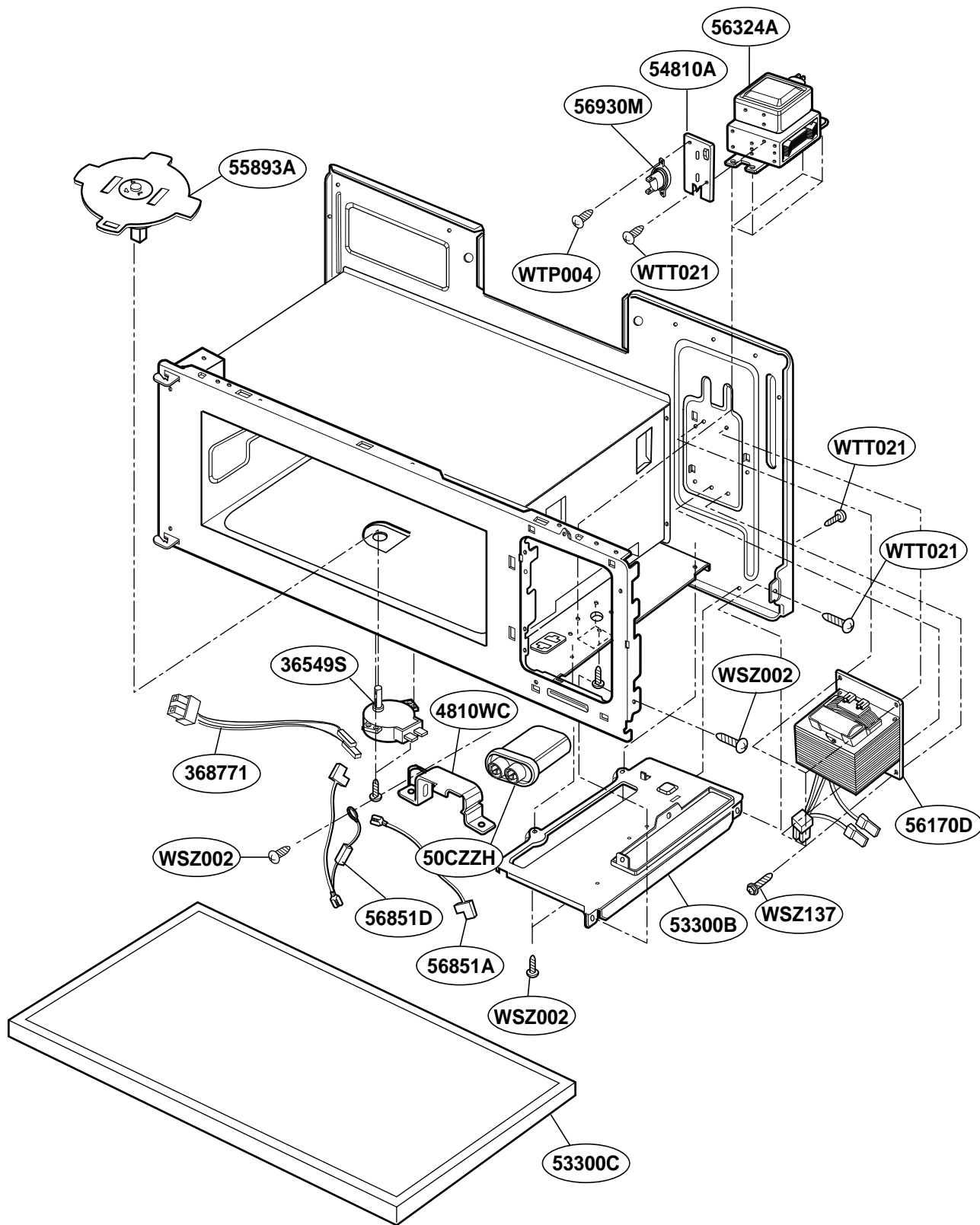
CONTROLLER PARTS



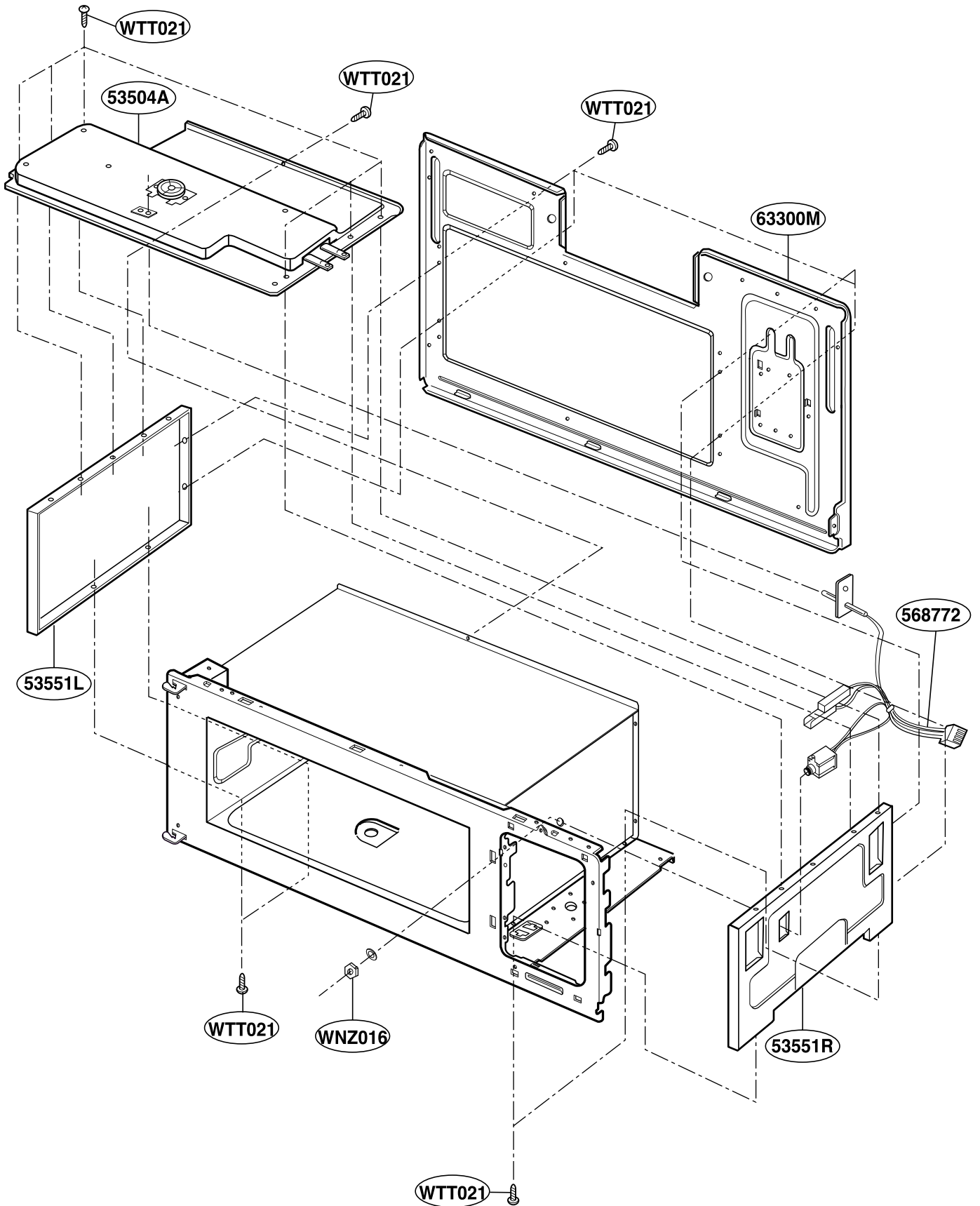
LATCH BOARD PARTS



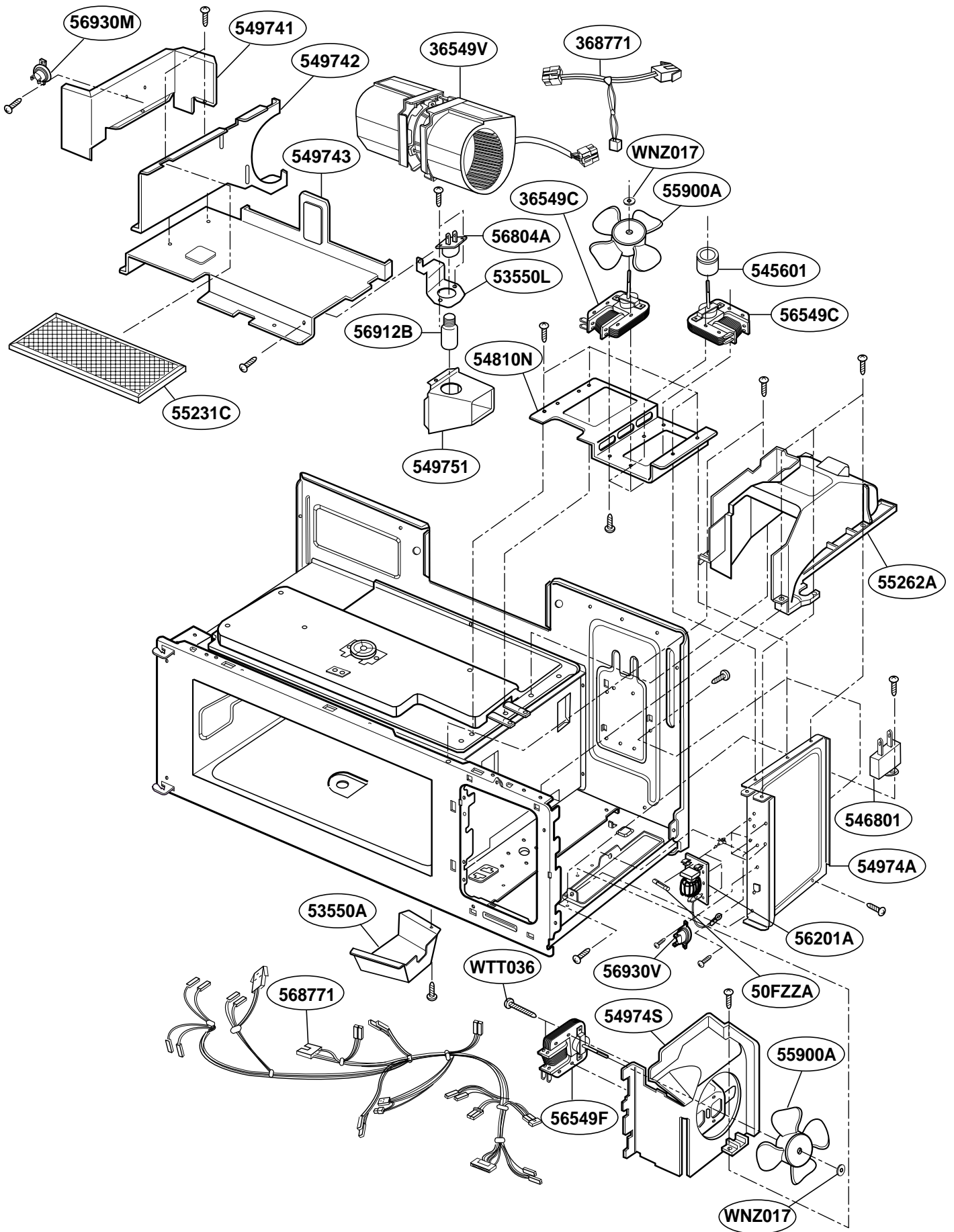
INTERIOR PARTS (I)



INTERIOR PARTS (II)



INTERIOR PARTS (III)



INSTALLATION PARTS

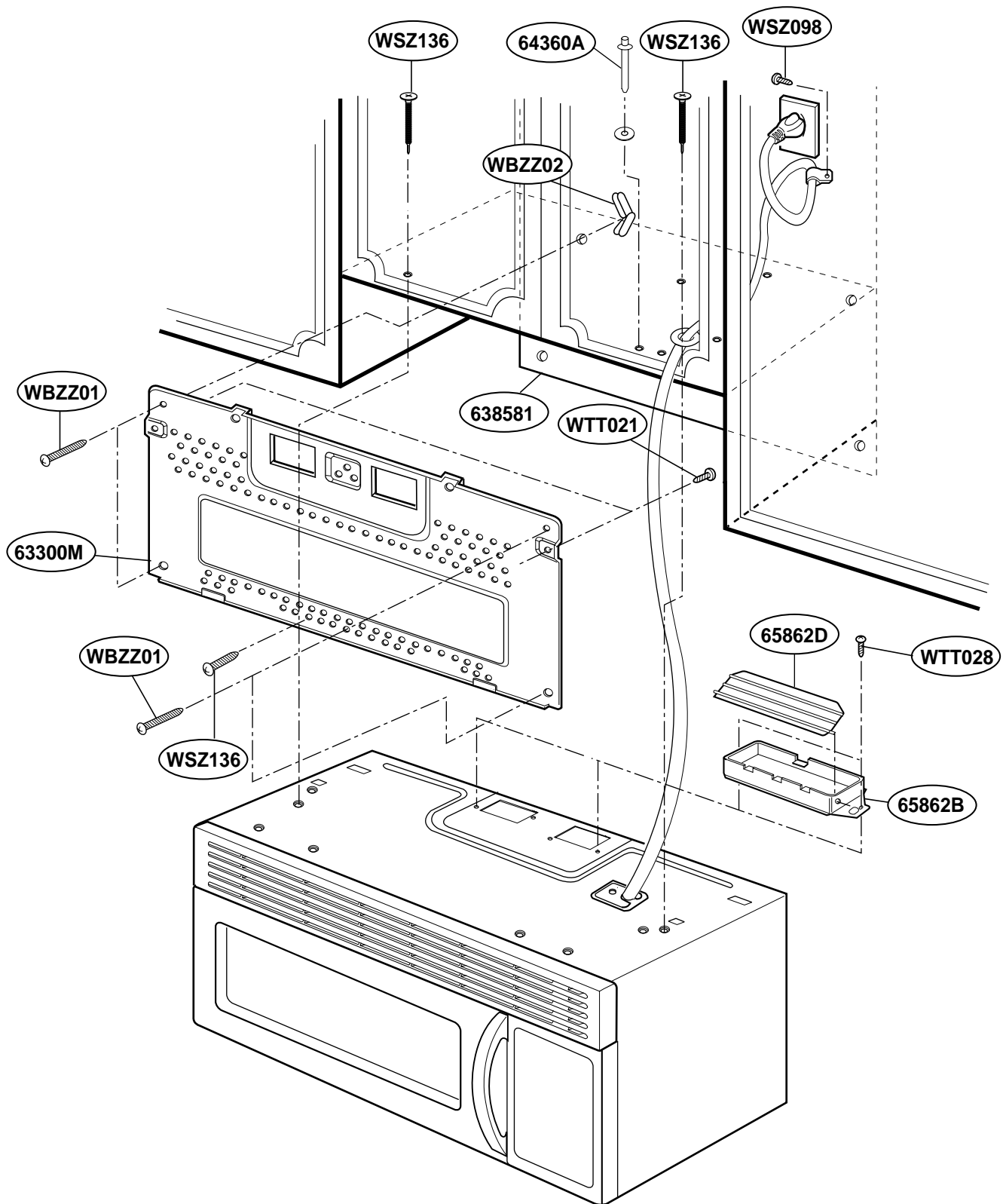


PLATE CHAMBER ASSY PARTS

