

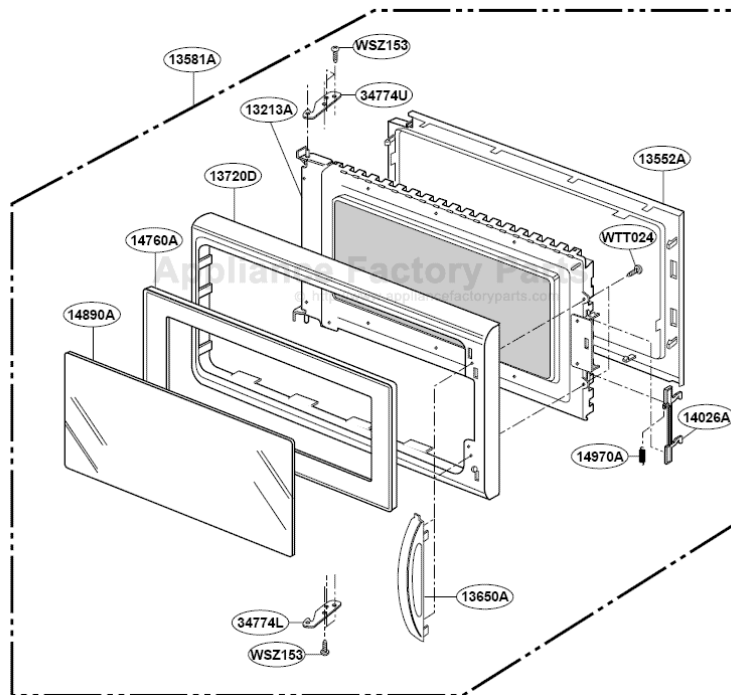
This Owner's Manual is provided and hosted by [Appliance Factory Parts](#).



KITCHENAID YKHMC107EBT-2 Owner's Manual

[Shop genuine replacement parts for KITCHENAID
YKHMC107EBT-2](#)

DOOR PARTS

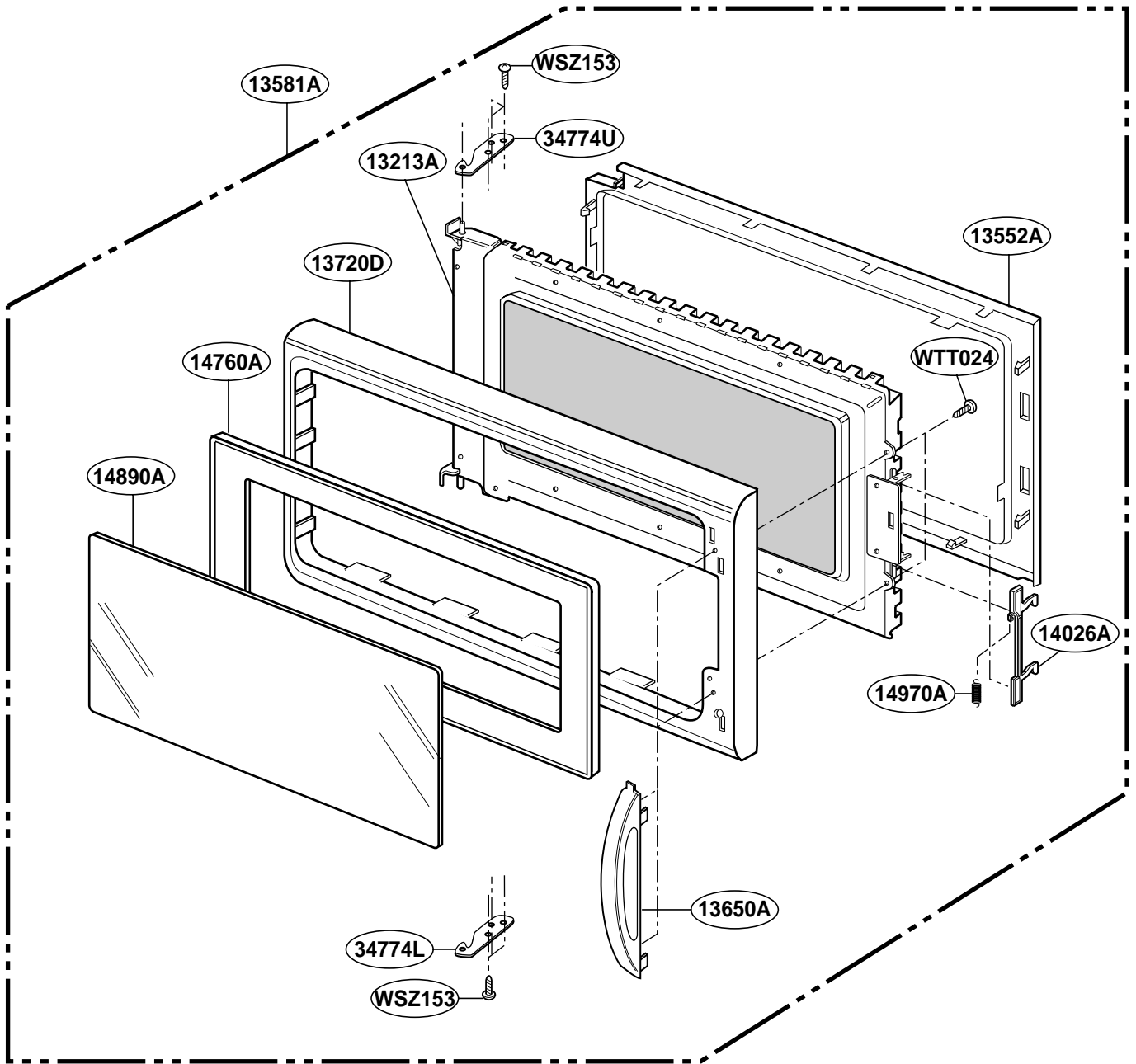


[Find Your KITCHENAID Microwave Parts - Select From 105 Models](#)

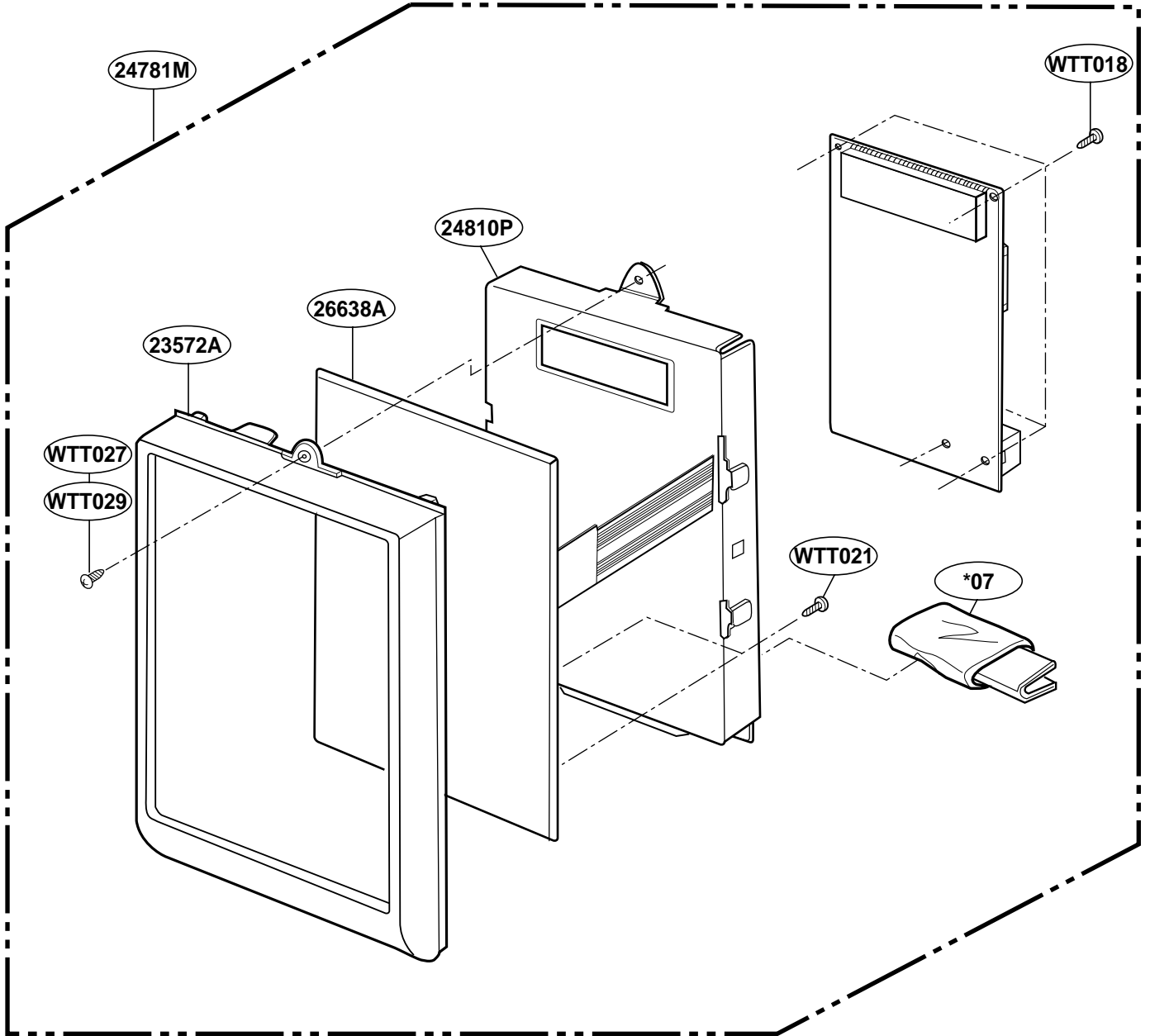
----- Manual continues below -----

EXPLODED VIEW

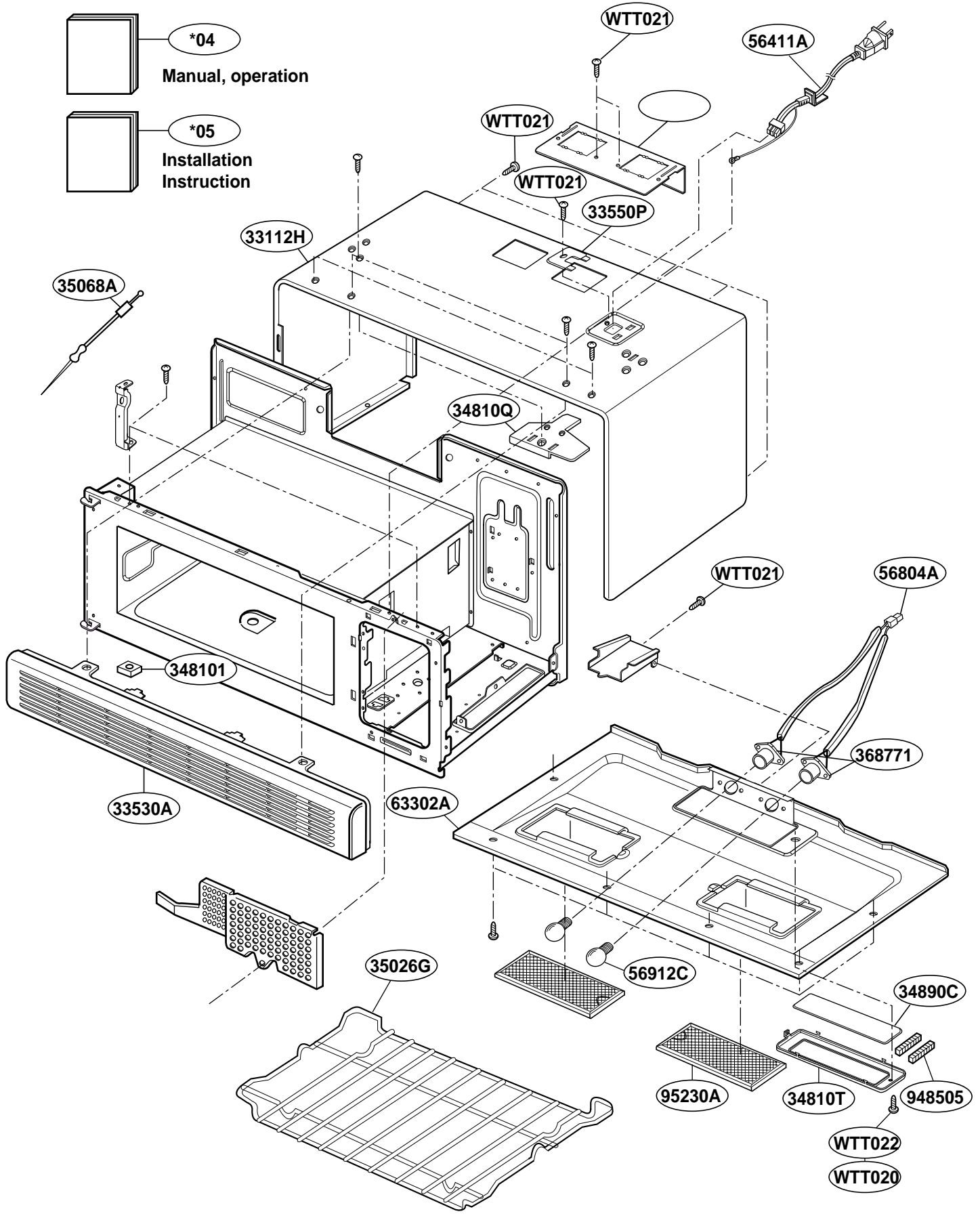
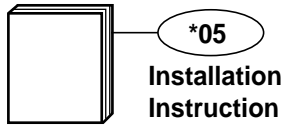
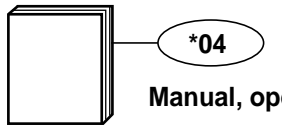
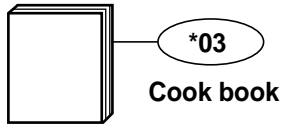
DOOR PARTS



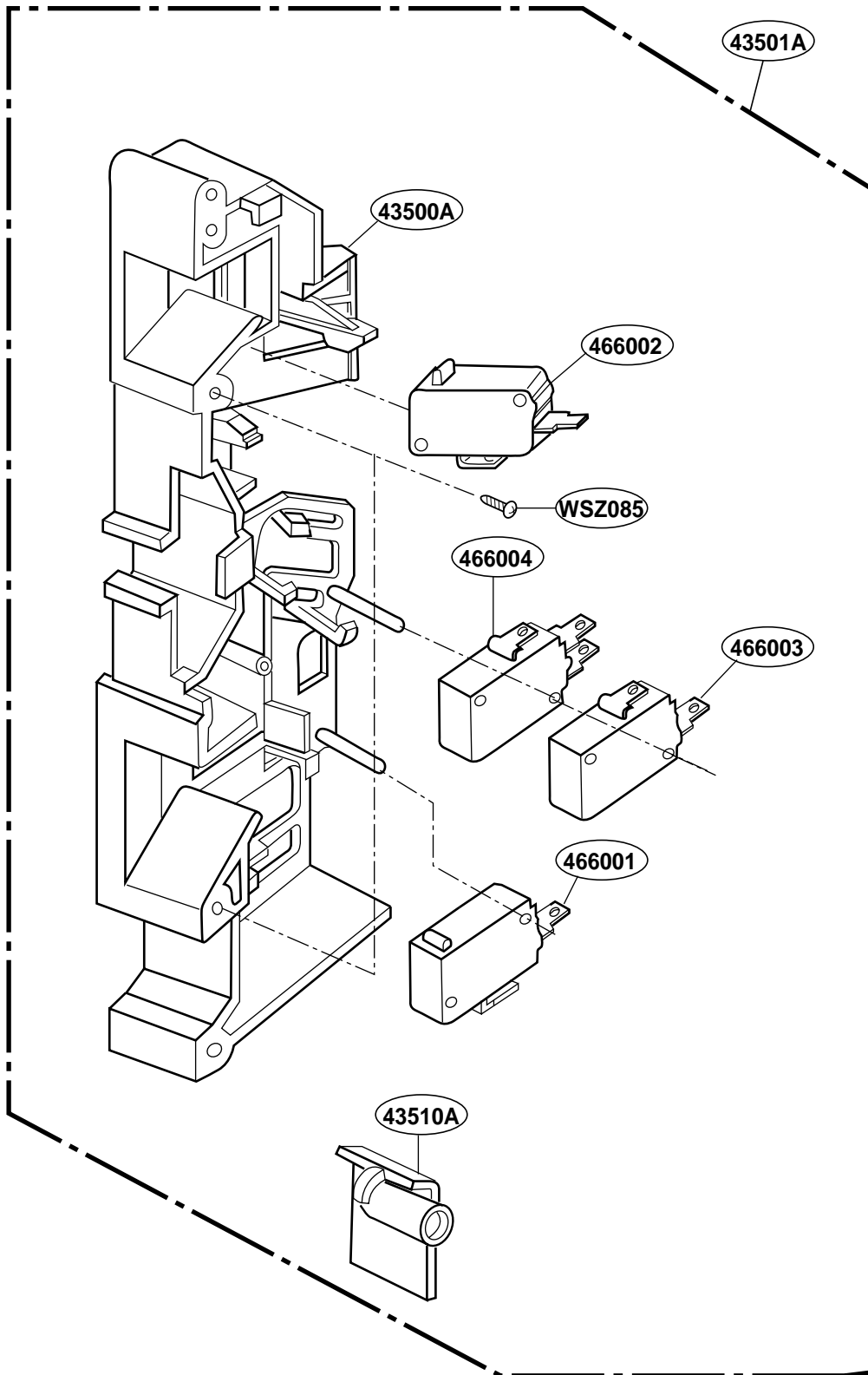
CONTROLLER PARTS



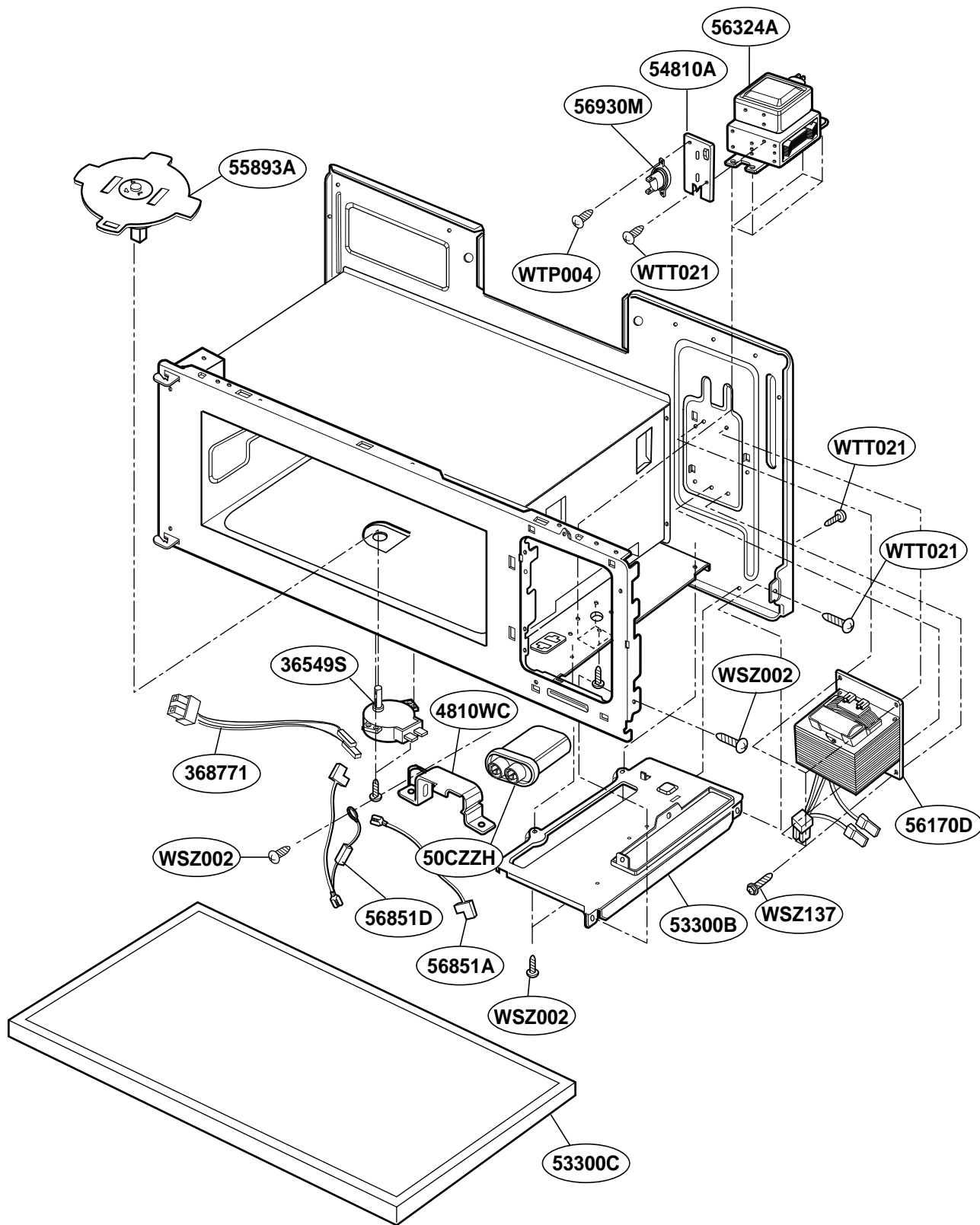
OVEN CAVITY PARTS



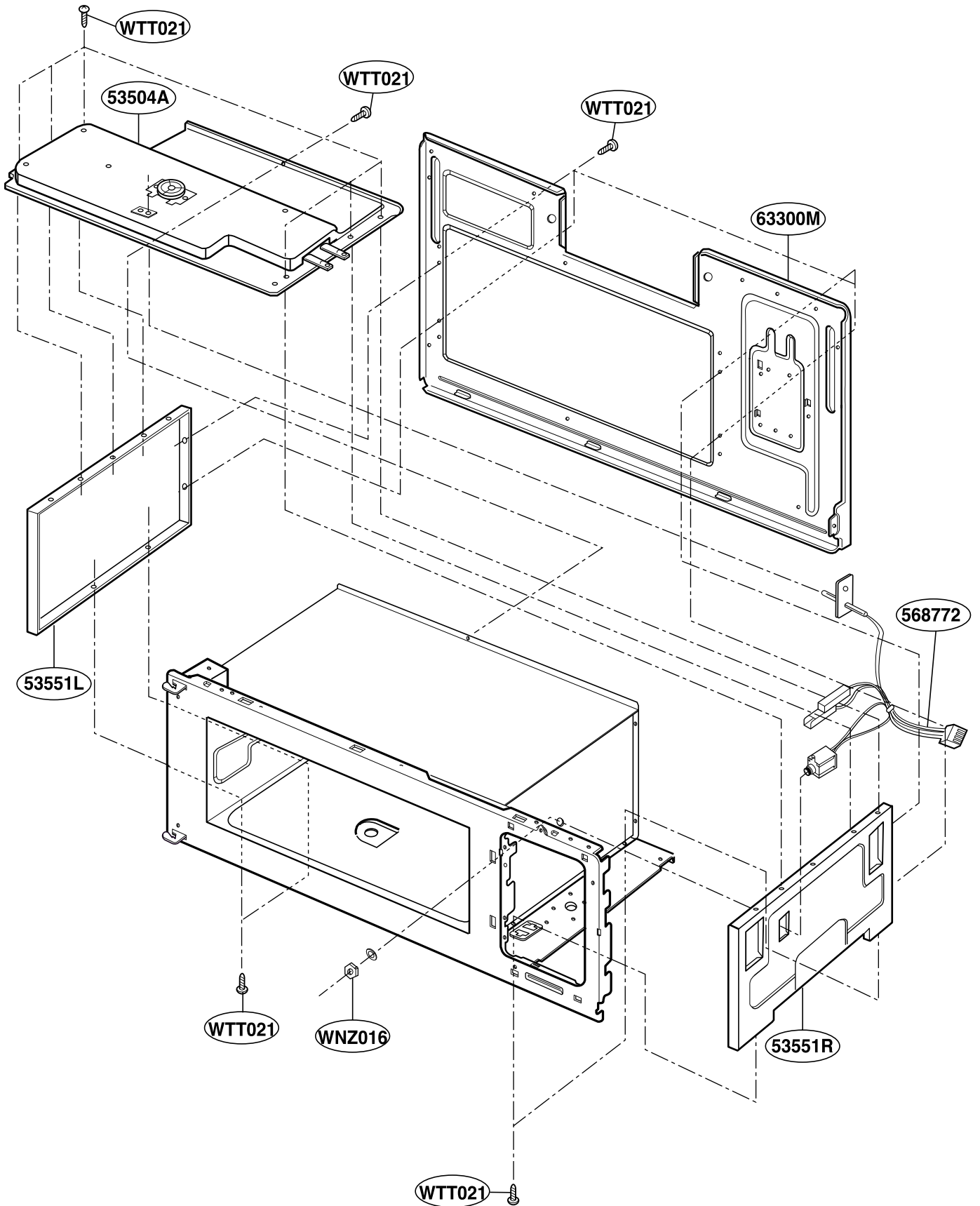
LATCH BOARD PARTS



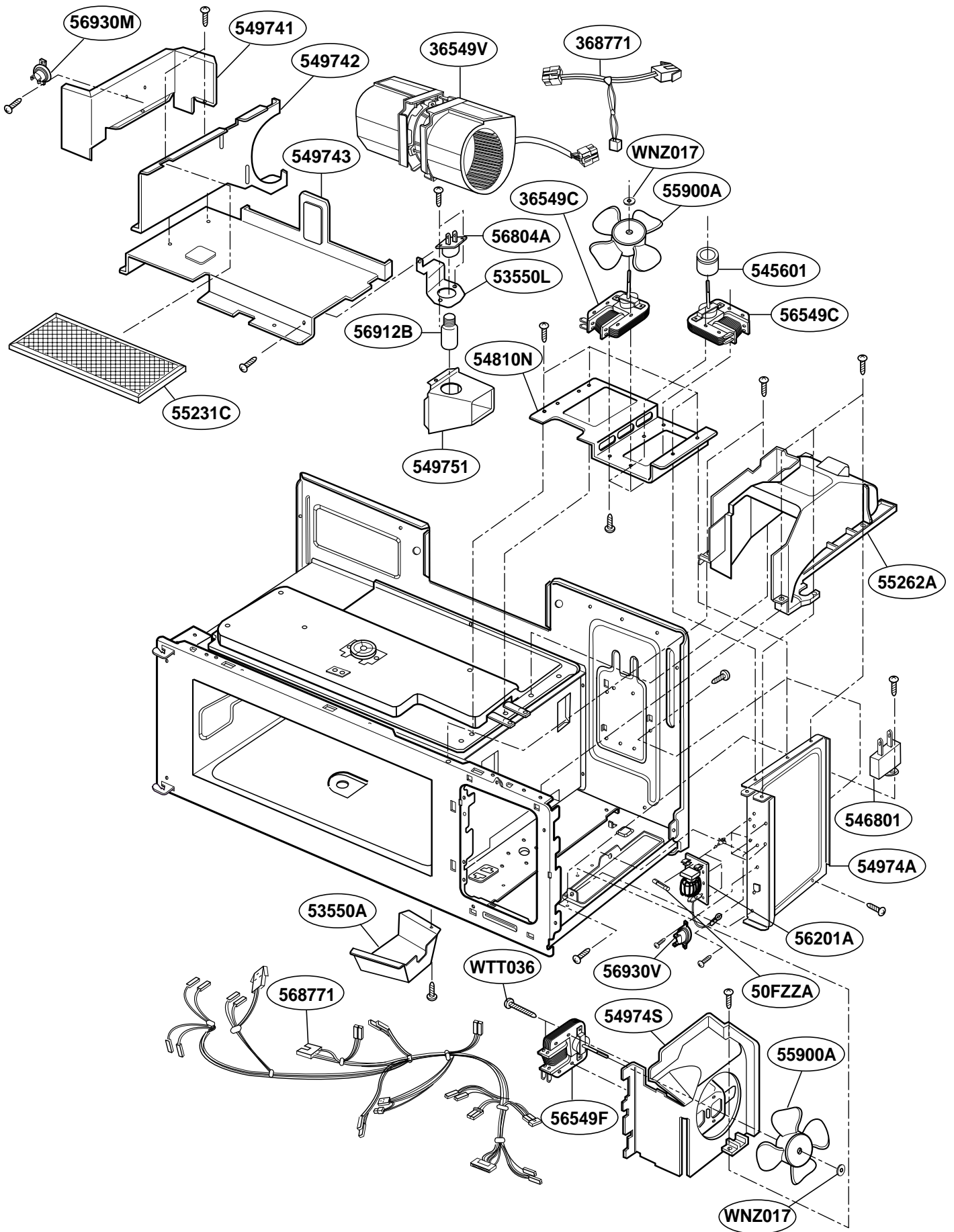
INTERIOR PARTS (I)



INTERIOR PARTS (II)



INTERIOR PARTS (III)



INSTALLATION PARTS

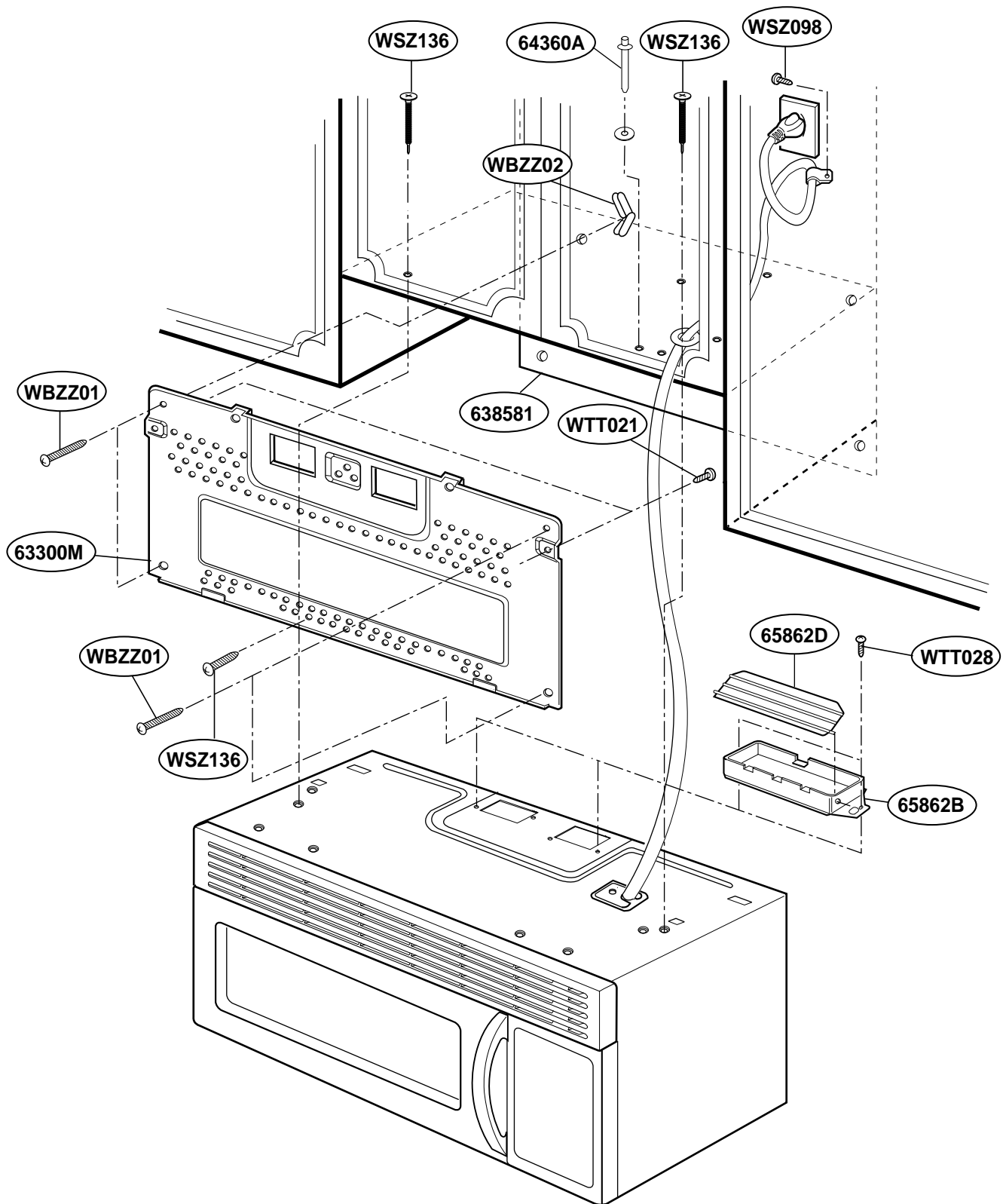


PLATE CHAMBER ASSY PARTS

