

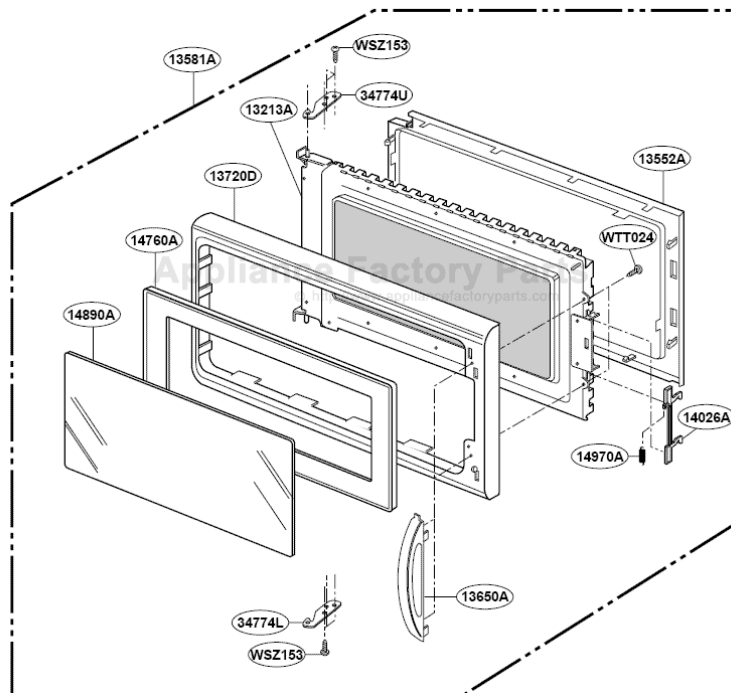
This Owner's Manual is provided and hosted by Appliance Factory Parts.



KITCHENAID YKHMC107EWH-0 Owner's Manual

[Shop genuine replacement parts for KITCHENAID
YKHMC107EWH-0](#)

DOOR PARTS

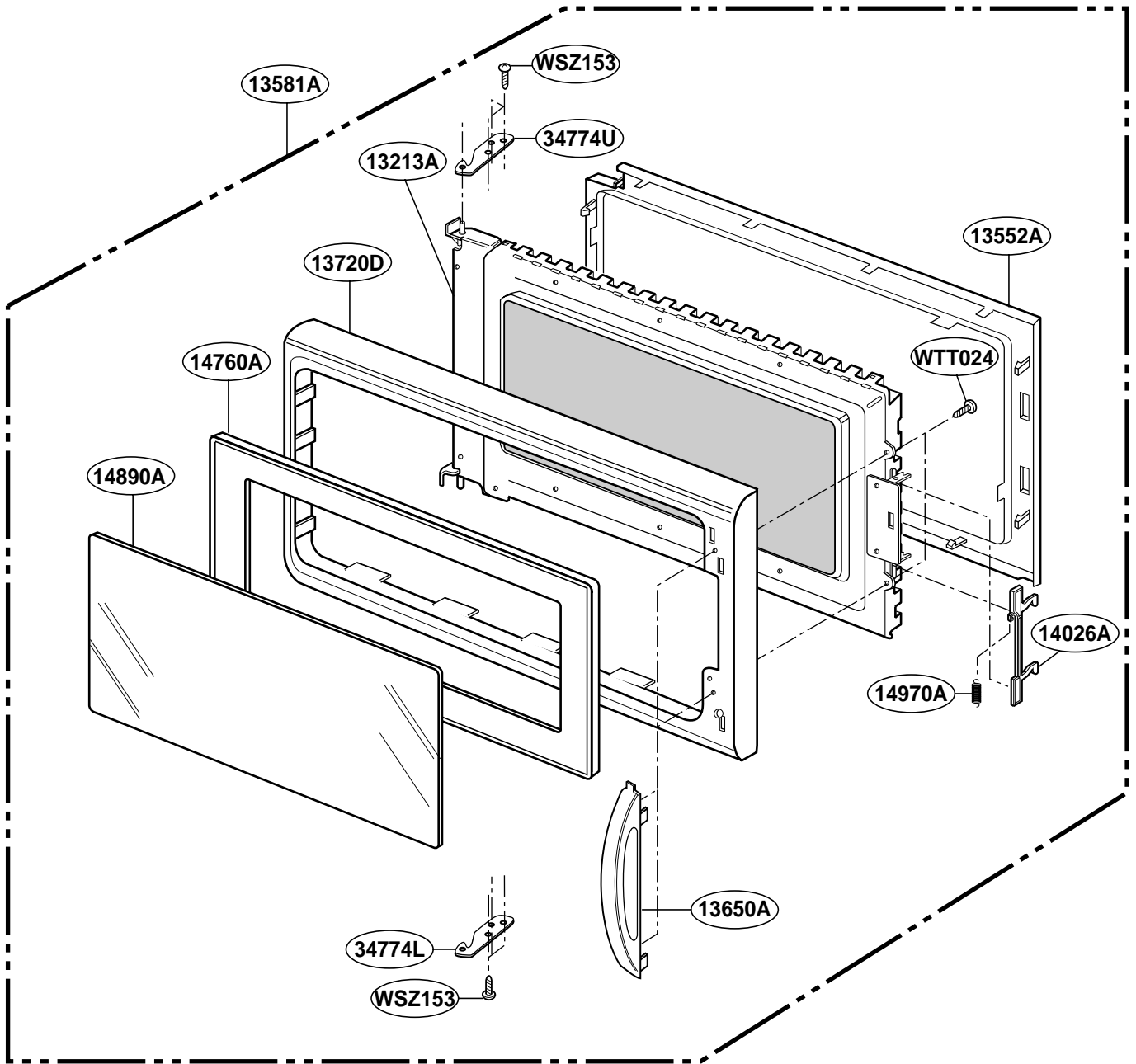


[Find Your KITCHENAID Microwave Parts - Select From 105 Models](#)

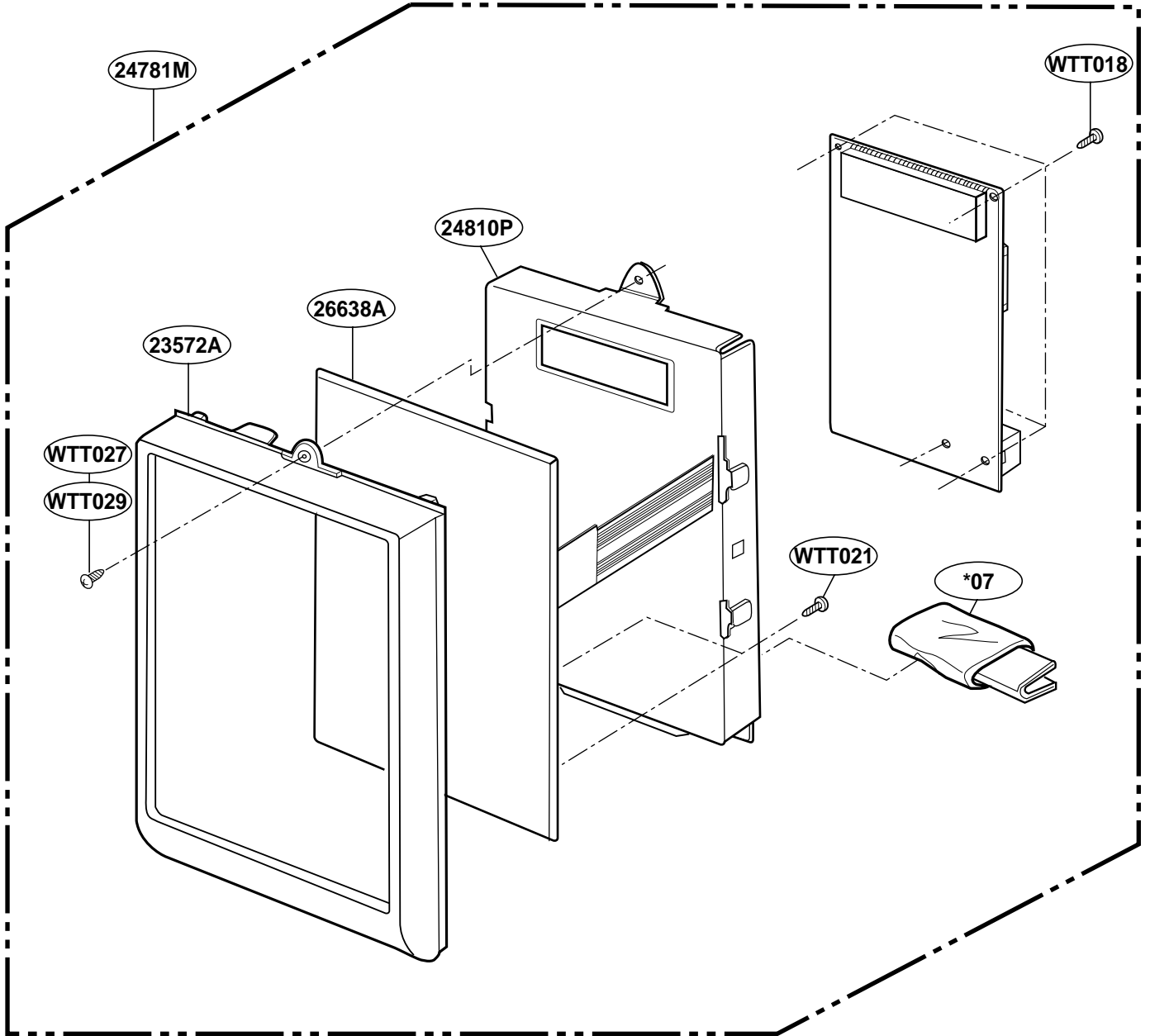
----- Manual continues below -----

EXPLODED VIEW

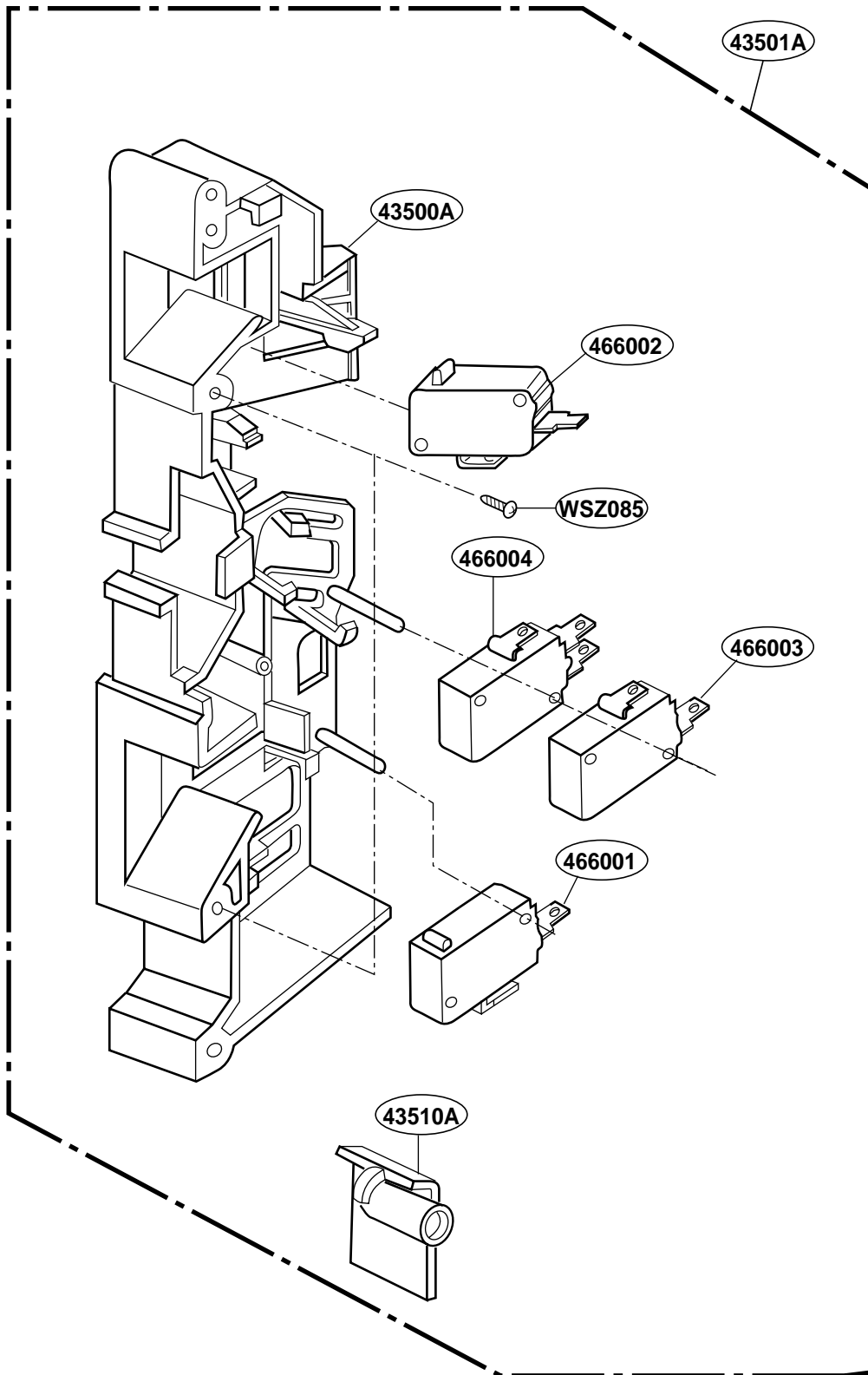
DOOR PARTS



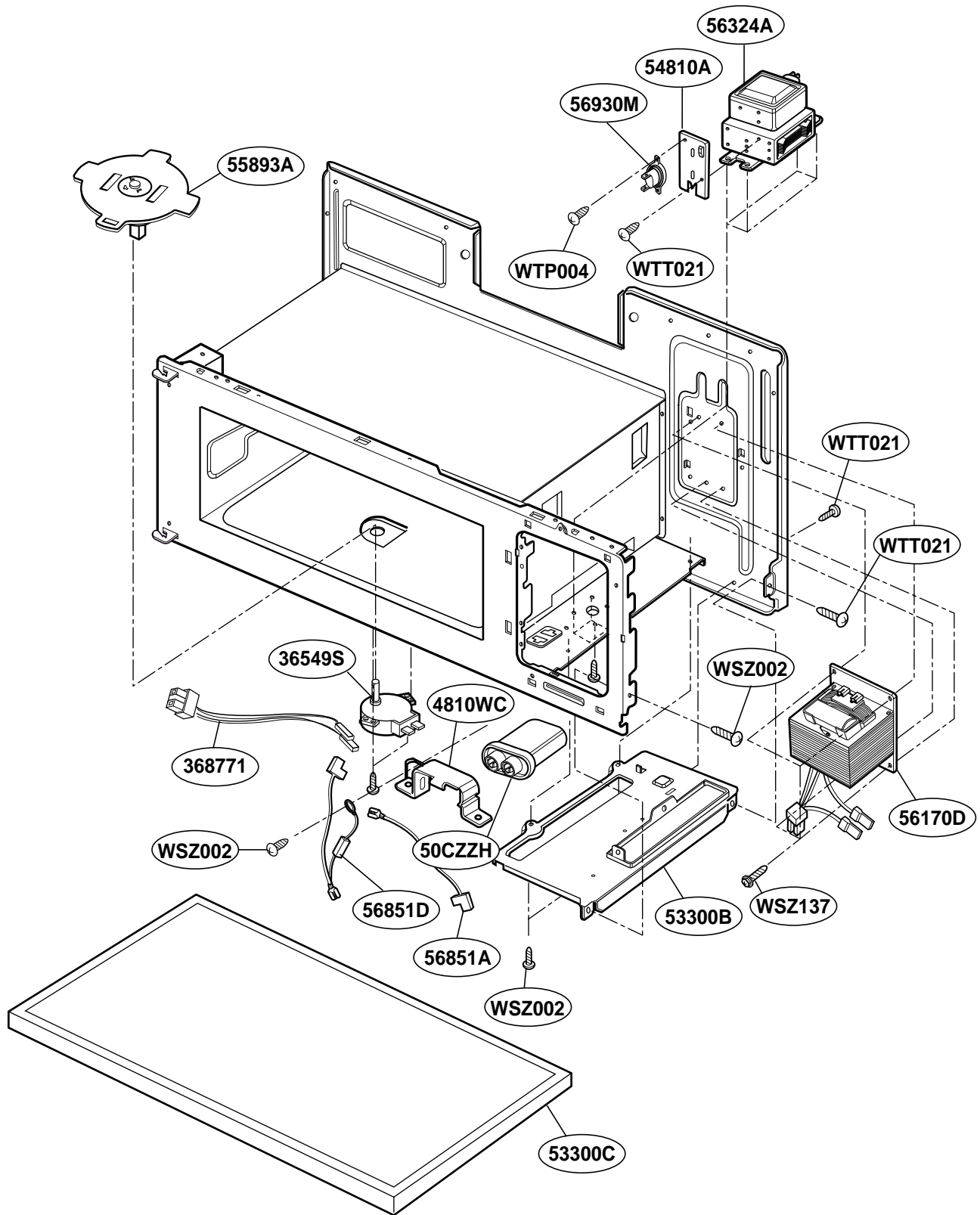
CONTROLLER PARTS



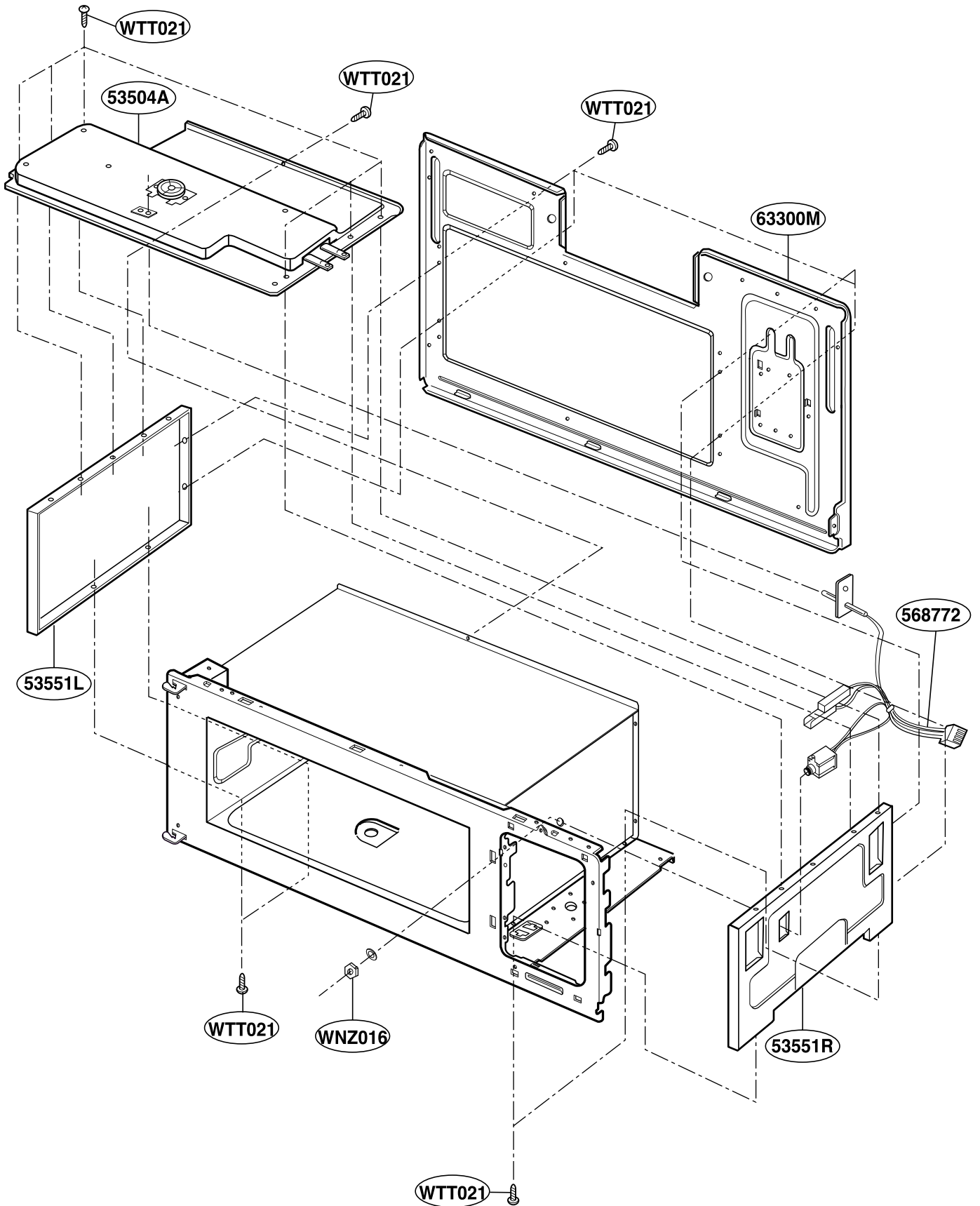
LATCH BOARD PARTS



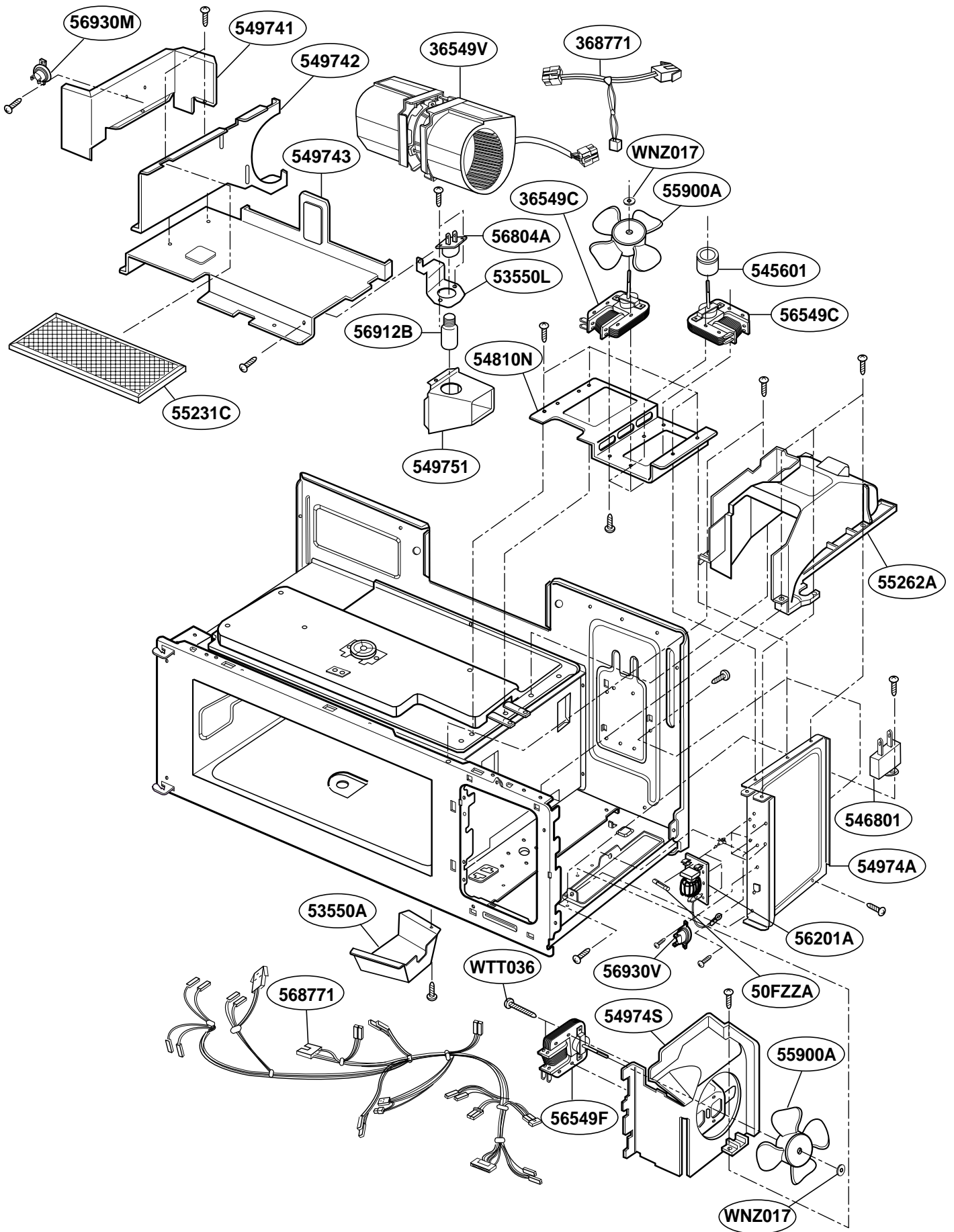
INTERIOR PARTS (I)



INTERIOR PARTS (II)



INTERIOR PARTS (III)



INSTALLATION PARTS

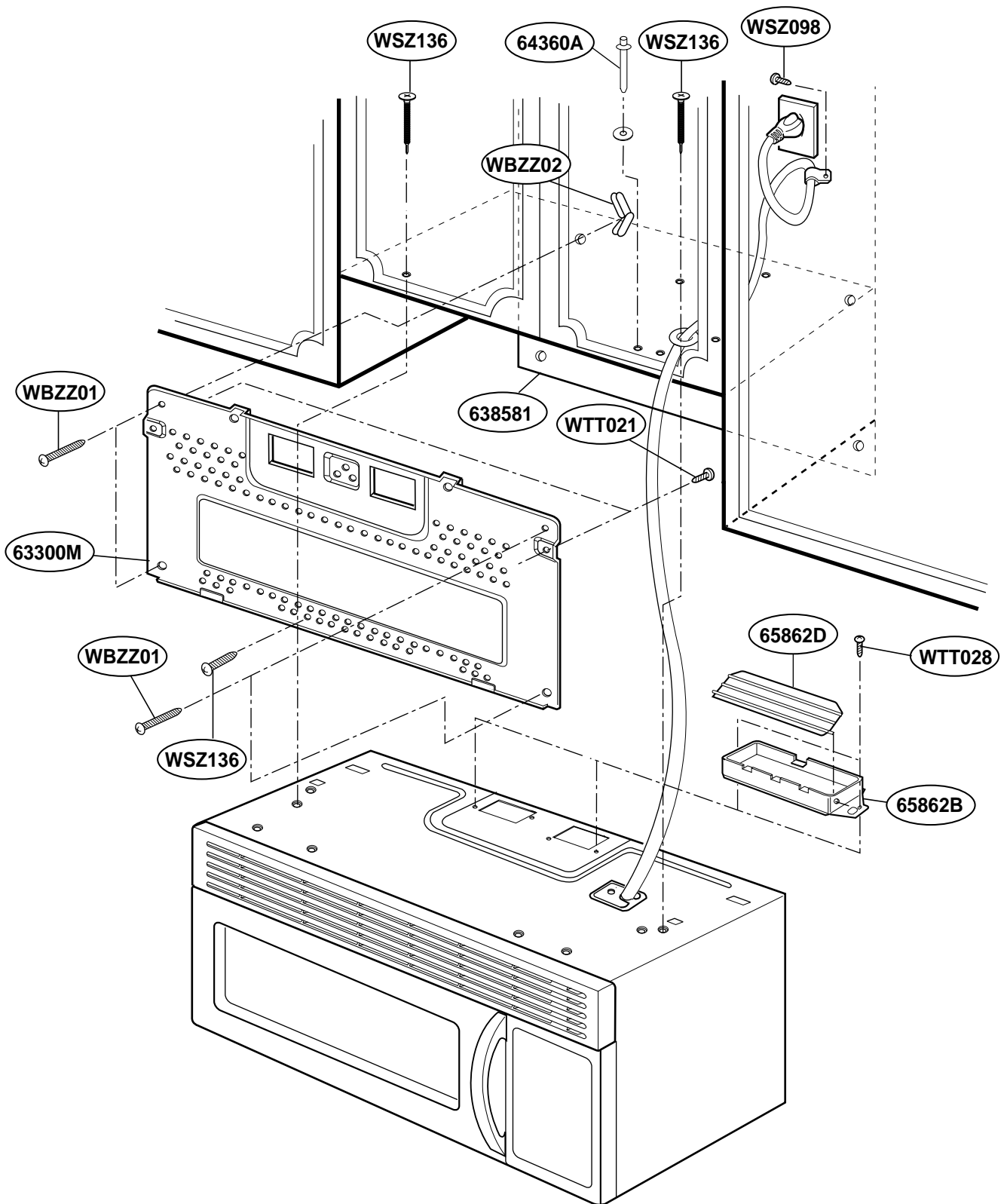


PLATE CHAMBER ASSY PARTS

