

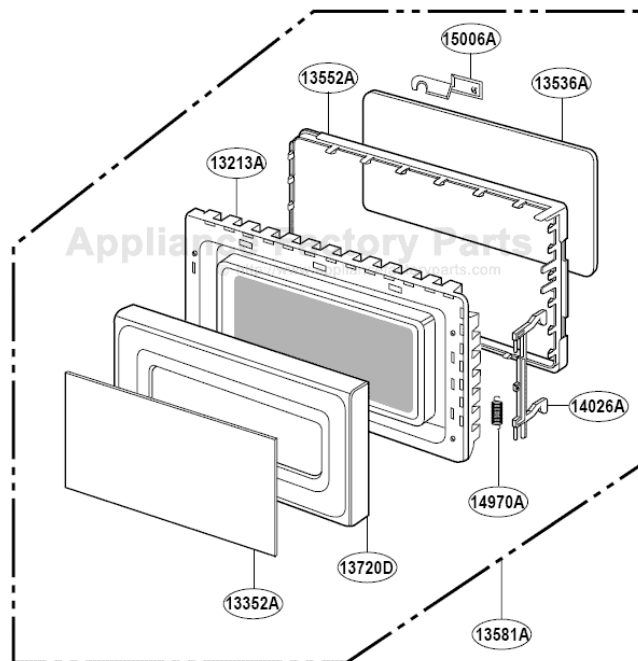
This Owner's Manual is provided and hosted by [Appliance Factory Parts](#).



# WHIRLPOOL YMT1130SGB Owner's Manual

[Shop genuine replacement parts for WHIRLPOOL  
YMT1130SGB](#)

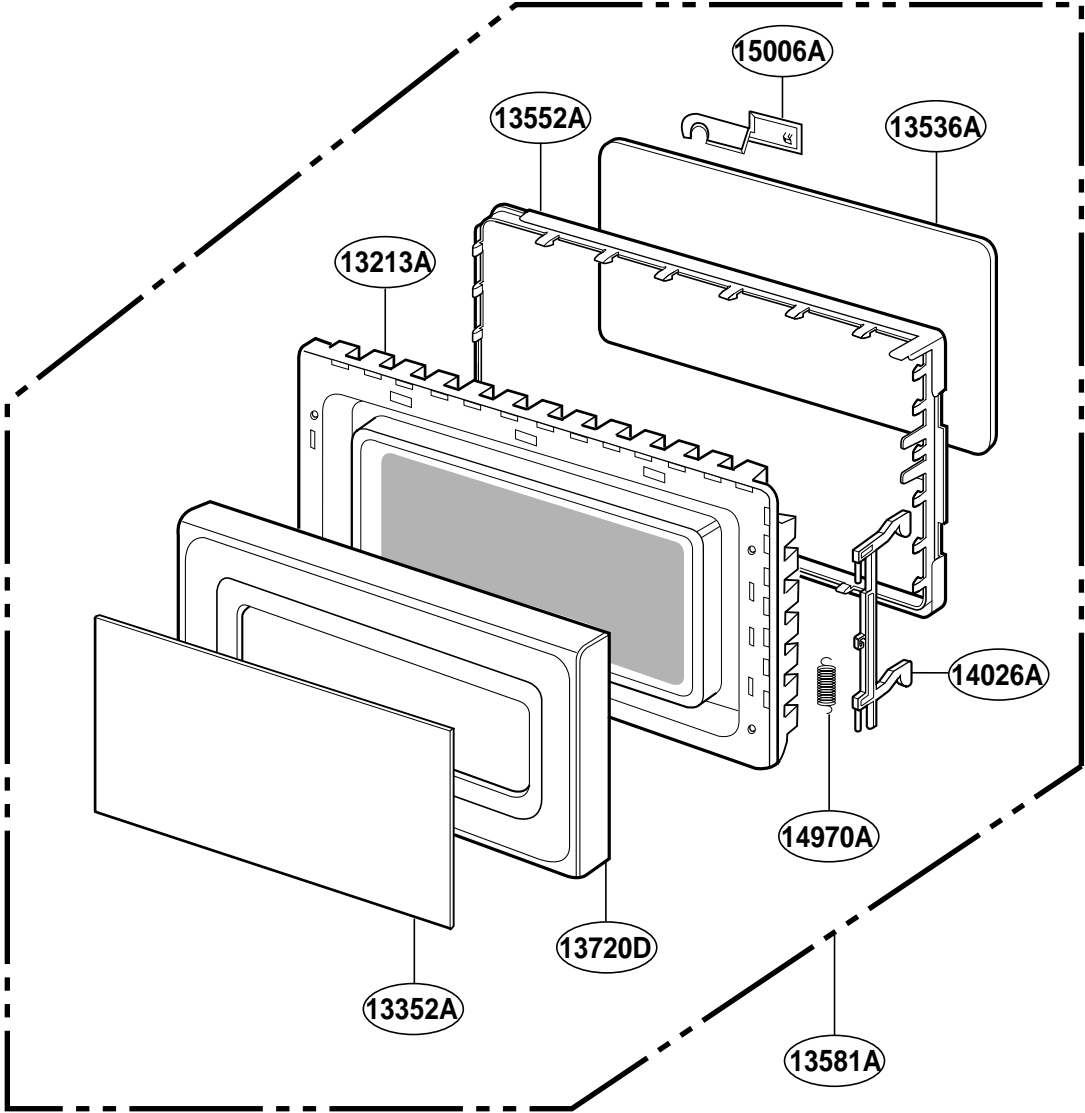
## DOOR PARTS



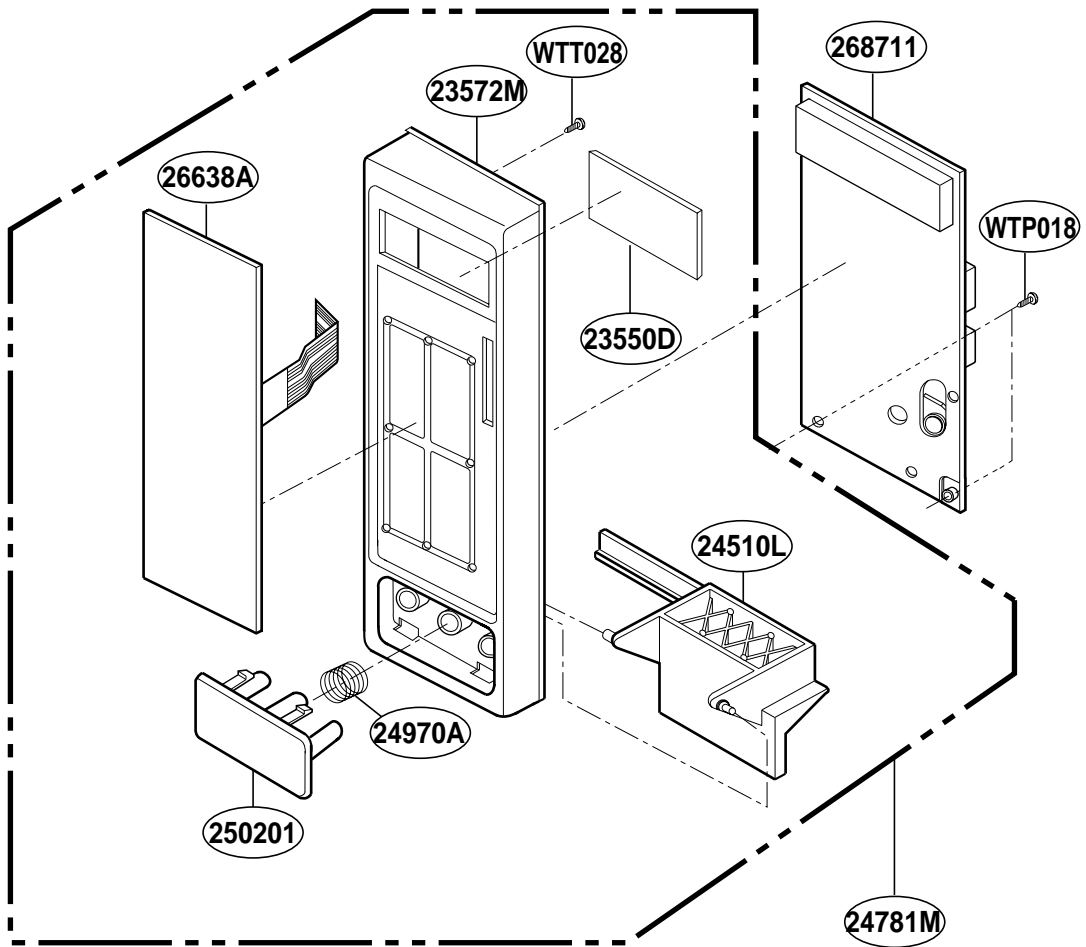
[Find Your WHIRLPOOL Microwave Parts - Select From 1350 Models](#)

----- Manual continues below -----

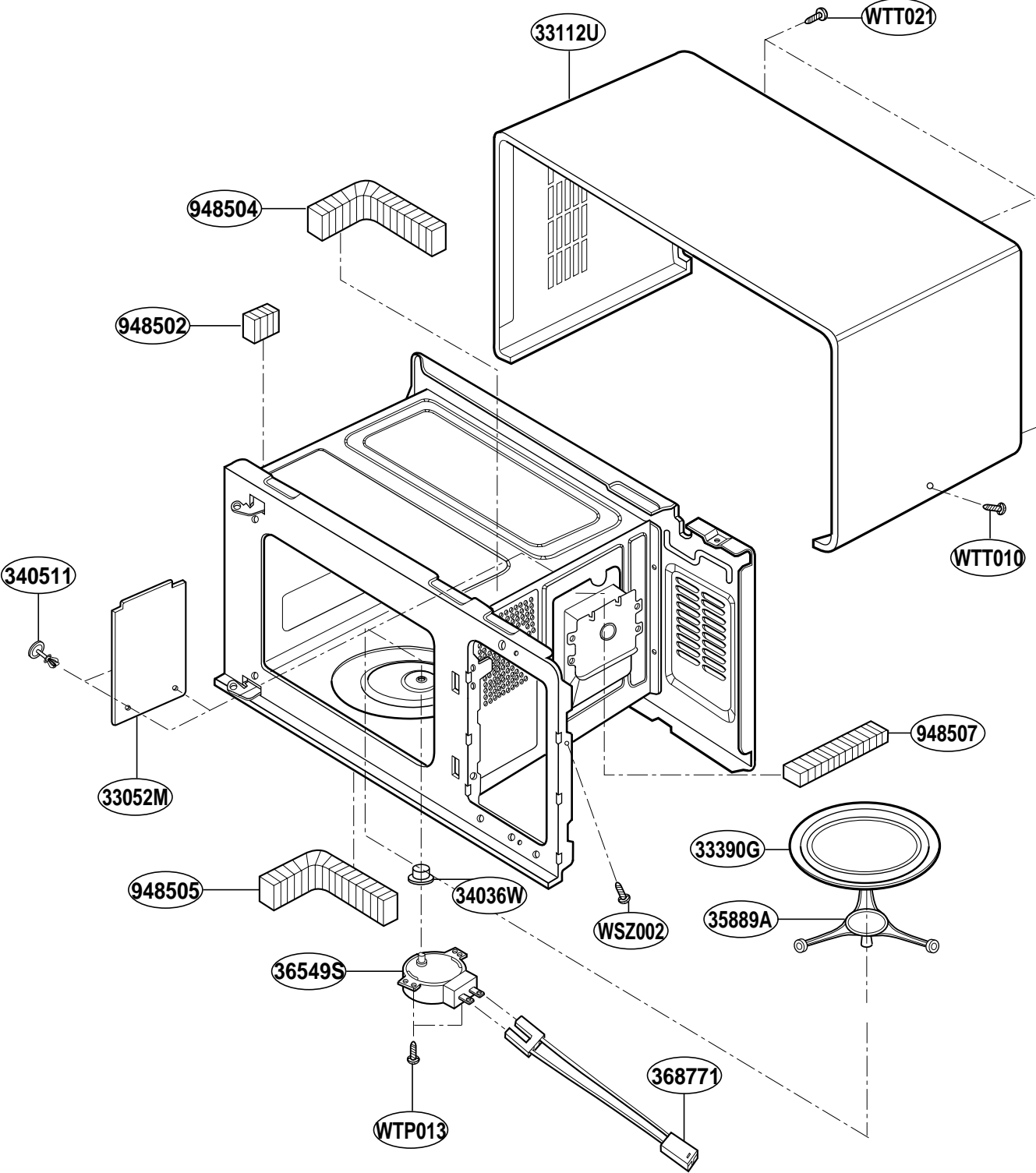
# DOOR PARTS



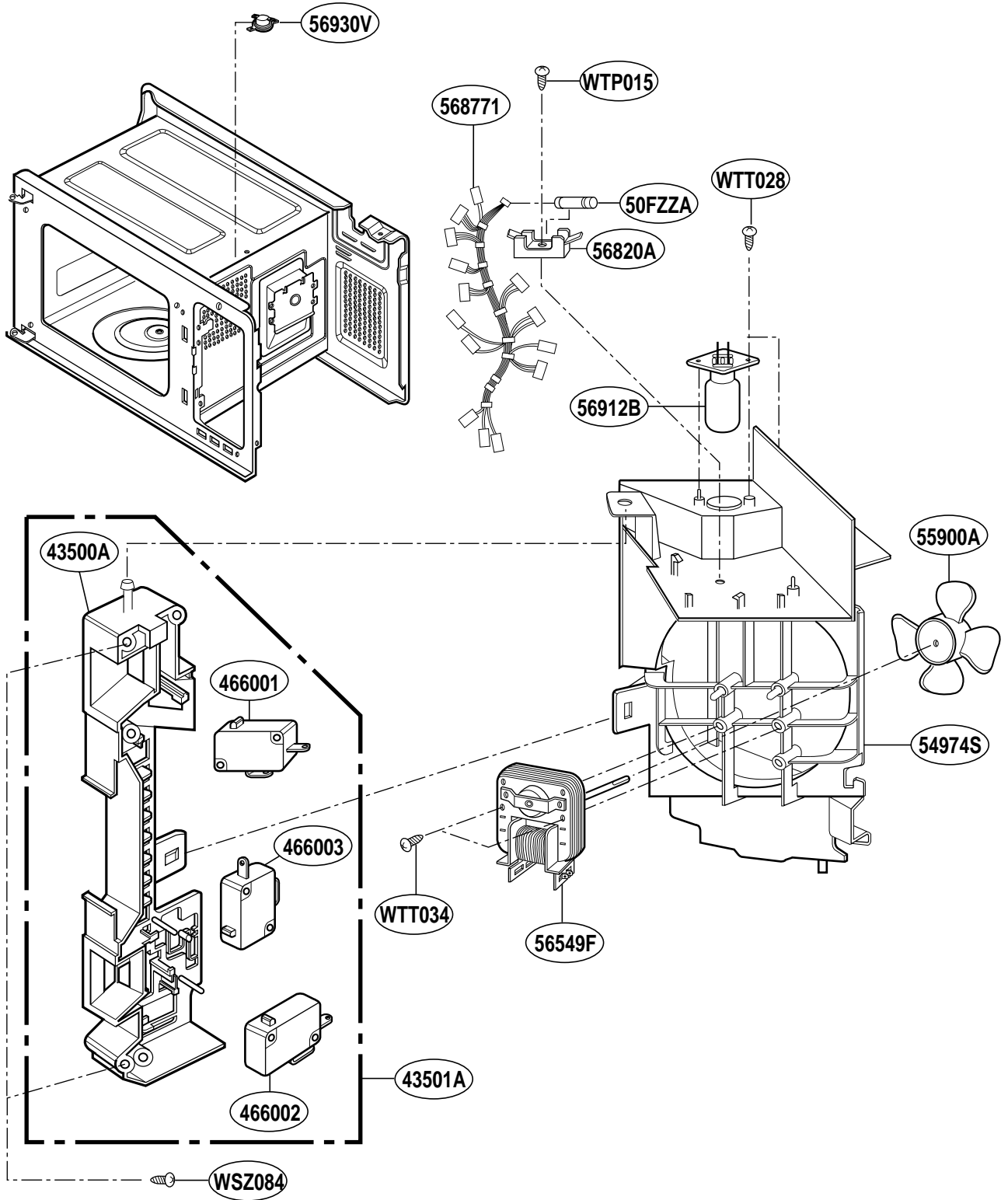
# CONTROLLER PARTS



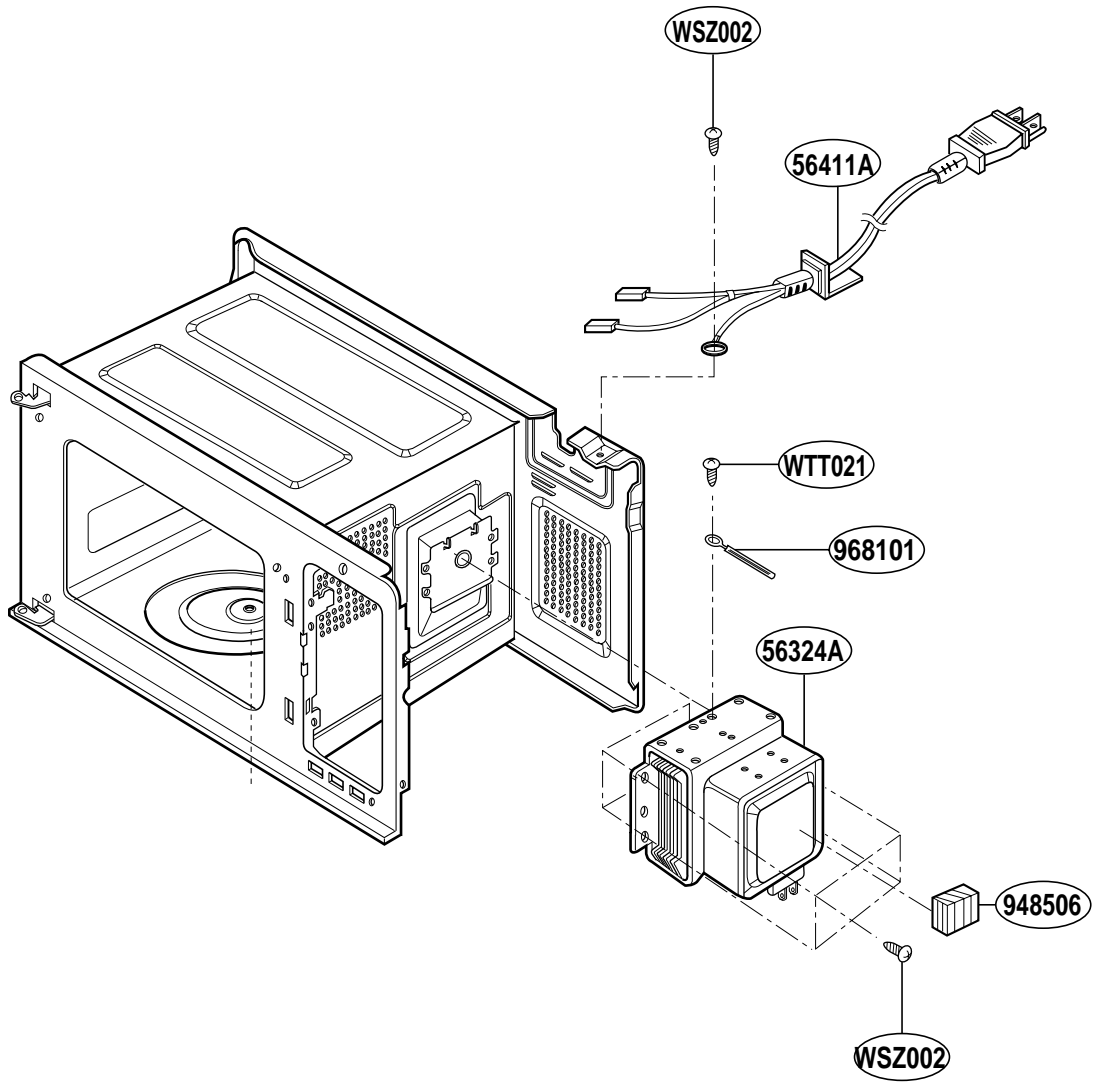
# OVEN CAVITY PARTS



# SUCTION GUIDE PARTS



# INTERIOR PARTS



# BASE PLATE PARTS

