

This Owner's Manual is provided and hosted by Appliance Factory Parts.

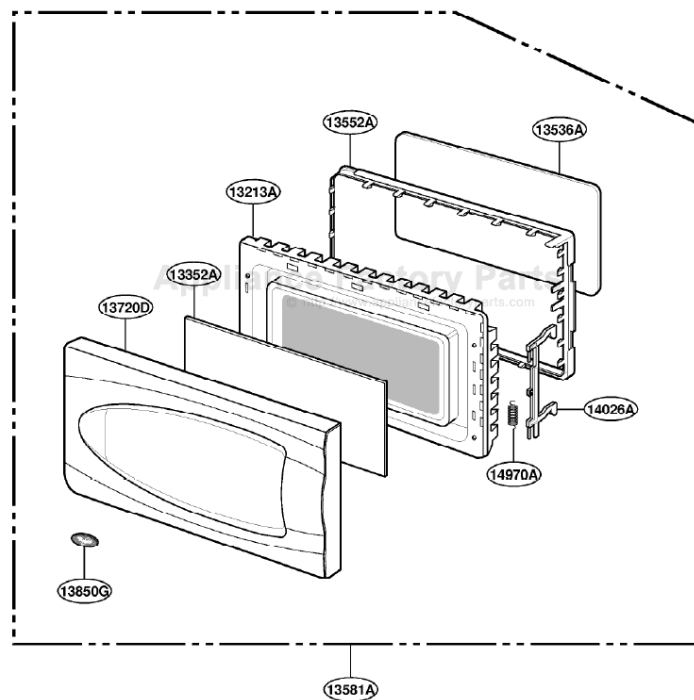


WHIRLPOOL YMT3070SHQ-1 Owner's Manual

[Shop genuine replacement parts for WHIRLPOOL
YMT3070SHQ-1](#)

DOOR PARTS

YMT3070SH



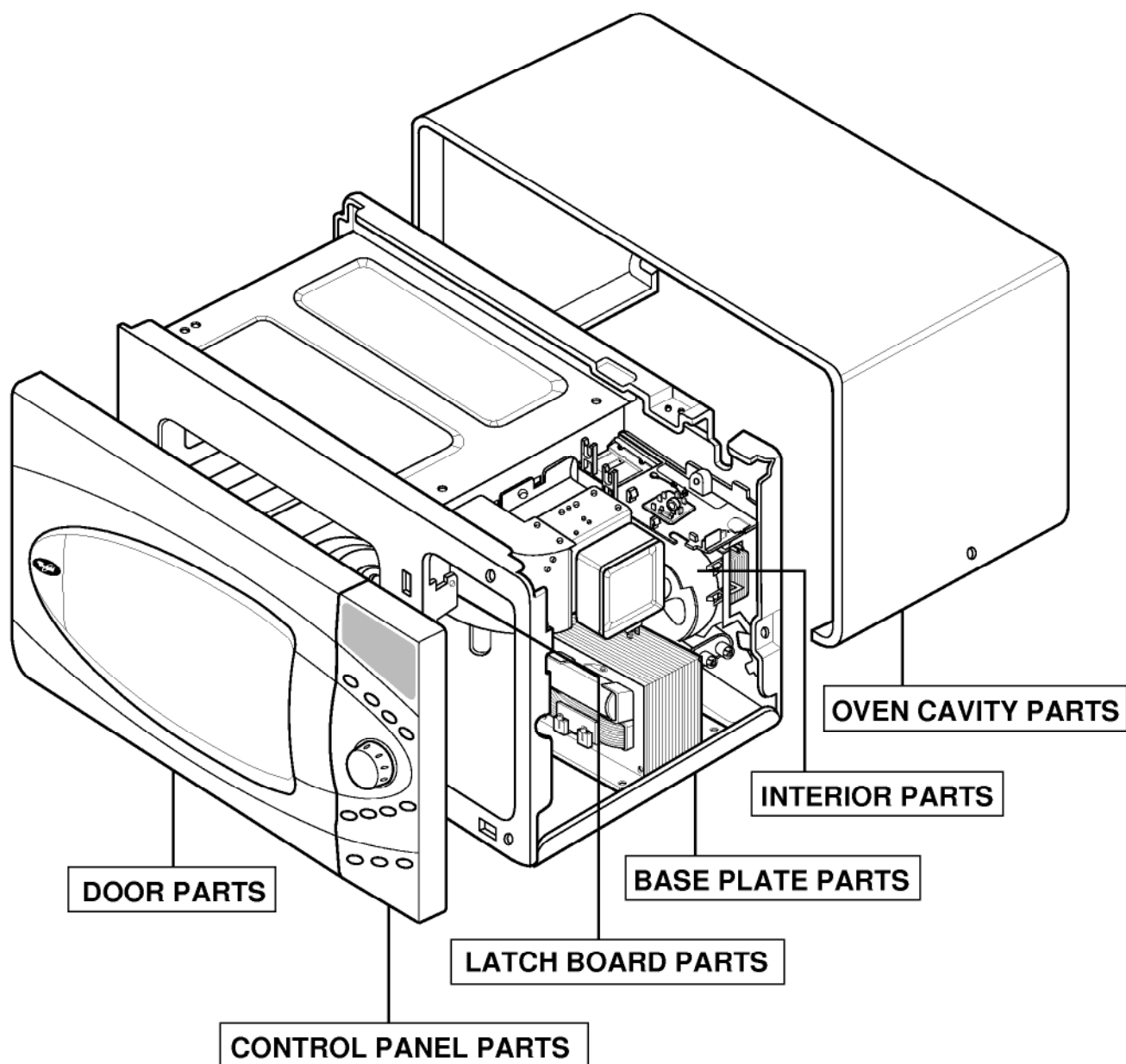
[Find Your WHIRLPOOL Microwave Parts - Select From 1350 Models](#)

----- Manual continues below -----

EXPLODED VIEW

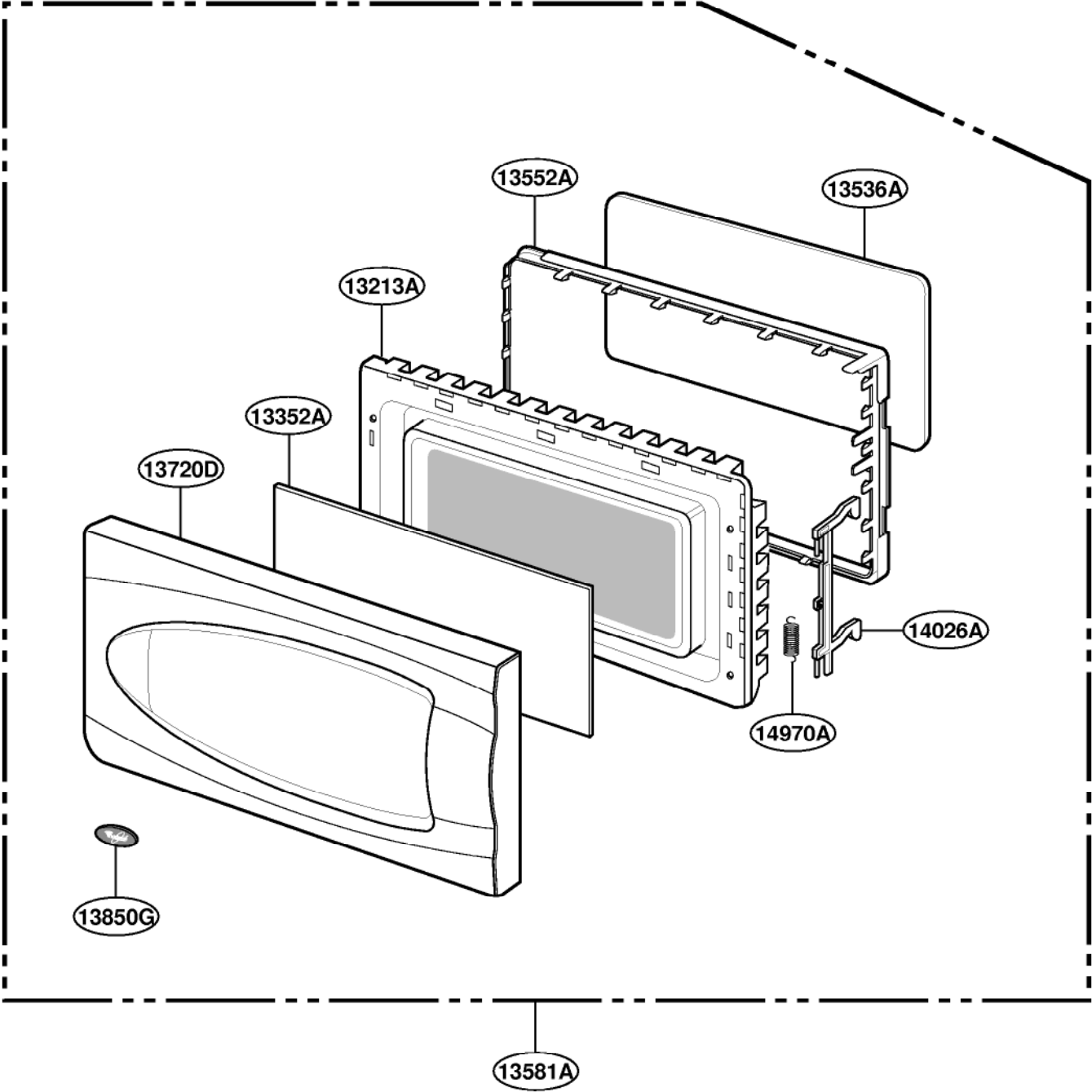
INTRODUCTION

YMT3070SH



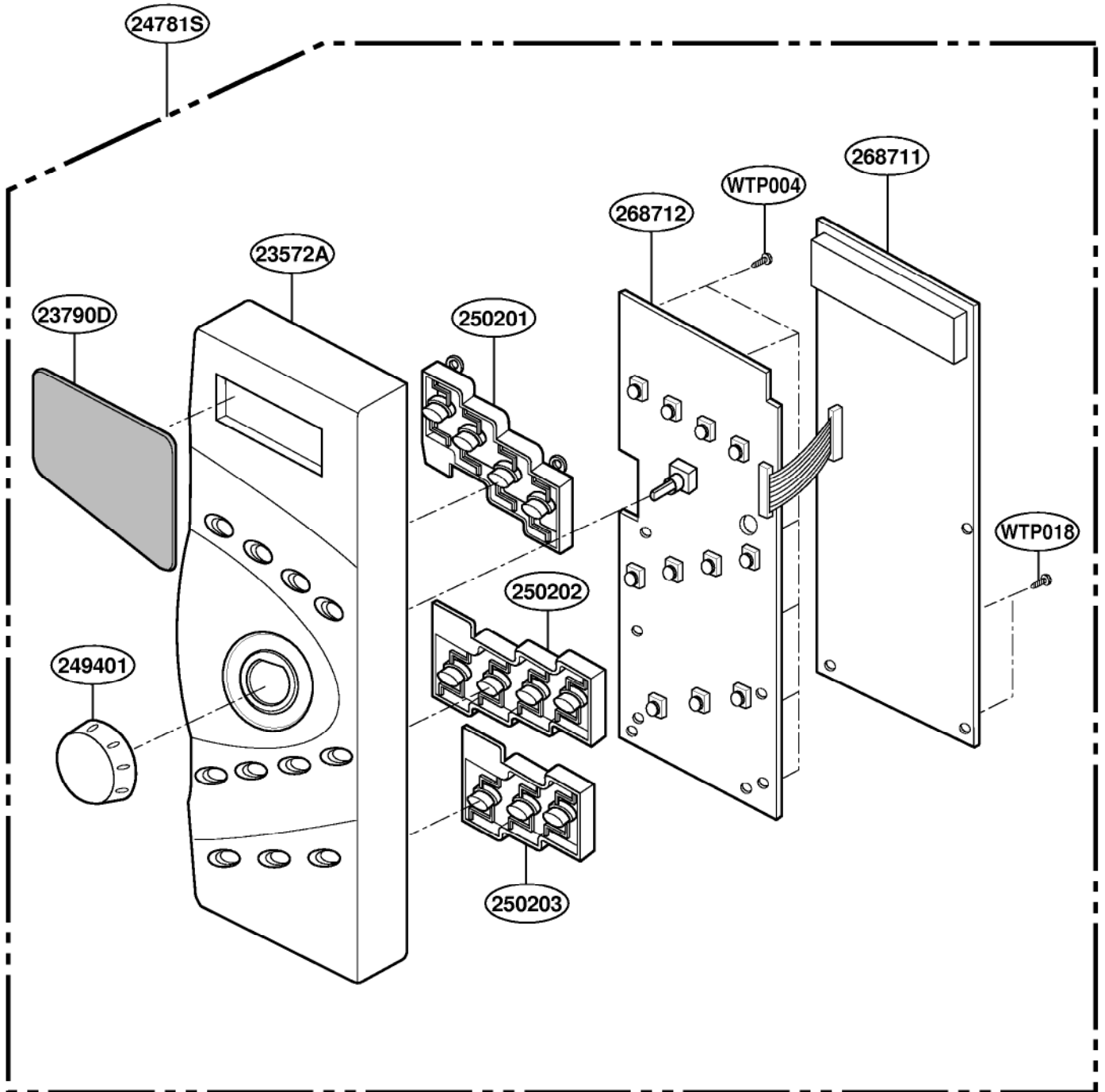
DOOR PARTS

YMT3070SH



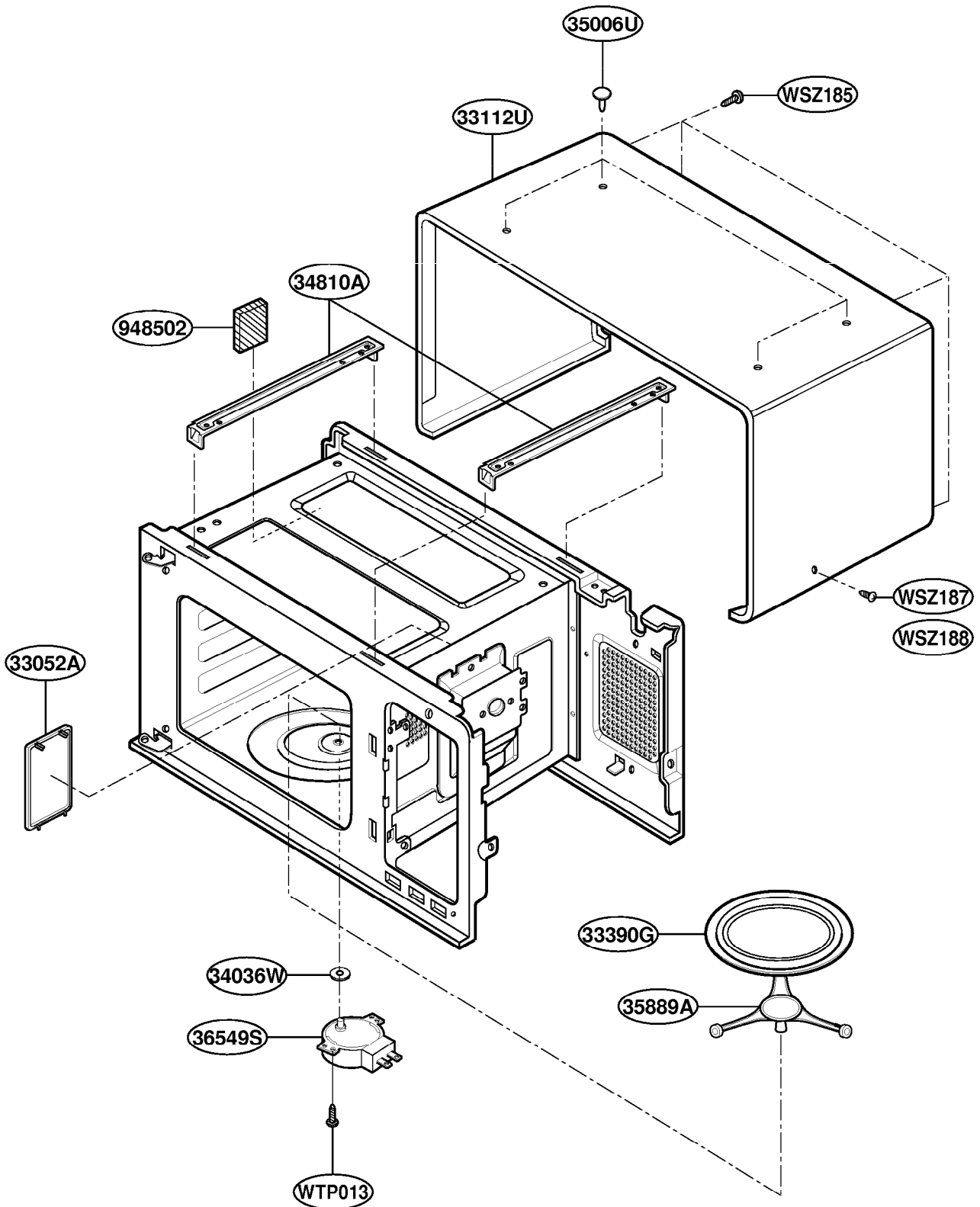
CONTROL PANEL PARTS

YMT3070SH



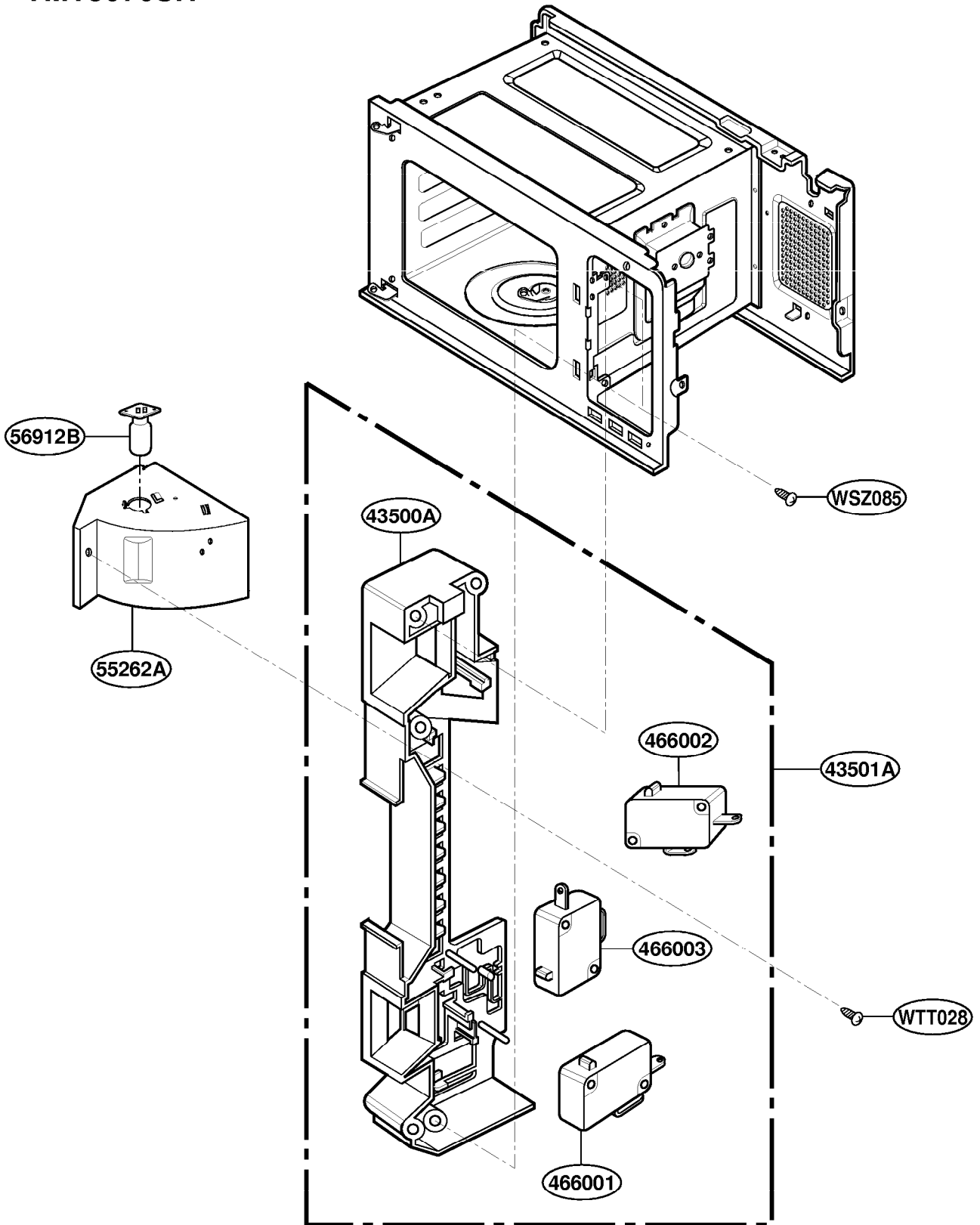
OVEN CAVITY PARTS

YMT3070SH



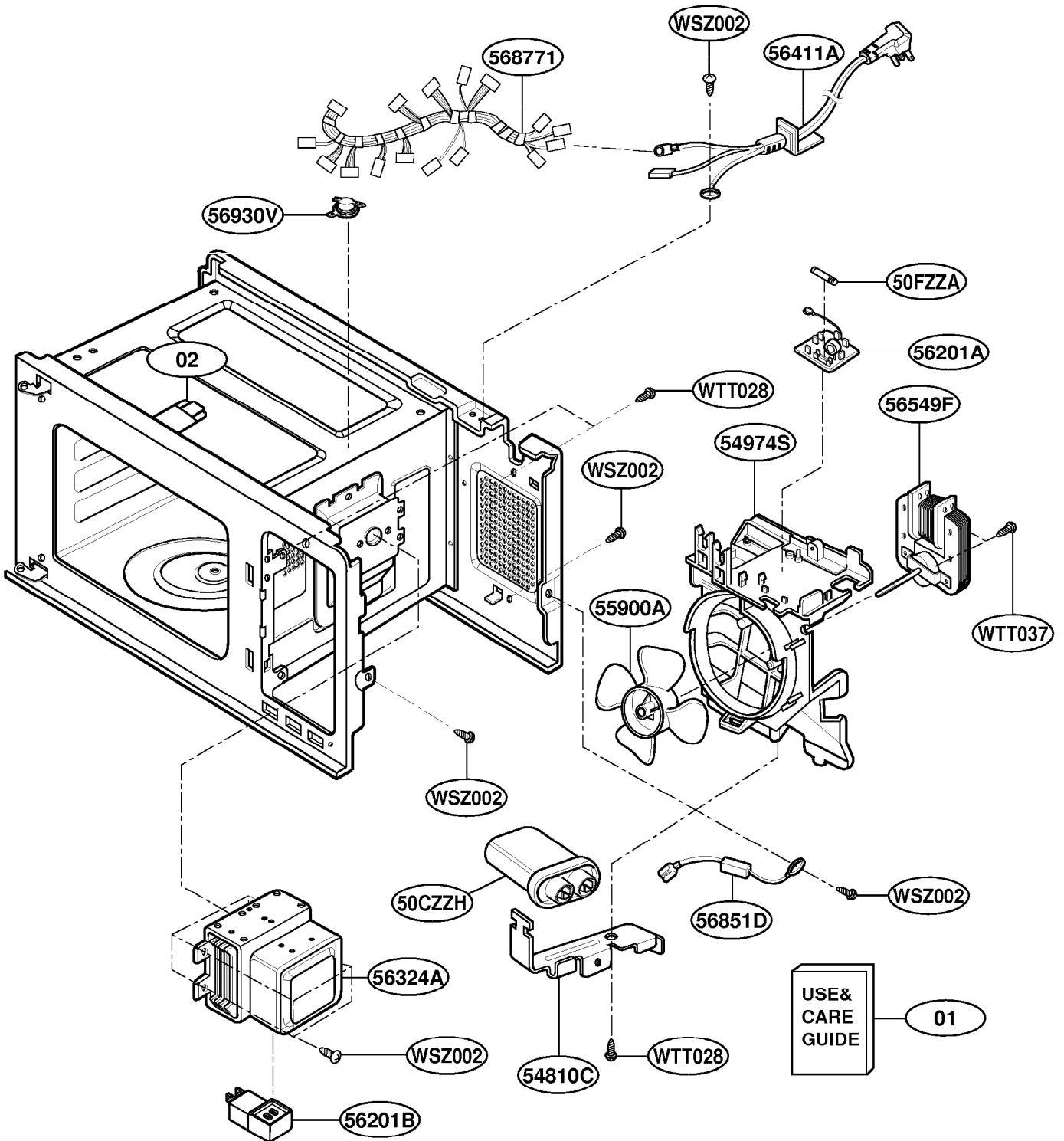
LATCH BOARD PARTS

YMT3070SH



INTERIOR PARTS

YMT3070SH



BASE PLATE PARTS

YMT3070SH

