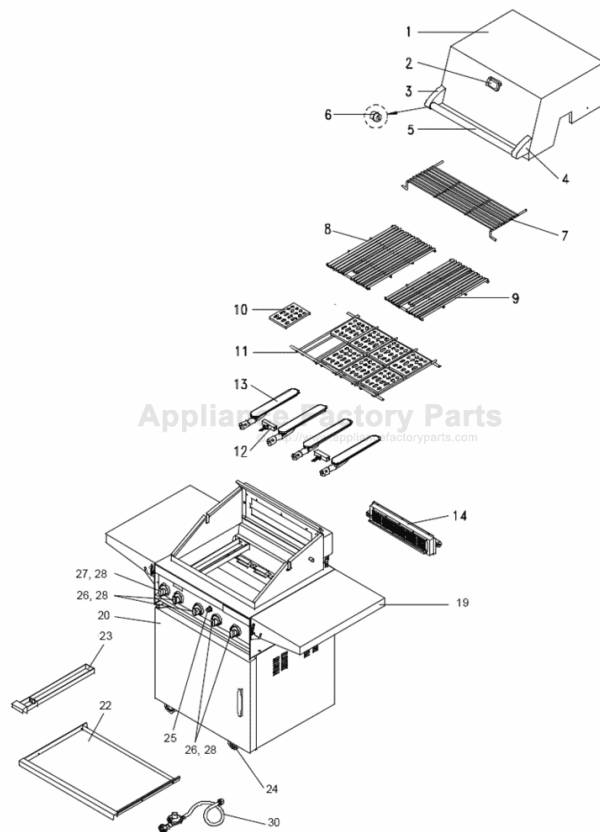


This Owner's Manual is provided and hosted by Appliance Factory Parts.



LG YMT4140SKQ Owner's Manual

[Shop genuine replacement parts for LG YMT4140SKQ](#)



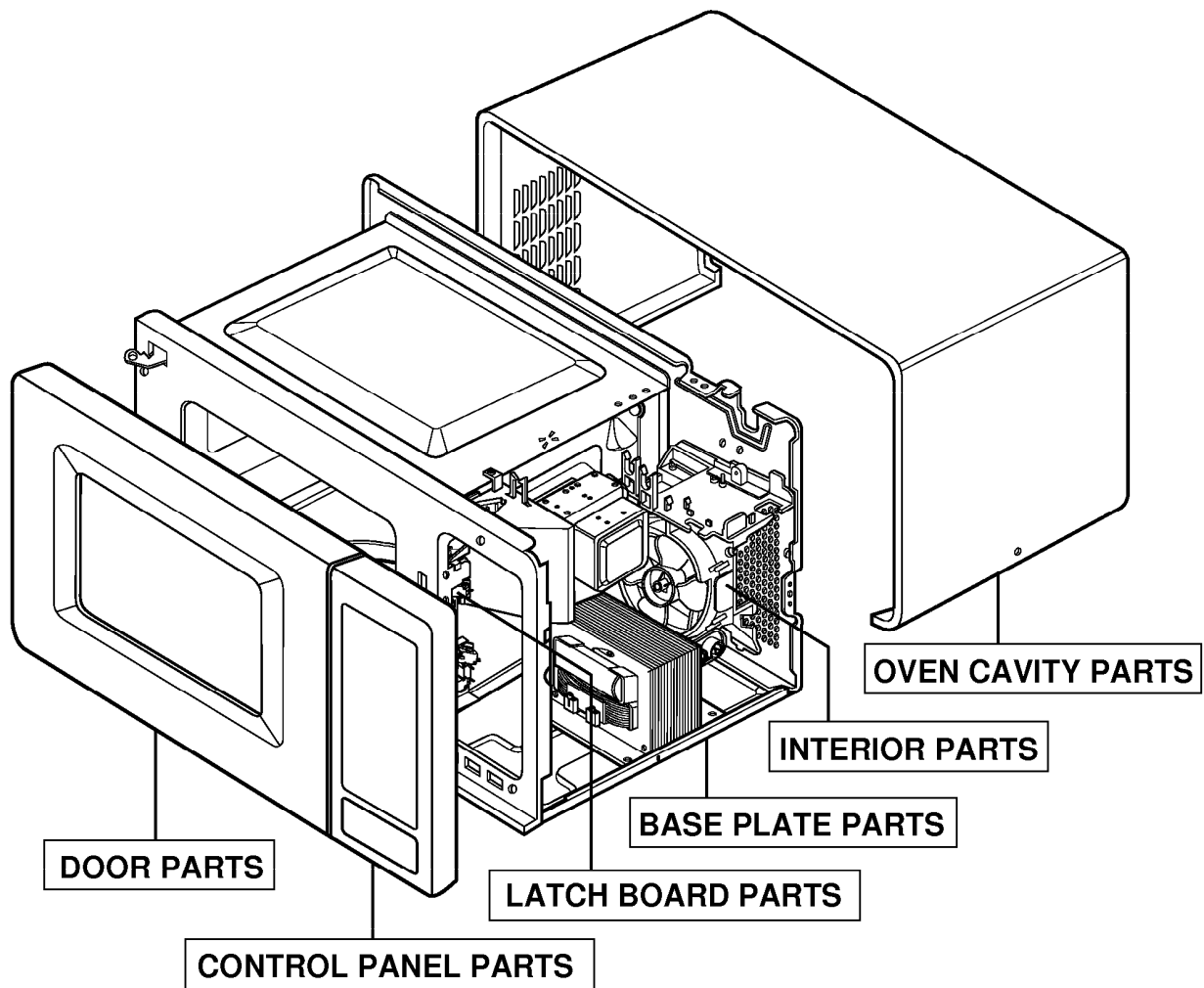
[Find Your LG Microwave Parts - Select From 955 Models](#)

----- Manual continues below -----

EXPLODED VIEW

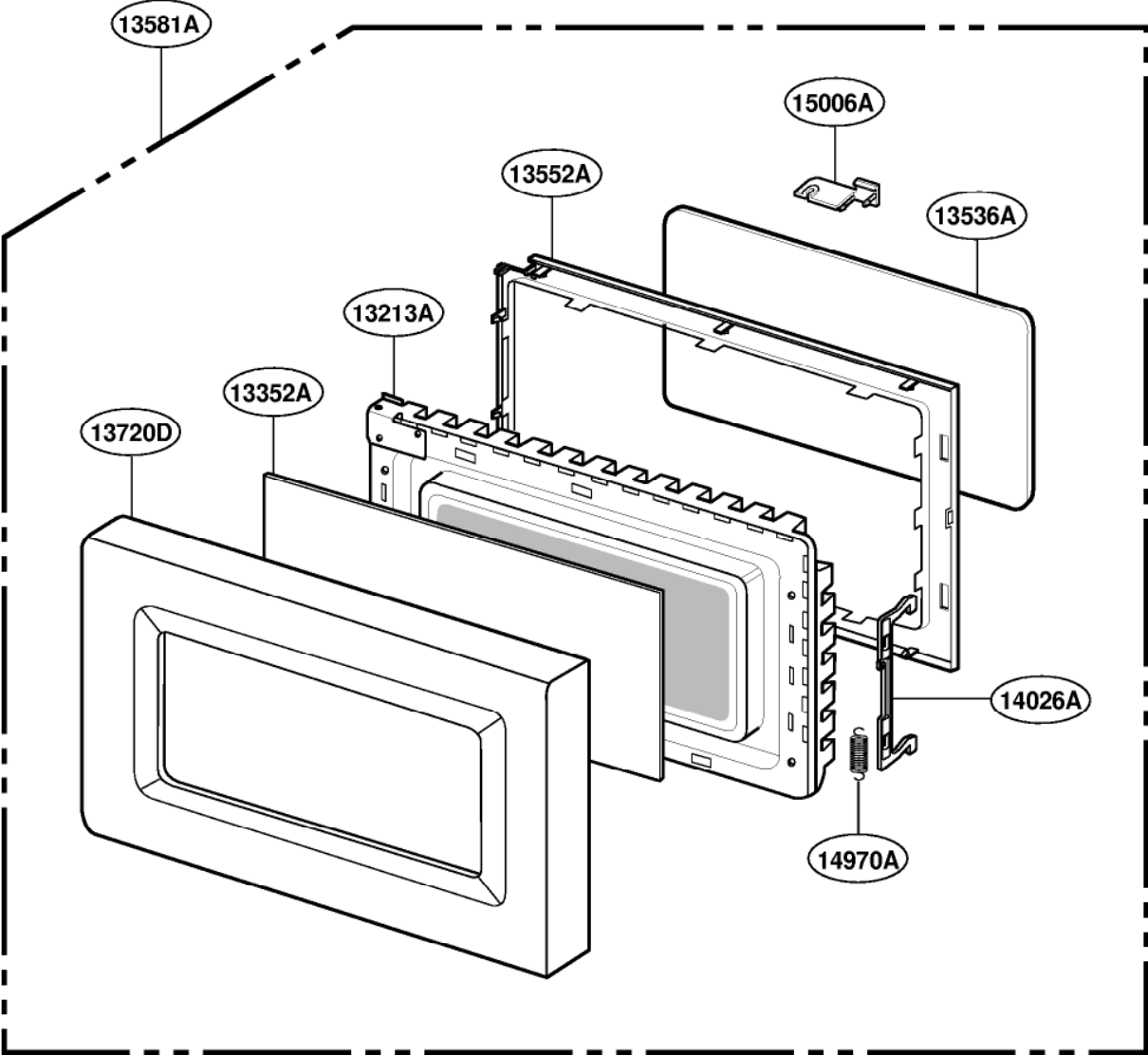
INTRODUCTION

MODEL: YMT4140SK



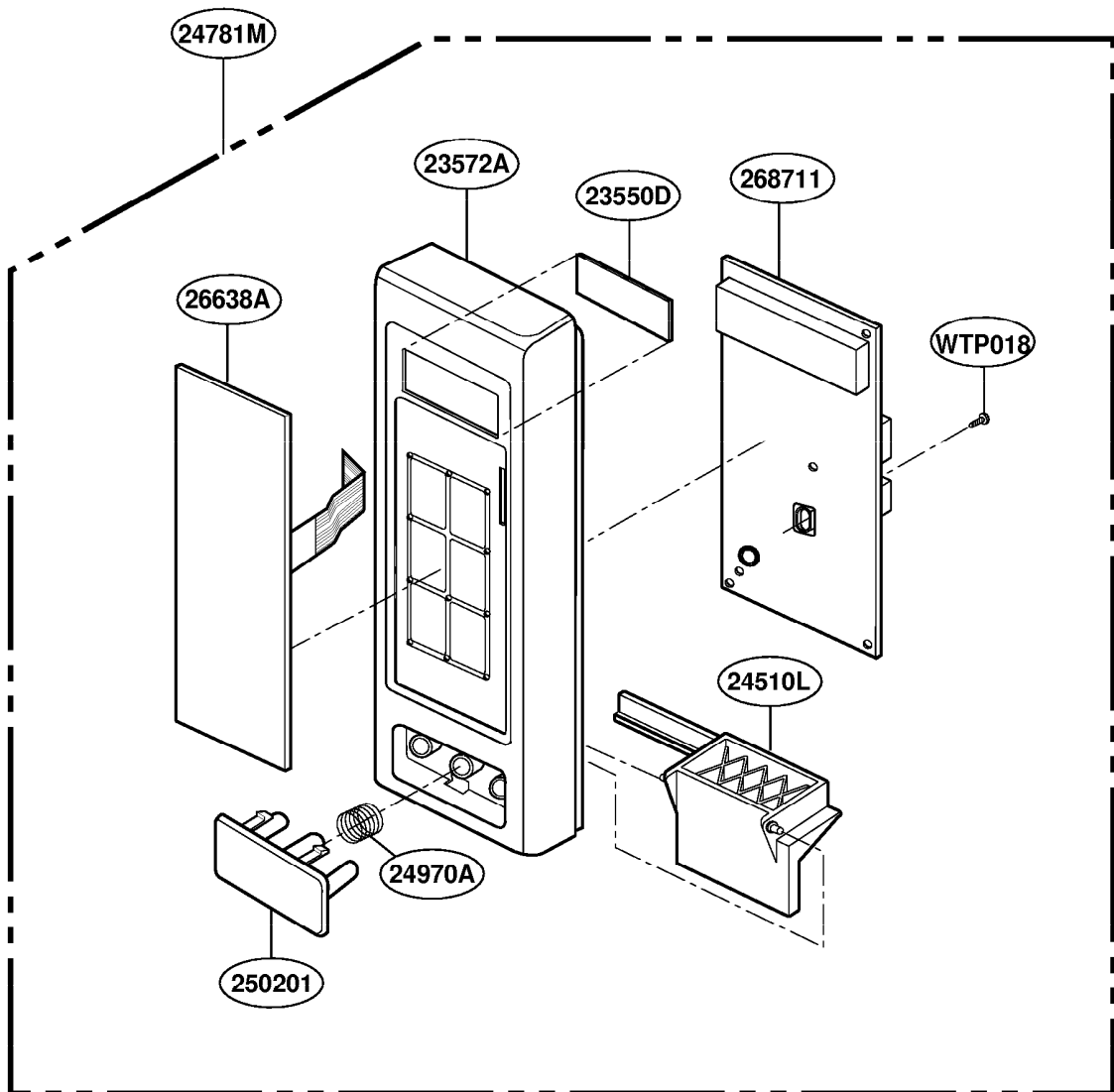
DOOR PARTS

MODEL: YMT4140SK



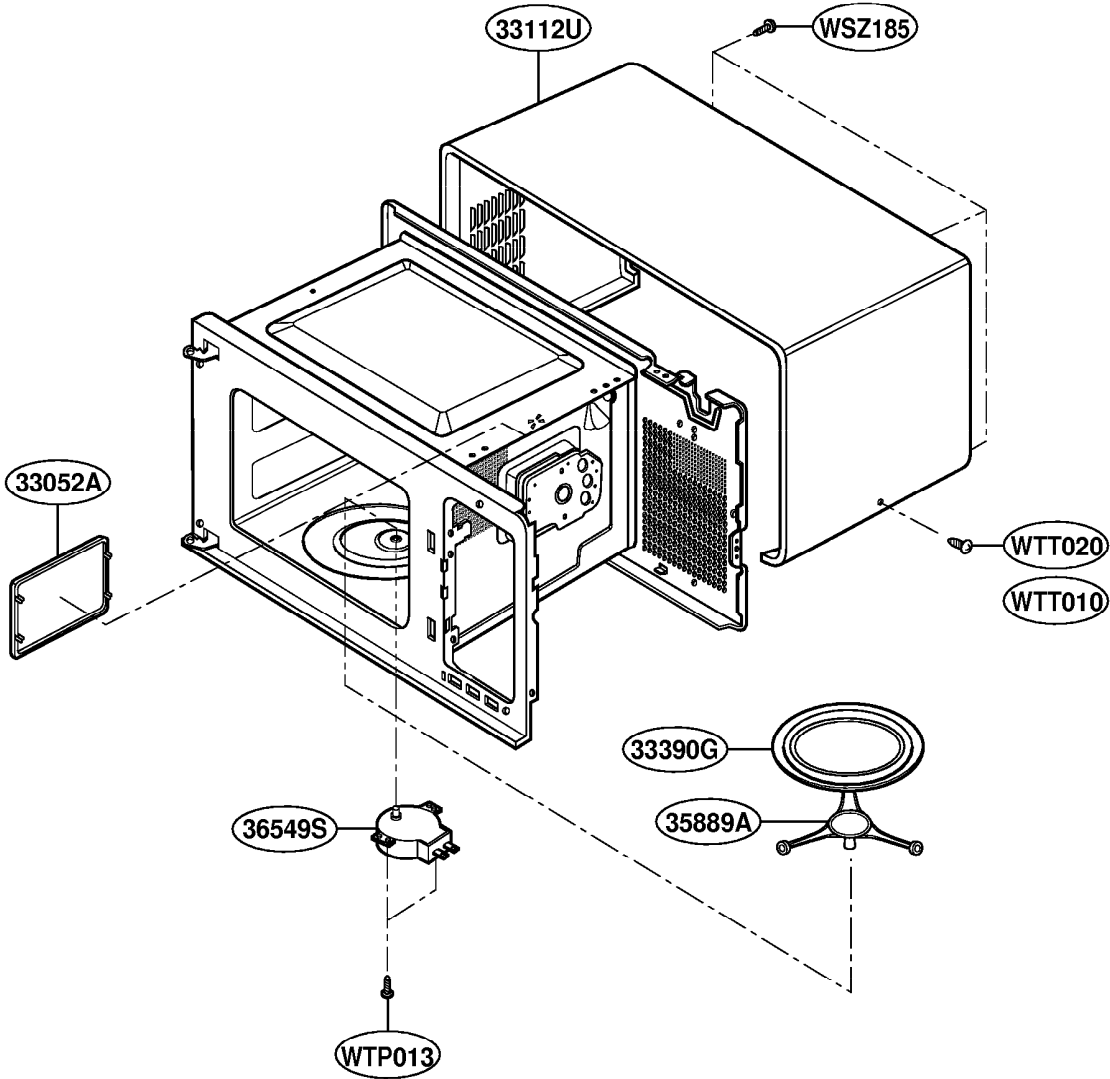
CONTROLLER PARTS

MODEL: YMT4140SK



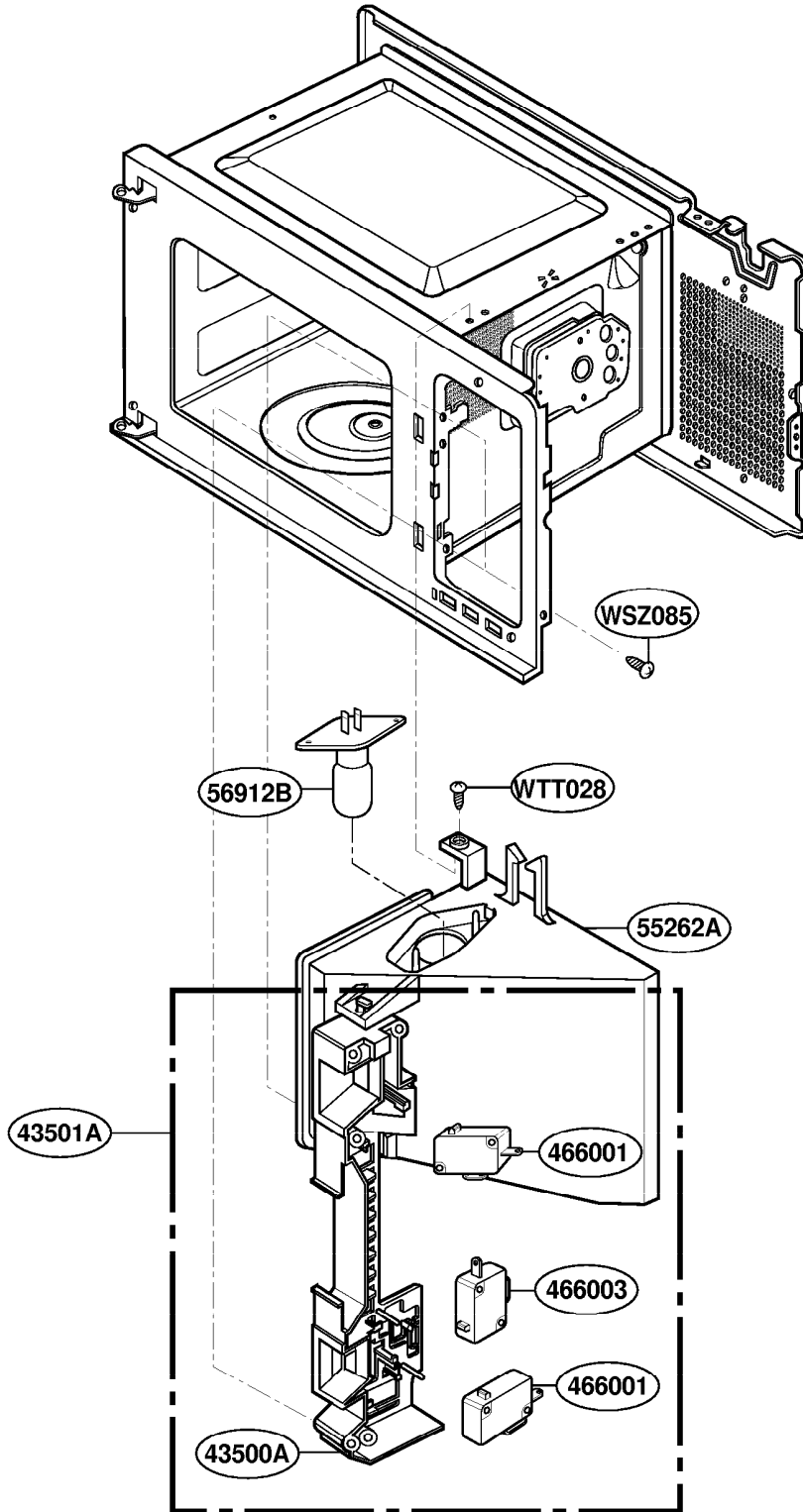
OVEN CAVITY PARTS

MODEL: YMT4140SK



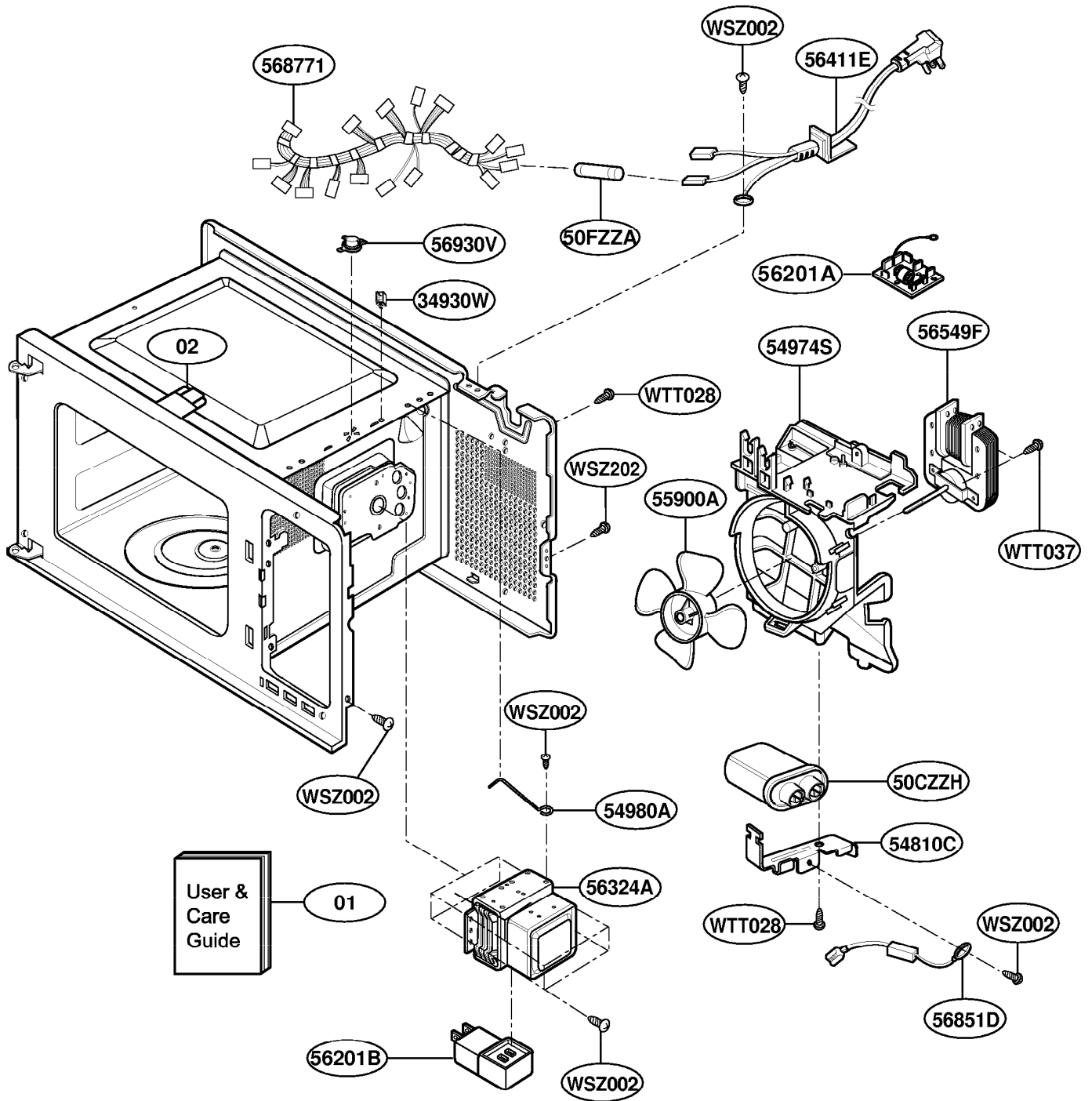
LATCH BOARD PARTS

MODEL: YMT4140SK



INTERIOR PARTS

MODEL: YMT4140SK



BASE PLATE PARTS

MODEL: YMT4140SK

