

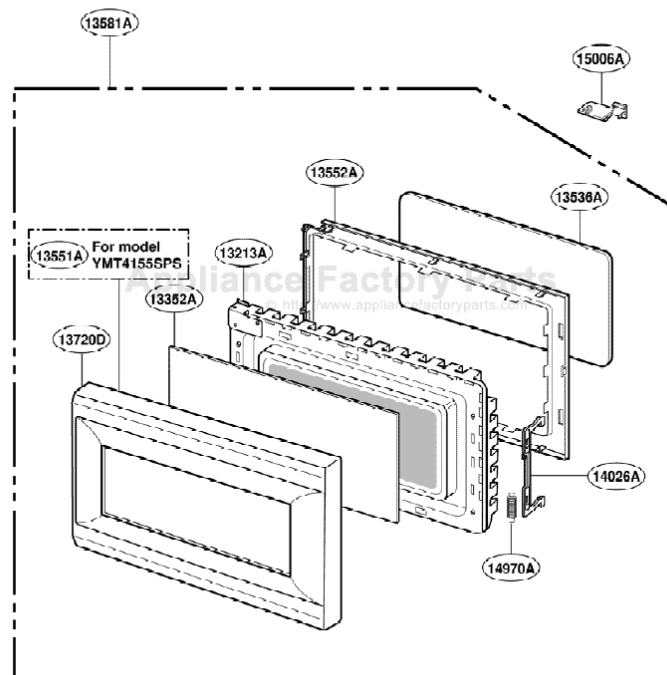
This Owner's Manual is provided and hosted by Appliance Factory Parts.



WHIRLPOOL YMT4155SPQ Owner's Manual

[Shop genuine replacement parts for WHIRLPOOL
YMT4155SPQ](#)

DOOR PARTS



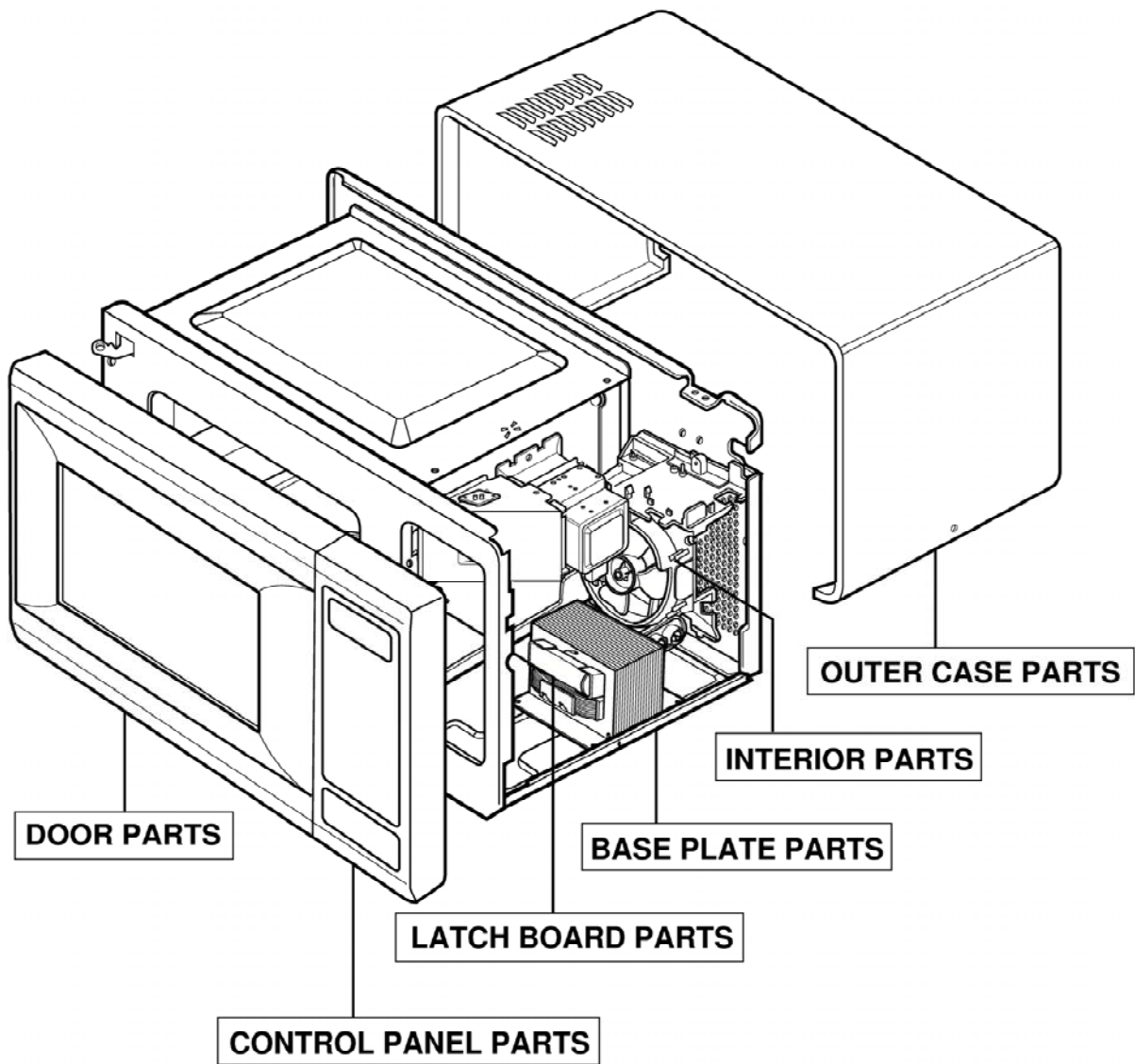
[Find Your WHIRLPOOL Microwave Parts - Select From 1350 Models](#)

----- Manual continues below -----

EXPLODED VIEW

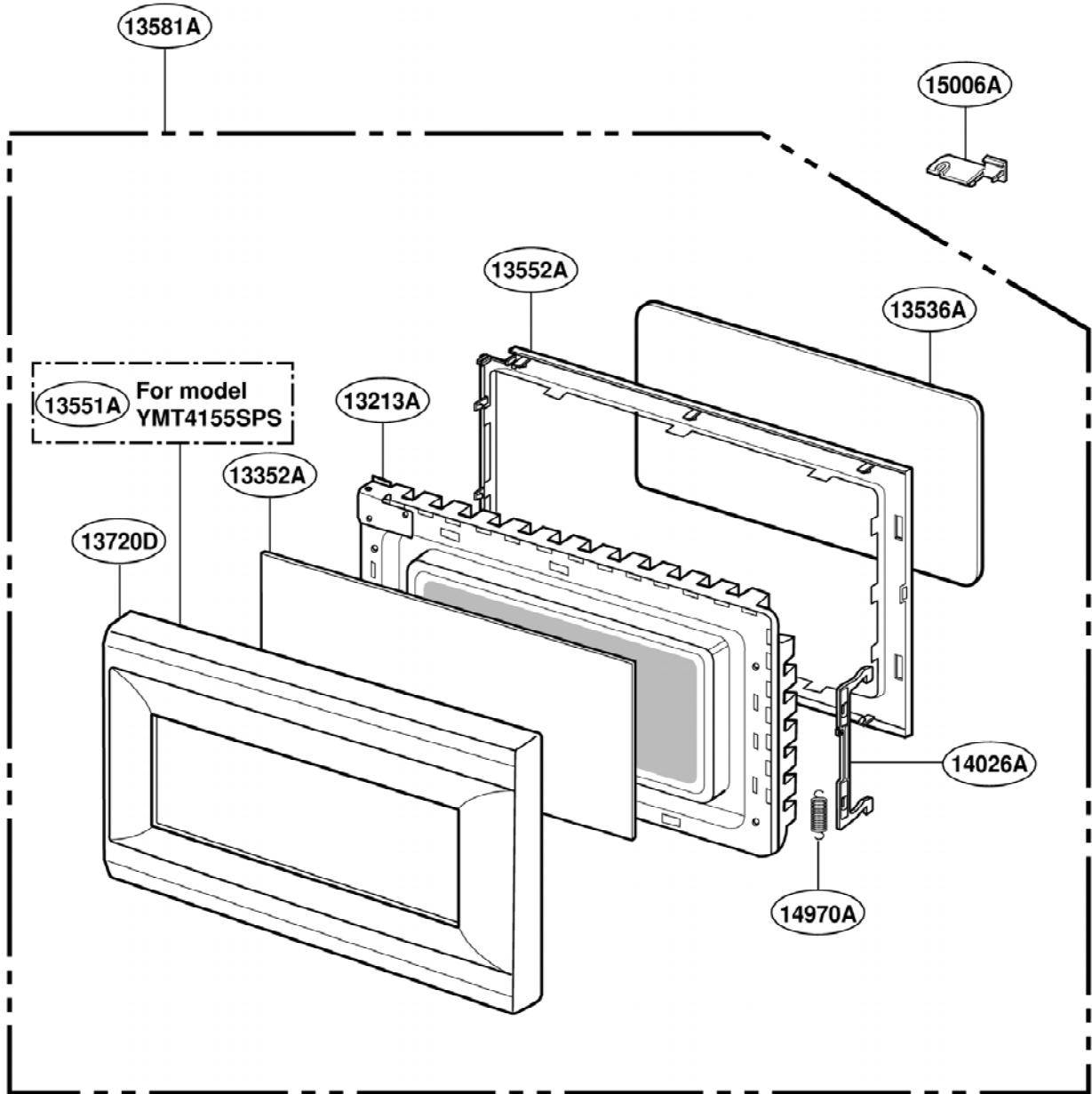
INTRODUCTION

For model : YMT4155SPQ
YMT4155SPT
YMT4155SPB
YMT4155SPS

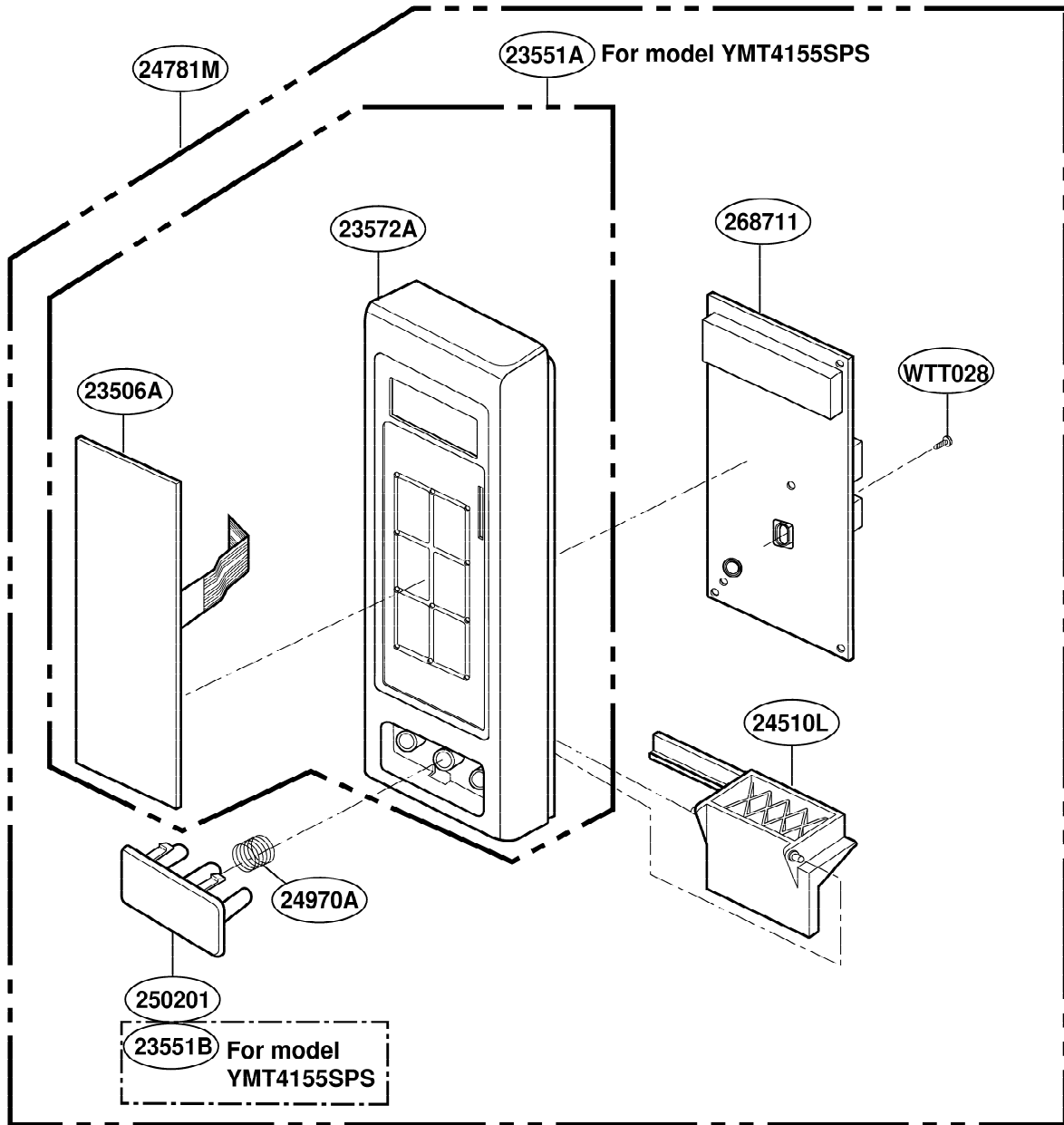


P/NO : 3828W5S5220

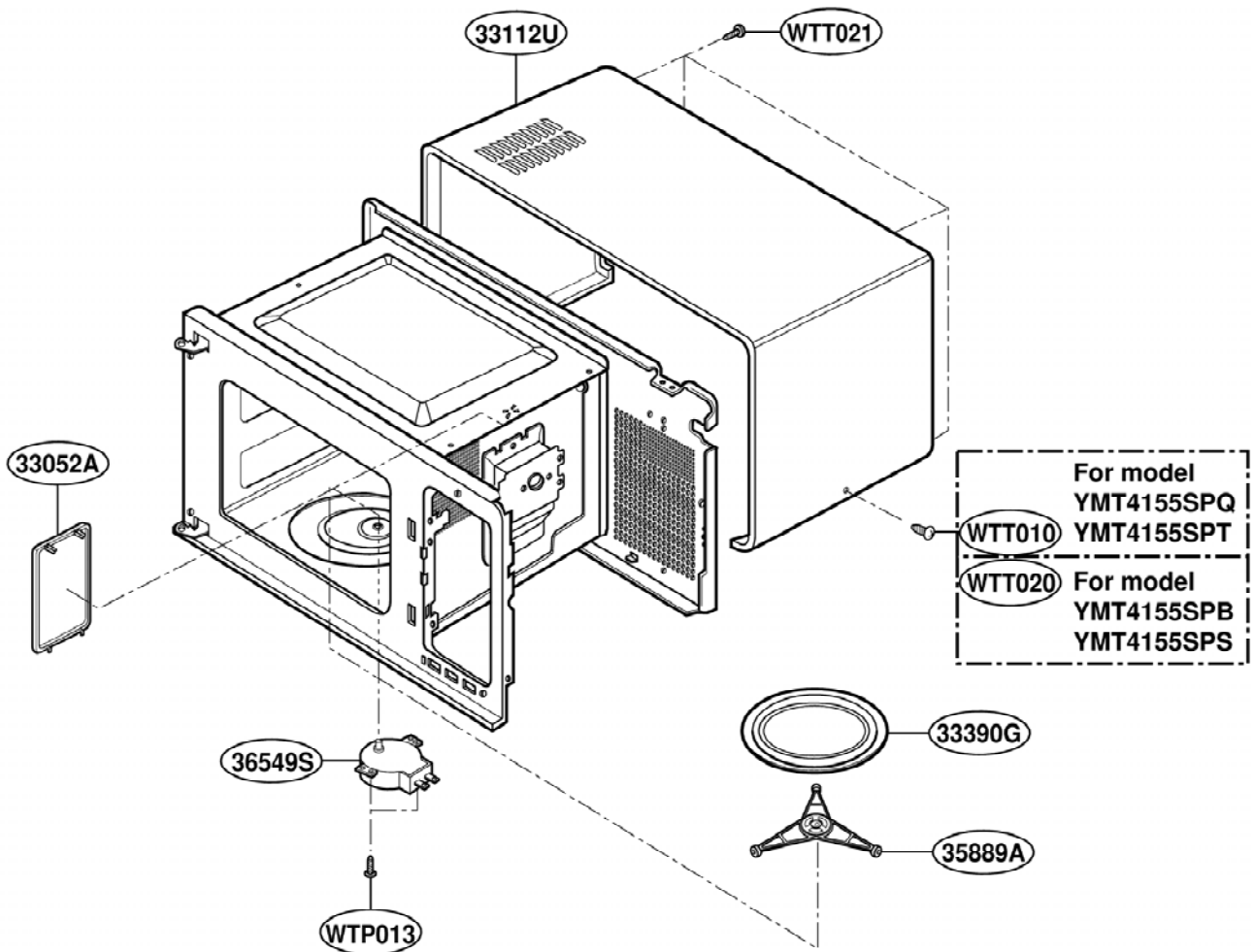
DOOR PARTS



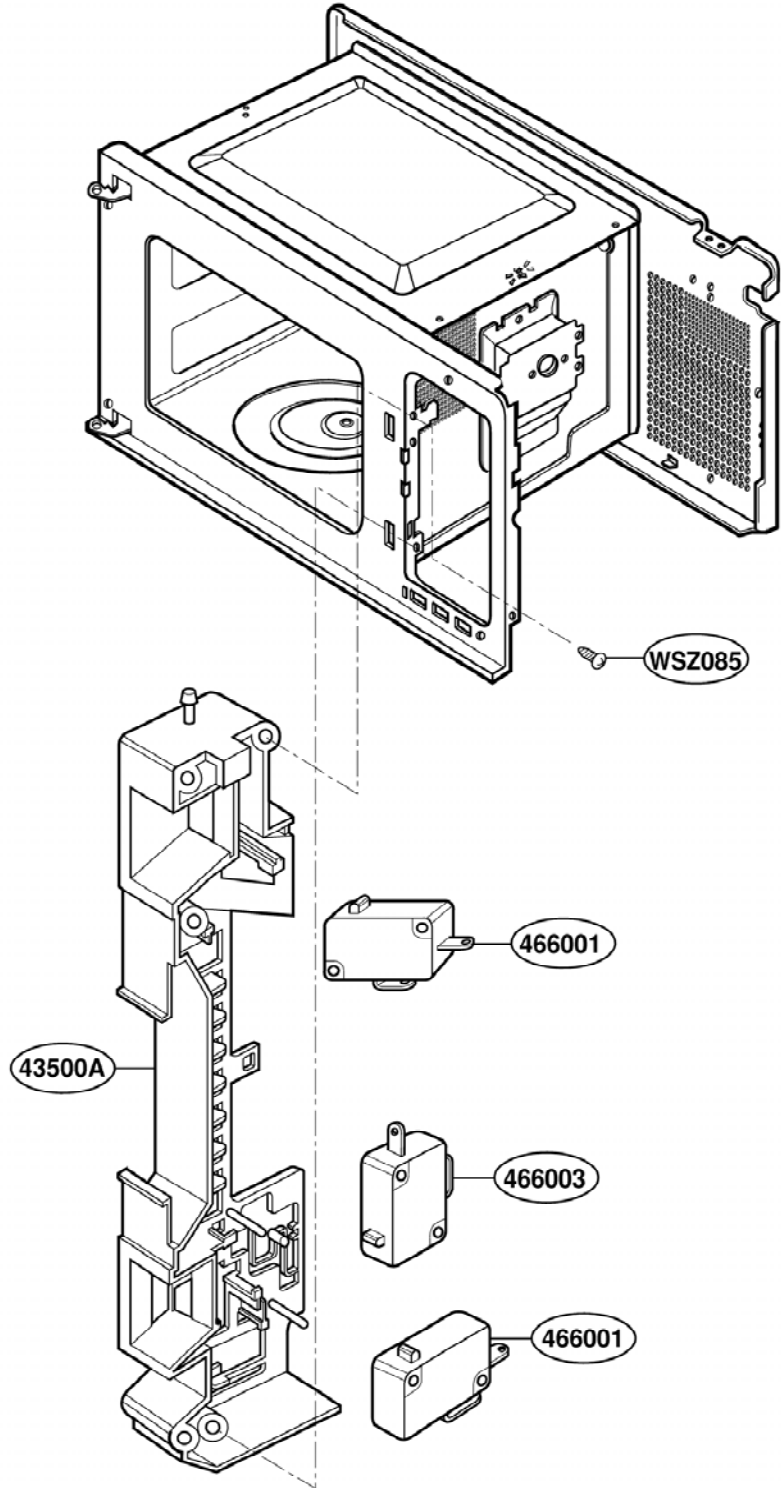
CONTROL PANEL PARTS



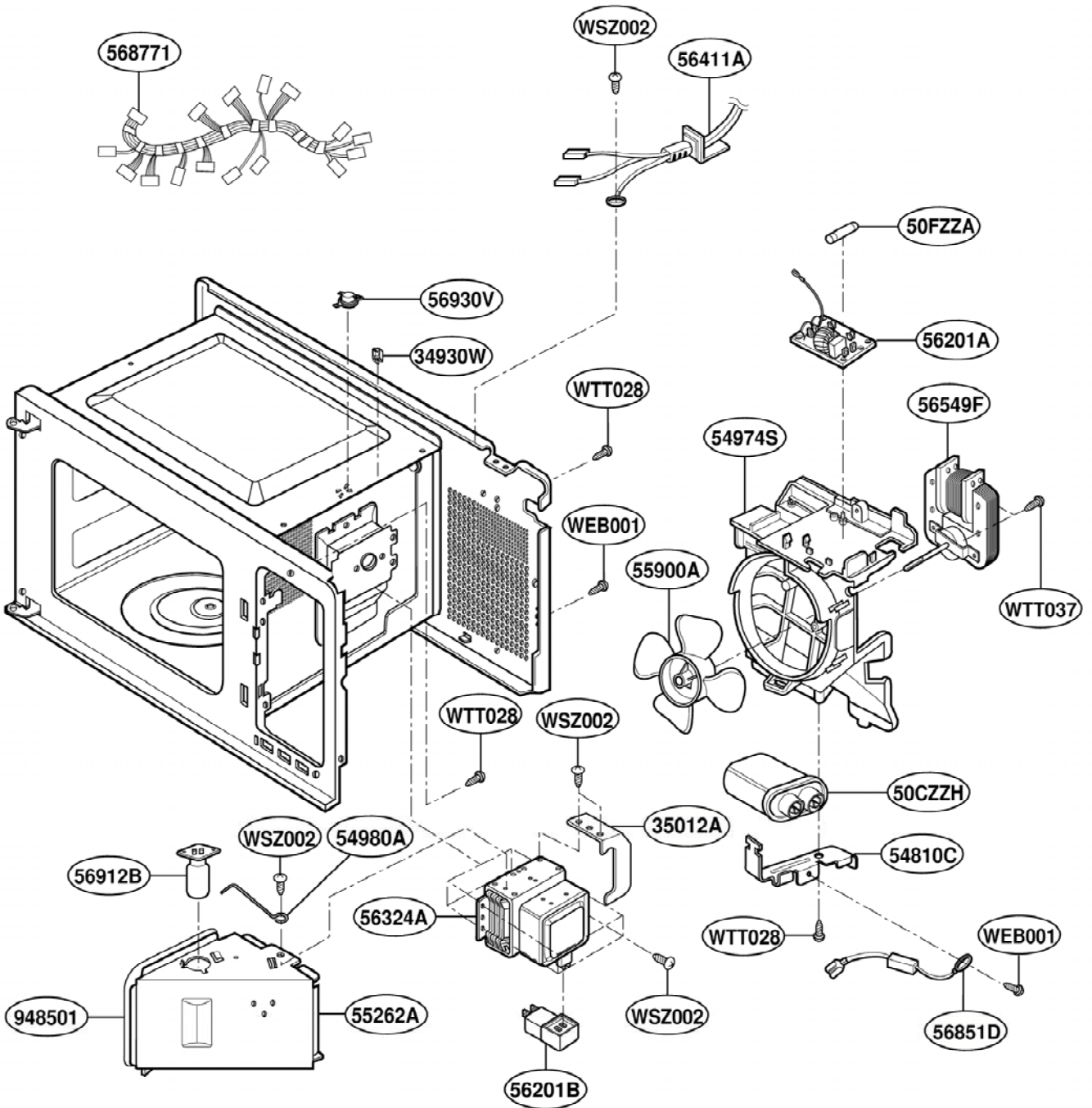
OVEN CAVITY PARTS



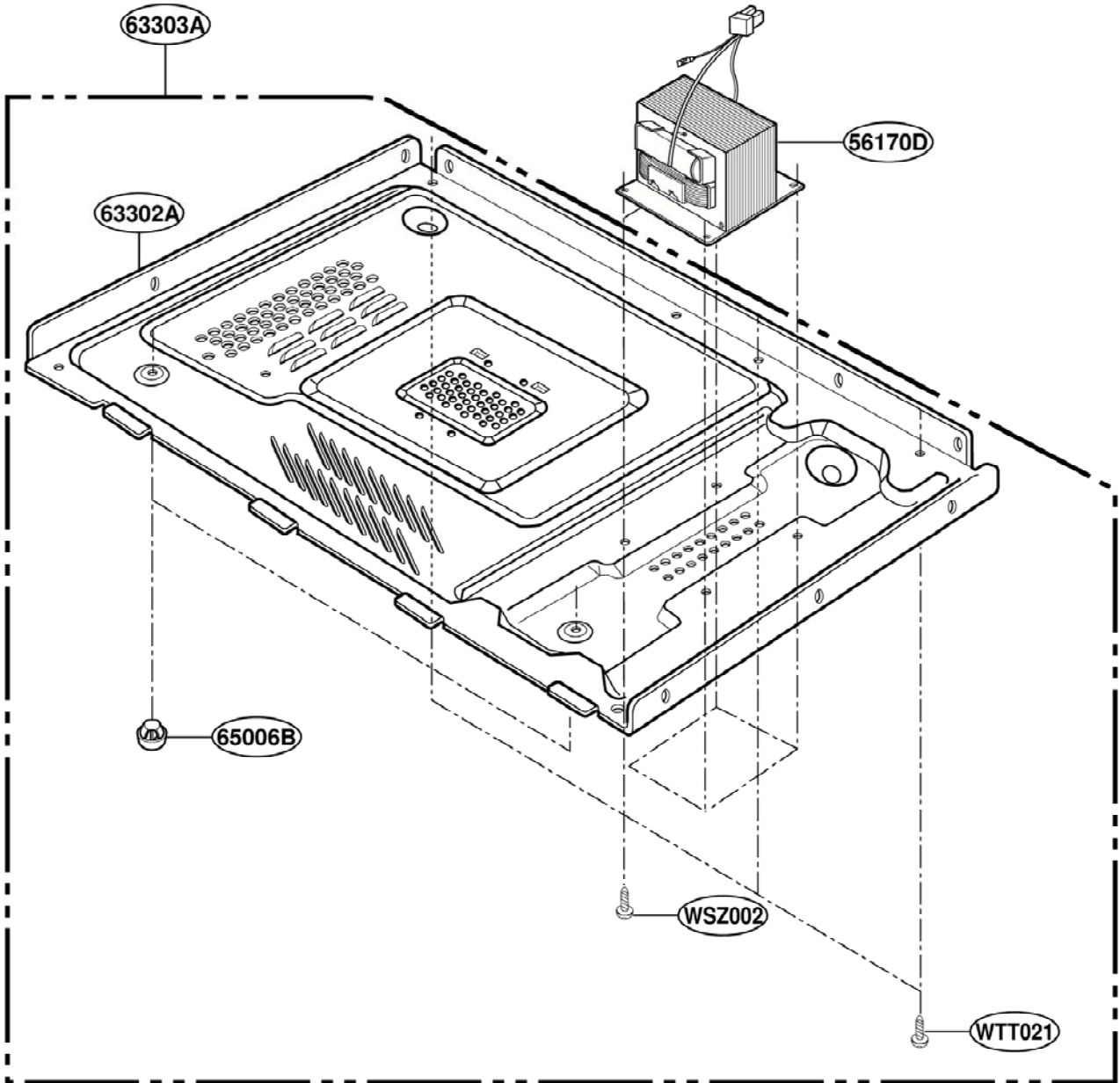
LATCH BOARD PARTS



INTERIOR PARTS



BASE PLATE PARTS



SENSOR PARTS

