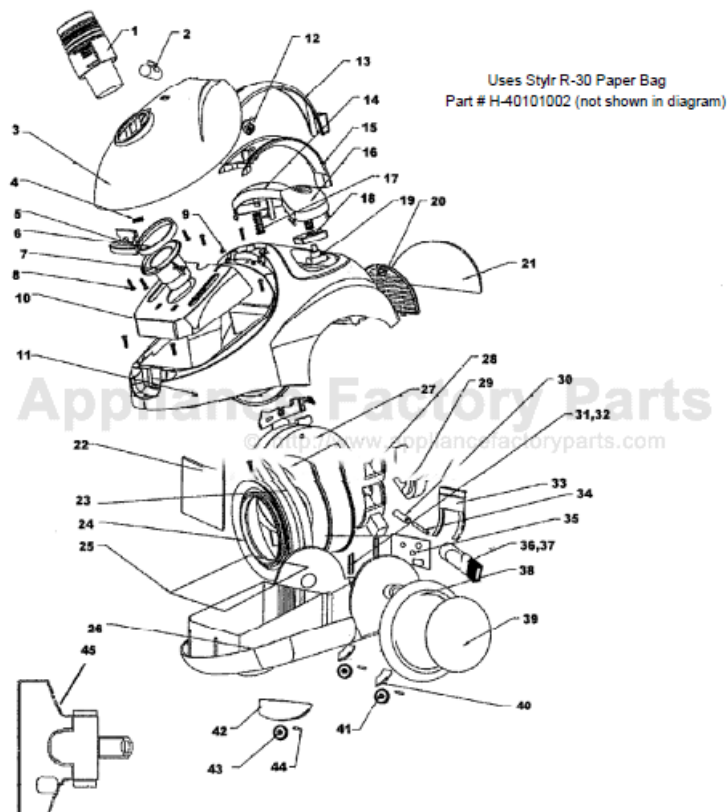


This Owner's Manual is provided and hosted by [Appliance Factory Parts](http://ApplianceFactoryParts.com).



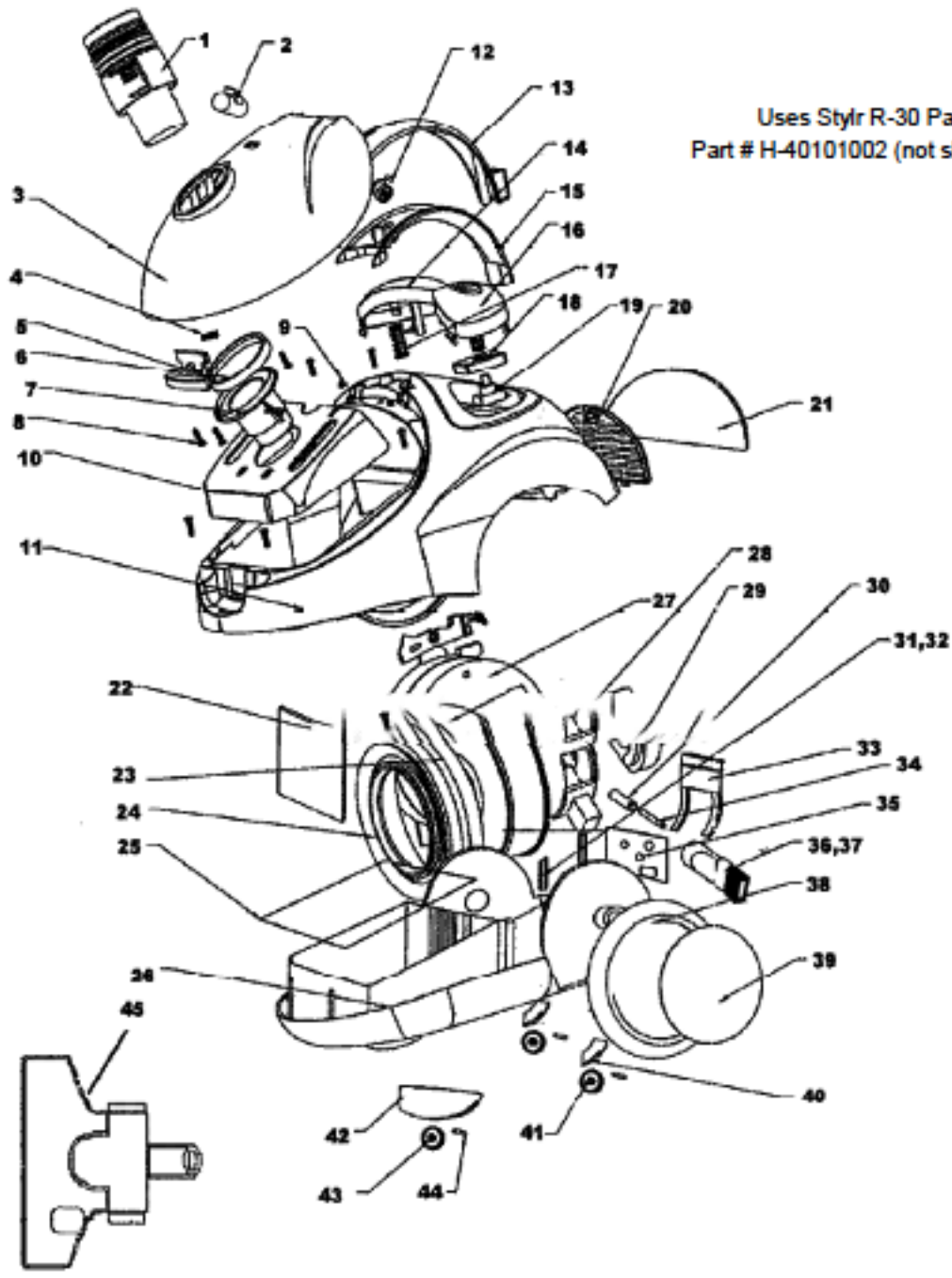
HOOVER S1361 Owner's Manual

[Shop genuine replacement parts for HOOVER S1361](#)



[Find Your HOOVER Vacuum Cleaner Parts - Select From 1456 Models](#)

----- Manual continues below -----



Uses Stylr R-30 Paper Bag
 Part # H-40101002 (not shown in diagram)

Model Number: S1361---
BOM/Serial #: S1361---
Graphic Title: COMPLETE UNIT

| Image | Key | Part Number | Description | Substitution | Qty. |
|-------|-----|-------------|-------------------------------|--------------|------|
| 1 | 1 | 59135248 | HOSE | | 1 |
| 1 | 2 | 59135215 | FULL BAG INDICATOR | | 1 |
| 1 | 3 | 59135216 | BAG COVER DOOR | | 1 |
| 1 | 4 | 59135217 | BAG DOOR LATCH SPRING | | 1 |
| 1 | 5 | 59135218 | BAG DOOR LATCH | | 1 |
| 1 | 6 | --- | NOT REQUIRED PART OR SEE NOTE | | 1 |
| 1 | 7 | --- | NOT REQUIRED PART OR SEE NOTE | | 1 |
| 1 | 8 | 59135205 | SCREW | | 6 |
| 1 | 9 | 59135220 | DOOR SPRING WEDGE | | 1 |
| 1 | 10 | 59135207 | BAG HOLDER | | 1 |
| 1 | 11 | 59135211 | UPPER HOUSING | | 1 |
| 1 | 12 | 59135212 | SPEED CONTROL KNOB | | 1 |
| 1 | 13 | 59135214 | Upper Hdl-S1361 | | 1 |
| 1 | 14 | 59135200 | CORD REEL PEDAL | | 1 |
| 1 | 15 | 59135213 | Lower Hdl-S1361 | | 1 |
| 1 | 16 | 59135201 | SWITCH PEDAL | | 1 |
| 1 | 17 | 59135202 | SPRING-PEDAL | | 1 |
| 1 | 18 | 59135209 | SWITCH COVER | | 1 |
| 1 | 19 | 59135210 | SWITCH | | 1 |
| 1 | 20 | 59135203 | EXHAUST GRILL | | 1 |
| 1 | 21 | 59135204 | EXHAUST FILTER | | 1 |
| 1 | 22 | 59135238 | SECONDARY FILTER | | 1 |
| 1 | 23 | 59135223 | FOAM MOTOR SEAL | | 1 |
| 1 | 24 | 59135230 | MOTOR SEAL | | 1 |
| 1 | 25 | 59135237 | BAG LID SEAL | | 1 |
| 1 | 26 | 59135247 | LOWER HOUSING | | 1 |
| 1 | 27 | 59135229 | CORD REEL | | 1 |
| 1 | 28 | 59135222 | MOTOR | | 1 |
| 1 | 29 | 59135221 | UPR MOTOR MOUNT | | 1 |
| 1 | 30 | 59135243 | CORD INLET ROLLER | | 1 |
| 1 | 31 | 59135225 | WIRE SEAL-LONG | | 1 |
| 1 | 32 | 59135236 | WIRE SEAL-SHORT | | 1 |
| 1 | 33 | 59135226 | CORD GUIDE | | 1 |
| 1 | 34 | 59135244 | ROLLER PIN | | 2 |
| 1 | 35 | 59135227 | SPEED CONTROL BOARD | | 1 |

| Image | Key | Part Number | Description | Substitution | Qty. |
|-------|-----|-------------|-------------------------------|--------------|------|
| 1 | 36 | 59135231 | CREVICE TOOL | | 1 |
| 1 | 37 | 59135232 | BRUSH | | 1 |
| 1 | 38 | 59135245 | REAR WHEEL | | 2 |
| 1 | 39 | 59135246 | WHEEL COVER | | 2 |
| 1 | 40 | 59135234 | WHEEL CARRIAGE | | 1 |
| 1 | 41 | 59135235 | LWR REAR WHEEL | | 2 |
| 1 | 42 | --- | NOT REQUIRED PART OR SEE NOTE | | 1 |
| 1 | 43 | 59135239 | CASTER WHEEL | | 2 |
| 1 | 44 | 59135240 | CASTER WHEEL AXLE | | 2 |
| 1 | 45 | 59136026 | FLR NOZZLE COMP-S220 | | 1 |
| 1 | 45 | 59136049 | FLR NOZZLE BRUSH ONLY | | 2 |
| 1 | 46 | 59135208 | SCREW-SW CVR | | 1 |
| 1 | 46 | 40101002 | FILTER BAGS-R30(12) | | 1 |
| 1 | 46 | 59135219 | SCREW HDL | | 4 |
| 1 | 46 | 59135224 | INSUL PAPER | | 1 |
| 1 | 46 | 59135233 | SCREW WHEEL CARRIAGE | | 2 |
| 1 | 46 | 59135249 | TELE EXT TUBE | | 1 |
| 1 | 47 | 59135252 | MANUAL OWNERS | | 1 |