

This Owner's Manual is provided and hosted by [Appliance Factory Parts](#).

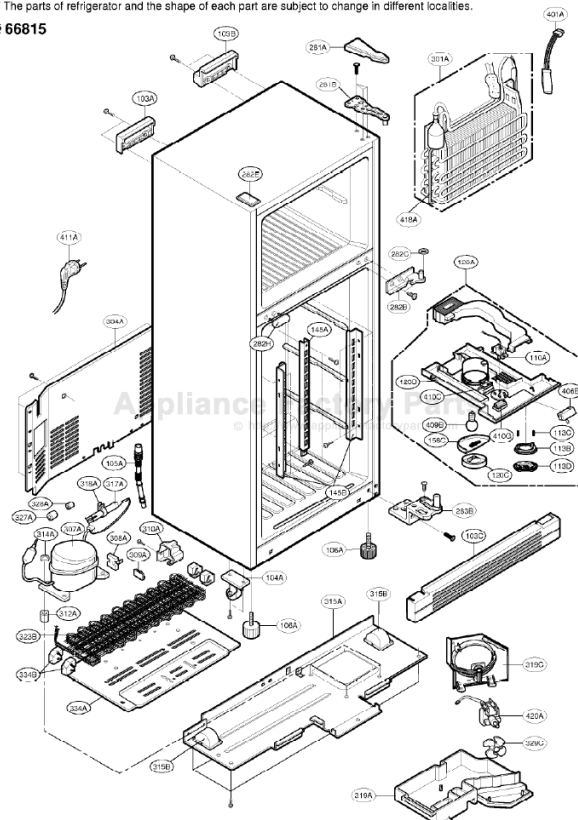


Kenmore 46_66815 Owner's Manual

[Shop genuine replacement parts for Kenmore 46 66815](#)

▼ The parts of refrigerator and the shape of each part are subject to change in different localities.

66815



[Find Your Kenmore Refrigerator Parts - Select From 665 Models](#)

----- Manual continues below -----

7. EXPLODED VIEW & REPLACEMENT PARTS LIST

▼ The parts of refrigerator and the shape of each part are subject to change in different localities.

46 66815

