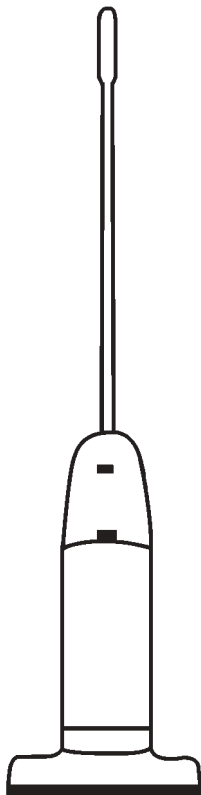


EUREKA



Lightweight Vacuum Cleaner

Household Type

Owner's Guide 160 Series

For location of nearest
Eureka Warranty Station
or Service Information
call 1-800-282-2886.

Index

Important Safeguards	2
Service Information	4
Identify Parts	5
Assemble	5
Use	6
Dust Cup	7
Motor Filter	8
Customer Order	9
Warranty	11

IMPORTANT SAFEGUARDS

When using an electric appliance, basic precautions should always be followed, including the following:

READ ALL INSTRUCTIONS BEFORE USING THIS VACUUM CLEANER

WARNING

To reduce the risk of fire, electric shock, or injury:

- Do not use outdoors or on wet surfaces.
- Do not leave vacuum cleaner when plugged in. Turn off the switch and unplug the electrical cord when not in use and before servicing.
- Do not allow to be used as a toy. Close attention is necessary when used by or near children.
- Use only as described in this manual. Use only manufacturer's recommended attachments.
- Do not use with damaged cord or plug. If vacuum cleaner is not working as it should, has been dropped, damaged, left outdoors, or dropped into water, return it to a service center before using.
- Do not pull or carry by cord, use cord as a handle, close a door on cord or pull cord around sharp edges or corners. Do not run vacuum cleaner over cord. Keep cord away from heated surfaces.
- Do not use extension cords or outlets with inadequate current carrying capacity.
- Turn off all controls before unplugging.
- Do not unplug by pulling on cord. To unplug, grasp the plug, not the cord.
- Do not handle plug or vacuum cleaner with wet hands.
- Do not put any object into openings. Do not use with any opening blocked; keep free of dust, lint, hair, and anything that may reduce airflow.
- This vacuum cleaner creates suction. Some models contain a revolving brush roll. Keep hair, loose clothing, fingers, and all parts of body away from openings and moving parts.
- Do not pick up anything that is burning or smoking, such as cigarettes, matches, or hot ashes.
- Do not use without motor filter in place.
- Use extra care when cleaning on stairs.
- Do not use to pick up flammable or combustible liquids such as gasoline, or use in areas where they may be present.
- Store your cleaner indoors in a cool, dry area.
- Keep your work area well lighted.
- Unplug electrical appliances before vacuuming them.

SAVE THESE INSTRUCTIONS

CONSEILS DE SÉCURITÉ

Lors de l'utilisation d'un appareil électrique, quelques précautions élémentaires doivent être observées, incluant les suivantes:

LISEZ TOUTES LES INSTRUCTIONS AVANT D'UTILISER VOTRE ASPIRATEUR.

AVERTISSEMENT

Pour réduire le risque de feu, de choc électrique ou blessure:

- N'utilisez pas à l'extérieur ou sur une surface mouillée.
- Ne quitte pas l'aspirateur lorsqu'il est branché. Fermer le poste et débrancher la corde électrique lorsqu'il n'est pas en marche et/ou avant de le repérer.
- N'utilisez pas comme un jouet. Portez attention lorsque vous l'utilisez près ou par un enfant.
- Utilisez seulement comme décrit dans ce livret. Utilisez seulement les accessoires recommandés par le fabricant.
- N'utilisez pas avec une corde ou prise endommagée. Si l'aspirateur ne fonctionne pas comme il le faut, s'il a été éjecté, endommagé, laisse à l'extérieur, ou éjecté dans l'eau, retournez l'aspirateur à un centre de réparation avant de s'en servir.
- Ne tirez pas et ne portez pas par la corde, utilisez la corde comme une poignée, fermez une porte sur la corde, ou tirez la corde autour des coins aigus. Ne passez pas l'aspirateur sur la corde. Éloignez la corde des surfaces chaudes.
- N'utilisez pas la corde électrique ou la prise de courant avec insuffisamment de capacité de courant.
- Fermez tout le contrôle avant de débrancher.
- Ne débranchez pas en tirant sur la corde. Pour débrancher saisissez la prise, non la corde.
- Ne touchez pas la prise ou l'aspirateur avec les mains mouillées.
- Ne mettez aucun objet dans les ouvertures. N'utilisez pas avec des ouvertures bouchées; gardez libre de poussière, tissu ouate, cheveux et n'importe quoi qui peut réduire le courant atmosphérique.
- Cet aspirateur crée de la succion. Certains modèles contiennent un rouleau-brosse tournant. Tenir les parties mobiles et les ouvertures loin des cheveux, des habits, des doigts et de toute partie du corps.
- Ne ramassez rien qui brûle ou fume, tel que cigarettes, allumettes, ou des cendres chaudes.
- N'utilisez pas sans le sac de poussière et filtre(s) en place.
- Utilisez des précautions lorsque vous nettoyez sur des escaliers.
- N'utilisez pas pour ramasser des liquides inflammables ou combustibles, tel que de l'essence, ou utilisez dans les endroits où ses vapeurs peuvent être présentes.
- Entrez votre aspirateur à l'intérieur dans un endroit propre et sec.
- Gardez votre lieu de travail bien éclairé.
- Débranchez les appareils électriques avant de les balayer.

CONSERVEZ CES INSTRUCTIONS

To reduce the risk of electric shock, this appliance has a polarized plug (one blade is wider than the other). This plug will fit in a polarized outlet only one way. If the plug does not fit fully into the outlet, reverse the plug. If it still does not fit, contact a qualified electrician to install the proper outlet. Do not change the plug in any way.

Afin de réduire le risque de choc électrique, cet appareil est muni d'une fiche polarisée (une des lames est plus large). Cette fiche ne peut être insérée dans une prise polarisée que d'une seule façon. Si la fiche ne peut être insérée dans la prise, retourner la fiche. Si la fiche ne peut toujours pas être insérée dans la prise, faire installer une prise adéquate par un électricien qualifié. Ne pas modifier la fiche.

GENERAL INFORMATION

Use the cleaner to pick up dirt and dust particles. Avoid picking up hard or sharp objects that could damage the vacuum cleaner.

Service Information

The instructions in this booklet serve as a guide to routine maintenance. For additional service information, telephone our toll free number for the nearest Eureka Authorized Warranty Station. **You should know the model, type and serial number or date code when you call:**

USA: 1-800-282-2886
Mexico: 254 23 52
Canada: 1-800-282-2886

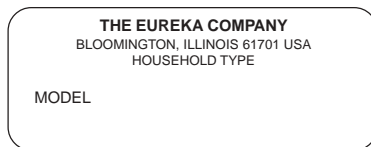
If you prefer, you can write to THE EUREKA COMPANY, Service Division, 1201 E. Bell Street, Bloomington, Illinois 61701. In Canada write to THE EUREKA COMPANY, 866 Langs Drive, Cambridge, Ontario N3H 2N7. Refer to The Eureka Warranty for complete service information.



Do Not Oil the motor or the brush roll. There is lubrication and a permanent seal.

Rating Plate

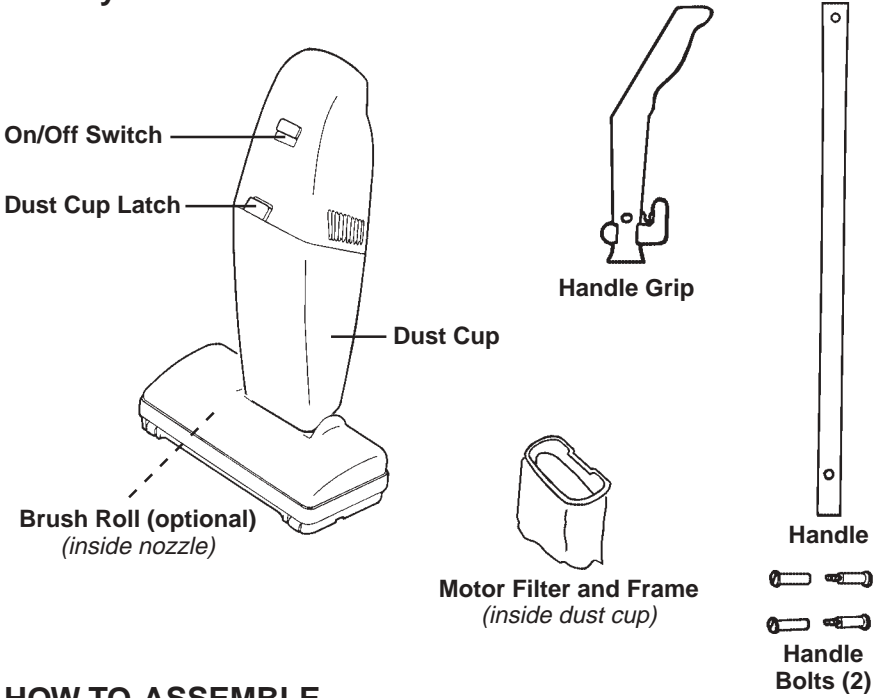
The rating plate on the back of the vacuum cleaner shows the model number. For prompt and complete service, always refer to these numbers.



Model and Type No. _____

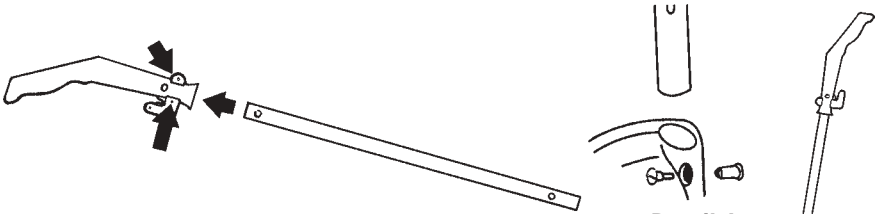
Serial No. or Date Code _____

Identify Parts



HOW TO ASSEMBLE

Assemble completely before using.



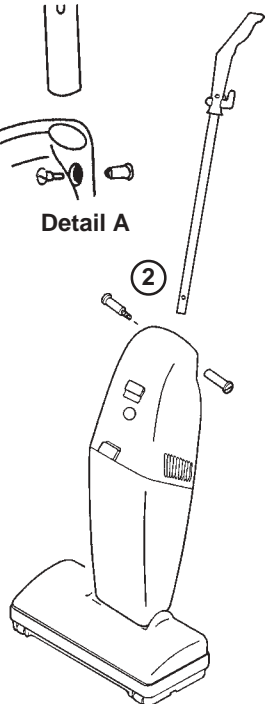
1. Attach Handle Grip

Slightly loosen the screws in the handle grip to insert the handle.

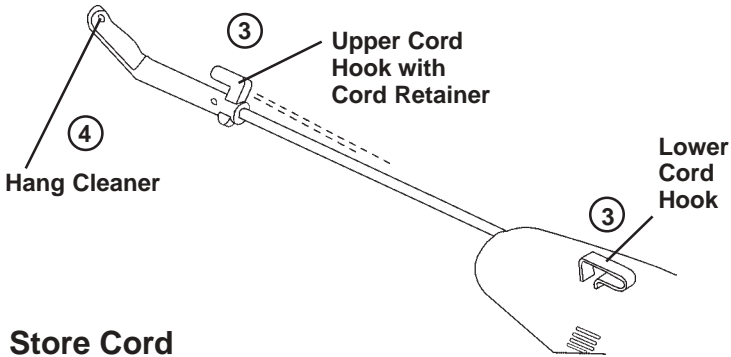
Align the hole and secure with a 2-part bolt, see Detail A. Tighten the screws.

2. Attach Handle

Push handle into top of cleaner. Align the hole and secure with the other 2-part bolt.



HOW TO ASSEMBLE (continued)



3. Store Cord

Pull up on the electrical cord. Push cord into cord retainer inside upper cord hook. Wrap cord around upper and lower cord hooks. Fasten plug to electrical cord to prevent unwinding.

4. Store Unit

Use the hole in the handle to hang the cleaner for storage.

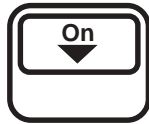
HOW TO USE

Use this lightweight vacuum cleaner for quick and easy cleaning. Move the nozzle over any floor covering to quickly clean dirt, lint or threads.

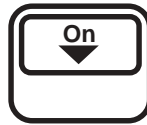
Power Switch

- All models:

Push switch down to turn on.
Push switch up to turn off.



Power Switch



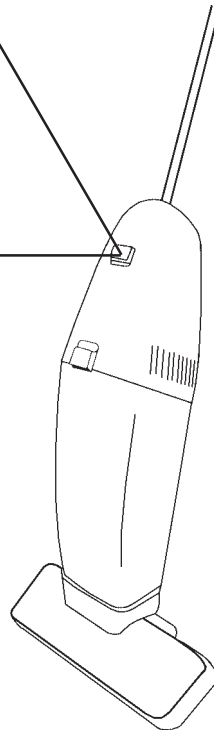
- Models with an optional brush roll feature:

Select Floor cleaning to stop the brush roll.

Select Carpet cleaning to start the brush roll.

Nozzle with Edge Kleener®

The nozzle turns down for regular or low profile cleaning. Airflow under the nozzle automatically directs suction to the edges and corners for maximum full width cleaning.



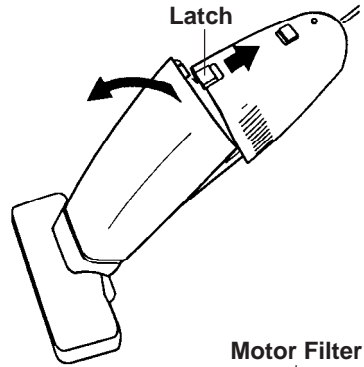
HOW TO MAINTAIN

The instructions in this booklet serve as a guide to routine maintenance. Keep the cleaner operating at top efficiency. Empty the dust cup and clean the filter after each use.

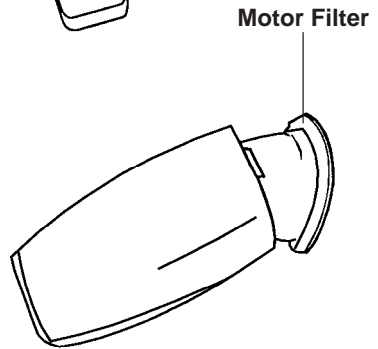
Empty Dust Cup

Note: Turn off the power switch and unplug the electrical cord to service.

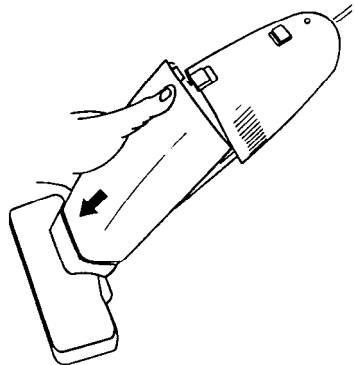
1. Slide dust cup latch up.
2. Pull dust cup from handle section and lift from the nozzle.



3. Grasp curve edge of motor filter and pull out to remove. *Clean motor filter (refer to motor filter section).*
4. Shake contents of dust cup into waste container.
5. Replace motor filter. Put flat side into dust cup. Press curve edge into place until the rim of motor filter rests on ribs inside dust cup.



6. Hold dust cup sides with thumbs near the latch.
7. Position dust cup over nozzle.
8. Wrap fingers to the back of the handle section. Gently squeeze the sections together until the dust cup latch locks the cup in place.



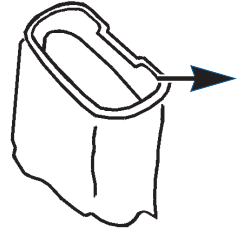
Clean Motor Filter

NOTE: Turn off the power switch and unplug the electrical cord to service.

Clean the motor filter after each cleaner use.

1. Shake and brush the dust and dirt from filter.
2. Pull back on rubber gasket to remove filter from the frame.
3. If desired launder the filter by hand in warm water (150°F 65°C) using a mild detergent.
4. Air dry thoroughly.
5. Replace filter over frame and secure the lip of the frame into the gasket.

**Pull filter away
from frame.**



Replace a dirty or torn filter. Order additional motor filters from The Eureka Company, Bloomington, IL 61701. Order motor filter, part number 37466.

Brush Roll (optional)

NOTE: Turn off the power switch and unplug the electrical cord to service.

The brush roll turns as it sweeps and combs the carpet nap. Remove any hairs, threads or obstructions from the brush roll area to keep the brush roll clean so it rotates properly.

Cleaner Care

NOTE: Turn off power switch and disconnect electrical cord to clean unit.

To keep the vacuum cleaner looking new, it can be wiped with a damp cloth and a mild soap solution, then thoroughly dried. Never use any type of chemical as chemicals can damage the cleaner.

S O L D T O

Name _____

Address (street address needed for UPS) _____

City _____ State _____ Zip _____

Telephone (Day) _____ (Eve) _____ (Fax) _____

S H I P T O

Name _____

Address (street address needed for UPS) _____

City _____ State _____ Zip _____

Telephone (Day) _____ (Eve) _____ (Fax) _____

To Order



By Phone
1-800-438-7352*

HOURS:
Call between 8 a.m. and 4:45 p.m. central standard time

By FAX
1-309-823-5789

*En Mexico
Llame 254 34 52

By Mail



Simply fill out this Order Form. Please be sure to include day and evening phone numbers.

Model Number _____

Type _____

Serial Number _____

Item	Part No.	Qty.	Price	Total
Genuine Eureka Parts (all 90 or 160 Series models)				
Motor Filter only	54948		3.99	
Filter Support only	13920-1		2.02	
Hand Duster	54685		6.97	
Genuine Eureka Parts (battery models only)				
Charger (all 90 series models)	26516-1		19.70	
Charger (all 93 series models)	27547-1		18.10	
Charger (all 94 series models)	26655-1		24.30	
Battery Pack (model 93B only)	38797-1		28.28	

Method of Payment (No C.O.D.s)

Check or money order (payable to The Eureka Company). Do not send currency.

Charge to my Visa (13/16 digits) MasterCard (13 digits) American Express (15 digits)

_____ Expiration date _____

Acct. number _____

Signature (Full name as shown on account) _____

TOTAL

Total (prices subject to change without notice)

Tax (add state and local taxes as required by law)

Postage and Handling Charge (Within the U.S.A.) **\$3.50**

THE EUREKA LIMITED WARRANTY

What This Warranty Covers

Your Eureka cleaner is warranted to be free from all defects in material and workmanship in normal household use for a period of one year. The warranty is granted only to the original purchaser and members of his or her immediate household. The warranty is subject to the following provisions.

What This Warranty Does Not Cover

- Parts of the cleaner that require replacement under normal use, such as disposable dust bags, filters, drive belts, light bulbs, and brush roll bristles.
- Damages or malfunctions caused by negligence, abuse, or use not in accordance with the Owner's Guide.
- Defects or damages caused by unauthorized service or the use of other than Genuine Eureka parts.

What The Eureka Company Will Do

The Eureka Company will, at its option, repair or replace a defective cleaner or cleaner part that is covered by this warranty. As a matter of warranty policy, the Eureka Company will not refund the consumer's purchase price.

Warranty Registration

Please fill out and return the warranty registration card accompanying your cleaner.

Obtaining Warranty Service

To obtain warranty service you must return the defective cleaner or cleaner part along with proof of purchase to any Eureka Authorized Warranty Station. You will find the nearest location in the Yellow Pages, under "Vacuum Cleaners—Service and Repair." Be certain that the Warranty Station is "Eureka Authorized."

For the location of the nearest Eureka Authorized Warranty Station or for service information, telephone toll free:

USA: 1-800-282-2886

Mexico: 254 23 52

Canada: 1-800-282-2886

If you prefer, you can write to THE EUREKA COMPANY, Service Division, 1201 East Bell Street, Bloomington, Illinois 61701. In Canada write to THE EUREKA COMPANY, 866 Langs Drive, Cambridge, Ontario N3H 2N7.

If it is necessary to ship the cleaner outside your community to obtain warranty repair, you must pay the shipping charges to the Eureka Authorized Warranty Station. Return shipping charges will be paid by the Warranty Station. When returning parts for repair, please include the model, type, and serial numbers from the data plate on the cleaner.

Further Limitations and Exclusions

Any warranty that may be implied in connection with your purchase or use of the cleaner, including any warranty of Merchantability or any warranty for Fitness For A Particular Purpose is limited to the duration of this warranty. Some states do not allow limitations on how long an implied warranty lasts, so the above limitations may not apply to you.

Your relief for the breach of this warranty is limited to the relief expressly provided above. In no event shall Eureka be liable for any consequential or incidental damages you may incur in connection with your purchase or use of the cleaner. Some states do not allow the exclusion or limitation of incidental or consequential damages, so the above limitation or exclusion may not apply to you.

This warranty gives you specific legal rights. You may also have other rights which vary by state.



Questions & Answers about Genuine Eureka Products

Q: Why should I use only Genuine Eureka paper bags, belts, and parts in my Eureka vacuum cleaner?

A: Using Genuine Eureka Products, which are made to our exacting specifications and engineered with emphasis on quality, performance, and customer satisfaction, ensures the long life and cleaning efficiency of your vacuum cleaner. Overall, this saves you money and helps to keep your home clean.

Q: How can I be sure I am using only Genuine Eureka products in my vacuum cleaner?

A: Typically, packaged products and paper bags can be identified by a "Genuine Eureka Product" symbol (see illustration above). For further identification assistance, you may call our toll-free number, 1-800-282-2886, for the location of a nearby Eureka Authorized Warranty Station.

Q: Are there any differences between "made to fit" or "imitation" and Genuine Eureka paper bags, belts, and parts?

A: Yes, there are some very important differences in materials, quality, and reliability. Many customers have mistakenly purchased "imitation" paper bags and parts while thinking they purchased genuine. Unfortunately, many of these customers discovered the differences after they experienced related difficulties.

Household Warranty
abs 190

For Genuine Eureka Value, Accept No Imitations!

THE EUREKA COMPANY

Bloomington, Illinois 61701