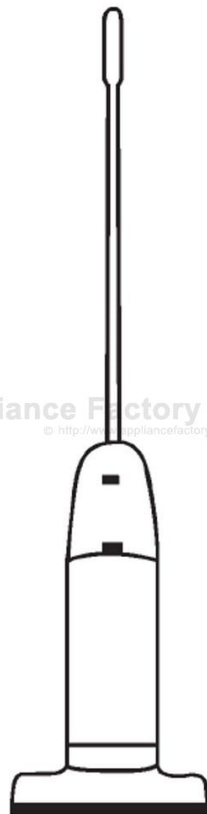


This Owner's Manual is provided and hosted by [Appliance Factory Parts](#).



# Eureka 161A Owner's Manual

[Shop genuine replacement parts for Eureka 161A](#)



Appliance Factory Par  
© <http://www.appliancefactoryparts.com>

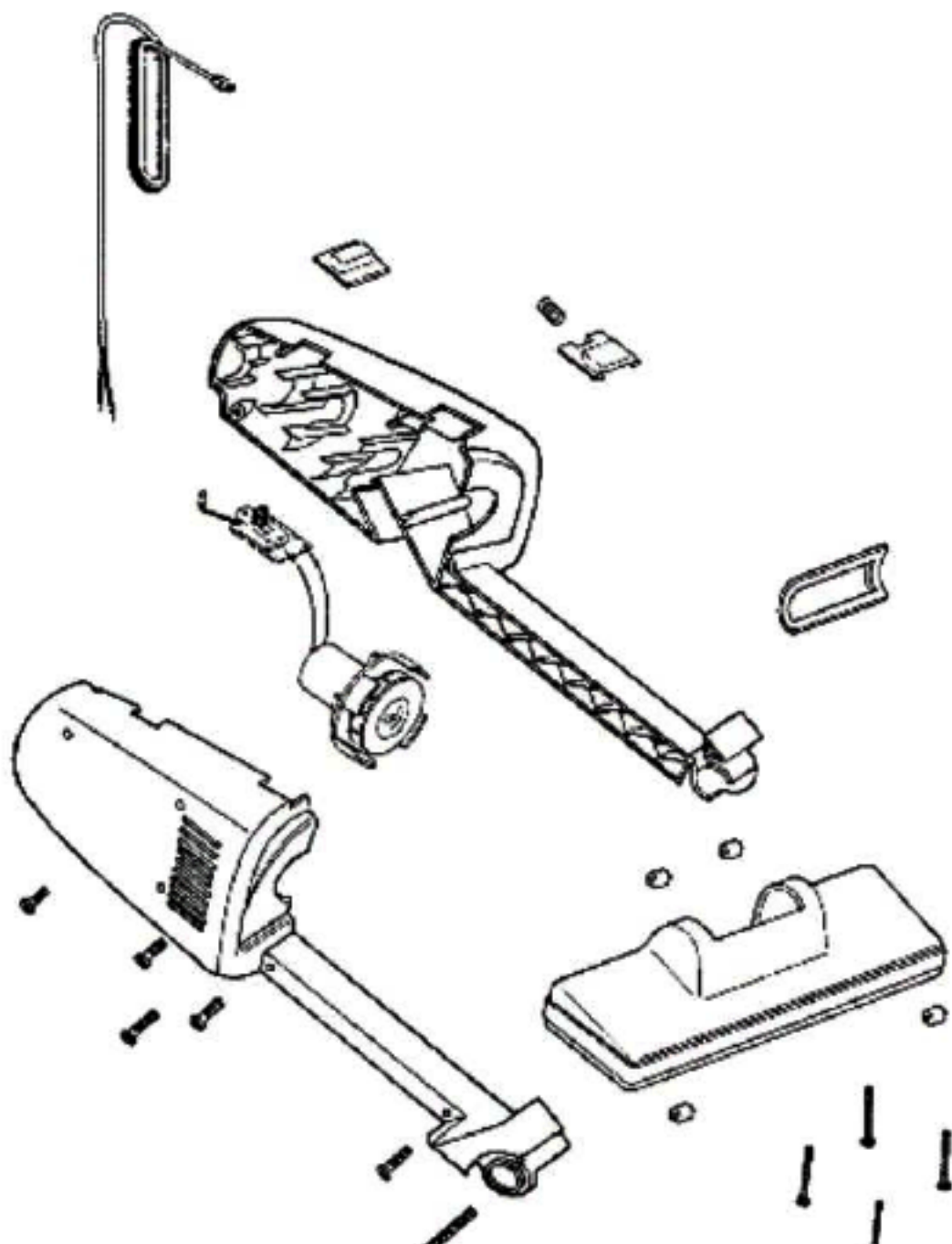
[Find Your Eureka Vacuum Cleaner Parts - Select From 855 Models](#)

----- Manual continues below part list -----

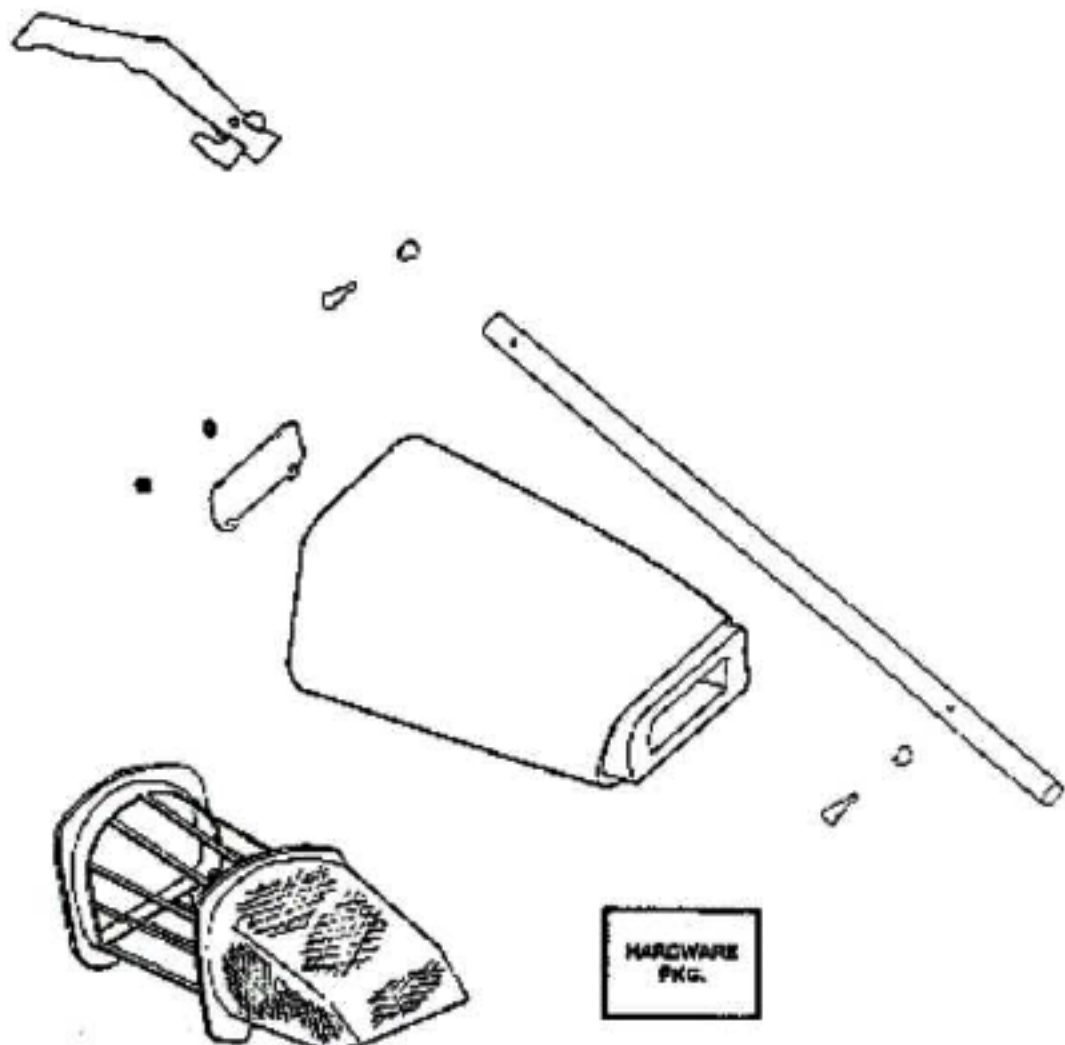
**Available Replacement Parts for Eureka 161A**

[E-55692](#)

RETAINER RING, DIRT FLAP FOR EUREKA



Ref #	Part	Description	Comments	Qty
1	37457	SEAL		
2	53292-1	SCREW PACKAGE		
3	53292-2	SCREW PACKAGE		
4	55794	SPRING		
5	60042	REAR WHEEL & AXLE - PKGD		
6	60043	FRONT WHEEL & AXLE - PKGD		



HARDWARE  
PKG.

Ref #	Part	Description	Comments	Qty
1	38625	HANDLE ASSY		
2	55692	RING - PUSH-ON		
3	13920-1	SUPPORT - FILTER		
4	37466-1	FILTER PACKAGE		
5	58570	HARDWARE PACKAGE		
6	56004	SCREW/NUT PACKAGE		
7	56003	SCREW/NUT PACKAGE		
8	56019	SCREW/NUT PACKAGE		