

This Owner's Manual is provided and hosted by [Appliance Factory Parts](#).



# WHIRLPOOL GM8155XJB Owner's Manual

[Shop genuine replacement parts for WHIRLPOOL  
GM8155XJB](#)



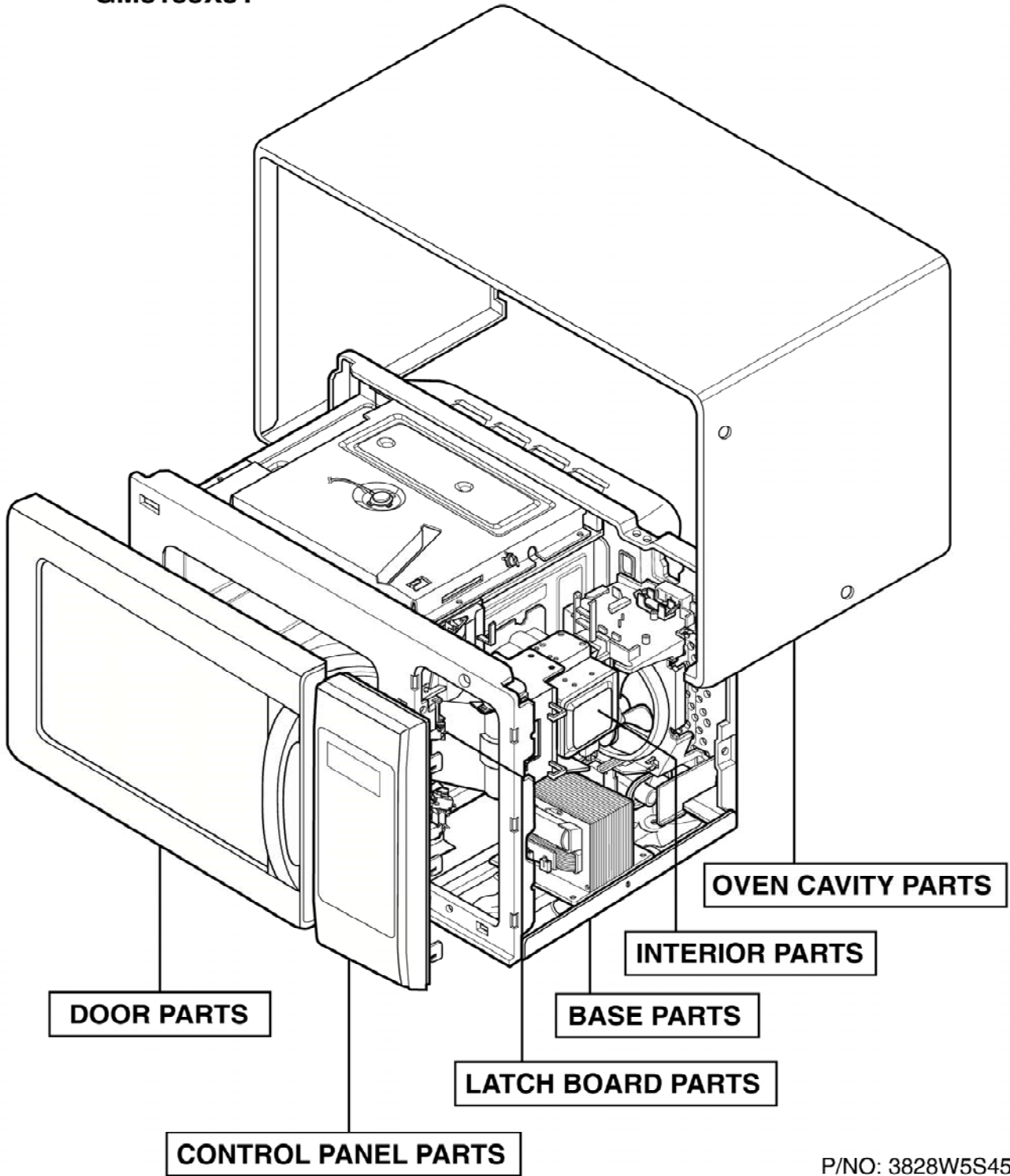
[Find Your WHIRLPOOL Microwave Parts - Select From 1350 Models](#)

----- Manual continues below -----

# EXPLODED VIEW

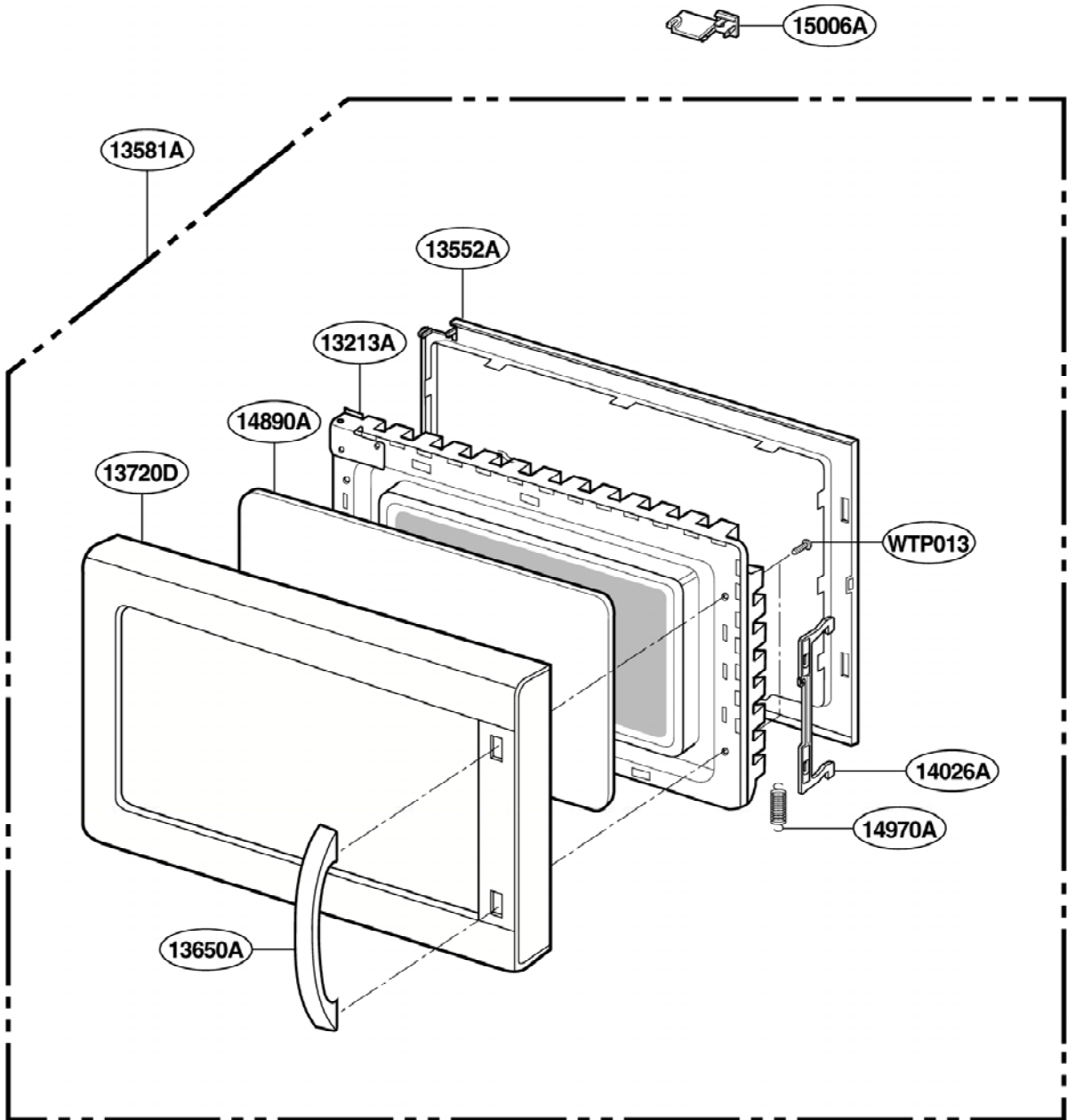
## INTRODUCTION

Model : GM8155XJB  
GM8155XJQ  
GM8155XJT

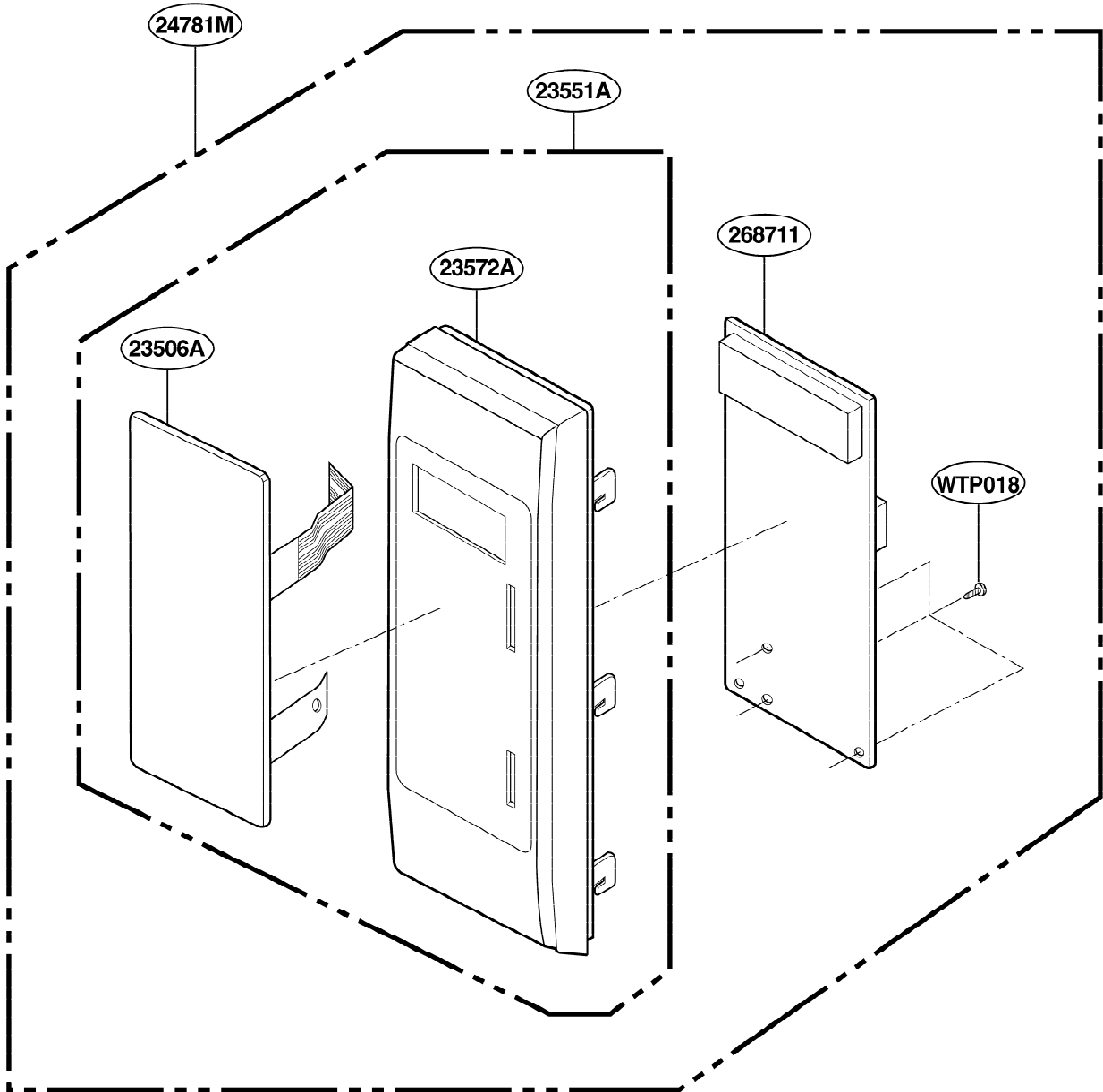


P/NO: 3828W5S4596

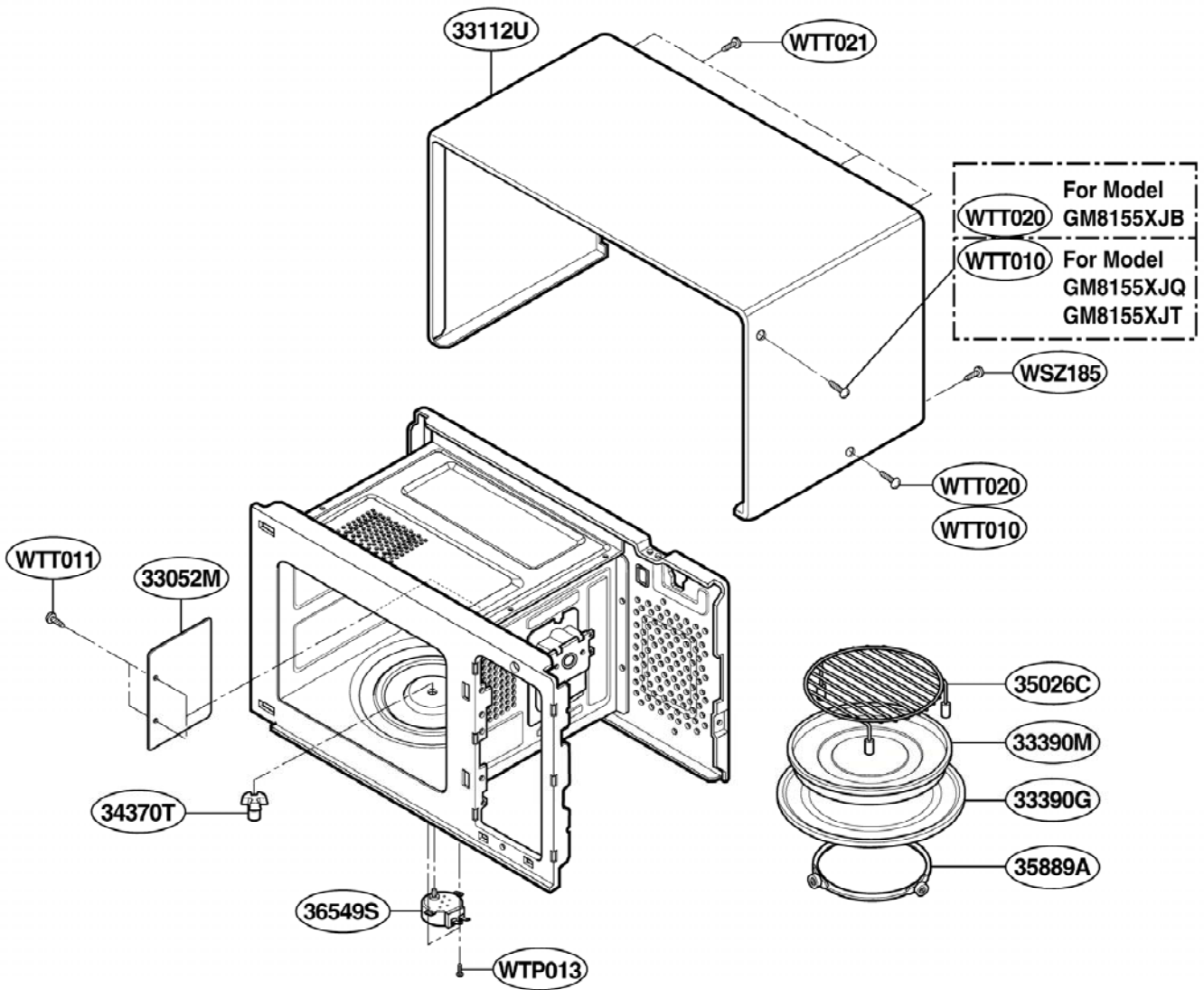
# DOOR PARTS



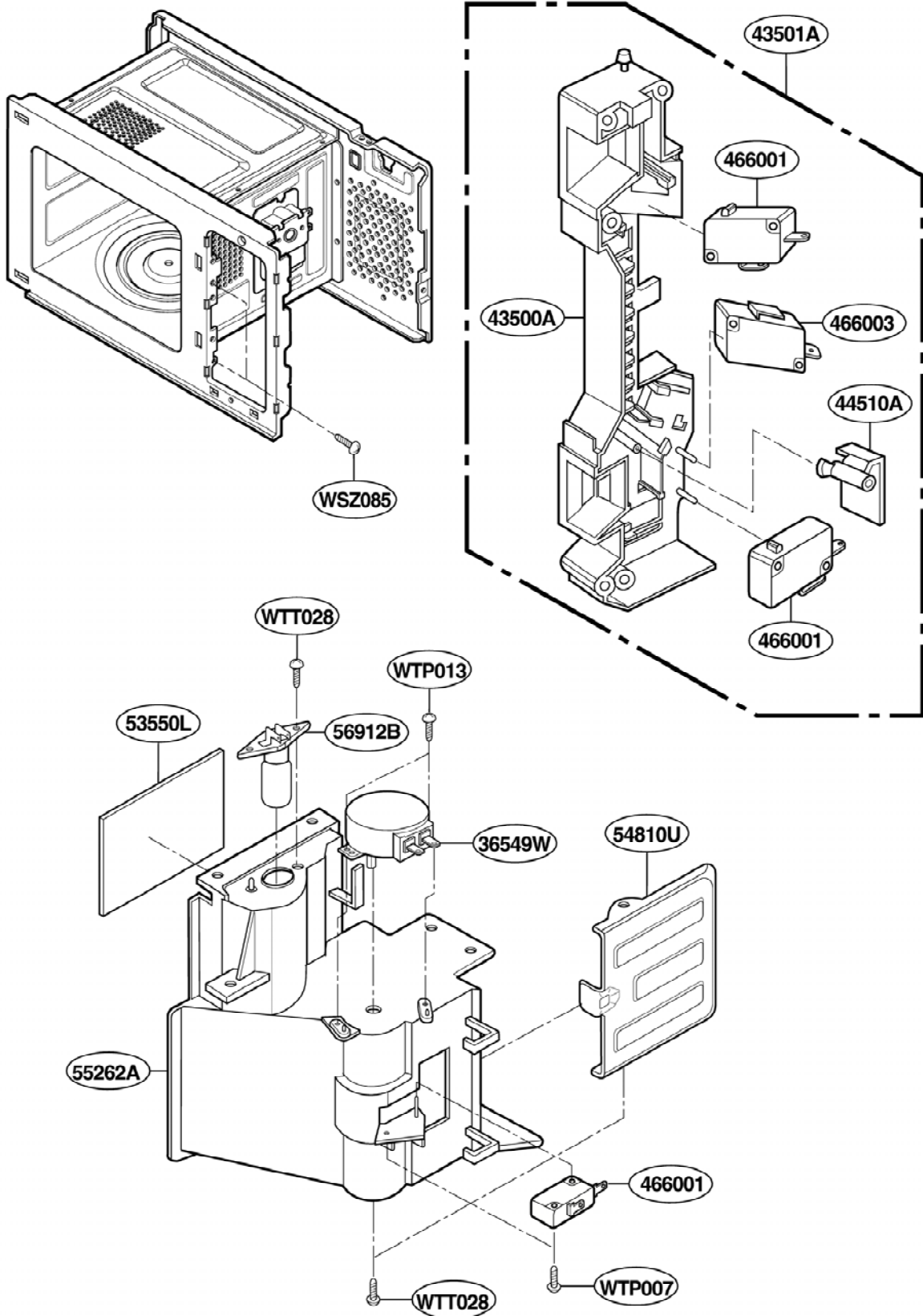
# CONTROL PANEL PARTS



# OVEN CAVITY PARTS



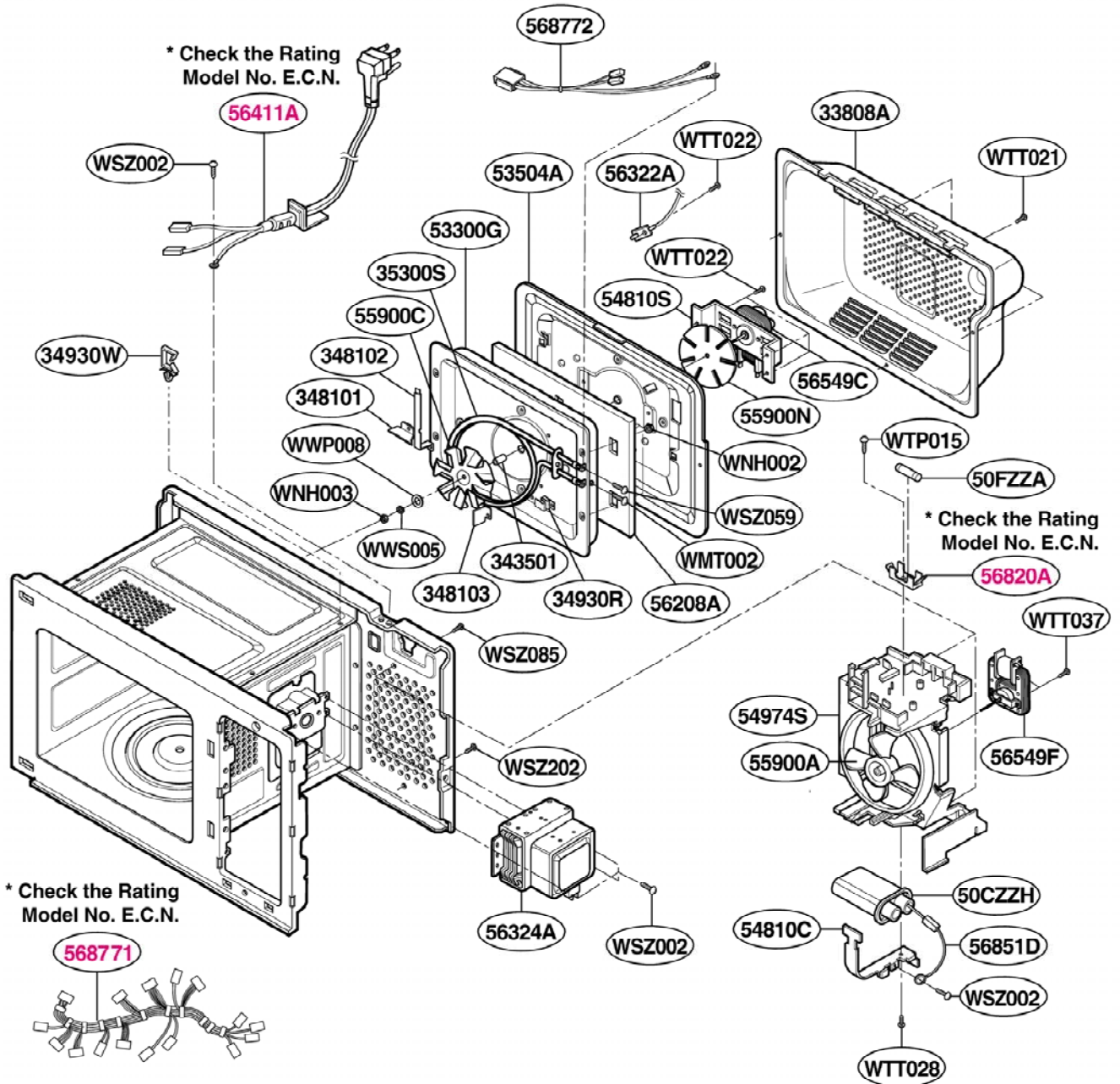
# SUCTION GUIDE PARTS



# INTERIOR PARTS (I)

Model: GM8155XJB 0  
GM8155XJQ 0  
GM8155XJT 0

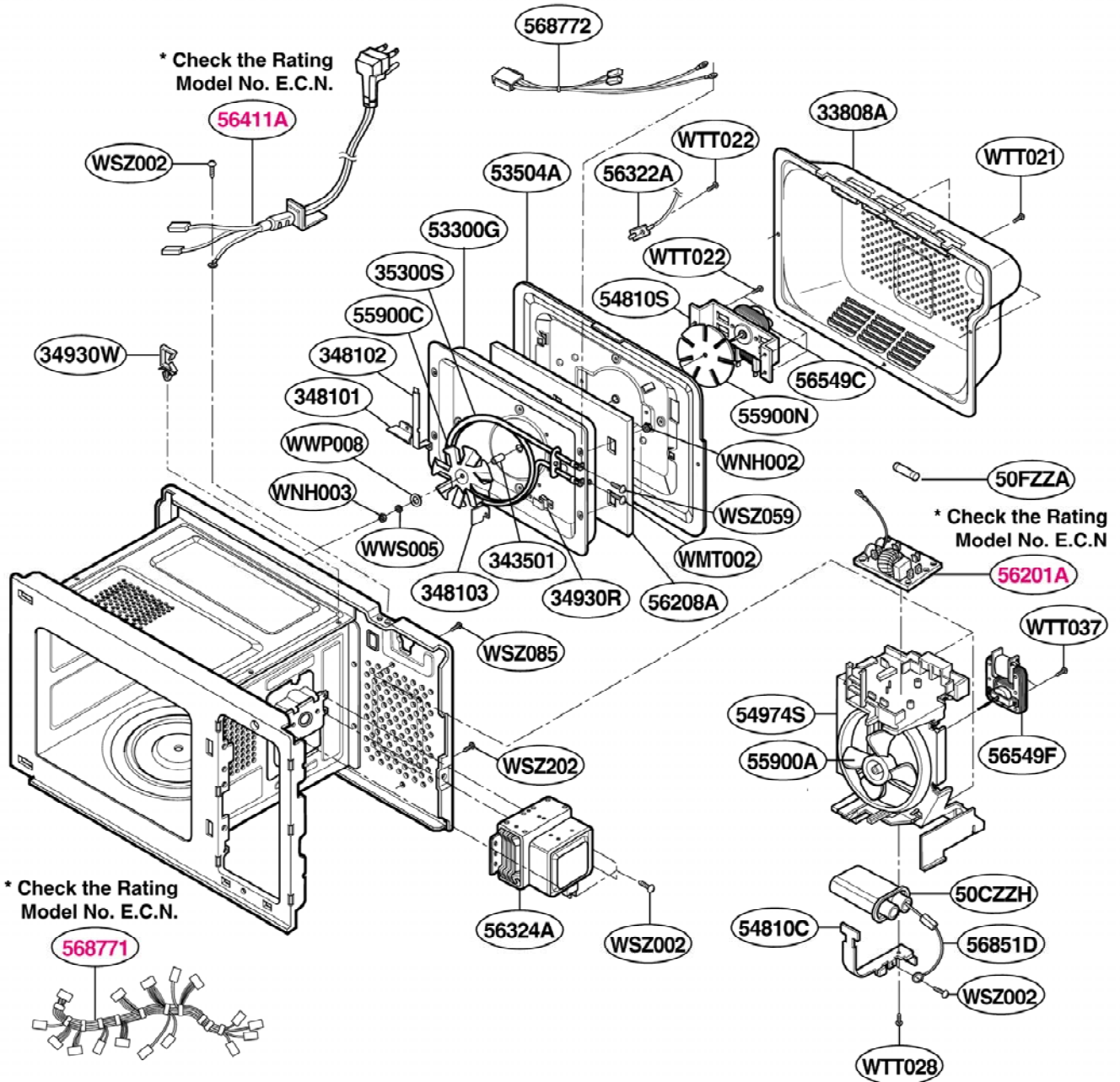
Check the rating label of **Model** and order SVC parts according to the **Model No. E.C.N.**



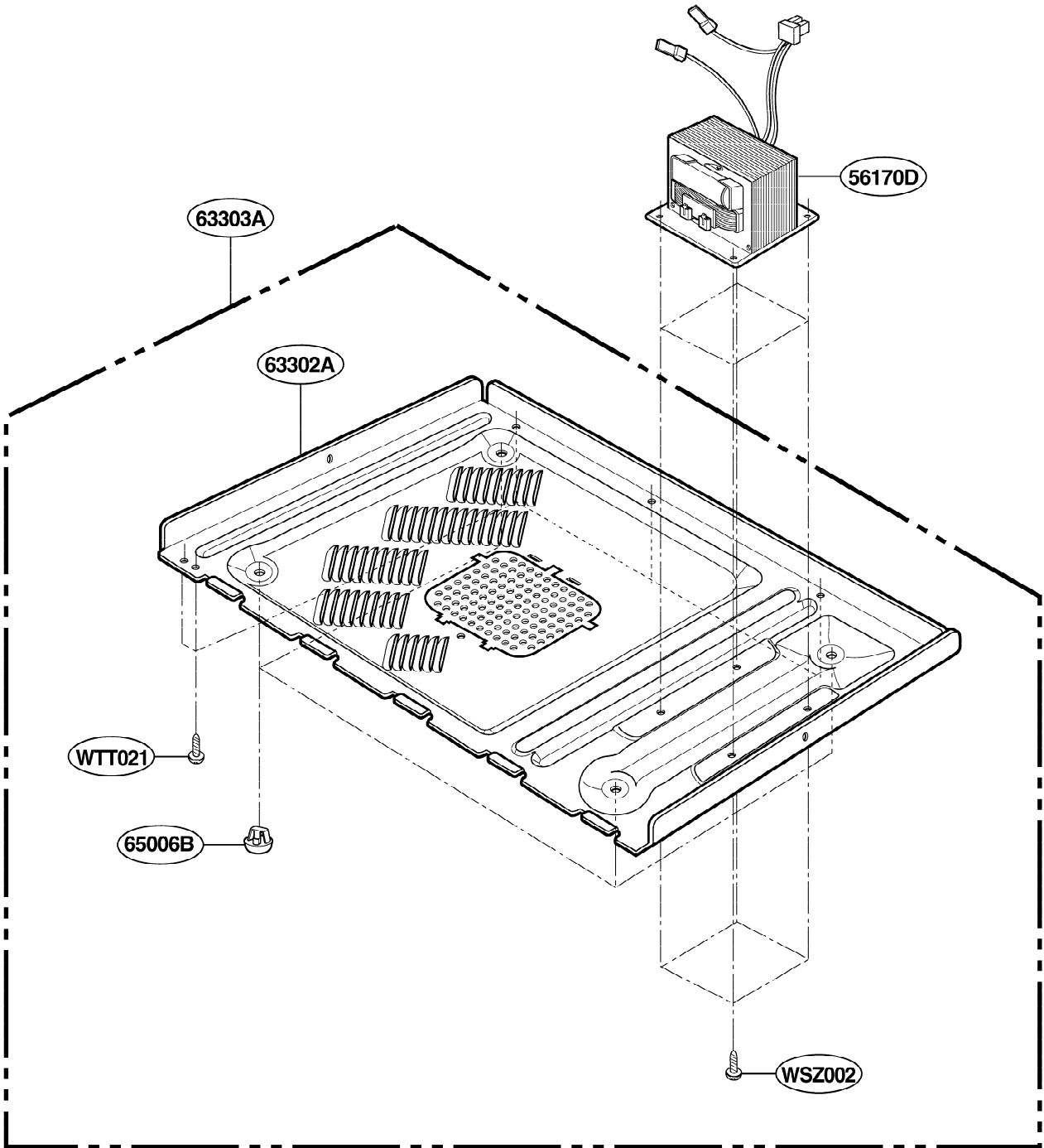
# INTERIOR PARTS (II)

Model: GM8155XJB 1  
GM8155XJQ 1  
GM8155XJT 1

Check the rating label of **Model** and order SVC parts according to the **Model No. E.C.N.**



# BASE PLATE PARTS



# SENSOR PARTS

