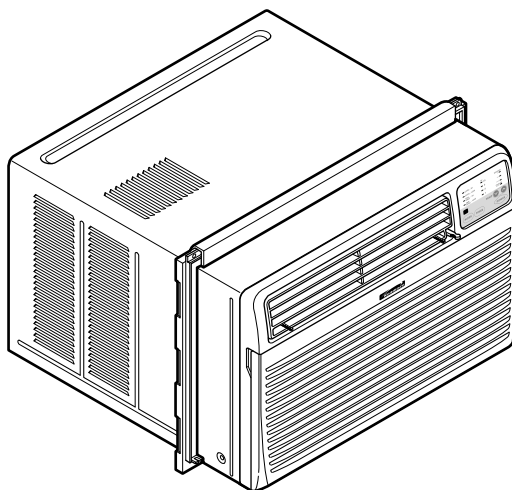


SEARS

Kenmore[®]
ROOM AIR CONDITIONER

REPAIR PARTS LIST

Model No.
580.75180700



To Call
Toll Free
For Parts:

1-800-366-PART
(1-800-366-7278)

For Service:

1-800-4-MY-HOME
(1-800-469-4663)

The model number of your Air Conditioner can be found on the right side of the cabinet.

All repair parts listed are available for immediate purchase or special order when you visit your nearest Sears Service Center, or the Service Department at most Sears stores. To order parts by phone, call the toll free parts number listed to the left.

When requesting service or ordering parts, always provide the following information:

- | | |
|----------------|--------------------|
| ◆ Product Type | ◆ Part Number |
| ◆ Model Number | ◆ Part Description |

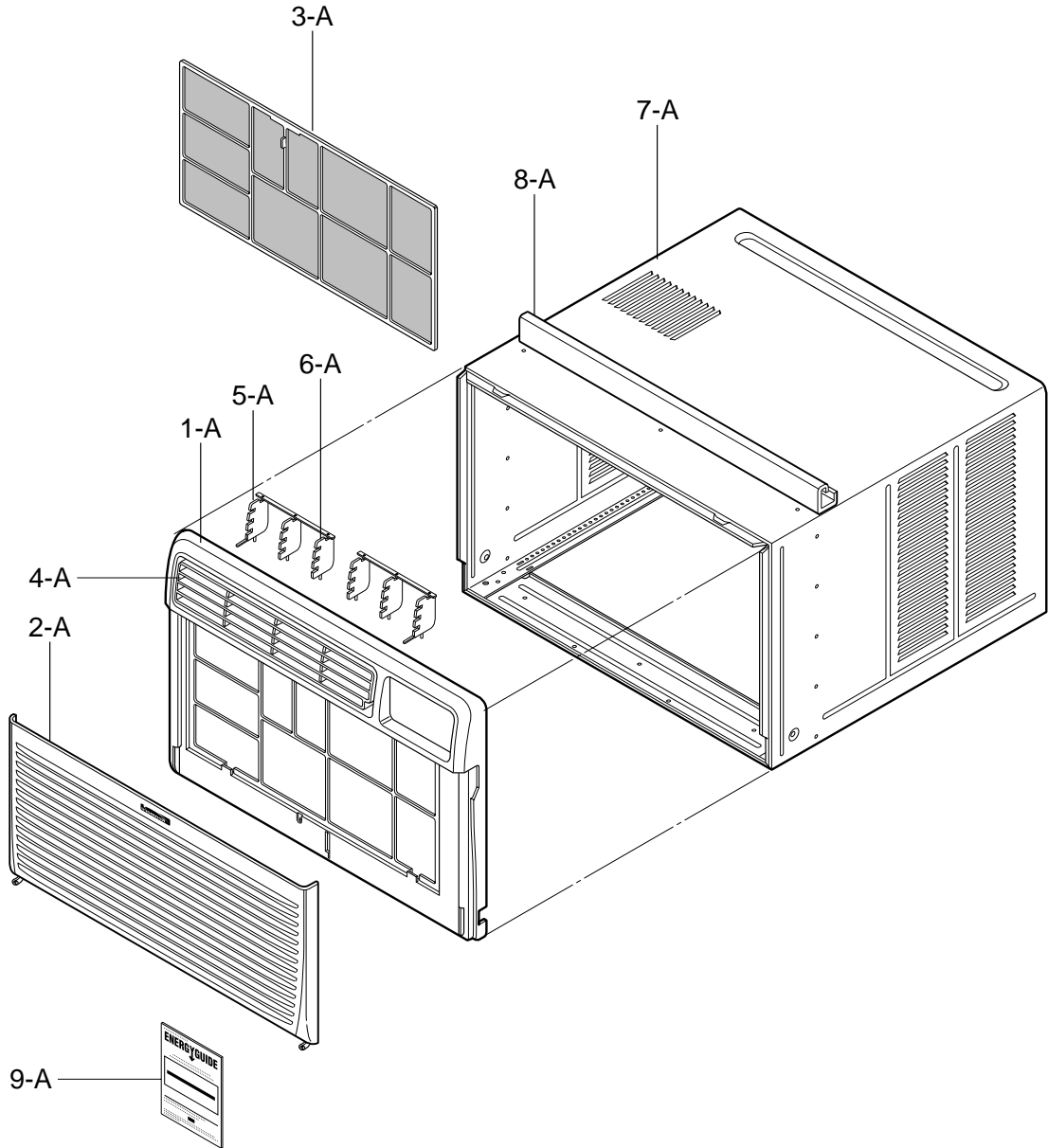
REPAIR PARTS

Room Air Conditioner
Model No. 580.75180700

To order Parts call Toll Free
1-800-4-MY-HOME®(1-800-469-4663)

CAUTION: Use the Kenmore part number on all orders, **not** the illustration number.

CABINET & FRONT GRILLE ASSEMBLY



CAUTION: Use the Kenmore part number on all orders, **not** the illustration number.

CABINET & FRONT GRILLE ASSEMBLY

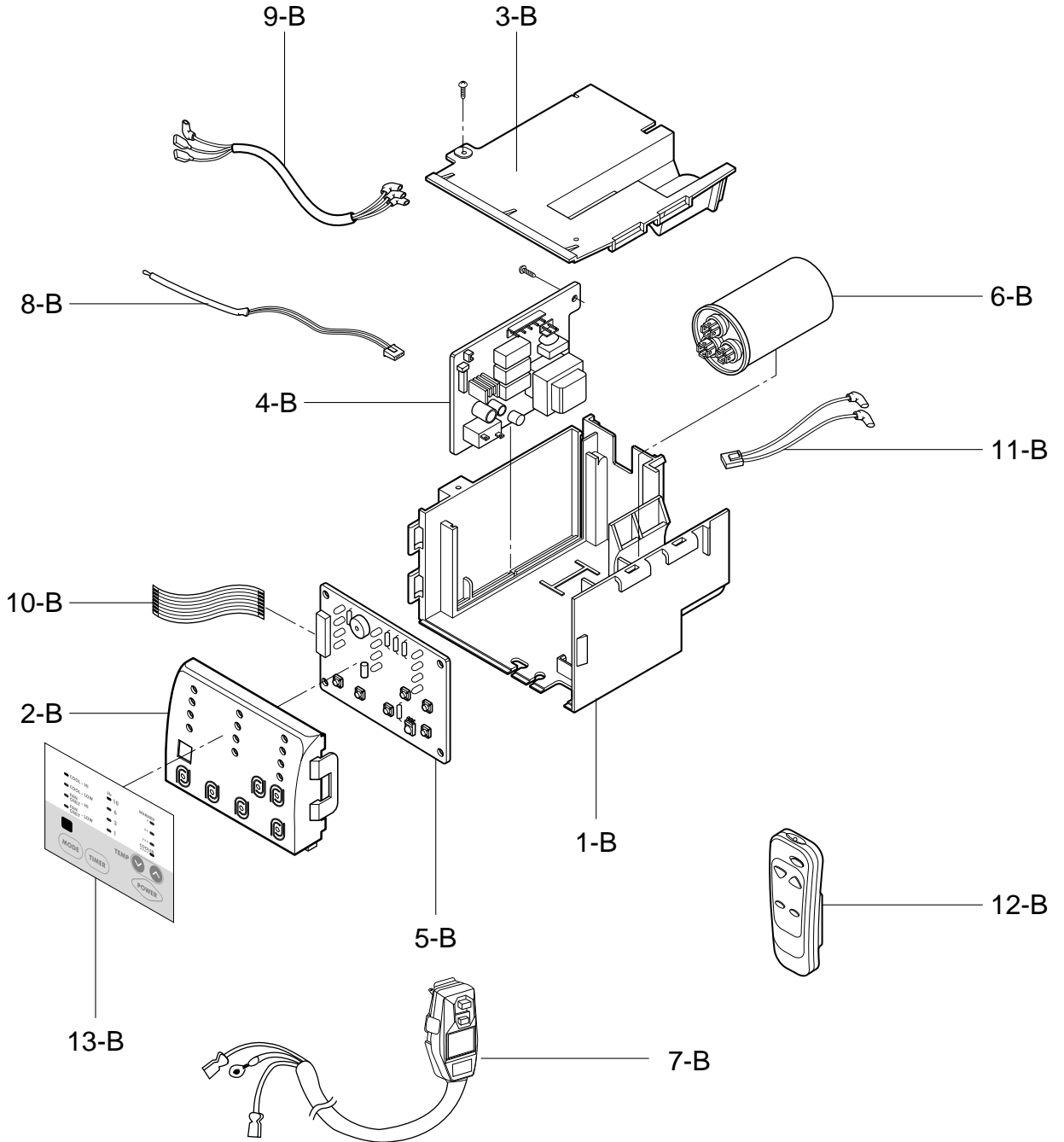
ILLUSTRATION NUMBER	PART NUMBER	DESCRIPTION
1 - A	3530A20045A	FRONT GRILLE
2 - A	3530A10231A	INLET GRILLE
3 - A	5231A20008A	AIR FILTER ASSEMBLY
4 - A	4758A30022A	VANE
5 - A	4758A20042A	LOUVER
6 - A	4758A20042B	LOUVER
7 - A	3091AR6057R	CABINET ASSEMBLY
8 - A	2H00858D	UPPER GUIDE
9 - A	3850A27114Q	LABEL, ENERGY
*	3828A21007F	MANUAL OWNER'S

= Functional Parts

* = Non-illustrated Parts

CAUTION: Use the Kenmore part number on all orders, **not** the illustration number.

CONTROL BOX ASSEMBLY



CAUTION: Use the Kenmore part number on all orders, **not** the illustration number.

CONTROL BOX ASSEMBLY

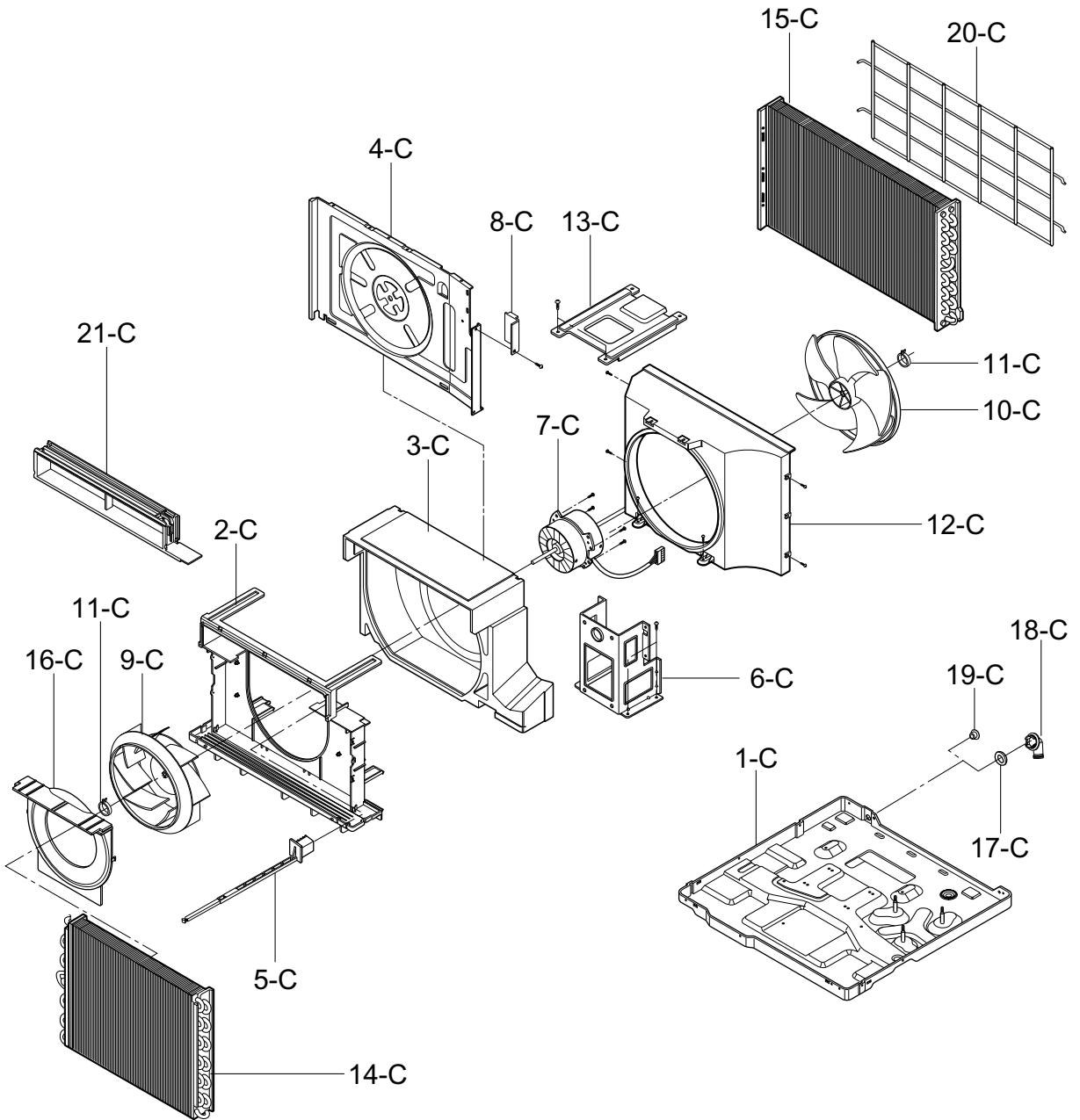
ILLUSTRATION NUMBER	PART NUMBER	DESCRIPTION
1 - B #	4994A20045A	CONTROL BOX
2 - B	3720A20267A	PANEL, CONTROL
3 - B	3550A30122A	COVER, CONTROL BOX
4 - B	6871A20617M	PWB ASSEMBLY, MAIN
5 - B #	6871A20533A	PWB ASSEMBLY, DISPLAY
6 - B	6120AR2194F	CAPACITOR
7 - B	6411A20056P	POWER CORD ASSEMBLY
8 - B	6323A20012C	THERMISTOR ASSEMBLY
9 - B	6631AR3843V	CONNECTOR ASSEMBLY
10 - B	6850A90001G	CABLE FLAT
11 - B	6631A30003A	CONNECTOR ASSEMBLY
12 - B	6711A20089C	REMOTE CONTROL
13 - B	3831A20097C	ESCUTCHEON

= Functional Parts

* = Non-illustrated Parts

CAUTION: Use the Kenmore part number on all orders, **not** the illustration number.

AIR HANDLING & CYCLE PARTS



CAUTION: Use the Kenmore part number on all orders, **not** the illustration number.

AIR HANDLING & CYCLE PARTS

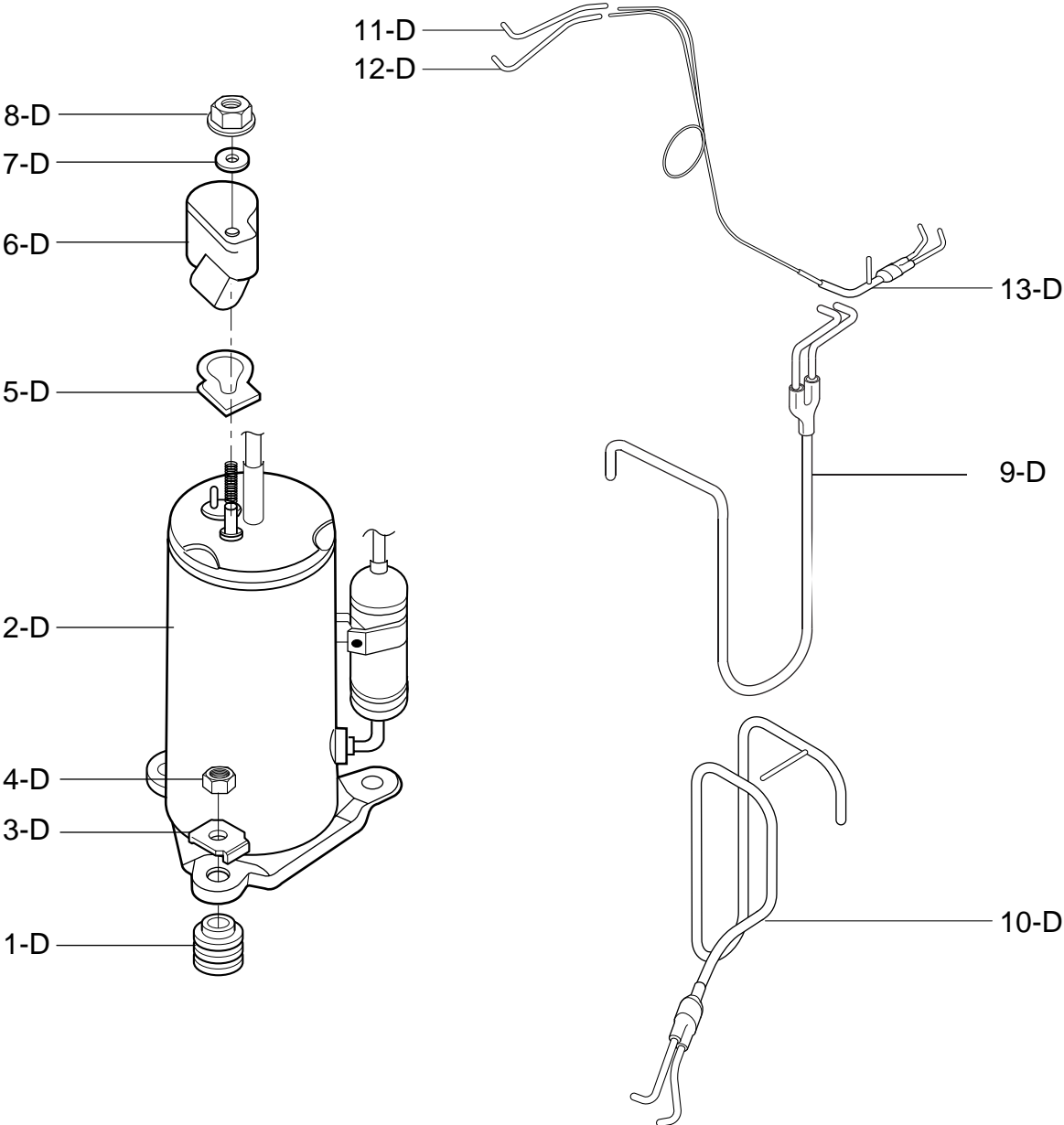
ILLUSTRATION NUMBER	PART NUMBER	DESCRIPTION
1 – C	3041A20023T	BASE PAN WELD ASSEMBLY
2 – C	5238A10008A	AIR GUIDE
3 – C	3072A20005A	SCROLL
4 – C	4790A20031A	BARRIER
5 – C	4900A20004A	DAMPER
6 – C	4960AR1596A	MOTOR MOUNT
7 – C #	4681A20081A	MOTOR ASSEMBLY
8 – C	4790A30018A	BARRIER, BLOCK
9 – C #	5901A20009A	TURBO FAN
10 – C #	5900AR1508B	AXIAL FAN
11 – C	3H02932C	CLAMP SPRING
12 – C	4998A10026A	SHROUD
13 – C	4800A20001A	BRACE
14 – C #	5421A20091F	EVAPORATOR ASSEMBLY
15 – C #	5403A20112B	CONDENSER ASSEMBLY
16 – C	4948A30008A	ORIFICE
17 – C	4H01029B	WASHER RUBBER
18 – C	4H01010A	PIPE ELBOW
19 – C	4H02023A	HOLE RUBBER
20 – C	3530A20042D	GRILLE, REAR
21 – C	5238A20014A	AIR GUIDE UPPER

= Functional Parts

* = Non-illustrated Parts

CAUTION: Use the Kenmore part number on all orders, **not** the illustration number.

COMPRESSOR PARTS



CAUTION: Use the Kenmore part number on all orders, **not** the illustration number.

COMPRESSOR PARTS

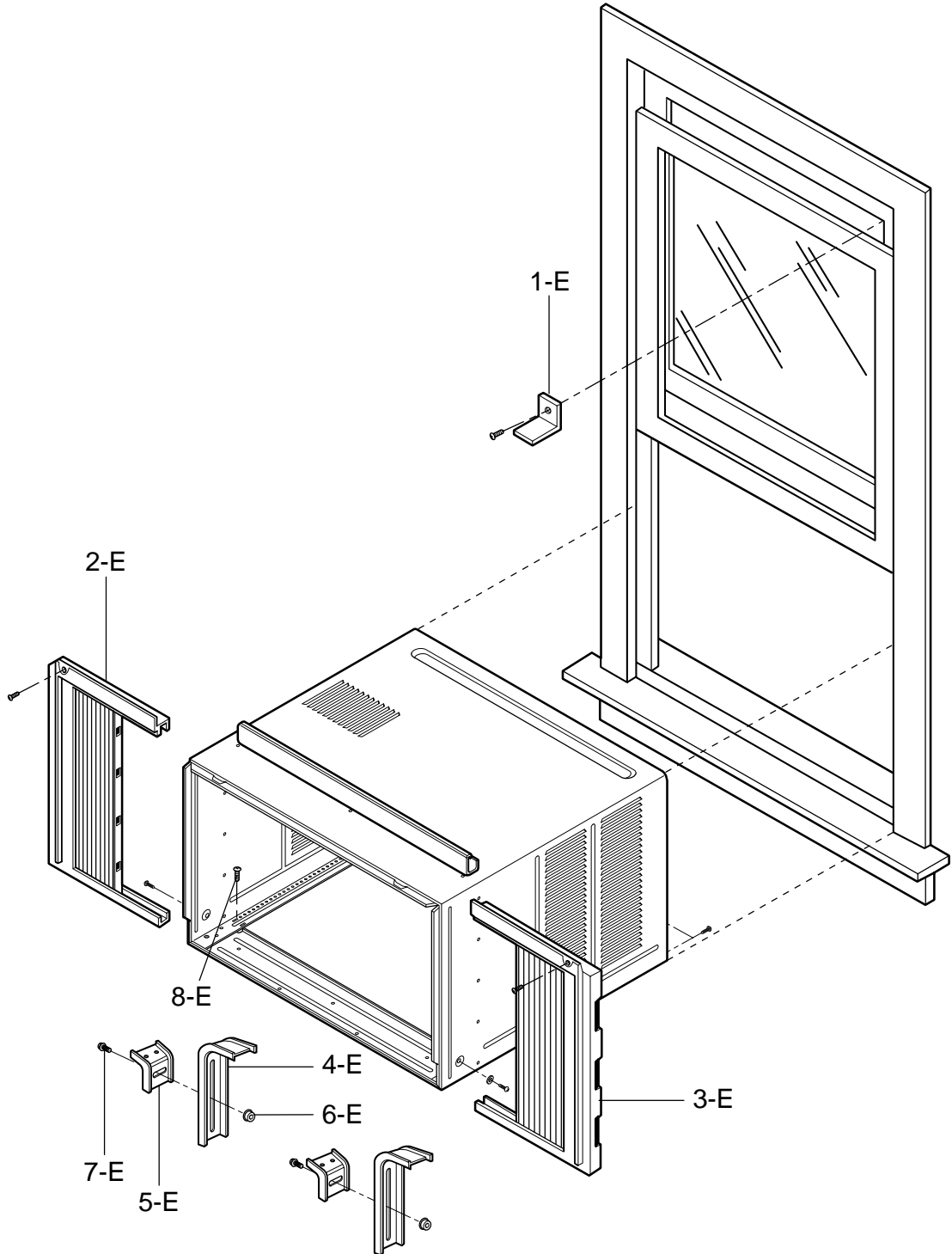
ILLUSTRATION NUMBER	PART NUMBER	DESCRIPTION
1 - D	4H00982C	ISOLATOR, COMP
2 - D #	2520UCBJ002	COMPRESSOR
3 - D	4810AR4155B	BRACKET, WASHER
4 - D	1NHA0801206	HEXAGON NUTS
5 - D	4986UTL004A	GASKET
6 - D	3550UTL005A	TERMINAL COVER
7 - D	4H01058A	GASKET NUT
8 - D	4H00947A	TERMINAL COVER NUT
9 - D	5211A34005B	TUBE ASSEMBLY DISCHARGE
10 - D	5211A20441K	TUBE ASSEMBLY SUCTION
11 - D	5210A23358E	TUBE, FORMED
12 - D	5210A23358F	TUBE, FORMED
13 - D	5211A30275Z	TUBE ASSEMBLY CAPILLARY

= Functional Parts

* = Non-illustrated Parts

CAUTION: Use the Kenmore part number on all orders, **not** the illustration number.

INSTALLATION KIT ASSEMBLY



CAUTION: Use the Kenmore part number on all orders, **not** the illustration number.

INSTALLATION KIT ASSEMBLY

ILLUSTRATION NUMBER	PART NUMBER	DESCRIPTION
1 - E	4H01785B	L BRACKET
2 - E	4959AR3402E	CURTAIN ASSEMBLY
3 - E	4959AR3402F	CURTAIN ASSEMBLY
4 - E	3H01479D	SUPPORT BRACKET
5 - E	3H01395C	SILL BRACKET
6 - E	4H01516A	LOCK NUT
7 - E	4H01483A	CARRIAGE BOLT
8 - E	4H01482A	M-SCREW

= Functional Parts

* = Non-illustrated Parts

Get it fixed, at your home or ours!

Your Home

For repair – **in your home** – of **all** major brand appliances, lawn and garden equipment, or heating and cooling systems, **no matter who made it, no matter who sold it!**

For the replacement parts, accessories and owner's manuals that you need to do-it-yourself.

For Sears professional installation of home appliances and items like garage door openers and water heaters.

1-800-4-MY-HOME® (1-800-469-4663)

Call anytime, day or night (U.S.A. and Canada)

www.sears.com www.sears.ca

Our Home

For repair of carry-in items like vacuums, lawn equipment, and electronics, call or go on-line for the location of your nearest **Sears Parts & Repair Center.**

1-800-488-1222

Call anytime, day or night (U.S.A. only)

www.sears.com

To purchase a protection agreement(U.S.A.) or maintenance agreement(Canada) on a product serviced by Sears:

1-800-827-6655 (U.S.A.)

1-800-361-6665 (Canada)

Para pedir servicio de reparación a domicilio, y para ordenar piezas:

1-888-SU-HOGARSM
(1-888-784-6427)

Au Canada pour service en français:

1-800-LE-FOYER^{MC}
(1-800-533-6937)
www.sears.ca

The Sears logo is displayed in a large, stylized, black font. The word "Sears" is written in a classic serif typeface. Below the letters, there is a horizontal line that curves upwards at both ends, resembling a smile or a swoosh.