

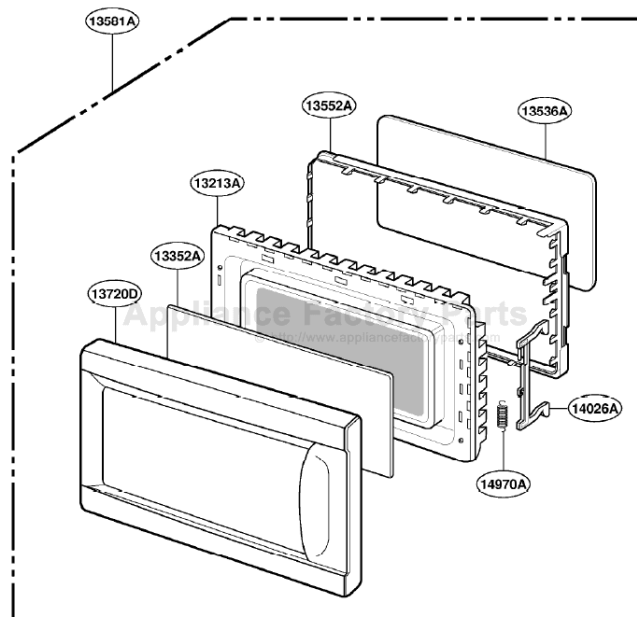
This Owner's Manual is provided and hosted by [Appliance Factory Parts](#).



Kenmore 61102 Owner's Manual

[Shop genuine replacement parts for Kenmore 61102](#)

DOOR PARTS



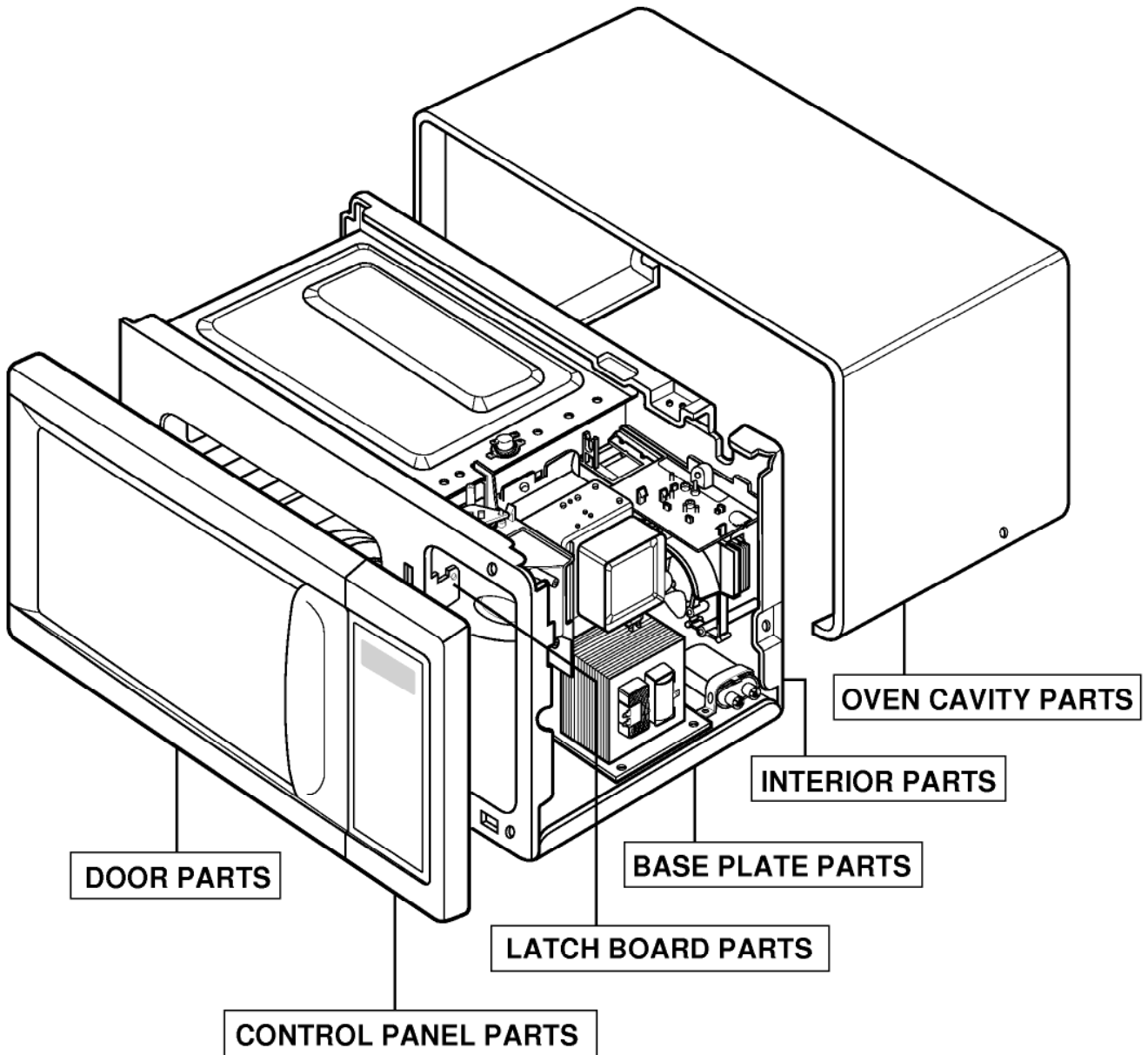
*** ALL SERVICE ON MICROWAVE OVENS SHOULD BE PERFORMED BY A QUALIFIED TECHNICIAN USING APPROVED TESTING EQUIPMENT. CUSTOMERS SHOULD NOT ATTEMPT TO REPLACE PARTS IDENTIFIED BY A TRIPLE ASTERISK(***)

[Find Your Kenmore Microwave Parts - Select From 532 Models](#)

----- Manual continues below -----

KENMORE MICROWAVE OVEN
MODEL NO. 721.61102100
721.61109100

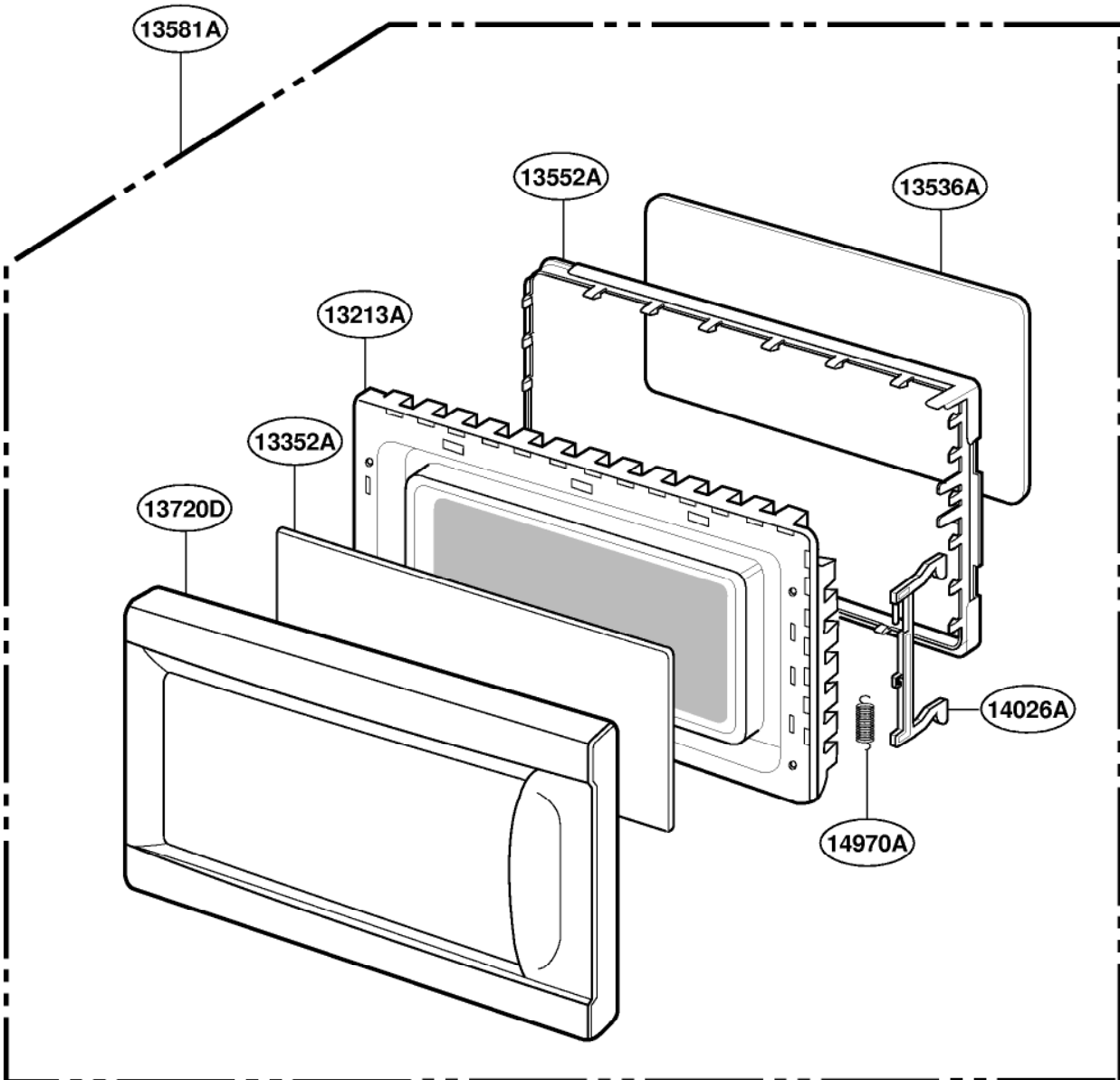
INTRODUCTION



*** ALL SERVICE ON MICROWAVE OVENS SHOULD BE PERFORMED BY A QUALIFIED TECHNICIAN USING APPROVED TESTING EQUIPMENT. CUSTOMERS SHOULD NOT ATTEMPT TO REPLACE PARTS IDENTIFIED BY A TRIPLE ASTERISK(***)

KENMORE MICROWAVE OVEN
MODEL NO. 721.61102100
721.61109100

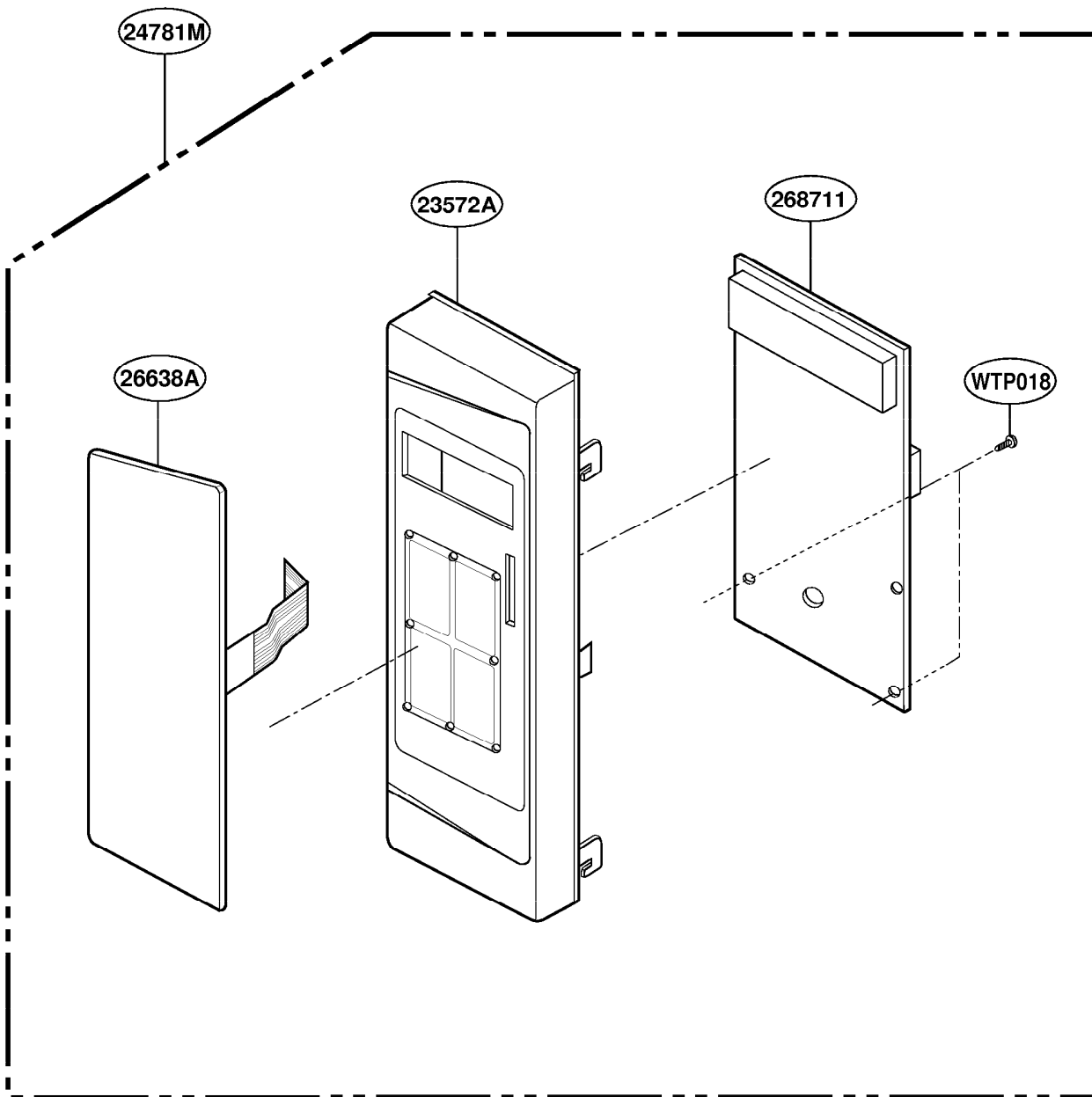
DOOR PARTS



*** ALL SERVICE ON MICROWAVE OVENS SHOULD BE PERFORMED BY A QUALIFIED TECHNICIAN USING APPROVED TESTING EQUIPMENT. CUSTOMERS SHOULD NOT ATTEMPT TO REPLACE PARTS IDENTIFIED BY A TRIPLE ASTERISK(***)

KENMORE MICROWAVE OVEN
MODEL NO. 721.61102100
721.61109100

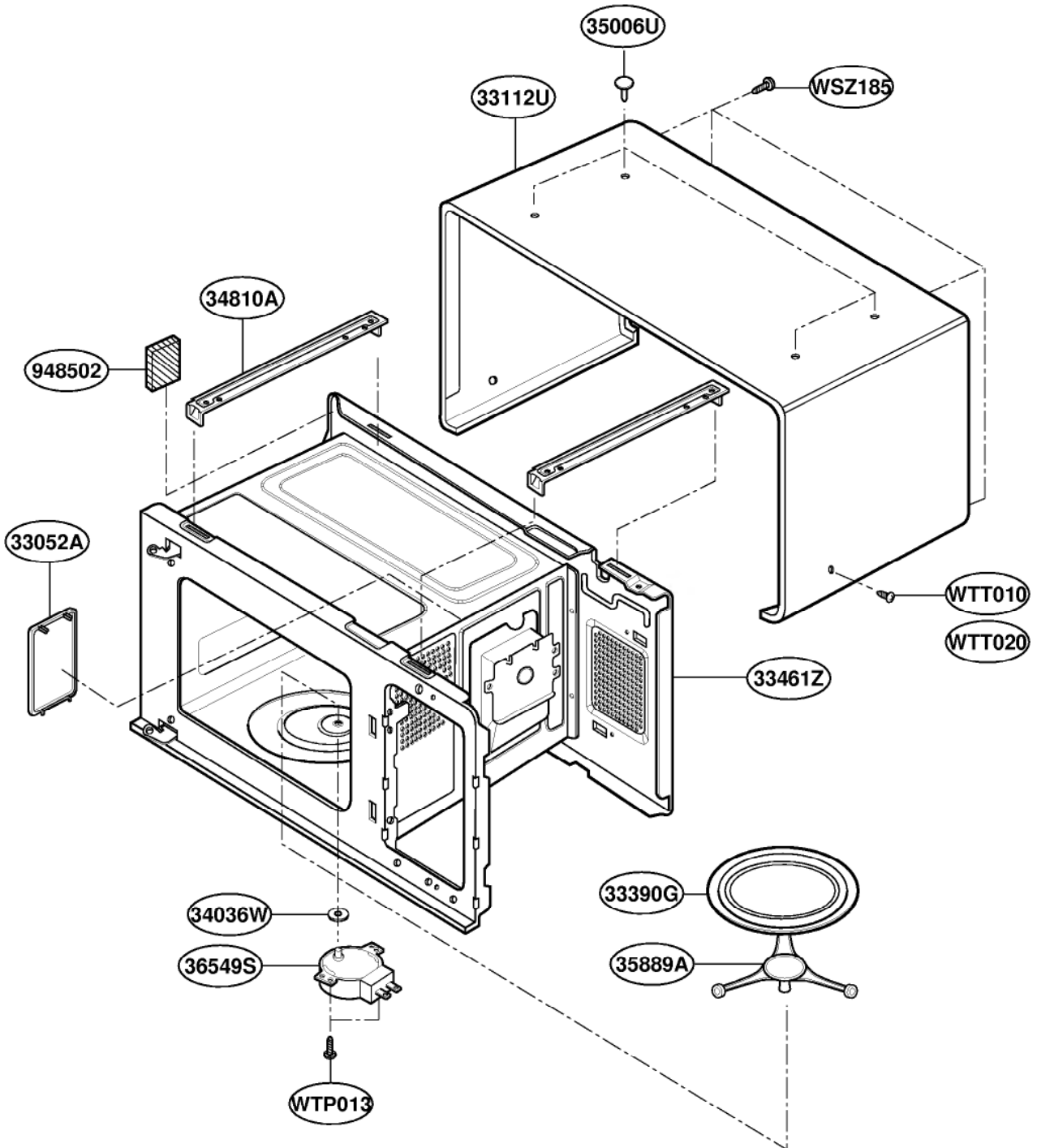
CONTROLLER PARTS



*** ALL SERVICE ON MICROWAVE OVENS SHOULD BE PERFORMED BY A QUALIFIED TECHNICIAN USING APPROVED TESTING EQUIPMENT. CUSTOMERS SHOULD NOT ATTEMPT TO REPLACE PARTS IDENTIFIED BY A TRIPLE ASTERISK(***)

KENMORE MICROWAVE OVEN
MODEL NO. 721.61102100
721.61109100

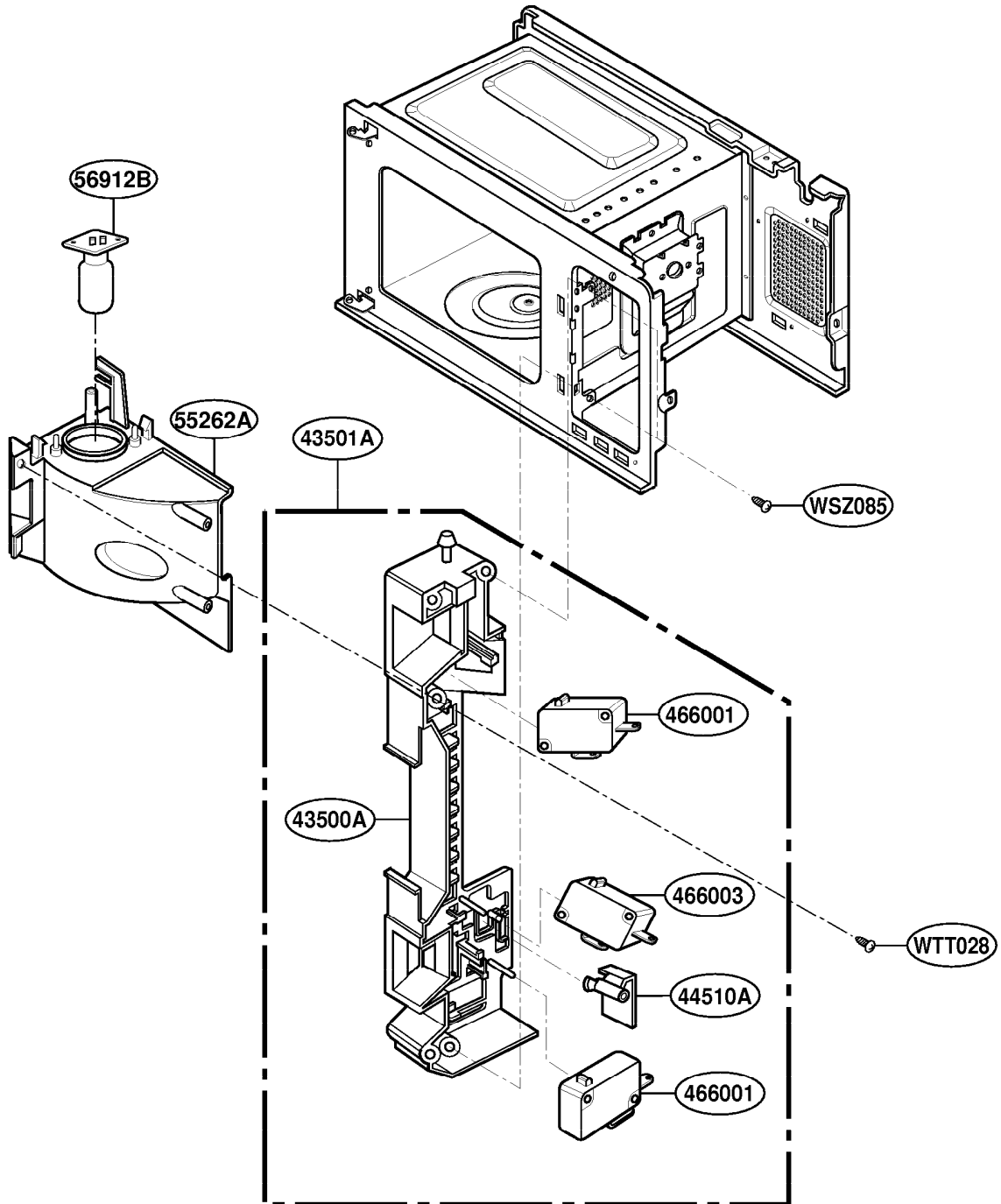
OVEN CAVITY PARTS



*** ALL SERVICE ON MICROWAVE OVENS SHOULD BE PERFORMED BY A QUALIFIED TECHNICIAN USING APPROVED TESTING EQUIPMENT. CUSTOMERS SHOULD NOT ATTEMPT TO REPLACE PARTS IDENTIFIED BY A TRIPLE ASTERISK(***)

KENMORE MICROWAVE OVEN
MODEL NO. 721.61102100
721.61109100

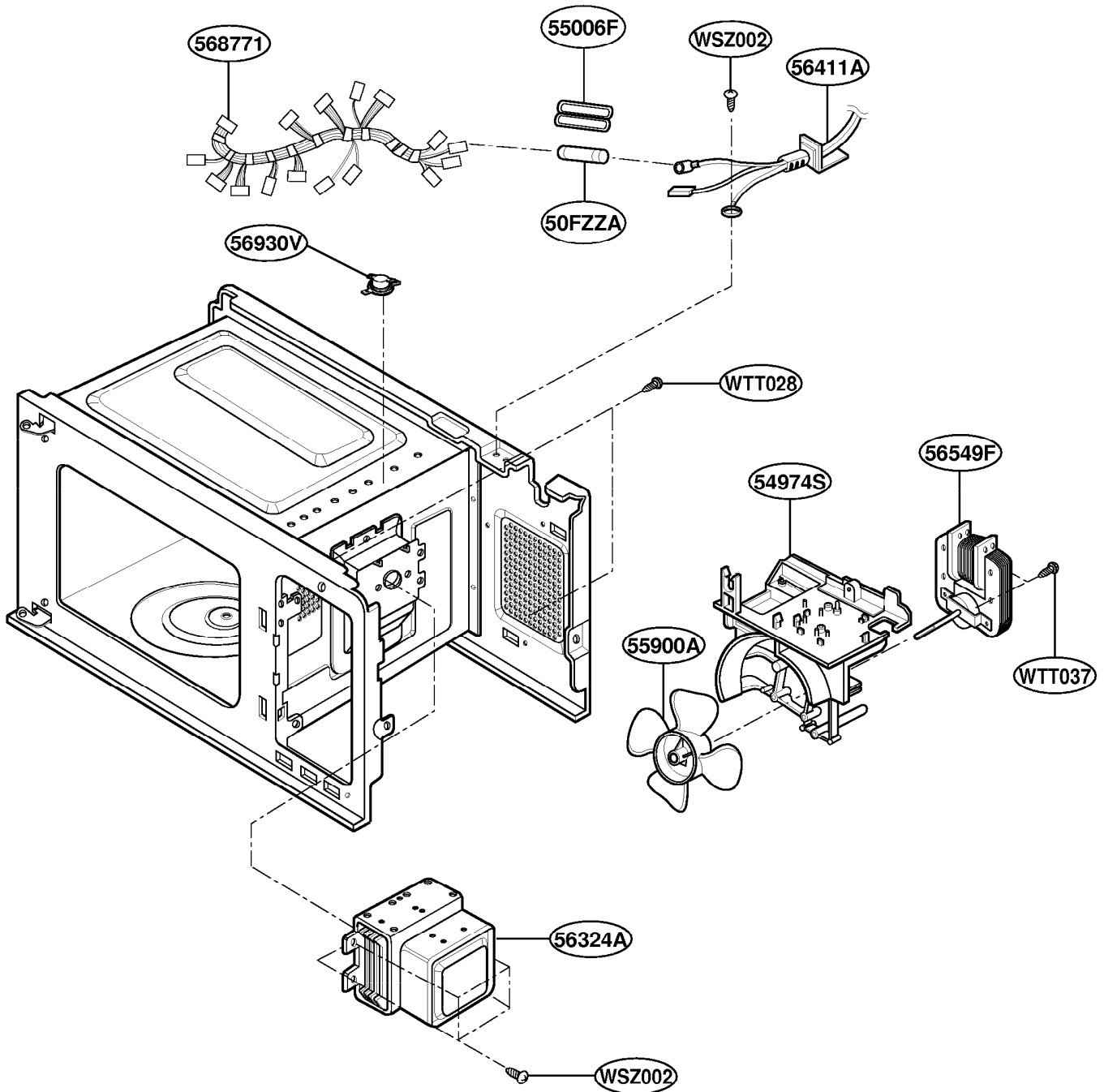
SUCTION GUIDE PARTS



*** ALL SERVICE ON MICROWAVE OVENS SHOULD BE PERFORMED BY A QUALIFIED TECHNICIAN USING APPROVED TESTING EQUIPMENT. CUSTOMERS SHOULD NOT ATTEMPT TO REPLACE PARTS IDENTIFIED BY A TRIPLE ASTERISK(***)

KENMORE MICROWAVE OVEN
 MODEL NO. 721.61102100
 721.61109100

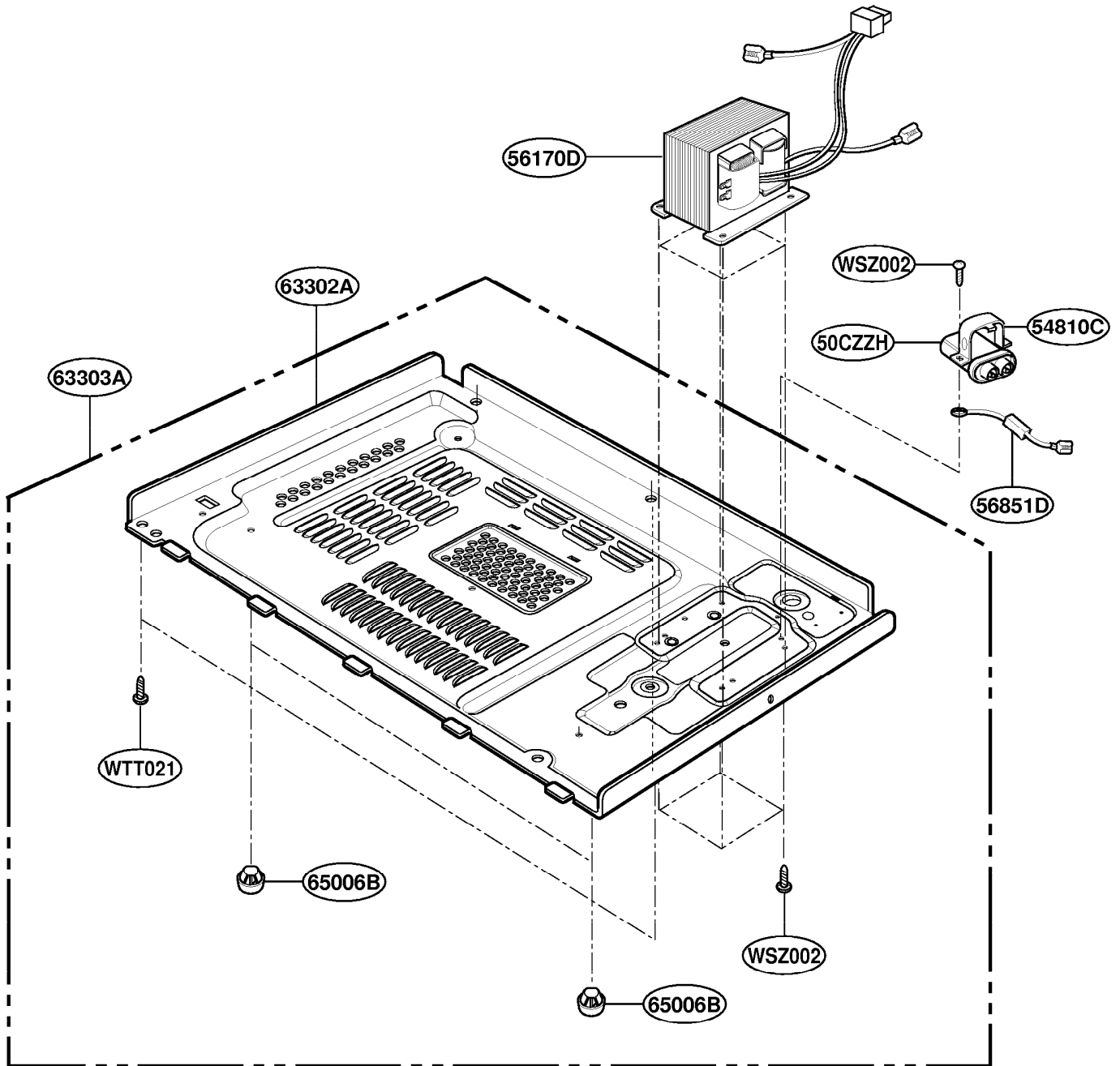
OVEN INTERIOR PARTS



*** ALL SERVICE ON MICROWAVE OVENS SHOULD BE PERFORMED BY A QUALIFIED TECHNICIAN USING APPROVED TESTING EQUIPMENT. CUSTOMERS SHOULD NOT ATTEMPT TO REPLACE PARTS IDENTIFIED BY A TRIPLE ASTERISK(***)

KENMORE MICROWAVE OVEN
MODEL NO. 721.61102100
721.61109100

BASE PLATE PARTS



*** ALL SERVICE ON MICROWAVE OVENS SHOULD BE PERFORMED BY A QUALIFIED TECHNICIAN USING APPROVED TESTING EQUIPMENT. CUSTOMERS SHOULD NOT ATTEMPT TO REPLACE PARTS IDENTIFIED BY A TRIPLE ASTERISK(***)