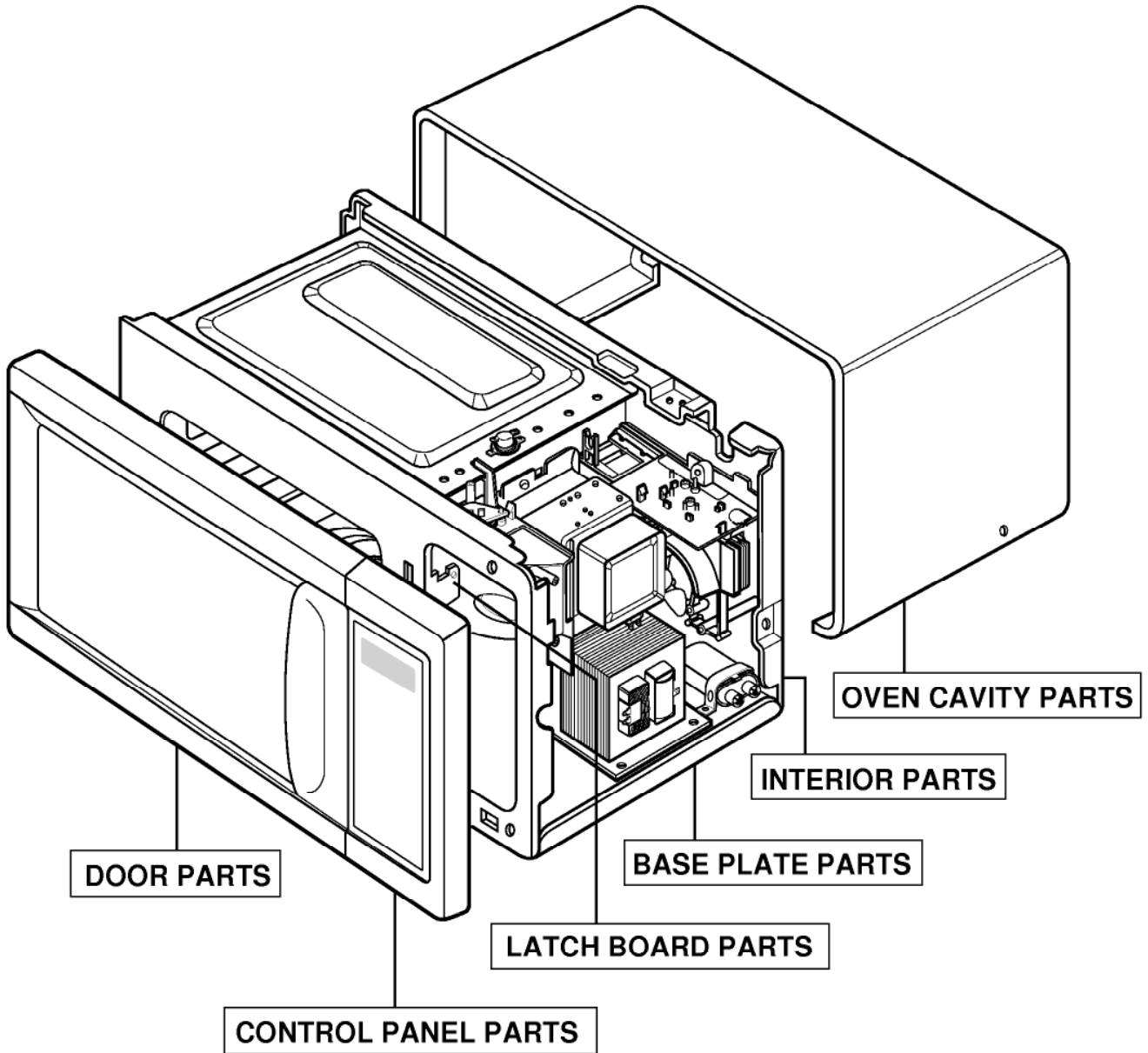


KENMORE MICROWAVE OVEN  
MODEL NO. 721.61102100  
721.61109100

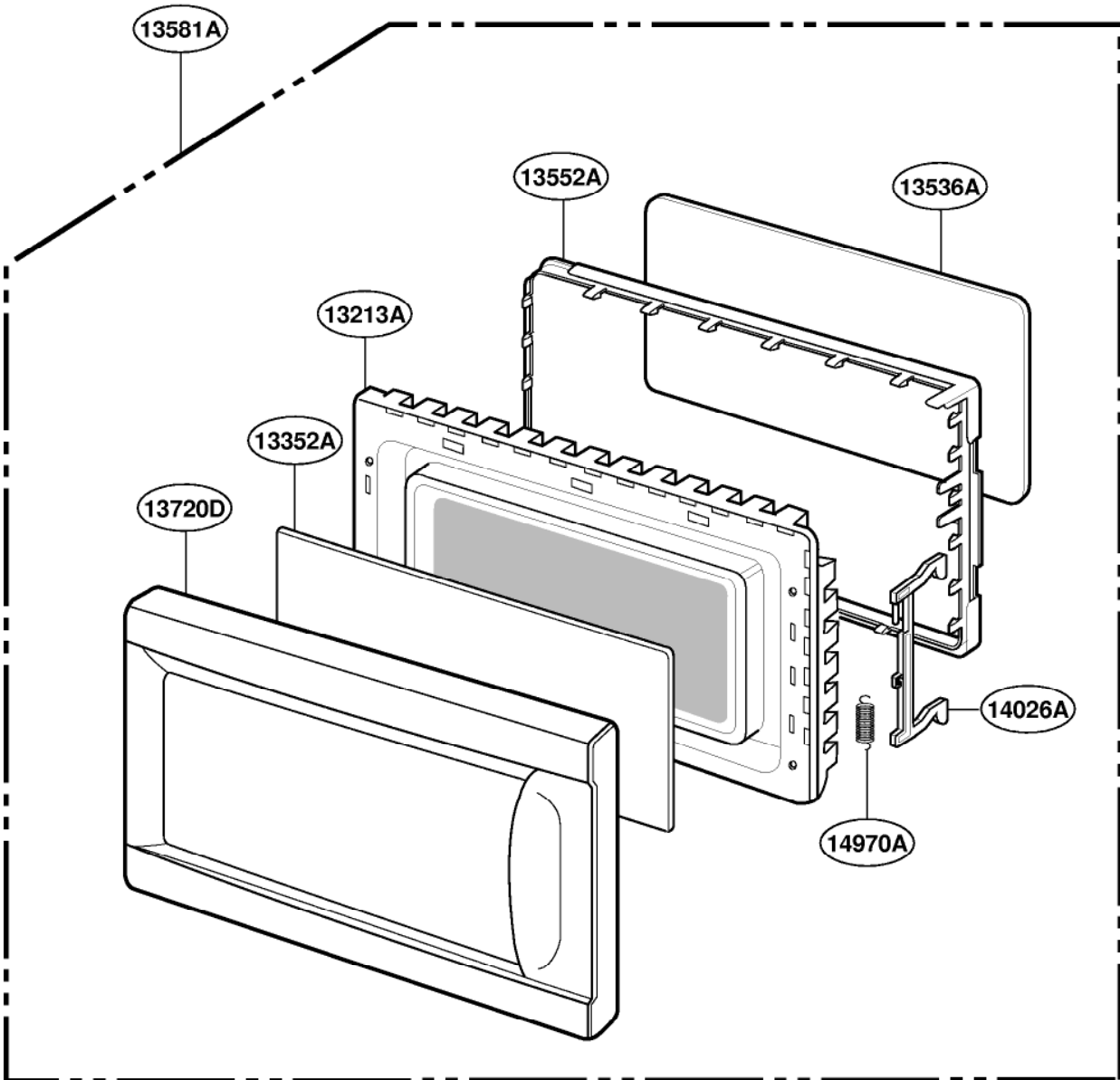
INTRODUCTION



\*\*\* ALL SERVICE ON MICROWAVE OVENS SHOULD BE PERFORMED BY A QUALIFIED TECHNICIAN USING APPROVED TESTING EQUIPMENT. CUSTOMERS SHOULD NOT ATTEMPT TO REPLACE PARTS IDENTIFIED BY A TRIPLE ASTERISK(\*\*\*)

KENMORE MICROWAVE OVEN  
MODEL NO. 721.61102100  
721.61109100

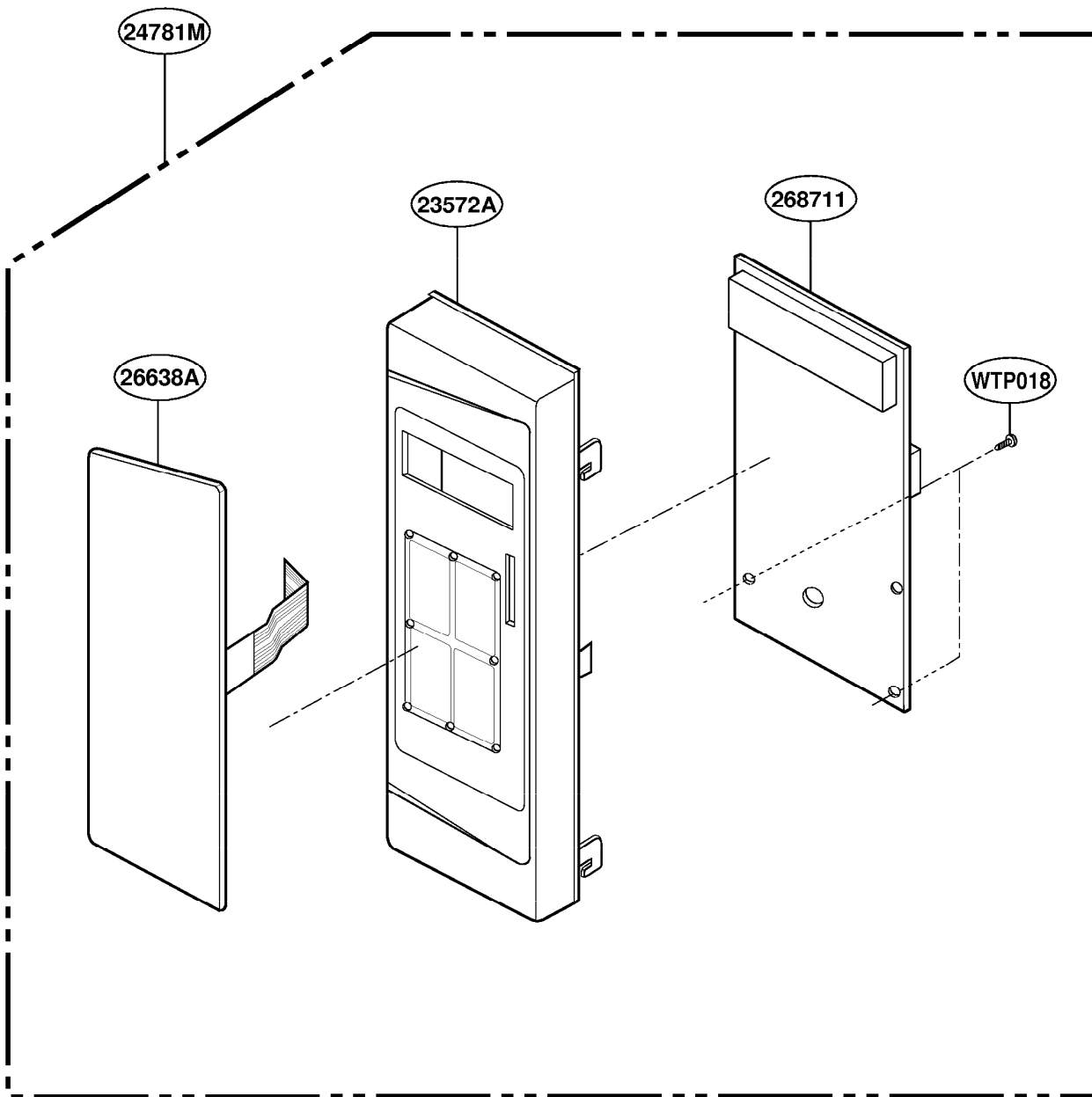
DOOR PARTS



\*\*\* ALL SERVICE ON MICROWAVE OVENS SHOULD BE PERFORMED BY A QUALIFIED TECHNICIAN USING APPROVED TESTING EQUIPMENT. CUSTOMERS SHOULD NOT ATTEMPT TO REPLACE PARTS IDENTIFIED BY A TRIPLE ASTERISK(\*\*\*)

KENMORE MICROWAVE OVEN  
MODEL NO. 721.61102100  
721.61109100

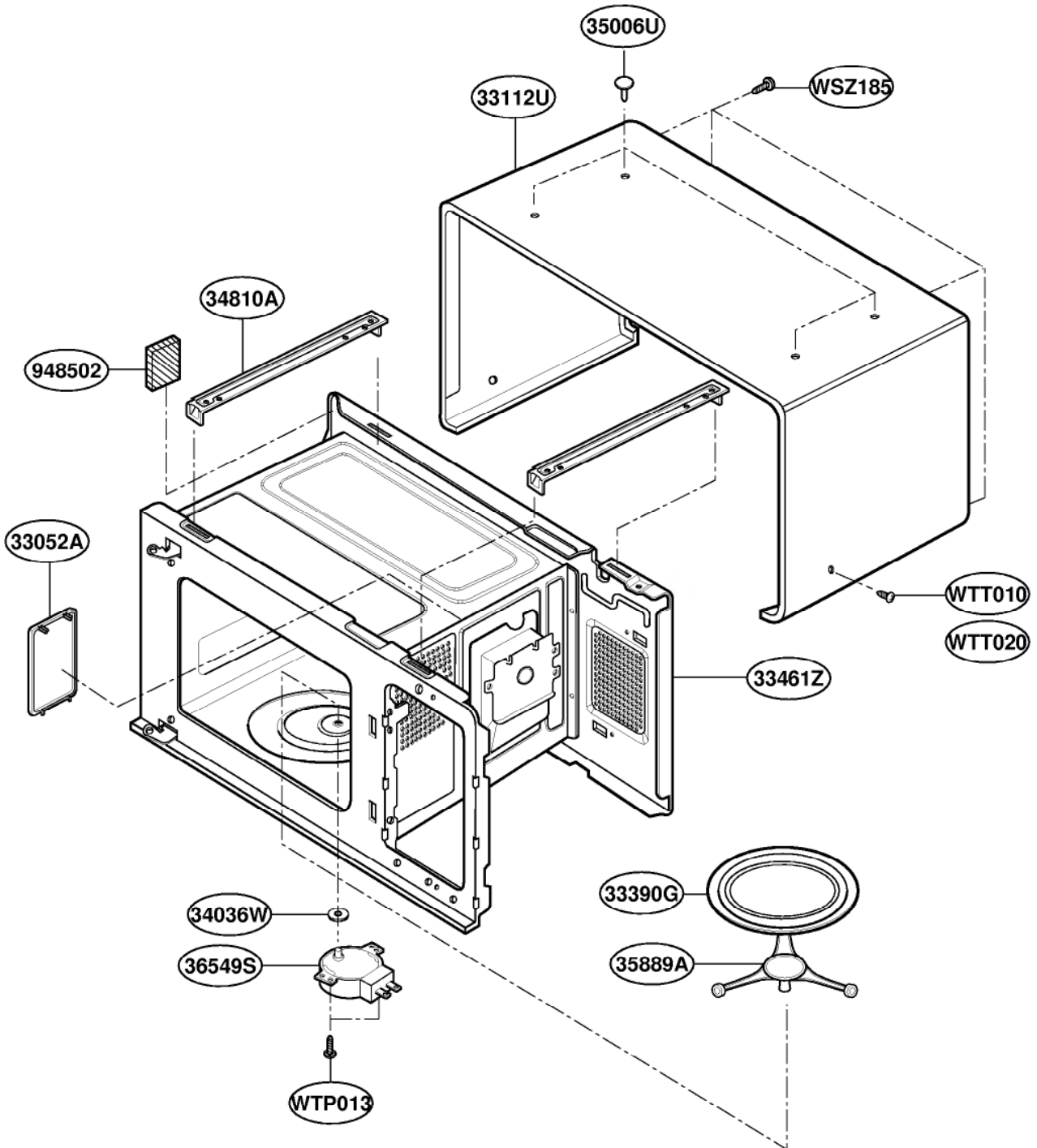
CONTROLLER PARTS



\*\*\* ALL SERVICE ON MICROWAVE OVENS SHOULD BE PERFORMED BY A QUALIFIED TECHNICIAN USING APPROVED TESTING EQUIPMENT. CUSTOMERS SHOULD NOT ATTEMPT TO REPLACE PARTS IDENTIFIED BY A TRIPLE ASTERISK(\*\*\*)

KENMORE MICROWAVE OVEN  
MODEL NO. 721.61102100  
721.61109100

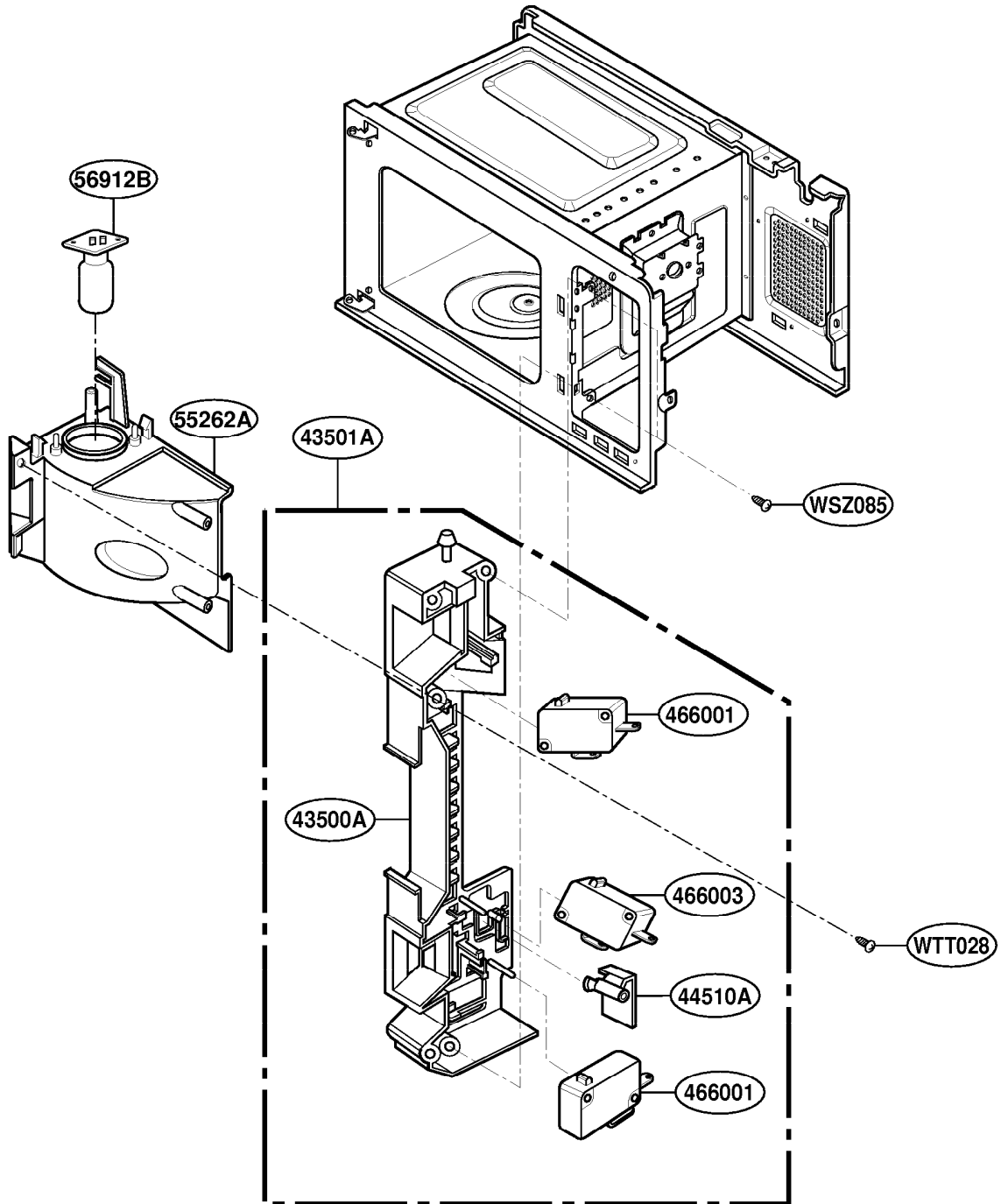
OVEN CAVITY PARTS



\*\*\* ALL SERVICE ON MICROWAVE OVENS SHOULD BE PERFORMED BY A QUALIFIED TECHNICIAN USING APPROVED TESTING EQUIPMENT. CUSTOMERS SHOULD NOT ATTEMPT TO REPLACE PARTS IDENTIFIED BY A TRIPLE ASTERISK(\*\*\*)

KENMORE MICROWAVE OVEN  
MODEL NO. 721.61102100  
721.61109100

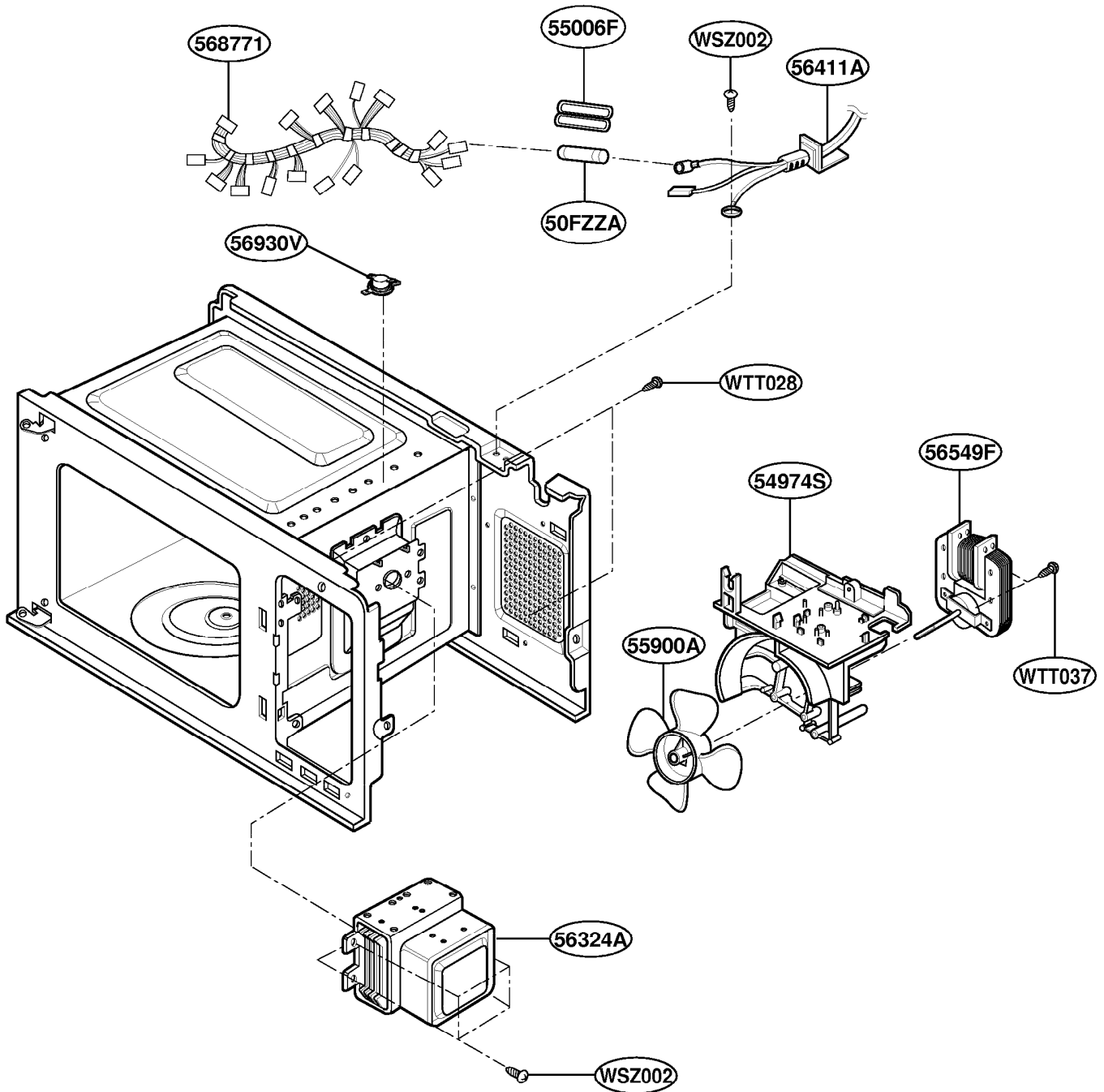
SUCTION GUIDE PARTS



\*\*\* ALL SERVICE ON MICROWAVE OVENS SHOULD BE PERFORMED BY A QUALIFIED TECHNICIAN USING APPROVED TESTING EQUIPMENT. CUSTOMERS SHOULD NOT ATTEMPT TO REPLACE PARTS IDENTIFIED BY A TRIPLE ASTERISK(\*\*\*)

KENMORE MICROWAVE OVEN  
 MODEL NO. 721.61102100  
 721.61109100

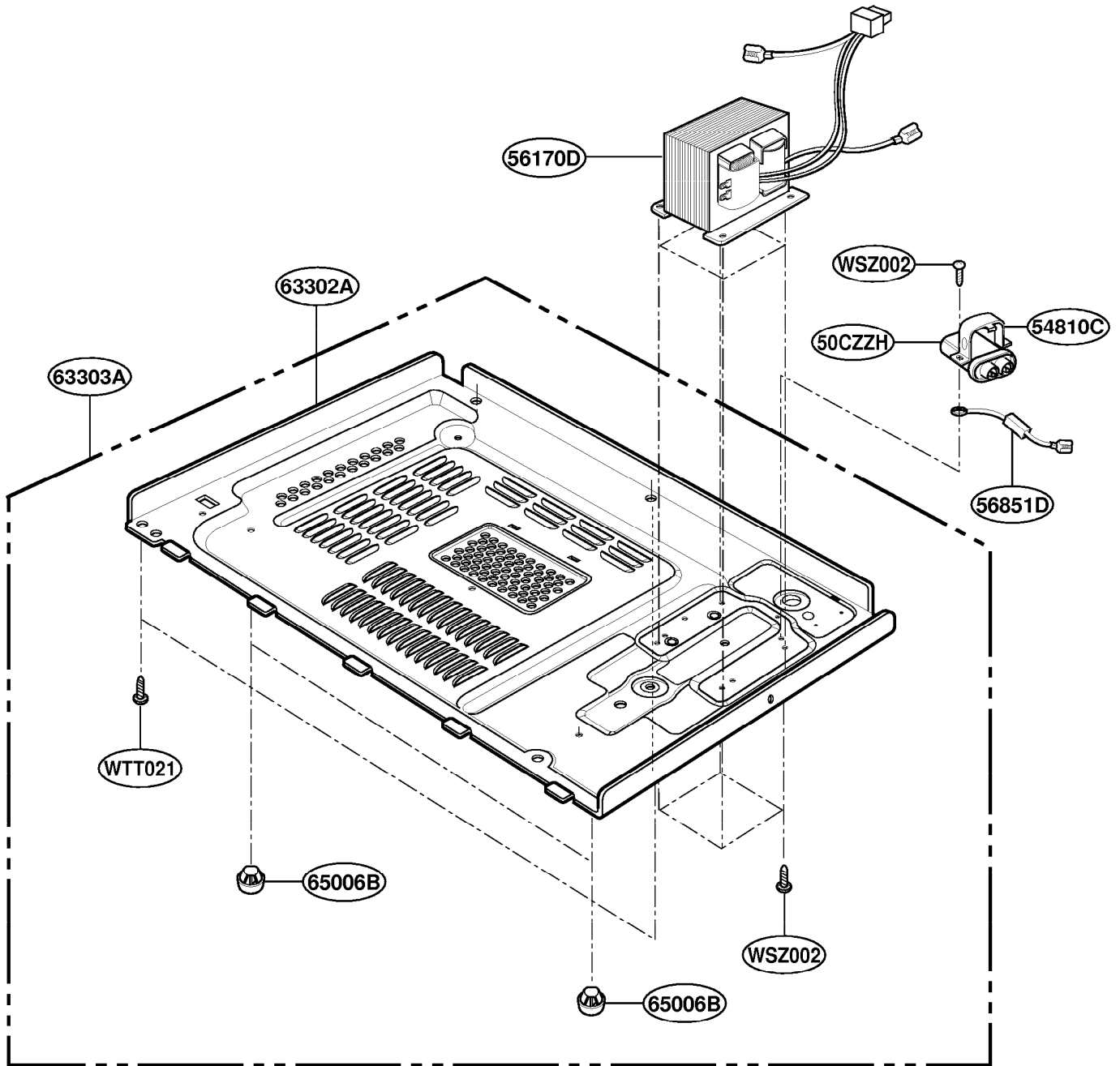
OVEN INTERIOR PARTS



\*\*\* ALL SERVICE ON MICROWAVE OVENS SHOULD BE PERFORMED BY A QUALIFIED TECHNICIAN USING APPROVED TESTING EQUIPMENT. CUSTOMERS SHOULD NOT ATTEMPT TO REPLACE PARTS IDENTIFIED BY A TRIPLE ASTERISK(\*\*\*)

KENMORE MICROWAVE OVEN  
MODEL NO. 721.61102100  
721.61109100

BASE PLATE PARTS



\*\*\* ALL SERVICE ON MICROWAVE OVENS SHOULD BE PERFORMED BY A QUALIFIED TECHNICIAN USING APPROVED TESTING EQUIPMENT. CUSTOMERS SHOULD NOT ATTEMPT TO REPLACE PARTS IDENTIFIED BY A TRIPLE ASTERISK(\*\*\*)