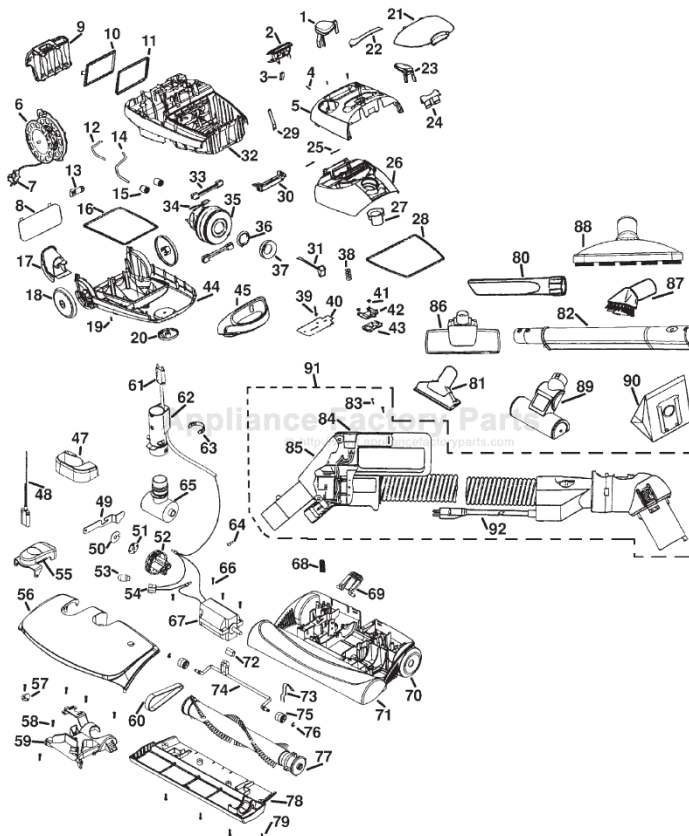


This Owner's Manual is provided and hosted by [Appliance Factory Parts](http://ApplianceFactoryParts.com).



# Eureka 6984A Owner's Manual

[Shop genuine replacement parts for Eureka 6984A](#)



[Find Your Eureka Vacuum Cleaner Parts - Select From 855 Models](#)

----- Manual continues below part list -----

## Available Replacement Parts for Eureka 6984A

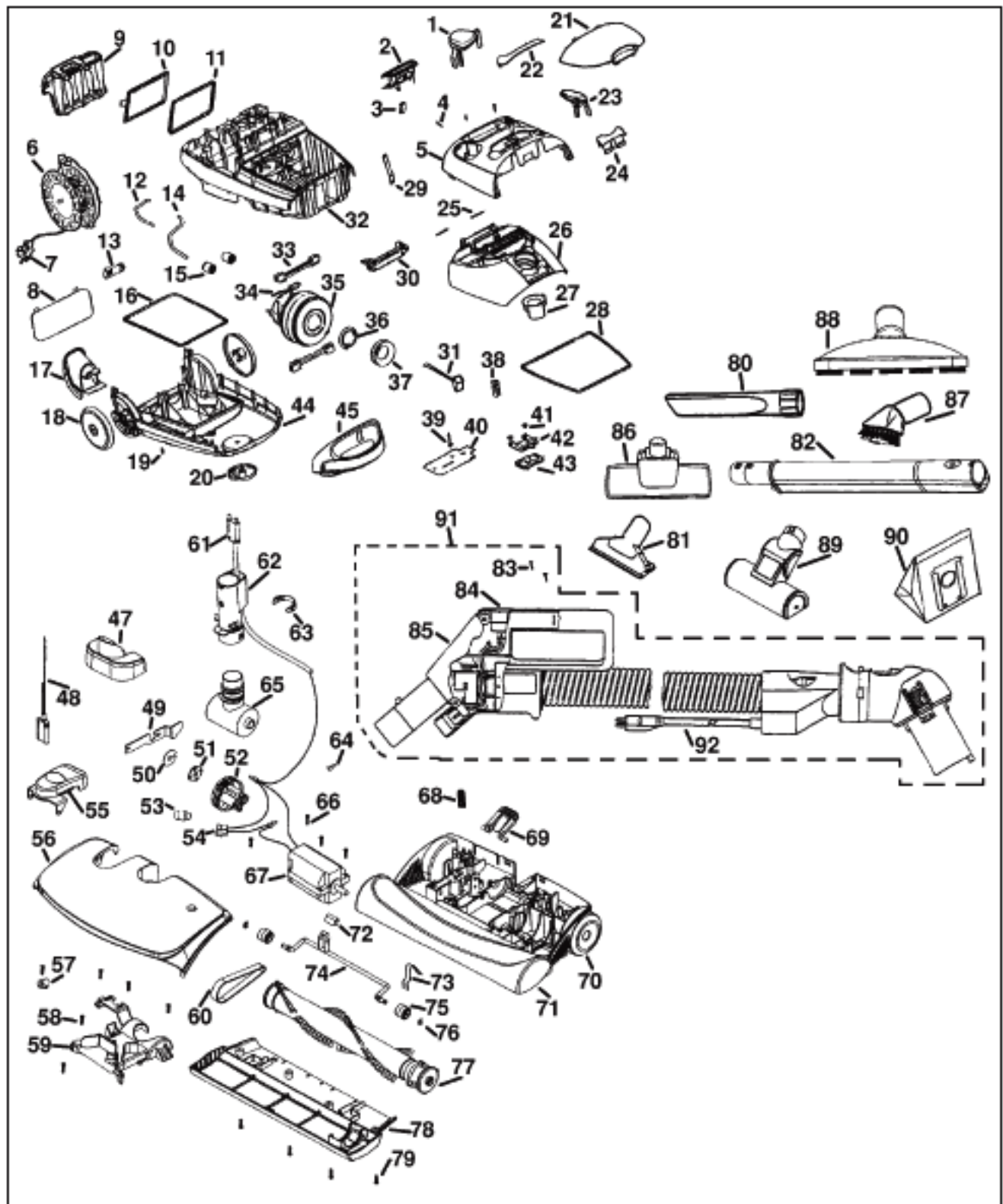
<a href="#">ER-1050</a>	BELT, EUREKA 1 PACK
<a href="#">ER-1475</a>	VACUUM BAG AFTERMARKET EUREKA 3 PACK
<a href="#">E-60286</a>	FILTER, HEPA, 1PK
<a href="#">ER-1435</a>	BAGS FOR EUREKA 3 PACK STYLE EX
<a href="#">E-39134-6</a>	DELUXE FLOOR NOZZLE

# EUREKA

## Original & Replacement

### OXYGEN CANISTER

6984A Shown



## Original &amp; Replacement

**EUREKA****OXYGEN CANISTER  
6984A Shown**

KEY	PART NO.	DESCRIPTION	KEY	PART NO.	DESCRIPTION
1	E-54888-3	Cord Winder Button	50	E-61724	Cam Disc
2	E-60636-1	Rear Catch Lever	51	E-61725	Cam Lock Assembly
3	E-60637	Catch Lever Spring	52	E-61726	Height Adjustment Knob
4	E-61697-2	Screw	53	E-61682	Light Bulb
5	E-61712-3	Rear Cover	54	E-61727	Light Socket
6	E-61693	Cord Reel	55	E-61728	Pedal Assembly
7	E-54985	Cord	56	E-61730	Hood
8	E-60541	Motor Filter	57	E-61731	Clip
9	E-60476	Filter Flap	58	E-61733	Screw
10	E-60286	HEPA Filter Style HF1	59	E-61734	Air Duct Cover Assembly
10	ER-1831	HEPA Filter Style HF1	60	E-36943	Flat Belt
10	E-61053	Washable HEPA Filter	60	ER-1050	Flat Belt
11	E-60578	Exhaust Filter Seal		E-75614	Geared Belt
12	E-54939-1	Tube	61	E-61735	Cord
13	E-54893	Bag Indicator	62	E-61736	Coupling
14	E-54914	Tube	63	E-61737	C-Clamp
15	E-60653	Cushion	64	SS-3270	Wire Nut
16	E-60605	Bag Cover Seal	65	E-61738	Pivot Neck
17	E-60648-1	Cord Guide	66	E-61733	Screw
18	E-54895-1	Rear Wheel	67	E-61740	Motor Smooth Shaft
19	E-61697-2	Screw		E-61740-1	Motor Geared Shaft
20	E-61695	Front Caster	68	E-61742	Spring
21	E-61708-3	Top Cover	69	E-61743	Foot Pedal
22	E-54944-5	Display	70	E-61744	Rear Wheel
23	E-54889-3	Switch Button	71	E-61746	Base Assembly
24	E-60651-1	Catch Lever	72	E-71747	Cam Bearing
25	E-54894	Shaft	73	E-61748	Spring
26	E-54886-5	Bag Cover Lid	74	E-61749	Front Axle
27	E-60638-1	Sleeve	75	E-61750	Front Wheel
28	E-60605	Cover Seal Gasket	76	E-61752	E-Clip
29	E-54892	Bag Support Spring	77	E-61677	Brushroll Using Flat Belt
30	E-54890	Bag Support		E-61699	Brushroll Using Geared Belt
31	E-60606-1	Receptacle	78	E-61753	Bottom Plate
32	E-61709	Bag Housing	79	E-61733	Screw
33	E-61694	Motor Block	80	E-54905	Crevice Tool
34	E-61698	Thermostat	81	E-54904	Upholstery Tool
35	E-60650-1	Motor	82	E-39422-1	Electric Wand Assembly
36	E-60634-1	Support Seal Ring	83	E-53257-1	Screw
37	E-60647-1	Sealing Ring	84	E-38948-336N	Control Knob
38	E-54973	Spring	85	E-60852-3	Grip Assembly
39	E-61697-1	Screw	86	E-39134-6	Floor Tool
40	E-61706-3	Circuit Board & Switch Ass'y	86	FA-5726	Floor Tool
41	E-60635	Insulating Washer	87	E-54903	Dust Brush
42	E-60632	Flap Plate	88	E-60816	Floor & Wall Brush
43	E-60608	Flap Seal	89	E-59949	Air Driven Upholstery Tool
44	E-61710	Lower Shell	90	E-60284	Paper Bag Style EX 3 Pk
45	E-60652-1	Handle	90	ER-1435	Paper Bag Style EX 3 Pk
	E-61704	Sound Foam	91	E-60782-2	Hose Assembly
47	E-61721	Quick Connect Pedal	92	E-27730-3	Pigtail
48	E-61722	Connector & Wire Assembly			
49	E-61723	Pivot Arm			

**THIS MODEL WAS PRODUCED WITH EITHER A  
GEARED BELT OR FLAT BELT SYSTEM**