

This Owner's Manual is provided and hosted by [Appliance Factory Parts](http://ApplianceFactoryParts.com).



WHITE RODGERS 14C26S-01002 Owner's Manual

[Shop genuine replacement parts for WHITE RODGERS
14C26S-01002](#)



[Find Your WHITE RODGERS Air Cleaner Parts - Select From 61 Models](#)

----- Manual continues below -----

electro-air

ELECTRONIC AIR CLEANER

**MODEL NOS. 10C26S-01002
 14C26S-01002
 16C28S-01000
 20C26S-01002**

SST ELECTRONIC AIR CLEANER

OWNERS MANUAL

- Installation
- Operation
- Technical Repair Guide
- Repair Parts

UL & CSA Listed

INTRODUCTION

Please read instructions before installing and using the Electronic Air Cleaner. This will help you obtain the full benefit from the Electronic Air Cleaner you have selected. It will also help you avoid any needless service costs that result from causes we cannot control and cannot cover in our guarantee.

WARNING: Do not attempt to install this air cleaner unless you are completely familiar with the necessary tools, equipment, utility connections and potential hazards involved. We ask that you contact a reliable heating and air conditioning dealer or other qualified installer to install this unit.

TABLE OF CONTENTS

Rules for Safe Installation and Operation	2
How the Air Cleaner Works	3
Construction of the Air Cleaner	3
Preinstallation	4
Installation	6
Wiring Instructions	7
Operation	8
Maintenance	8
Specifications	9
Technical Repair Guide	10
Repair Parts	14

BASIC TOOL REQUIRED

Tin Snip
Screwdriver
Rule or Tape Measure
Drill

GUARANTEE

Electro-Air will not assume any responsibility for component failures due to incorrect installation procedures. See Electro-air warranty.

RULES FOR SAFE INSTALLATION AND OPERATION

1. Read the Owners Manual and the Rules for Safe Operation carefully. Failure to follow these rules and instructions could cause a malfunction of filter or unsatisfactory service.

WARNING: Check your local codes and utility requirements before installation. The installation must comply with their directives.

WARNING: Before servicing, always shut off electricity. This will prevent any electrical shocks.

2. Follow a regular service and maintenance schedule for efficient operation.

DID YOU GET THE RIGHT SIZE AIR CLEANER

Model 10C26S-01002 is designed for heating or cooling blowers delivering 600 to 1200 cubic feet of air per minute (cfm.)

Model 14C26S-01002 is designed for heating or cooling blowers delivering 800 to 1600 cfm.

Model 16C28S-01000 is designed for heating or cooling blowers delivering 1000 to 2000 cfm.

Model 20C26S-01002 is designed for heating or cooling blowers delivering 1400 to 2200 cfm.

See specifications on page 9.

HOW YOUR AIR CLEANER WORKS

Dirt laden air flowing through the ducts (Figure 1) first enters the pre-filters (A) where large particles (hair, lint, etc.) are trapped. Smaller particles (smoke, dust, pollen, etc.) pass through these pre-filters and enter the ionizing section (B). Here each tiny particle receives a positive electrical charge. These charged particles then enter the collecting section (C). This section consists of a series of aluminum plates . . . alternate plates are charged positively.

The positive charge of the particles cause them to be repelled by the positive plates and attracted to the negative plates where they are collected . . . just as a magnet attracts iron filings.

Thus, only clean-filtered air re-enters the supply duct system.

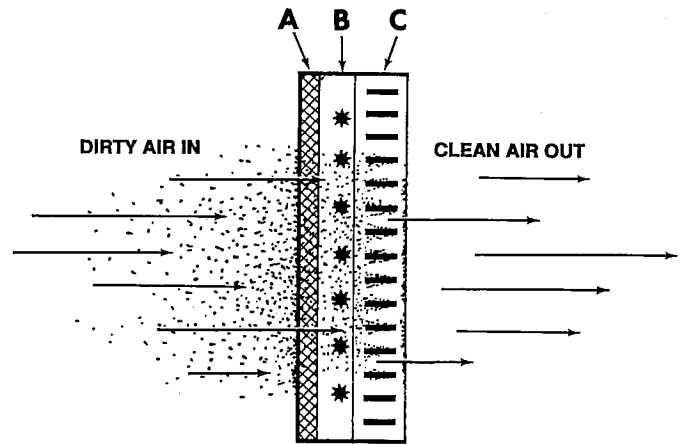


Figure 1

CONSTRUCTION OF YOUR AIR CLEANER

Not only is your air cleaner easy to install, it is also easy to operate and maintain. Its basic components, and their functions, are as follows: (See Figure 2)

Cabinet - mounts to existing duct work and houses the collecting cells and pre-filters.

Collecting Cells - are made in two sections and perform the actual collecting of dust, dirt, and other impurities from the air. They contain the ionizing and collection sections described above.

Each cell must be installed with the ionizing wires on the air entering side. Each cell must be oriented with the handles and contact button (Figure 2) toward the operator.

Pre-filters - are in two sections which are interchangeable. They serve as a pre-filter to trap large particles such as hair and lint before they can enter the cell sections.

Power Pack- contains operating and power on lights as well as the solid state components that convert the 120 volt power supply to the high-voltage, direct current required for the collecting cell.

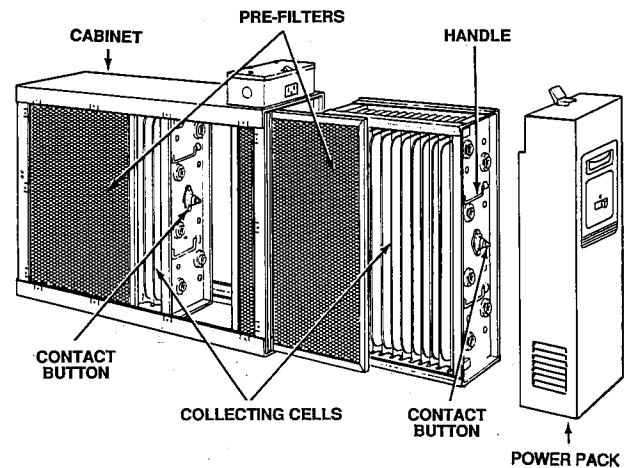


Figure 2

PREINSTALLATION

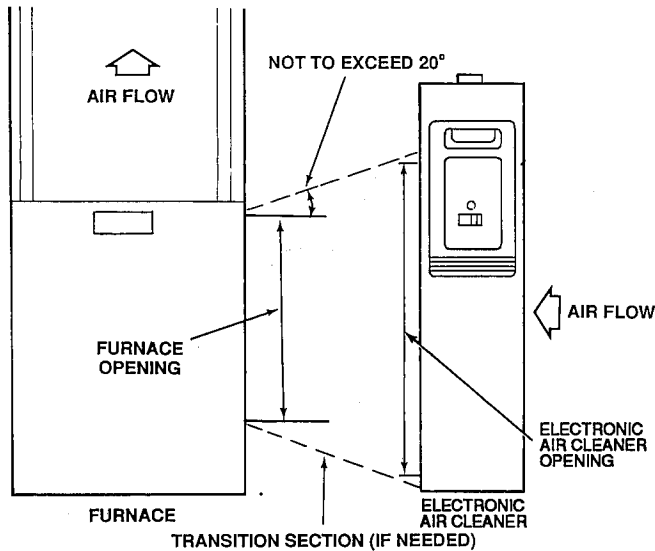


Figure 3

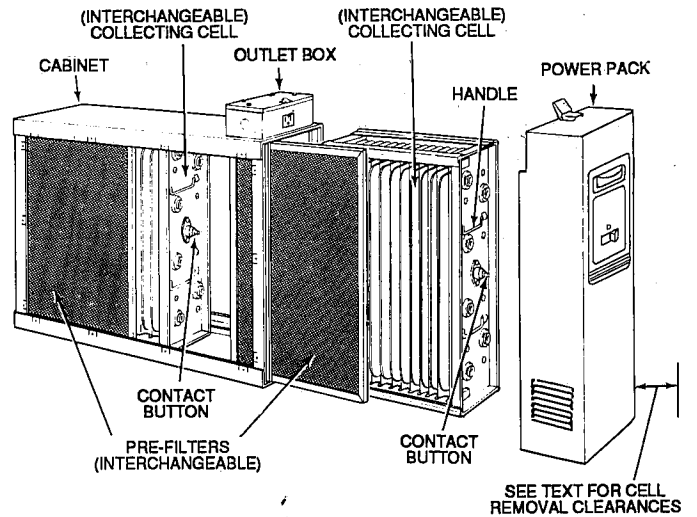


Figure 4

LOCATING THE AIR FILTER

Your air filter must be mounted in the return air duct of a central forced-air system, on the air entering side of your furnace. (See Figure 3 for example.)

Select a location that meets the following:

1. The face of the cell will be at a right angle to the air stream.
2. Allow the following clearances to permit removal of cells and pre-filters: (See Figure 4 and 5)

Model 10C26S-01002 - 14 inches
 Model 14C26S-01002 - 15 inches
 Model 16C28S-01000 - 14 inches
 Model 20C26S-01002 - 15 inches

For complete dimension data refer to Figure 5.

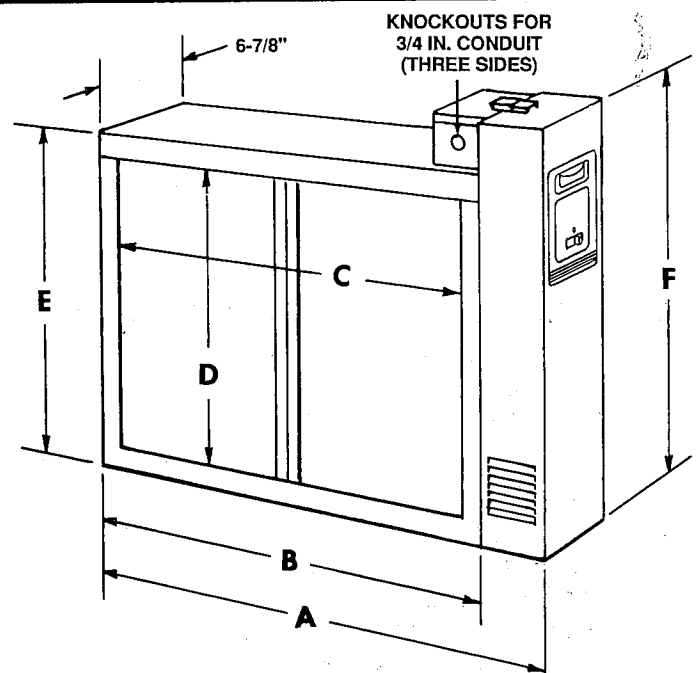
3. The air filter is not to be placed in the discharge of either the heating or cooling unit.
4. **IMPORTANT:** If atomizing spray type humidifier is used, it must be installed downstream from the air filter.

If your furnace duct system has a pre-installed boot, discard front cover of boot and slide the air cleaner component inside the boot. (Applies to 14C26S-01002 and 20C26S-01002.)

If furnace opening cannot be enlarged to required size, a transition sheet metal section must be used. Transition must be planned for each job. Reduction should not be more than 4 inches per linear foot, approximately 20 angular degrees (Figure 3).

DIRECTION OF AIR FLOW THROUGH THE AIR CLEANER

Your air cleaner is shipped from the factory with air flow from left-to-right. If this air flow is suitable for the installation, no further changes need to be made (Figure 4). For right-to-left air flow, remove both pre-filter and



Model No.	A	B	C	D	E	F
10C26S-01002	24-3/4	21-5/16	18-11/16	13-9/16	16-7/16	19-1/16
14C26S-01002	29-11/16	26-1/4	23-5/8	13-9/16	16-7/16	19-1/16
16C28S-01000	25-1/2	21-5/16	18-5/8	17-3/4	20-5/8	23-3/8
20C26S-01002	29-11/16	26-1/4	23-5/8	17-3/4	20-5/8	23-3/8

Figure 5

cell sections. Turn cells upside down (with the same end facing the cabinet opening). This will locate the ionizing wires at the right, and both contact buttons and cell handles will be facing the power door. Air flow direction must agree with arrow embossed on end of collecting cells.

After installing the cell sections, install pre-filters in cabinet tracks on the right. This will again place the pre-filters on the air entering side (on the same side as ionizing wires).

TYPICAL MOUNTING POSITIONS

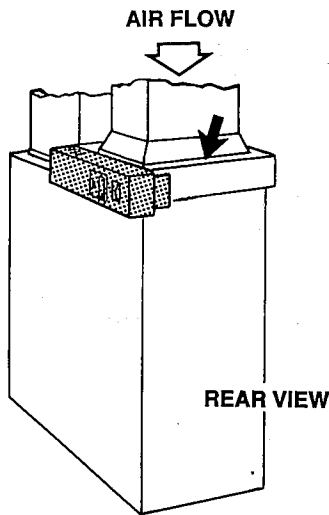


Figure 6

BASEMENT FURNACE (LOWBOY) (Figure 6)

Cleaner is mounted horizontally in return plenum, just above furnace.

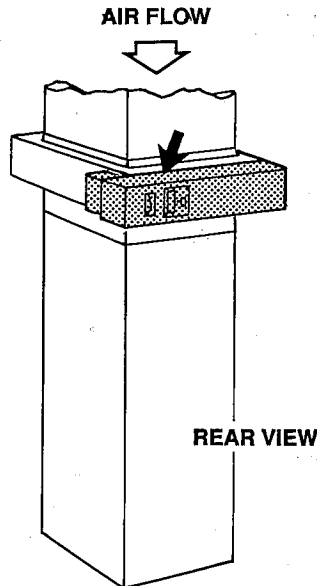


Figure 7

COUNTERFLOW FURNACE (Figure 7)

Cleaner is mounted horizontally in return duct or plenum, just above furnace.

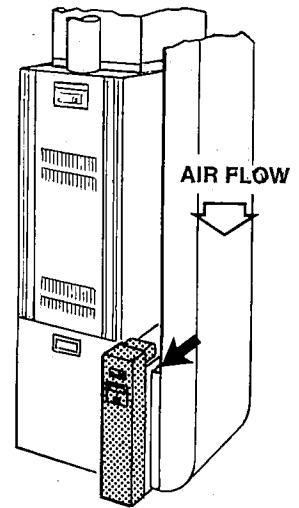


Figure 8

HIGHBOY FURNACE (Figure 8)

Side installation. Cleaner is mounted vertically, where return air enters side inlet of furnace.

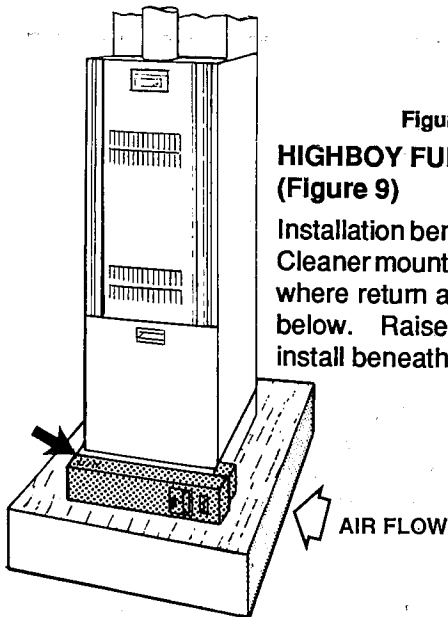


Figure 9

HIGHBOY FURNACE (Figure 9)

Installation beneath furnace. Cleaner mounts horizontally, where return air enters from below. Raise furnace and install beneath base.

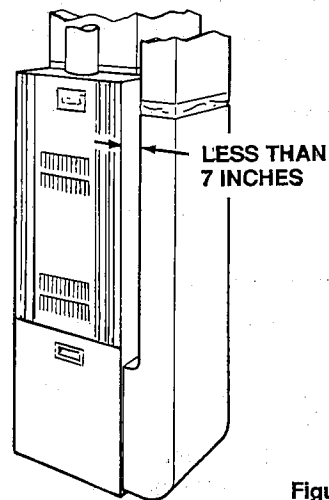


Figure 10

OFFSET INSTALLATION (Figure 10)

Typical use of duct offset to match air filter opening.

If duct connection to furnace allows less than nine inches for mounting the air cleaner, shorten the lateral trunk, or attach an offset fitting to the elbow.

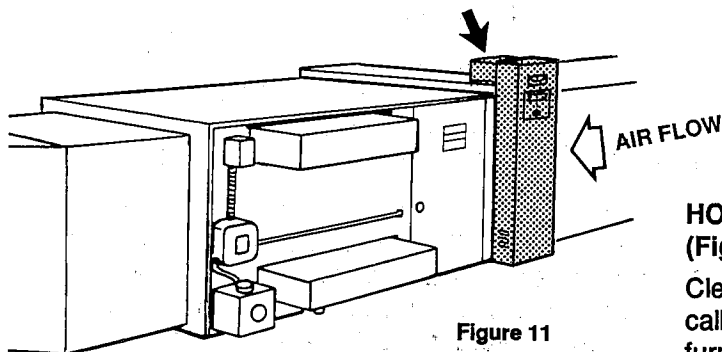
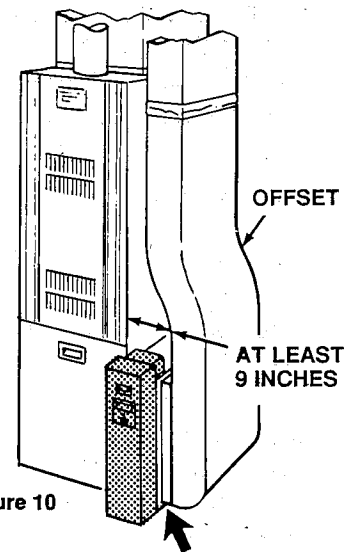


Figure 11

HORIZONTAL FURNACE (Figure 11)

Cleaner is mounted vertically in the return duct near furnace.

INSTALLATION

REMOVE OLD FILTER AND DISCARD (Figure 12)

NOTE: This filter may be mounted in the furnace compartment.

CLEAN BLOWER COMPARTMENT

It is suggested that the furnace blower compartment, blower and blower housing be cleaned to ensure clean air circulation.

INSTALLATION

The following is a typical installation of the air cleaner on a "Highboy" furnace (Figure 8).

1. Place the air filter cleaner on the floor. Stand it upright with the power door facing you (Figure 4). If a horizontal installation is being planned, lay the cleaner on its side, this will help you to visualize the relative location of all parts.

Allow ample space for wiring and servicing the power supply box (Figure 13).

2. Release the latch, remove the power pack (by grasping handle and pulling power pack away from cabinet) and set it aside. Remove the collecting cells and pre-filters. Set pre-filters and cells aside in a safe location until the cabinet is installed.

3. Set the cabinet next to the furnace. If necessary, enlarge the opening in the furnace (if possible) to match the opening in the cabinet.

If the furnace opening cannot be enlarged, a transition fitting should be used. (Figure 3).

The cabinet can be attached directly (Figure 13), or a starting collar can first be fitted to the furnace inlet. A butt or slip joint can be used.

Securely attach the cabinet to furnace inlet, using at least two of the mounting holes on each side of the cabinet.

4. Using butt joint, attach duct work (normally an elbow) to the upstream side of air cleaner cabinet. (Note the use of the sheet metal turning vanes inside the elbow to improve air distribution over the face of the cells.) (Figure 14)

NOTE: An optional method of attaching duct work to the cabinet is to modify the cabinet (Figure 15) by bending the tabs outward at a 90° angle and attaching duct work to tabs.

Transition Fittings

If the air duct does not fit the cabinet opening, a transition fitting should be used. Gradual transitions are preferred for greatest efficiency. Not more than four inches per linear foot (approximately 20° angle) should be allowed (Figure 3).

5. Connect the vertical duct section to the elbow. Wedge a wood block between floor and elbow for support (Figure 16).

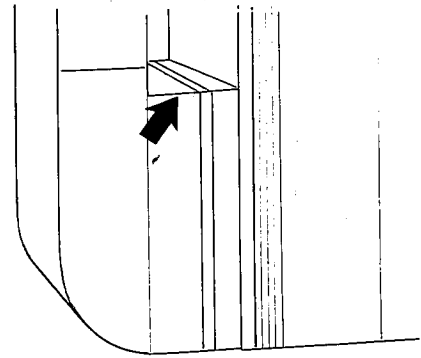


Figure 12

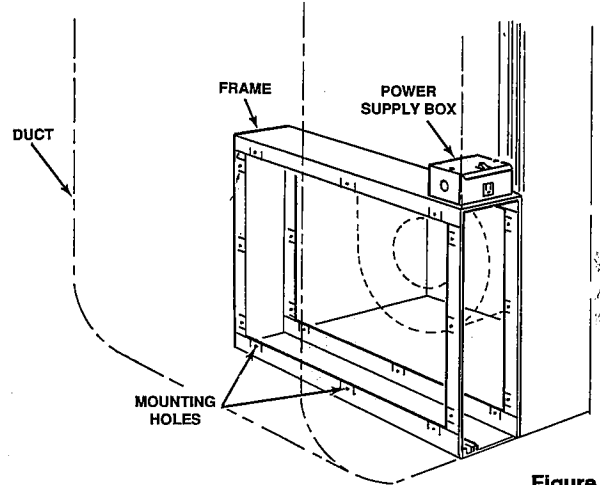


Figure 13

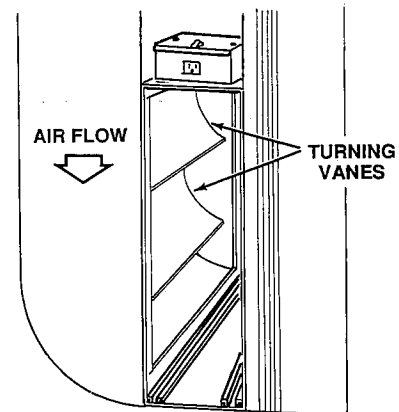


Figure 14

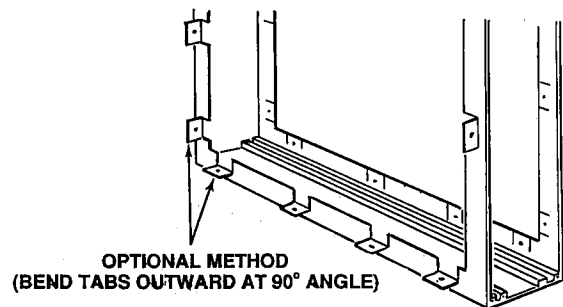


Figure 15

6. Seal all joints in the return air system, downstream from the air cleaner with duct tape to prevent dust from entering the airstream. Tape is usually applied on the outside of ducts, but may also be applied on the inside, or both.

Wiring

7. With the cabinet installed, the air cleaner can now be wired to electrical input source.

CAUTION: All wiring must be done by qualified electricians and must meet all national, state and local electrical codes.

8. Since this air cleaner unit has an air flow monitor installed, it does not require electrical wiring through the furnace controls. This unit requires a 120v AC 60 Hz input circuit. A 20 amp circuit is more than adequate.
9. Remove junction box cover and install the required bushing into the 3/4 in. knock out. With the supply voltage turned off, route three (3) wires into junction box for connections. See Fig. 17.

Insure all wires are clamped, wire connectors properly installed and grommets used to prevent wire abrasion.

10. With the cabinet installed, re-install pre-filter(s) and collecting cell(s) (Figure 19).

NOTE: The contact button and handles on the cell must be facing you and ionizing wires must be on the air intake side.

11. Install the power pack as follows:

Engage the lip on lower inside edge of power pack in the flange on cabinet and carefully close the power pack, making sure that the electrical connector prongs on the power pack enter the slots in the socket on cabinet. When the power pack is fully in place, engage the latch and snap it closed.

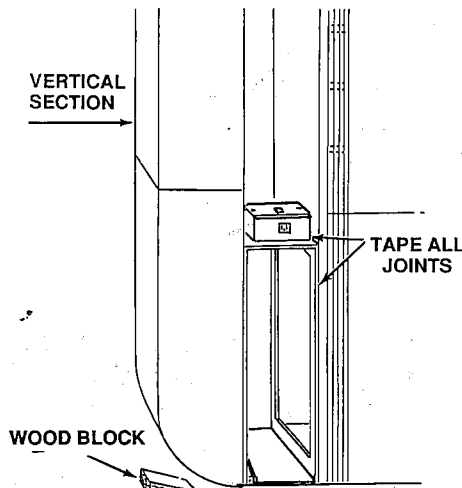


Figure 16

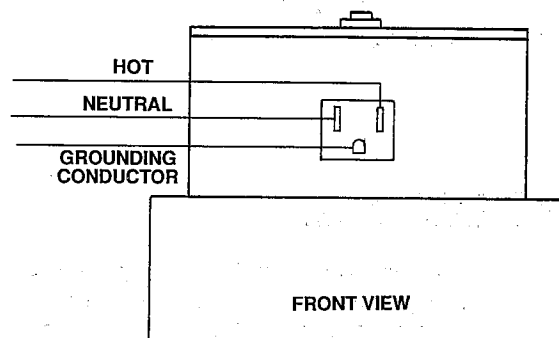


Figure 17

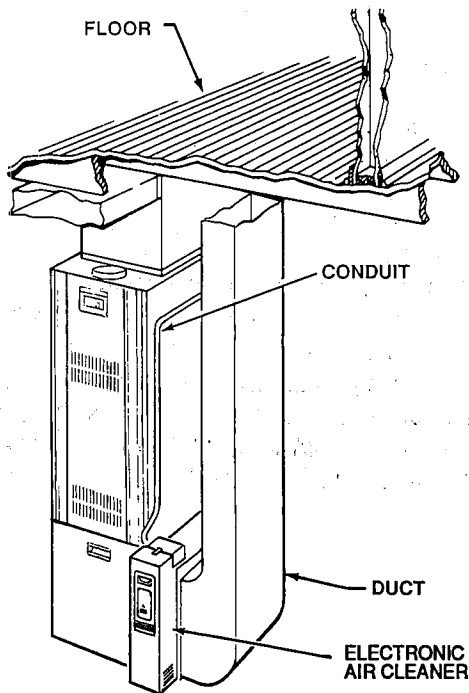


Figure 18

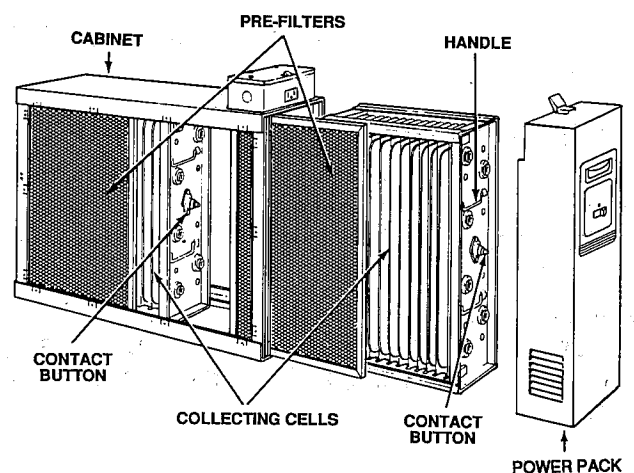


Figure 19

OPERATION

1. With the 120v AC power turned on at the circuit breaker for the furnace, push the air cleaner ON-OFF switch to the 'on' position (Figure 20)
2. With the furnace blower running, the air cleaner will be operating. An arcing or "snapping" sound may be heard. This will occur occasionally, however the unit is operating properly.
3. The performance light should be on. When out, the performance light signifies that the cells need washing, or that trouble exists in the unit.

If after washing the cells, the performance light stays off, the cell could be improperly placed in the cabinet, or need servicing.

NOTE: An occasional flicker of the light accompanied by harmless sparking or snapping noise may occur occasionally. It is caused by trapping large particles of dirt. If arcing is continuous, the cells should be washed or check for service problems.

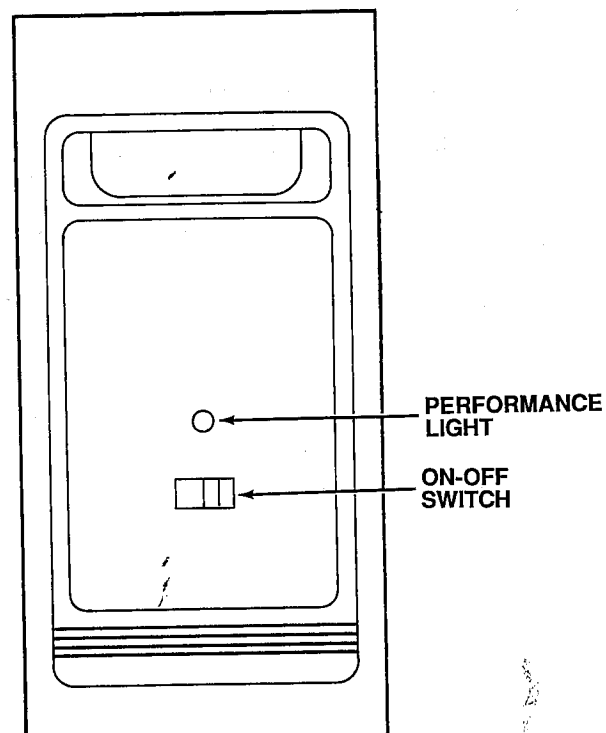


Figure 20

MAINTENANCE

For maximum efficiency your air cleaner cell(s) and pre-filter(s) should be inspected once a month and cleaned when necessary. Cleaning will usually be required every one to three months, depending upon the particular household circumstances. When cleaning is required the following procedure should be used:

CLEANING

1. Turn the air moving system "OFF."
2. Push the On-Off switch on the power pack to the OFF position (Figure 20). Wait 15 seconds and both the power pack and the collecting cell(s) will be automatically discharged.
3. Release the latch on top of power pack and pull the power pack straight away from cabinet at the top. Then lift pack out of ledge at bottom edge of cabinet. Set power pack aside.
4. Remove the cell(s) and pre-filter(s) from cabinet. Using a solution of warm water and low sudsing detergent, soak cell(s) and pre-filter(s) for 20 to 30 minutes.

NOTE: Ionizing wires may become coated causing loss of cleaning ability by the collecting cell. Using a damp cloth, wipe each ionizing wire, exercising care not to damage them.

5. Remove the cell(s) and pre-filter(s) from solution and rinse thoroughly with clean water.
6. Allow cell(s) and pre-filter(s) to drip dry for a **minimum of 2 hours**. Cell(s) and pre-filter(s) may be tipped at a slight angle to expedite the drip-dry process.
7. Reinstall the cell(s) and pre-filter(s) in the cabinet.
8. Replace the power pack. Turn furnace fan on. After 30 minutes push On-Off switch on the power pack to the ON position.

A moderate amount of arcing or "snapping" may occur at this time, which will indicate that the cell(s) are still damp. If the noise is objectionable, push the On-Off switch to the OFF position and allow additional time for cell(s) and pre-filter(s) to dry. In some cases the operating light will remain OFF during this initial activation of the air cleaner, and this would indicate that the cell(s) are not completely dry. The operating light should remain ON once the drying is complete.

REPLACING AN IONIZING WIRE

If an ionizing wire should break, it can be replaced as follows:

1. Remove all pieces of broken wire. Make sure supports at each end are in good condition and not bent out of shape.
2. Hook the new wire onto the support at one end.
3. Hold your finger against the support at the other end (Figure 21) and hold the ionizing wire between thumb and forefinger as shown or use needle nose pliers. Press on spring and on wire loop until it slips over the end of the support. Make sure wire is securely anchored at each end.

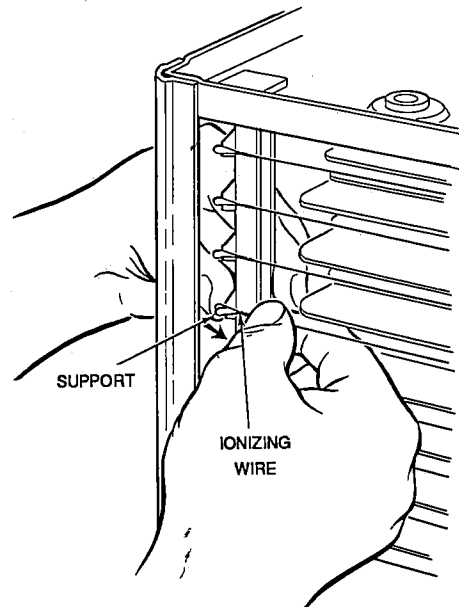


Figure 21

SPECIFICATIONS	10C26S-01002	14C26S-01002	16C28S-01000	20C26S-01002
Rated Capacity	600 - 1200 cfm	800 - 1600 cfm	1000 - 2000 cfm	1400 - 2200 cfm
Max. Pressure Drop	.08 in. W.G.	.08 in. W.G.	.12 in. W.G.	.09 in. W.G.
Cell Weight	(2) 7 lbs. each	(2) 9 lbs. each	(2) 9 lbs. each	(2) 11 lbs. each
Power Pack Weight	8 lbs.	8 lbs.	9 lbs.	9 lbs.
Unit Weight	34 lbs.	41 lbs.	37 lbs.	44 lbs.
Power Consumption	40 Watts (Max)	40 Watts (Max)	40 Watts (Max)	40 Watts (Max)
Electrical Input	120v 60 Hz.	120v 60 Hz	120v 60 Hz	120v 60 Hz
Electrical Output	1.0 MA @6400v DC (Nom)	1.2 MA @6400v DC (Nom)	1.5 MA @6400v DC (Nom)	1.7 MA @6400v DC (Nom)
Max. Ozone Output	.05 ppm	.05 ppm	.05 ppm	.05 ppm
Temperature Rating	40° F to 125° F	40° F to 125° F	40° F to 125° F	40° F to 125° F

TECHNICAL REPAIR GUIDE

This guide contains service checks to assist service personnel in locating and correcting any malfunction that might occur to render the air cleaner ineffective or inoperative. The air cleaner has been designed with replaceable components, such as the high-voltage power supply and air flow switch, which allows the serviceman to simply replace a defective component rather than attempt repairs of such components in the field.

The first chart "Basic Service Guide" will probably cover many owner complaints. If after checking the items listed, the air cleaner still fails to operate properly, continue with the second chart "Complete Checkout Procedure" until the trouble has been located.

(See wiring diagram)

WARNING: Risk of Electric Shock

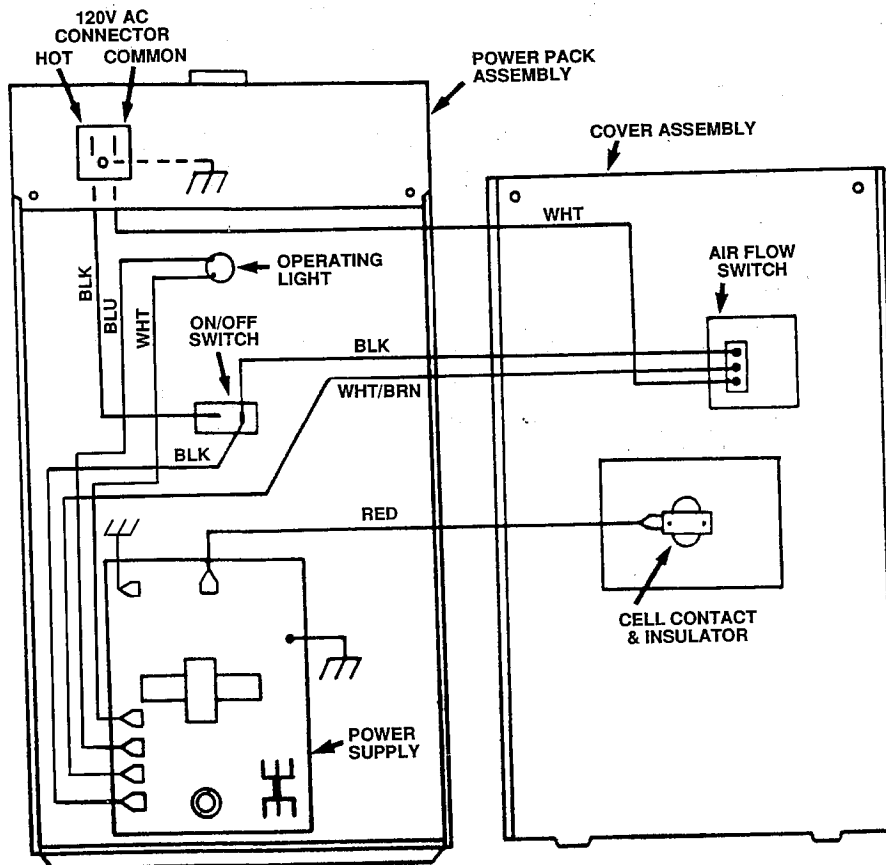
These servicing instructions are for use by qualified personnel only. To reduce the risk of electric shock, do not perform any servicing other than that contained in the operating instructions unless you are qualified to do so.

NORMAL OPERATION

On/Off switch "ON," Operating Light "ON"

Voltage on air cleaner cells either ionizer or plates 6100 to 6600v DC.

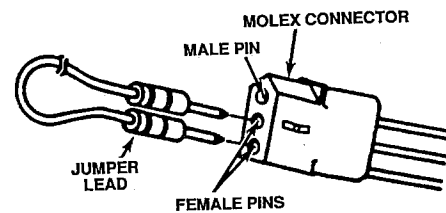
Voltage at power pack cell contact with no cells attached (open circuit) 6400 to 6800v DC.



NOTE: When servicing, wiring should be routed to factory specifications.

CELL OUTPUT (NOMINAL)

- 1000 CFM - 6.5Kv DC/1.0 MA
- 1400 CFM - 6.5Kv DC/1.25 MA
- 1600 CFM - 6.5Kv DC/1.5 MA
- 2000 CFM - 6.5Kv DC/1.75 MA



Alternate method for jumping lead wires of connector plug from air-flow-switch. This lead should be made locally.

BASIC SERVICE GUIDE

SERVICE INDICATION	SERVICE CHECKS
On/Off switch "ON"	1. Power is being supplied to the air cleaner, unit functioning properly.
On/Off switch "ON" Operating light "OFF"	1. Power is not being supplied to air cleaner. A. Make sure air system fan is operating. See Note #1. B. Check for voltage at air cleaner junction box. If none, check fuse or circuit breaker at 120v AC input line. C. Check On/Off switch which must be in "ON" position. 2. Remove power pack from air cleaner cabinet. Using a standard extension cord, apply 120v AC to power pack. A. If operating light comes "ON" problem is in collecting cells. Recheck. B. If operating light remains "OFF", malfunction is in the power pack. Continue with "Complete Checkout Procedure."
On/Off Switch "ON" Operating light "flickering"	1. Remove cells and wash thoroughly. 2. Check cells for any foreign object that might be lodged between plates of cell. 3. Check cells for broken ionizing wires, cracked insulator, or bent plates. 4. When replacing cells in cabinet ensure that the directional arrow on cells corresponds with direction of air flowing through air cleaner. Cell contacts must point toward power pack.
On/Off switch "ON"	1. Check voltage at air cleaner junction box. Voltage should not exceed 132v AC. NOTE: Air cleaner should not be wired to fan motor taps. 2. Remove cells and wash thoroughly. IMPORTANT: All ionizing wires must be completely clean with no build-up on wires.
NOTE #1: If your air cleaner is equipped with an air flow switch which turns the unit "On" and "Off" as the furnace fan cycles, it may be "wired out" to leave the unit "ON" continuously for service checks.	

COMPLETE CHECKOUT PROCEDURE

If the malfunction has not been eliminated in the "Basic Service Guide," proceed to the "Checkout Procedure" to locate the problem. When the defective component is discovered and replaced, the air cleaner will resume normal operation.

All voltage measurements indicated can be made with a high voltage D.C. probe and a general purpose volt ohm meter. For example: Simpson 260 or equivalent.

For testing the power pack, the air flow monitor may be "wired out" of the system. This will eliminate the need of air flow across the face of the monitor.

CHECKOUT PROCEDURE

CONDITION 1 - ON/OFF SWITCH "ON," OPERATING LIGHT "OFF."

1. Turn On/Off switch to the "OFF" position and remove the power pack from cabinet.
2. Check collecting cells for foreign object between plates, broken ionizing wires, bowed or bent plates, cracked insulator. Wash cells if required paying particular attention to cleaning all ionizing wires and the extended portions of the front frame.
3. Using the method described in the section "Cell Test," check the voltage of both collecting cells. The voltage should be 6100 to 6600v DC. If voltage is below 6100v DC, disconnect collecting cells.
4. Check voltage at power pack cell contact. Open circuit voltage should be 6100 to 6600v DC.
5. If voltage at cell contact is 6100v DC or above, problem is in collecting cells. Recheck in accordance with Step #2.
6. If voltage at cell contact is below 6100v DC, problem is in power pack. Turn off power and remove back panel from power pack.
7. Remove the Molex Connector from the air flow switch and "wire out" the air flow switch.
8. Check all wiring points and connectors inside the power pack for tightness.
9. Apply 120v AC to power pack and measure voltage at terminals marked "120v AC, BLK/WHT/BRN" on D.C. power supply. Voltage should be the same as that applied.
NOTE: The black and white/brown wire connectors are insulated so it may be necessary to partially remove them from the spade connectors to take the voltage reading properly.
10. Check voltage output at terminals marked "LIGHT, WHT-BLUE" on D.C. power supply. **DO NOT DISCONNECT LIGHT WIRES FROM TERMINAL.** Voltage should be $.2v DC \pm .5$.
 - A. If voltage to Light is 1.5 AC or above, replace Operating Light.
 - B. If voltage to Light is below $.2v DC$, check voltage at terminal marked "High Voltage-Red."
 - C. If voltage at terminal is 6100v DC or above, power supply is functioning properly.
 - D. If voltage at terminal is below 6100v DC, replace the D.C. power supply.

D.C. POWER SUPPLY SPECIFICATIONS

The power supply is a Solid State, High Frequency AC to DC power source and is not designed for individual component part replacement. Electro-air recommends the replacement of the entire "snap-in" power supply in the event of a failure.

Input voltage	120v AC, 60 Hz
Output to Light	$.2v AC \pm .5$
H.V. Output (no load)	6400 - 6800v DC
H.V. Output (loaded)	6100 - 6600v DC

CELL TEST

1. Place collecting cell on a well insulated work bench with the cell contact button pointing upward.
2. Select a power pack that reads between 6100 and 6600v DC at the cell contact in an open circuit mode.
3. Place the power pack on top of the collecting cell ensuring that there is proper contact between the cell contact on the power pack contact.
4. Using a standard extension cord, apply 120v AC to power pack. Turn On/Off switch "ON."
5. Measure voltage at collecting cell ionizer or cell plates. Voltage should be 6100 to 6600v DC.
 - A. If voltage is above 6100v DC, test other cell (if applicable).
 - B. If voltage is below 6100v DC, check cell as prescribed in Step #2, Condition #1.

NOTE: When replacing collecting cells in cabinet, ensure that the arrows on cells point in the same direction as the air flow through ductwork. To reverse air flow, turn cells upside down. Cell contact buttons must point toward the power pack.

AIR FLOW MONITOR TEST

1. Connect a multimeter set to read 120v AC to power supply terminals marked "LINE."
2. Connect 120v AC to power pack plug, turn On/Off switch "ON."
3. Blow on thermistor at air flow monitor. 120v AC should appear at multimeter. Stop blowing and voltage should disappear in 10 - 15 seconds.
4. If voltage did not appear (Step 3), disconnect power to power pack. Install an insulated jumper from terminal of "white" air flow monitor wire to terminal of the "white/brown" air flow monitor wire. Reconnect power to power pack. Turn On/Off switch "ON."
 - A. If 120v AC appears at multimeter, replace air flow monitor.
 - B. If 120v AC does not appear on multimeter, problem is other than air flow monitor. Recheck all primary wiring.

NOTE: The air flow monitor is designed to operate in the temperature range of 65° to 120° F. Operation outside this range is not recommended.

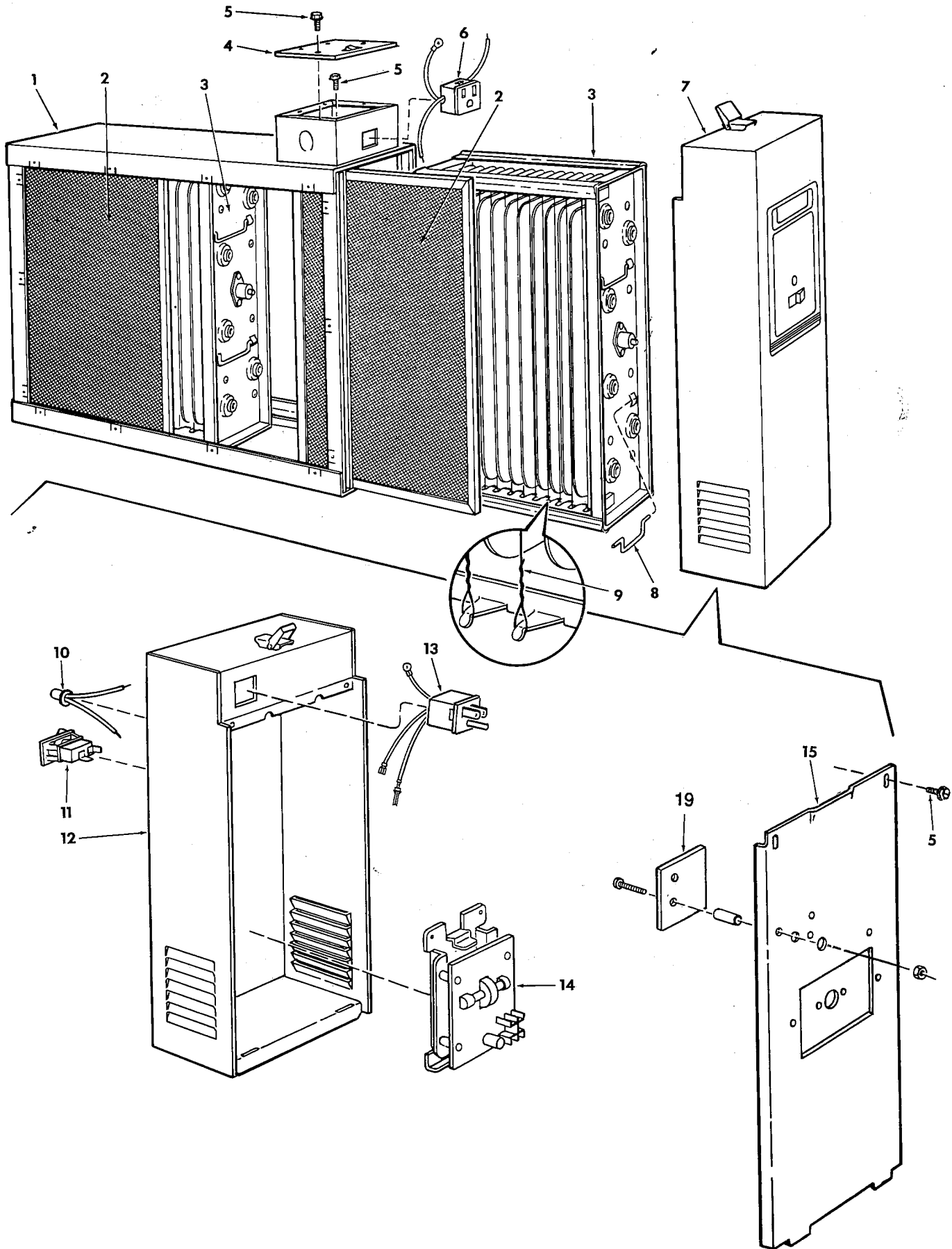
Now that you have purchased your Air Cleaner, should you need further information on installation or further instructions, you may write to:

**Emerson Electric Company
9797 Reavis Road
St. Louis, MO 63123
Attn: Customer Service Department**

or:

**To call our Technical Service Department (8:00 a.m. - 4:30 p.m. CST)
Dial 1-314-577-1300 or Dial Toll Free 1-800-876-TECH**

REPAIR PARTS



REPAIR PARTS

PARTS LIST FOR ELECTRONIC AIR CLEANERS

When ordering repair parts, always give the following information as shown in this list.

1. The PART NUMBER
2. The PART DESCRIPTION
3. The MODEL NUMBER
4. The NAME OF ITEM - Electronic Air Cleaner

Always Order by "Part Number" . . . Never by "Item No."

ITEM NO.	DESCRIPTION	PART NUMBER			
		10C26-01002	14C26S-01002	16C28S-01000	20C26S-01002
1	Cabinet	F808-0702	F808-0703	F808-0704	F808-0705
2	Pre-Filter	• F825-0431	• F825-0432	• F825-0337	• F825-0338
3	Collecting Cell	• F811-0398	• F811-0397	• F811-0321	• F811-0319
4	Junction Box Cover	F838-0072	F838-0072	F838-0072	F838-0072
5	* Screw #6 x 3/8	—	—	—	—
6	Connector, Female	F818-0053	F818-0053	F818-0053	F818-0053
7	Power Pack Assembly	F858-0919	F858-0919	F858-0920	F858-0920
8	Cell Handle	F832-0039	F832-0039	F832-0039	F832-0039
9	Ionizing Wire	F843-0484	F843-0484	F843-0500	F843-0500
10	Light	F844-0130	F844-0130	F844-0131	F844-0131
11	Switch	F876-0202	F876-0202	F876-0202	F876-0202
12	Power Pack, Cabinet Only	F858-0922	F858-0922	F858-0923	F858-0923
13	Connector, Male	F827-0026	F827-0026	F827-0026	F827-0026
14	Power Supply	F858-0903	F858-0903	F858-0903	F858-0903
15	Cover, Power Pack	F820-0098	F820-0098	F820-0220	F820-0220
16	† Manual	846-2026E	846-2026E	846-2026E	846-2026E
17	† Charcoal Filter (w/clips) (First Inst.)	F825-0466	• F825-0467	• F825-0468	• F825-0469
18	† Charcoal Filter (w/o Clips) (Repl.)	F825-0474	• F825-0475	• F825-0476	• F825-0477
19	Air Flow Switch (w/Mtg. Hdwr.)	F859-0292	F859-0292	F859-0292	F859-0292

* Standard Hardware Item

• Two (2) Required

† Not Shown

WARRANTY TO CONSUMER - PURCHASER

electro-air

ELECTRONIC AIR CLEANERS

LIMITED WARRANTY

This type Electro-air electronic air cleaner is warranted to the consumer against defects in materials and workmanship for **24** months from date of installation. The electronic air cleaner must be installed by a competent heating and/or air-conditioning contractor in accordance with Electro-Air installation instructions, operated within the unit's listed capacity, and not moved from the original installation site. **NO OTHER WARRANTY, WRITTEN OR ORAL, APPLIES.** No employee, agent, dealer, or other person is authorized to give any warranty on behalf of Electro-Air.

If service is required it must be performed by a competent heating and/or air conditioning contractor (preferably the installing contractor). Electro-Air's liability is limited to replacement of defective parts and does not include the cost of labor, other expenses in servicing the unit, or incidental or consequential damages. **SOME STATES DO NOT ALLOW THE EXCLUSION OR LIMITATIONS ON THE LENGTH OF WARRANTY ON INCIDENTAL OR CONSEQUENTIAL DAMAGES, SO THE ABOVE LIMITATIONS OR EXCLUSIONS MAY NOT APPLY TO YOU.**

If the installing dealer or contractor fails to render performance under the terms of this Limited Warranty within a reasonable time, then contact in writing:

WHITE-RODGERS



White-Rodgers Division, Emerson Electric Co.
9797 Reavis Road, St. Louis, MO 63123
(314) 577-1300



The consumer may be asked to return the air cleaner or part(s) claimed to be defective to White-Rodgers, 303 North Industrial Park Rd., Harrison, Arkansas 72601 or nearest distributor point, at the expense of the consumer. The consumer will be expected to supply information on serial number, date of installation, name of installing dealer, and model number of the unit involved.

THIS WARRANTY GIVES YOU SPECIFIC LEGAL RIGHTS, AND YOU MAY ALSO HAVE OTHER RIGHTS WHICH VARY FROM STATE TO STATE.