

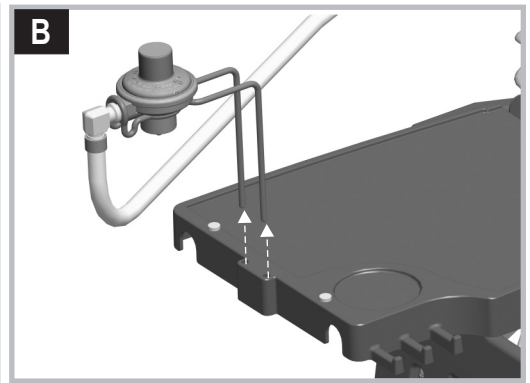
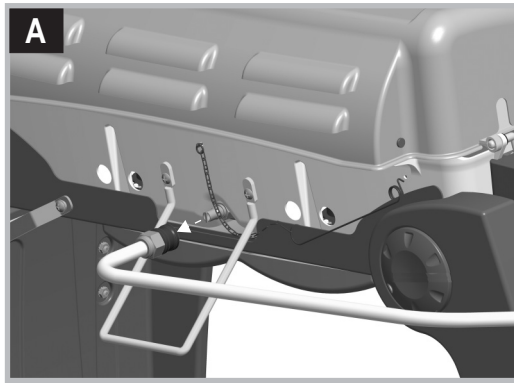
## Hose Regulator Replacement

**A** Pull back outer ring of hose connector and remove connector from gas inlet at back of grill.

**B** Remove hose regulator support wires from holes in end of left side shelf.

Follow steps in reverse order to assemble new hose regulator.

Note: Perform leak tests as described in the care and use section of your owner's manual.



## Lower Casting Replacement

**C** Remove lid by removing (2) hinge pins and cotter pins.

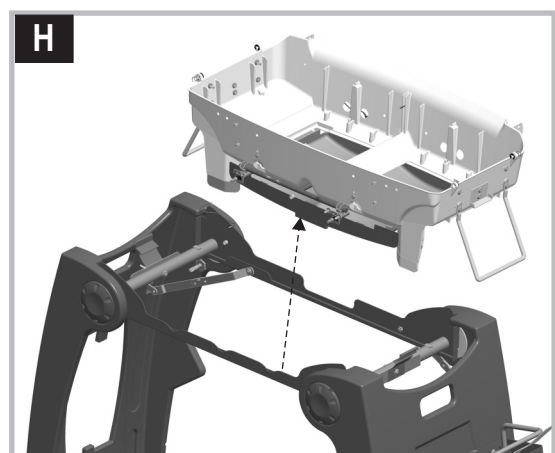
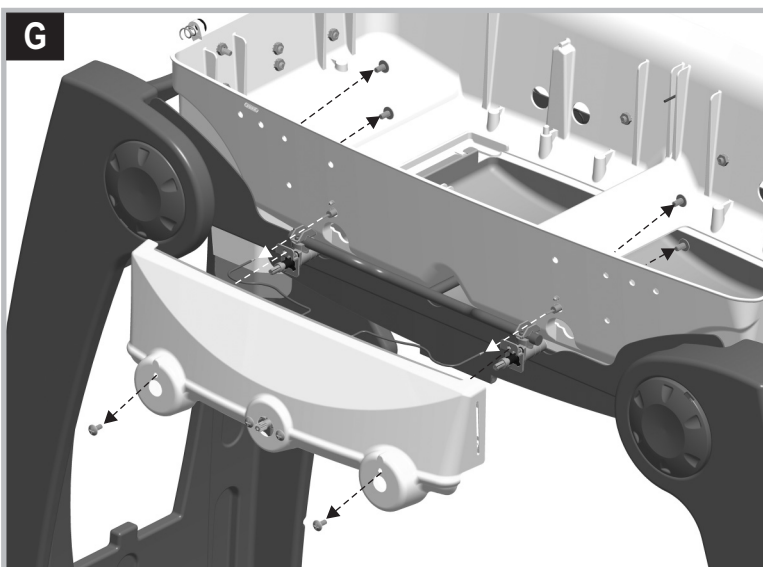
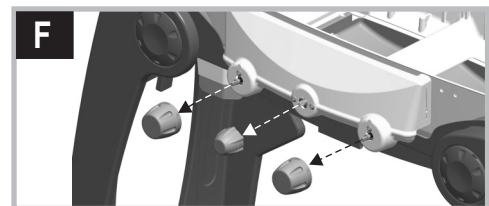
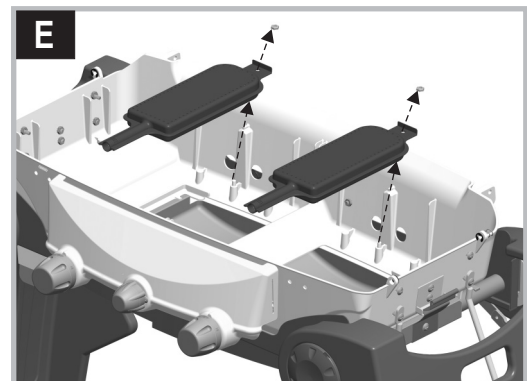
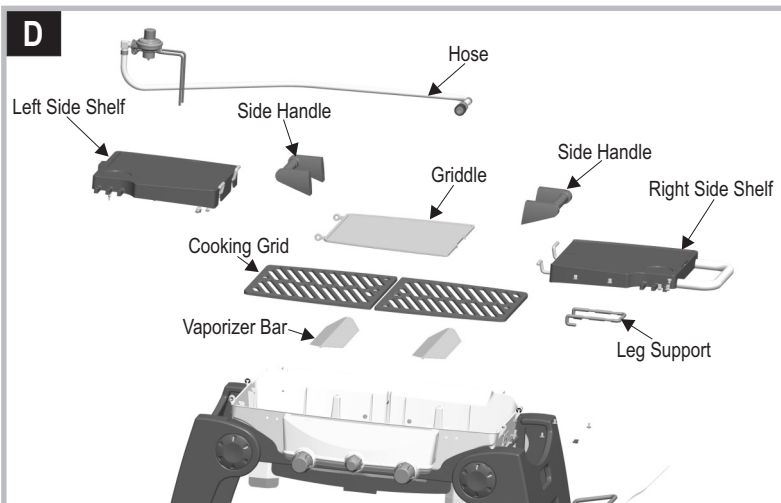
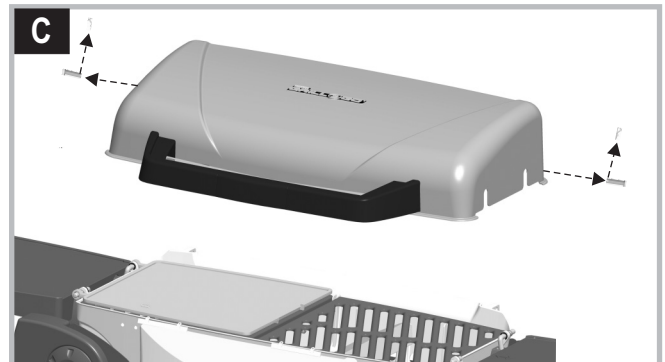
**D** Remove griddle, hose, side shelves, leg support, side handles, cooking grids and vaporizer bars.

**E** Detach pal nuts and remove both burners.

**F** Pull off control knobs and rotary igniter knob.

**G** Remove screws on valves and control panel. Disconnect igniter wires from electrodes.

**H** Lift out lower casting. Follow steps in reverse order to assemble new lower casting.



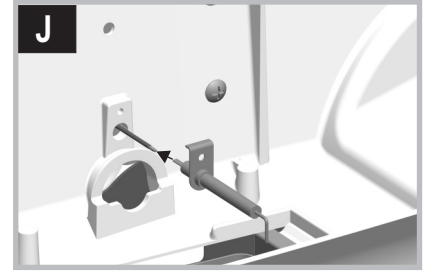
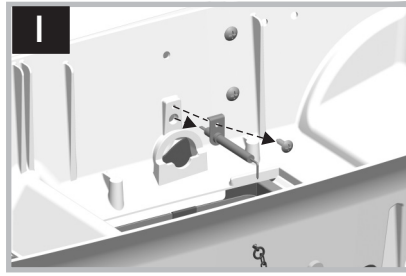
## Ignitor Replacement

**I** Remove screw from electrode.

**J** Disconnect ignitor wire from electrode.

Follow steps in reverse order to assemble new ignitor.

Note: Follow ignitor lighting instructions listed in the care and use section of your owner's manual.



## Control Panel Replacement

Remove griddle, cooking grids, vaporizer bars, control knobs and ignitor knob.

**K** Remove screws from valves, rotary ignitor and control panel. Disconnect ignitor wires from electrodes (**J**).

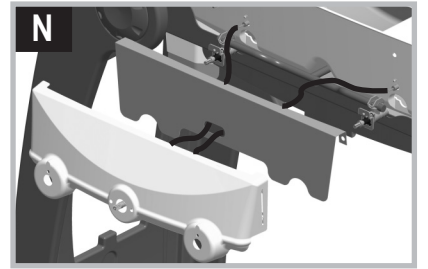
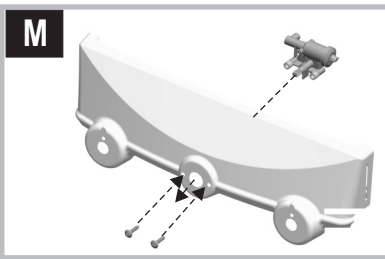
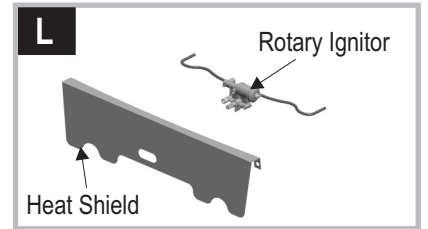
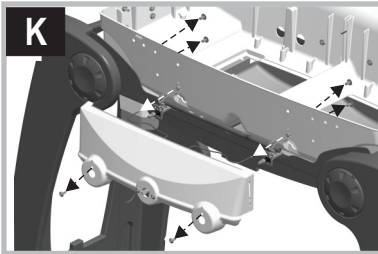
**L** Remove heat shield and rotary ignitor.

**M** Attach rotary ignitor to new control panel.

**N** Thread ignitor wires into slot in heat shield. Attach ignitor wires to electrode.

Reattach control panel assembly to grill bottom.

Note: Follow ignitor lighting instructions listed in the care and use section of your owner's manual.



## Burner Replacement Follow step (E).

Note: Perform leak tests as described in the care and use section of your owner's manual.

## Valve/Manifold Replacement

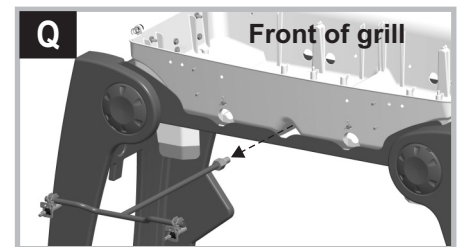
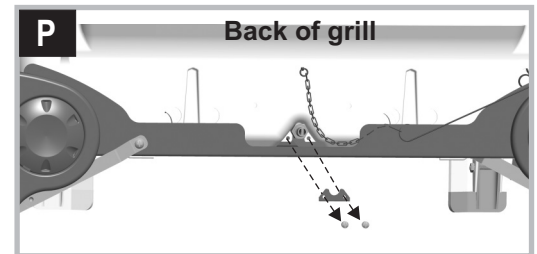
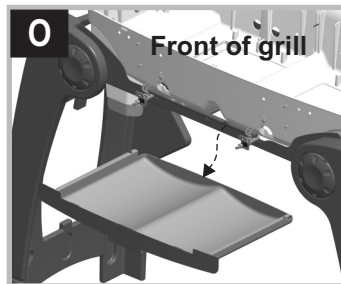
Follow step (G) to remove control panel.

**O** Remove grease tray.

**P** Remove bracket from rear of grill near hose connector.

**Q** Remove old valve/manifold and replace with new valve/manifold.

Note: Perform leak tests as described in the care and use section of your owner's manual.



## Side Shelf Replacement (Left or Right)

**R** Remove "E-clips" from side shelf using pliers.

**S** Remove side shelf.

Replace new side shelf securing with new "E-clips".

