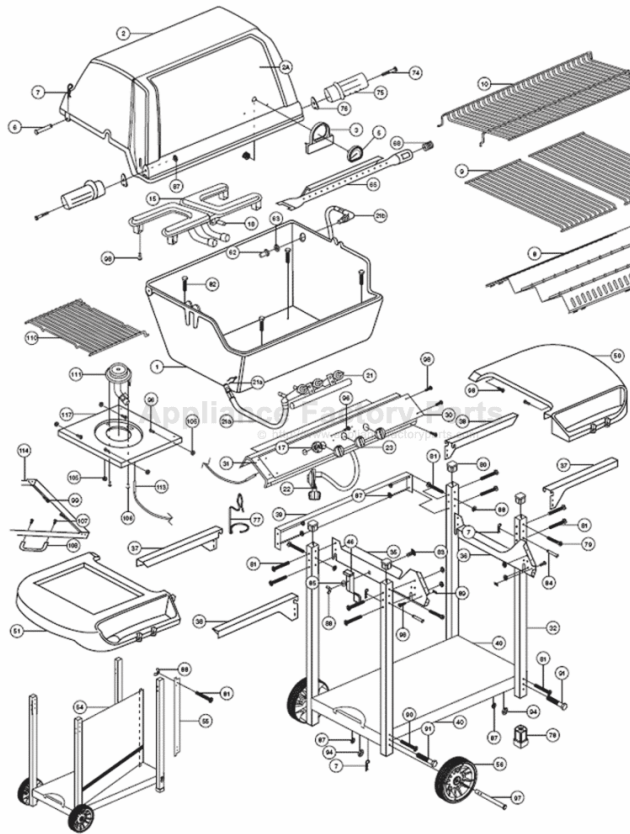


This Owner's Manual is provided and hosted by [Appliance Factory Parts](#).



Broil-Mate 4454-7 Owner's Manual

[Shop genuine replacement parts for Broil-Mate 4454-7](#)



[Find Your Broil-Mate Grill Parts - Select From 682 Models](#)

----- Manual continues below -----

broil-mate™

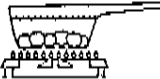
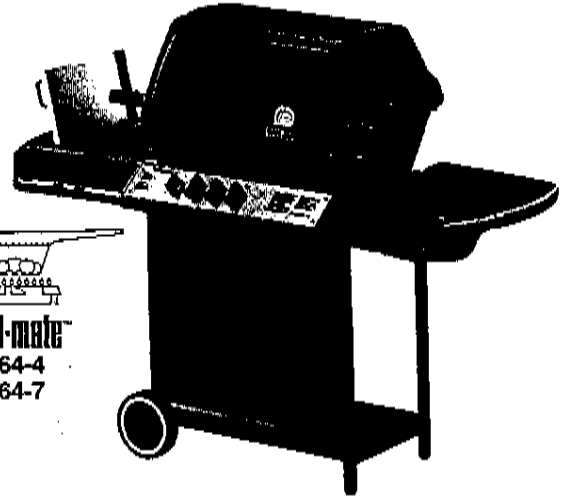
REDDI-BILT BARBECUES

ASSEMBLY MANUAL & PARTS LIST

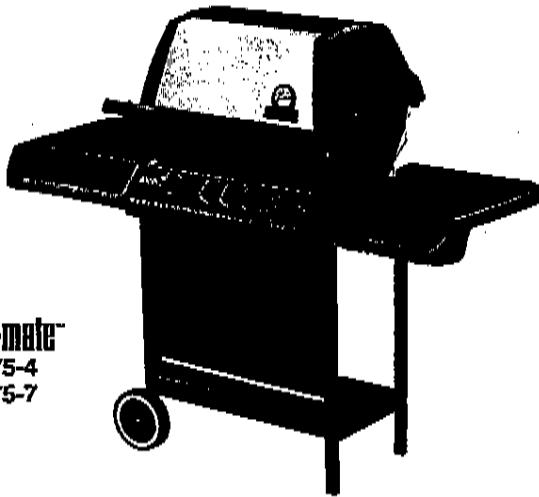
MANUEL DE MONTAGE & LISTE DE PIÈCES



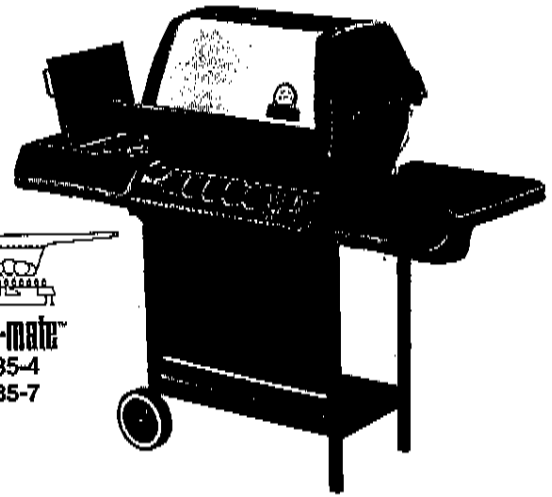
broil-mate™
4454-4
4454-7



broil-mate™
4464-4
4464-7



broil-mate™
4475-4
4475-7

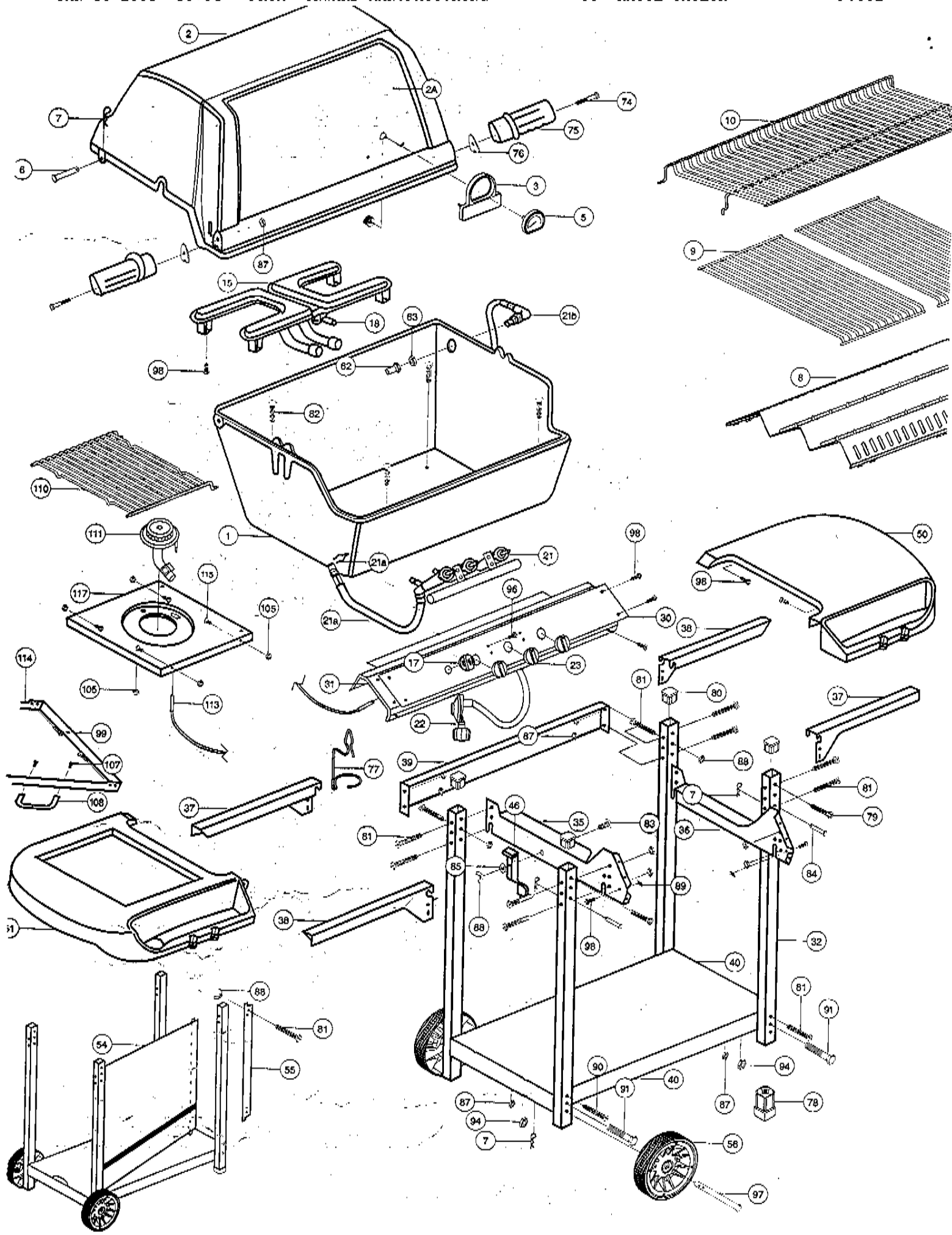


broil-mate™
4485-4
4485-7

RETAIN FOR FUTURE REFERENCE

VEUILLEZ CONSERVER POUR REFERENCE ULTERIEURE

Onward
MANUFACTURING COMPANY
SINCE 1906
585 KUMPF DRIVE
WATERLOO, ONTARIO, CANADA
N2V 1K3



PARTS LIST/LISTE DES PIECES

#	#	DESCRIPTION	DESCRIPTION	4454-4	4454-7	4464-4	4464-7	4475-4	4475-7	4485-4	4485-7
79.	Y-11546	BOLT - SHOULDER 1/4 : 20 x 5/8	BOULON 1/4 : 20 x 5/8	4	4	4	4	4	4	4	4
80.	Y-12666	TUBE CAP	BOUCHON FEMELLE DE TUYAU	4	4	4	4	4	4	4	4
81.	S21017	BOLT 1/4 : 20 x 1 3/4	BOULON 1/4 : 20 x 1 3/4	14	14	14	14	14	14	14	14
82.	S21015	BOLT 1/4 : 20 x 1	BOULON 1/4 : 20 x 1	4	4	4	4	4	4	4	4
83.	S21141	CARRIAGE BOLT - 1/4:20 X 3/8	BOULON - 1/4:20 X 3/8	1	*	1	*	1	*	1	*
84.	10240-15	HINGE PIN	ATTACHE DE CHEVILLE	4	4	4	4	4	4	4	4
85.	S21255	WASHER	RONDELLE	1	*	1	*	1	*	1	*
87.	Y-11793	NUT - 1/4	ECROU - 1/4	24	24	24	24	24	24	24	24
88.	Y-11598	NUT WING - 1/4	ECROU PAPILLON - 1/4	3	2	3	2	3	2	3	2
89.	Y-11212	TINNERMAN NUT	ECROU TINNERMAN	4	4	4	4	4	4	4	4
90.	S21018	BOLT - 1/4:20 x 1-1/2	BOULON - 1/4:20 x 1-1/2	2	2	2	2	2	2	2	2
91.	Y-11967	HEX HEAD BOLT 3/8 : 16 x 1 3/4	BOULON	4	4	4	4	4	4	4	4
94.	Y-12285	NUT - 3/8	ECROU - 3/8	4	4	4	4	4	4	4	4
96.	Y-29305	BOLT - 10:24 X 3/8	BOULON - 10:24 X 3/8	2	2	8	8	4	4	8	8
97.	10240-13	WHEEL BOLT	ROUE BOULON	2	2	2	2	2	2	2	2
98.	S21124	SCREW - 8 X 1/2	VIS - 8 X 1/2	14	14	14	14	18	18	18	18
99.	Y12646	SCREW SHOULDER - 8 x 1/2	Vis - 8 x 1/2	*	*	2	2	*	*	2	2
105.	Y-29307	NUT - 10:24	ECROU - 10:24	*	*	4	4	*	*	4	4
107.	S21136	SCREW - 8-32 x 3/8	VIS - 8-32 x 3/8	*	*	4	4	*	*	4	4
108.	FB20-80	LID HANDLE	POIGNEE	*	*	1	1	*	*	1	1
109.	S21562	PUSHMOUNT CABLE	RUBAN D'ACIER	*	*	1	1	*	*	1	1
110.	10225-T09	GRID	GRILLE	*	*	1	1	*	*	1	1
111.	10380-E10	SIDE BURNER	BRULEUR DE COTE	*	*	1	1	*	*	1	1
113	10342-T14	ELECTRODE - SIDE BURNER	ELECTRODE - BRULEUR DE COTE	*	*	1	1	*	*	1	1
114.	10383-E401	COVER - SIDE BURNER	COUVERCLE LATERAL	*	*	1	1	*	*	1	1
117.	10393-E60	SHELF-SIDE BURNER	SUPPORT DE BRULEUR DE COTE	*	*	1	1	*	*	1	1