

This Owner's Manual is provided and hosted by [Appliance Factory Parts](#).



Broil-Mate 2554-4 Owner's Manual

[Shop genuine replacement parts for Broil-Mate 2554-4](#)



[Find Your Broil-Mate Grill Parts - Select From 682 Models](#)

----- Manual continues below -----

STERLING®

REDDI-BILT BARBECUES

ASSEMBLY MANUAL & PARTS LIST

MANUEL DE MONTAGE & LISTE DE PIÈCES



STERLING®
2554-4
2554-7



STERLING®
2564-4
2564-7

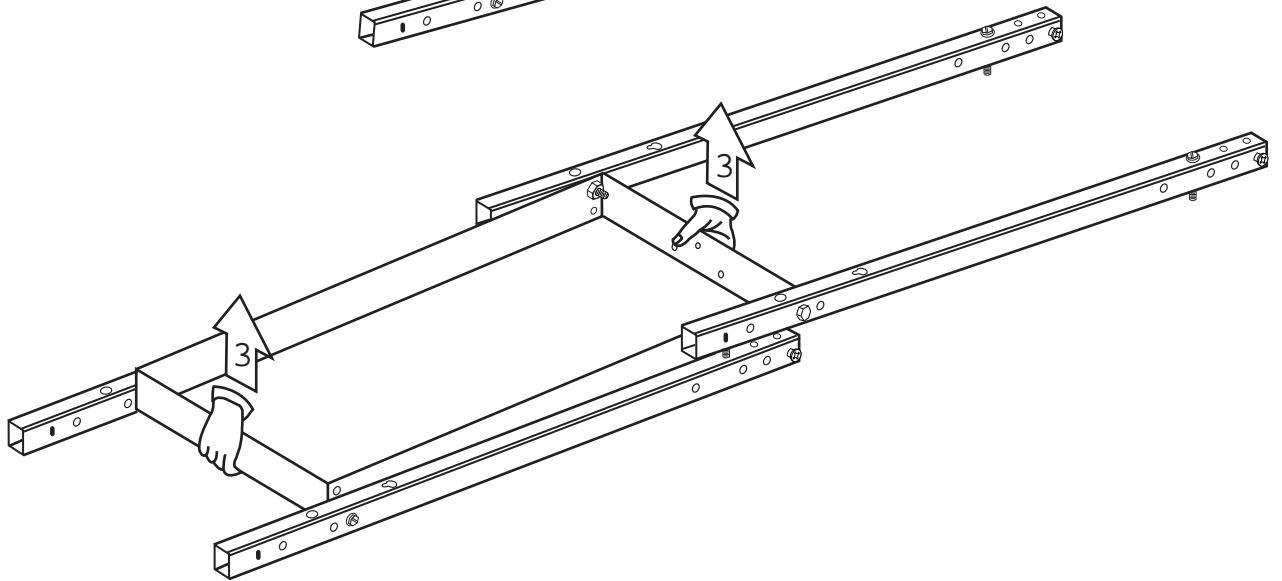
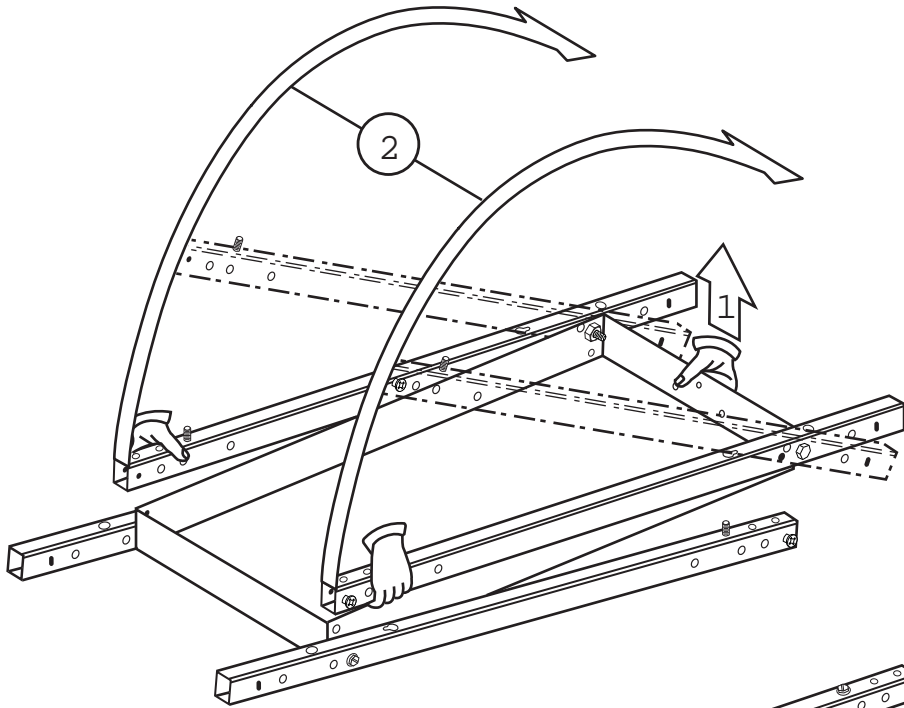
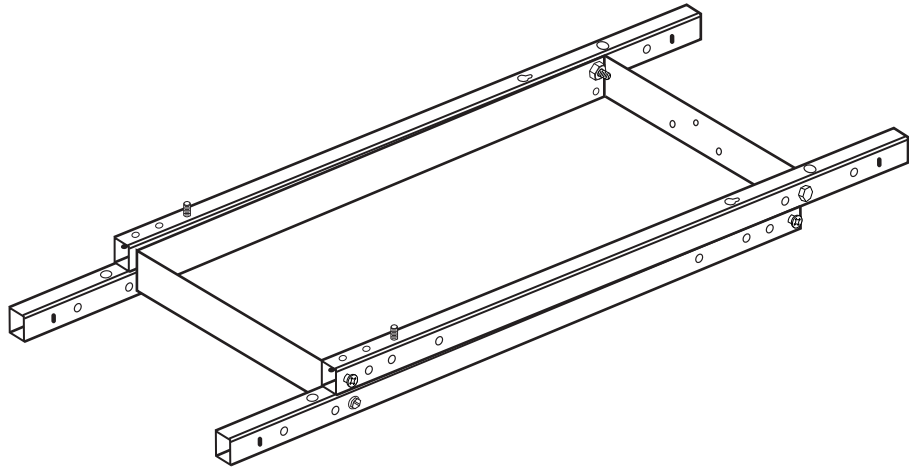
RETAIN FOR FUTURE REFERENCE

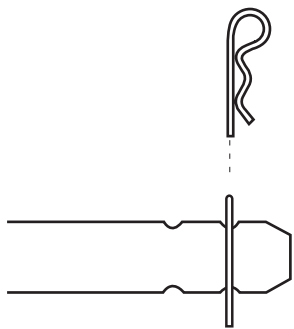
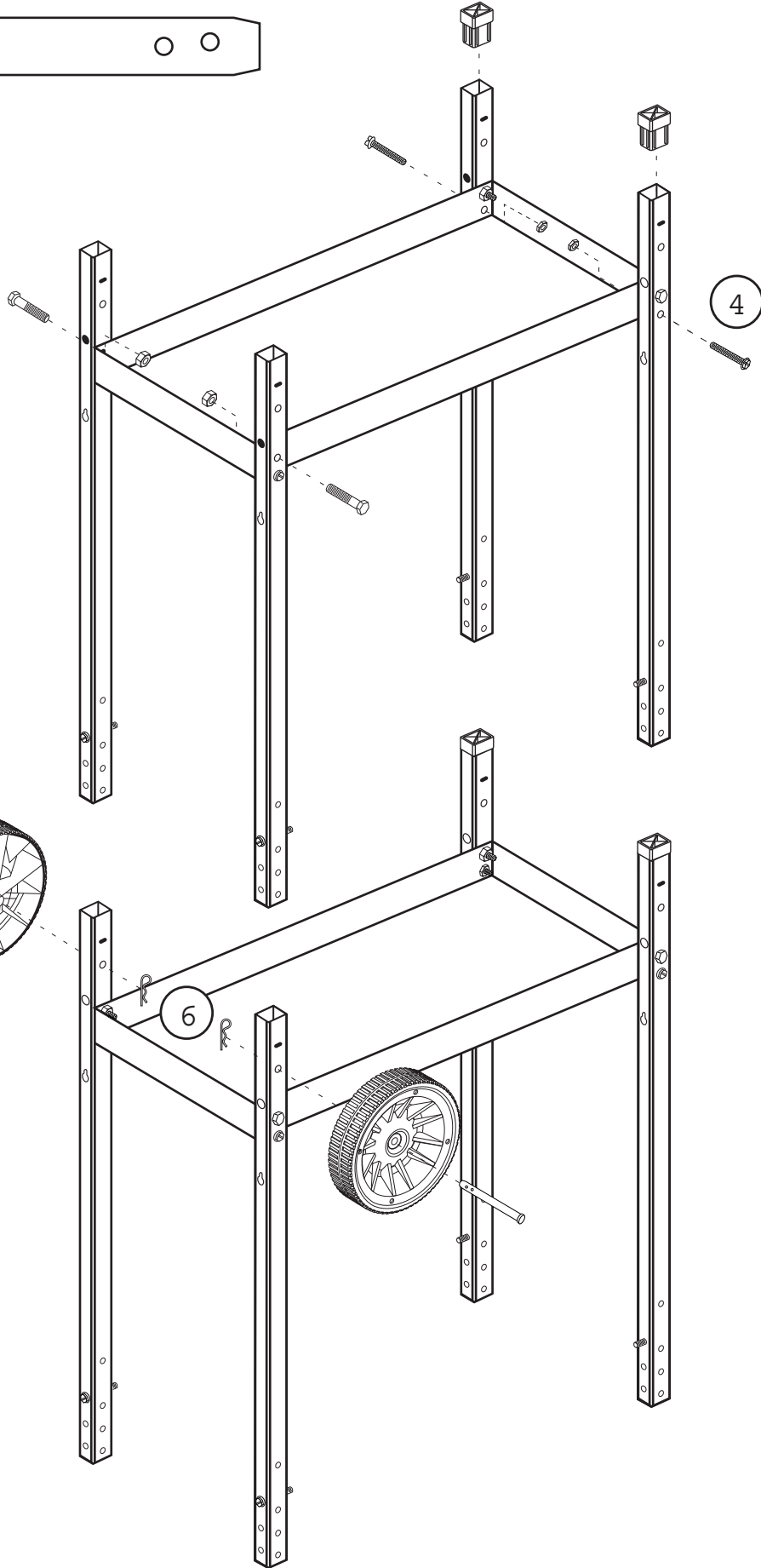
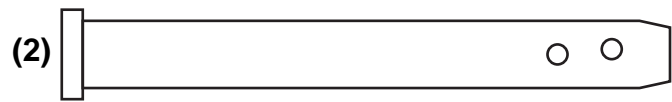
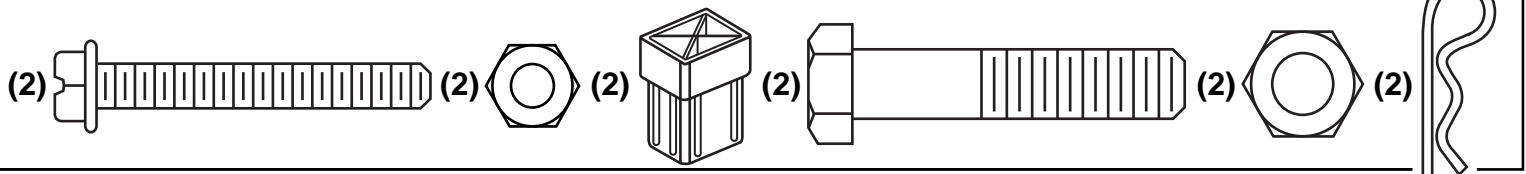
VEUILLEZ CONSERVER POUR REFERENCE ULTERIEURE

Onward
MANUFACTURING COMPANY LIMITED
SINCE 1906
585 KUMPF DRIVE
WATERLOO, ONTARIO, CANADA
N2V 1K3

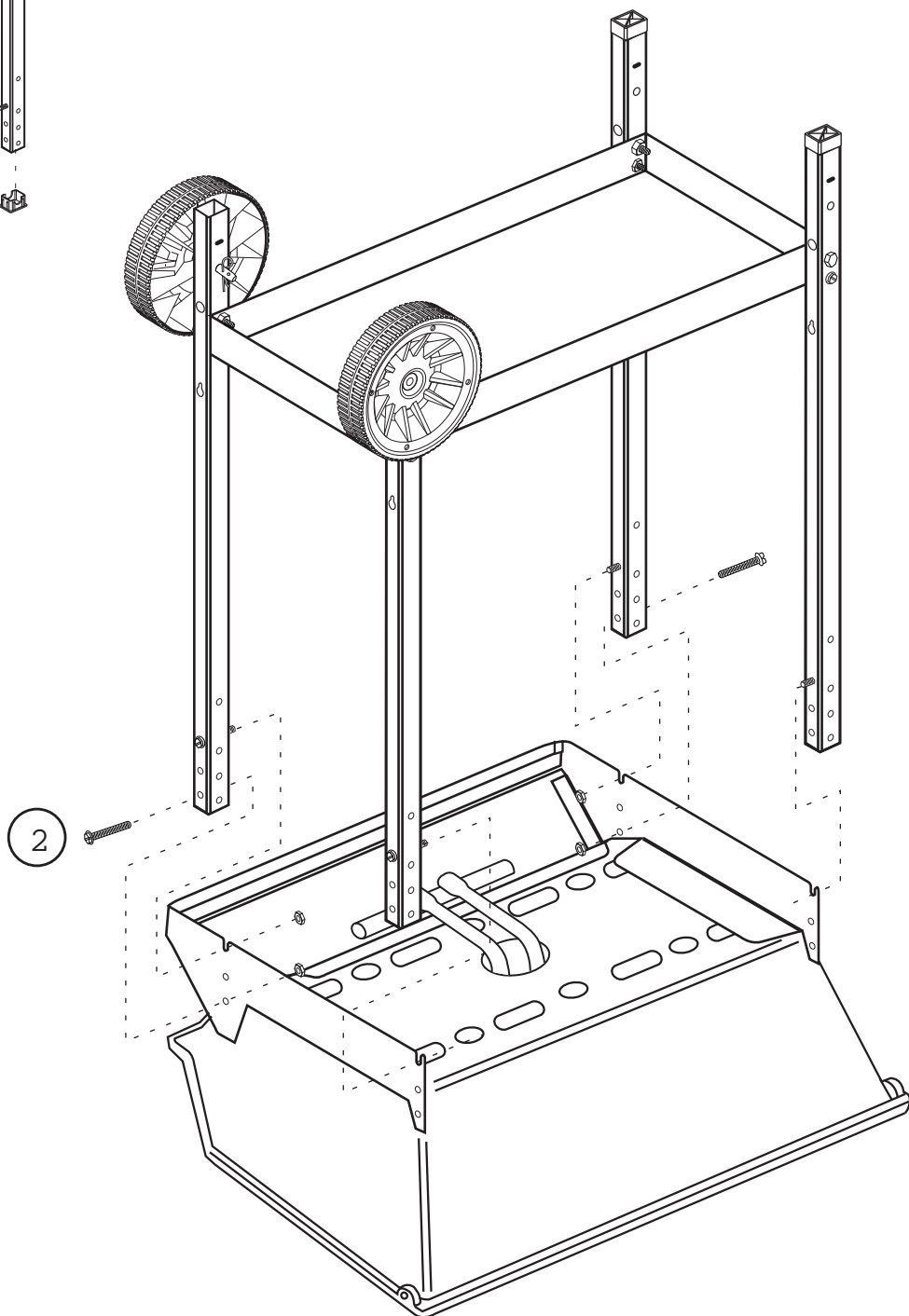
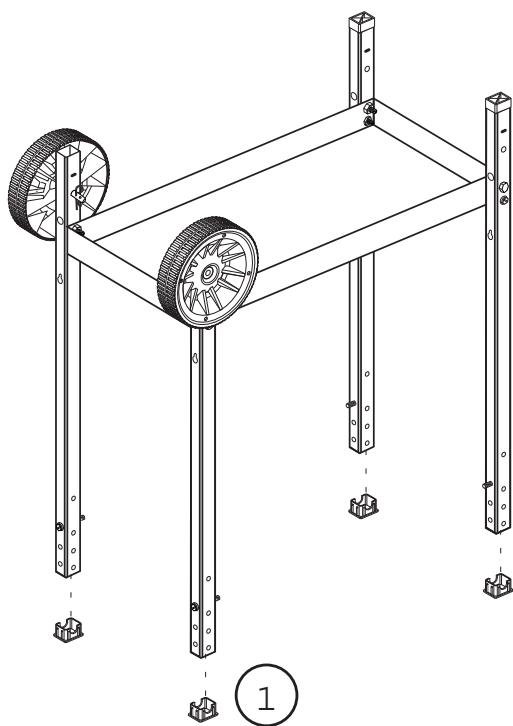
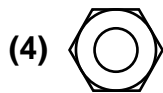
S18491 REV. C 12/02

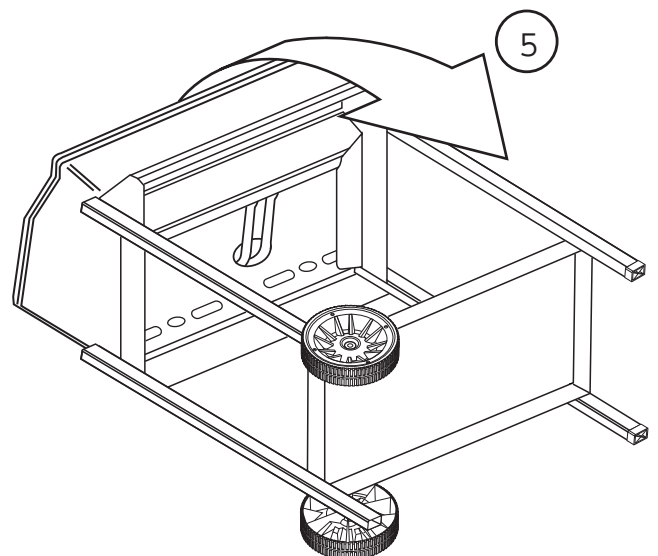
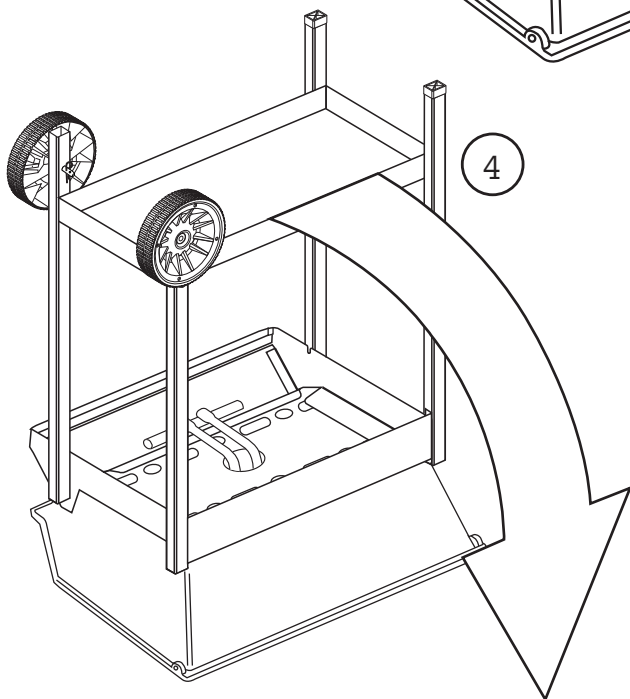
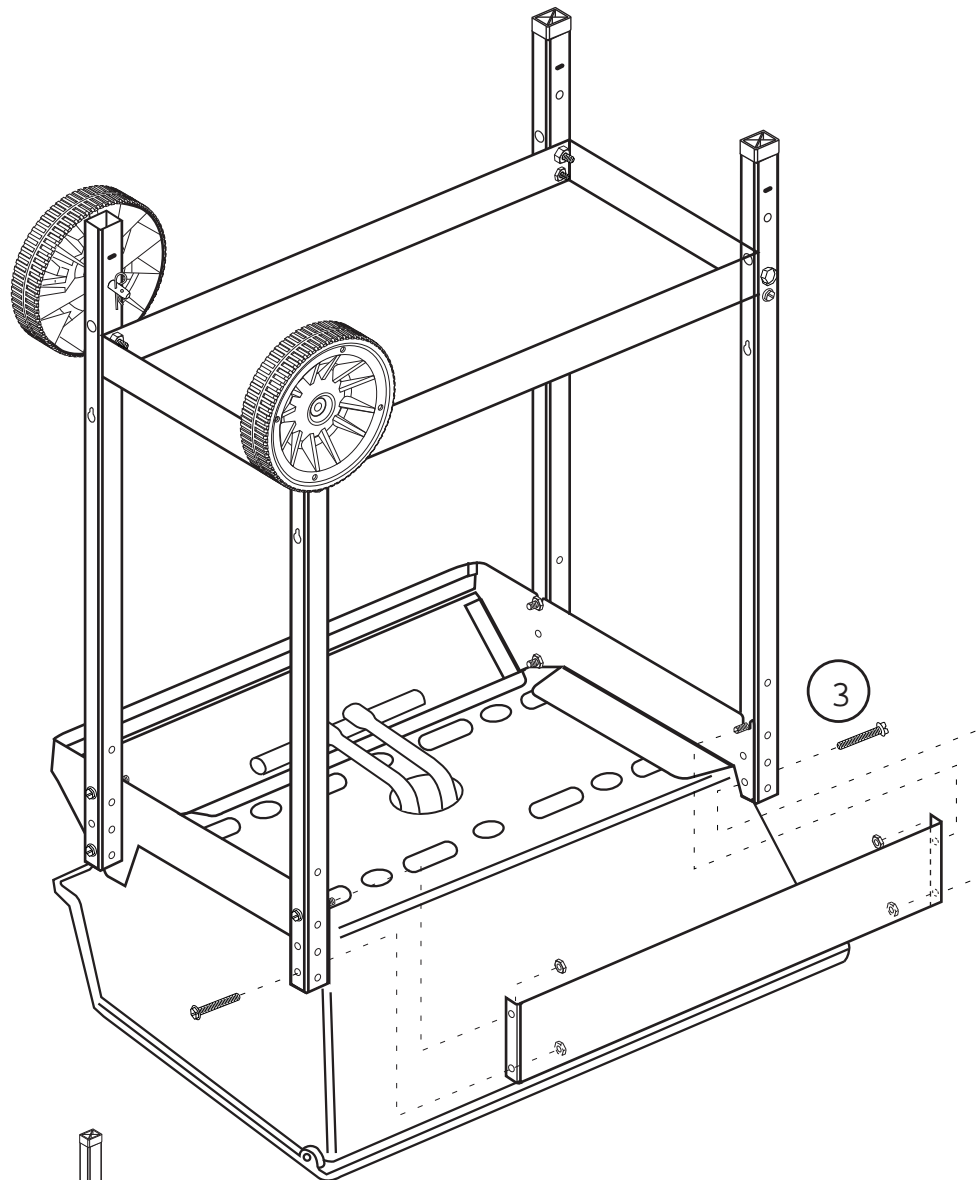
1





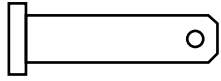
2



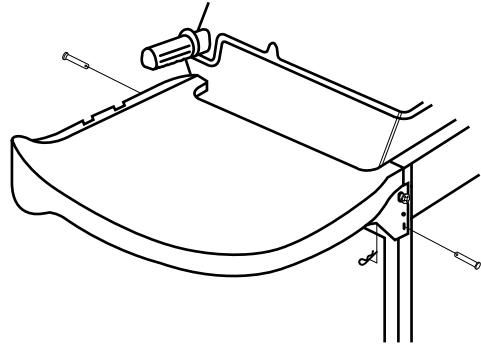
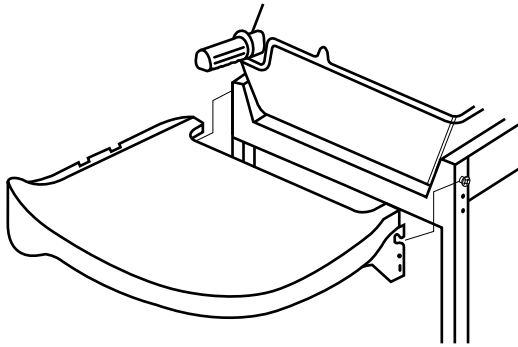
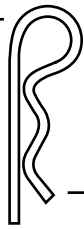


3

(2)



(2)

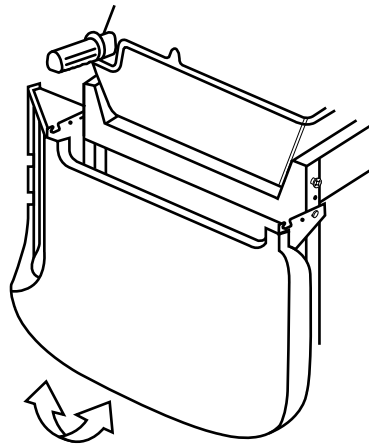
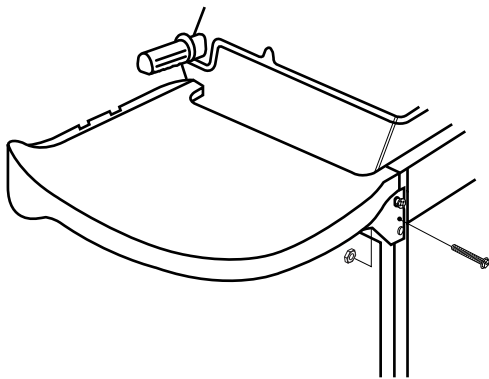
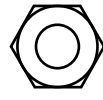


4

(1)

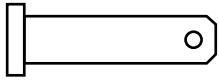


(1)



5

(2)



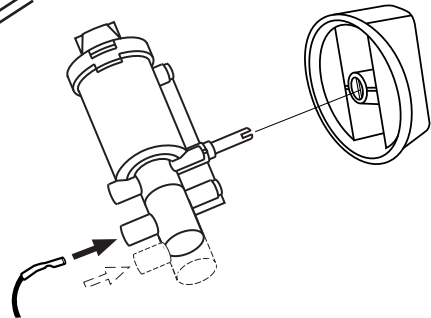
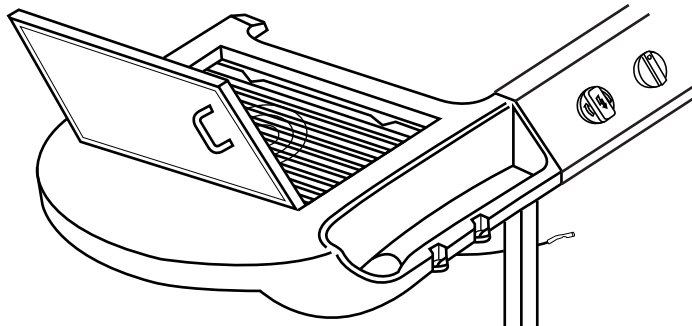
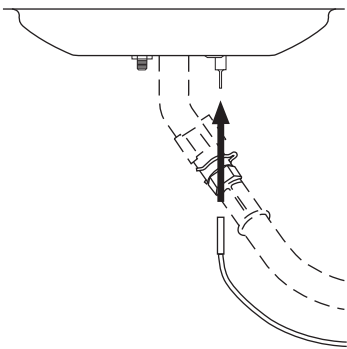
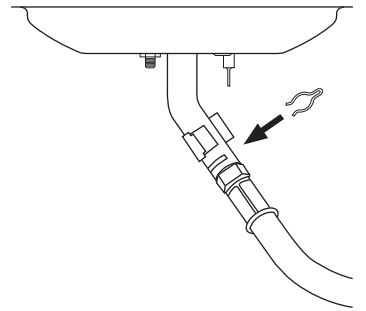
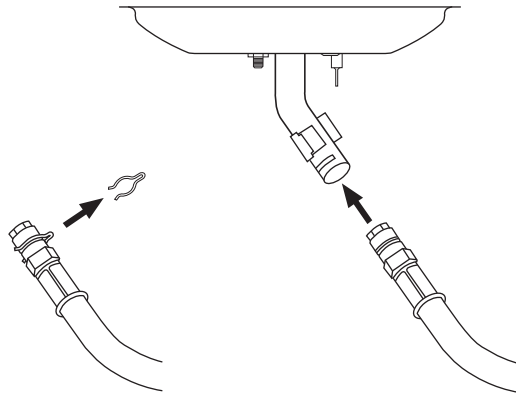
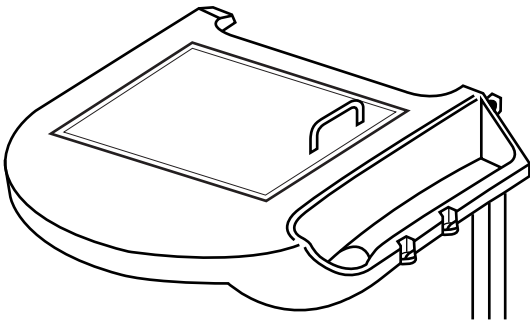
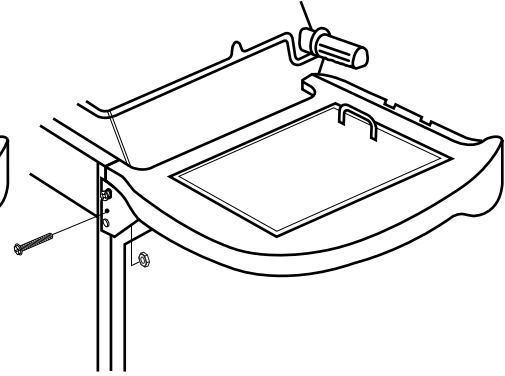
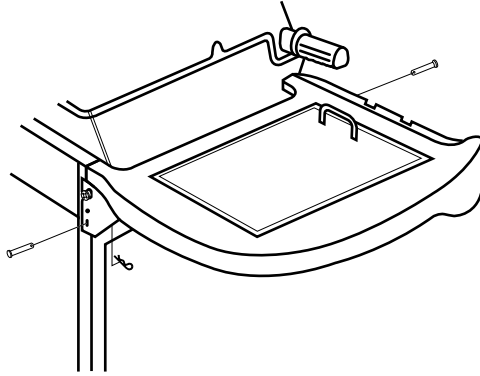
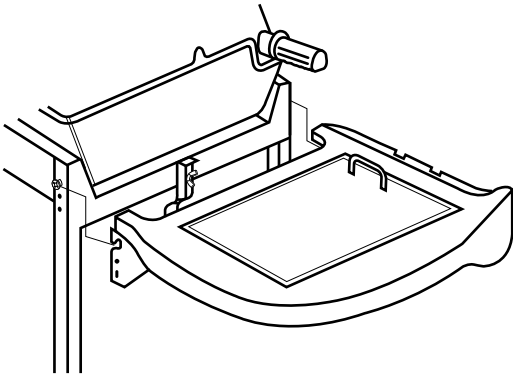
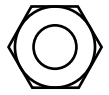
(2)



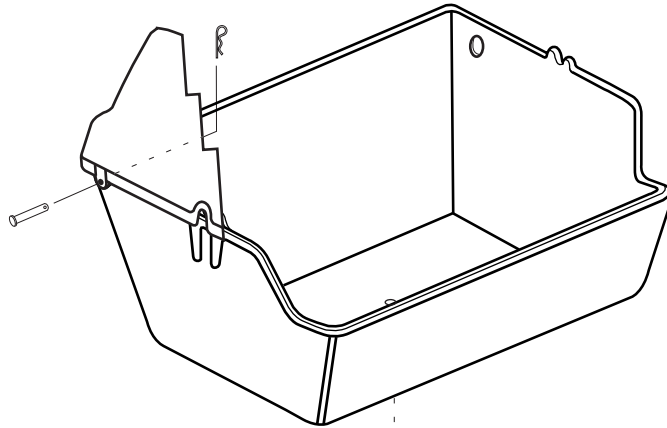
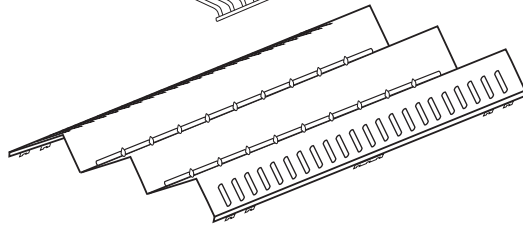
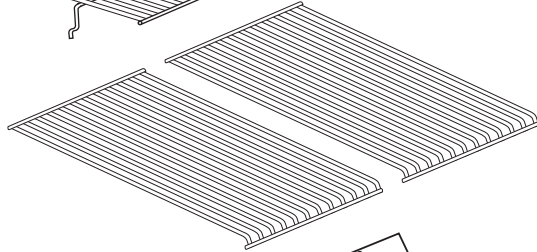
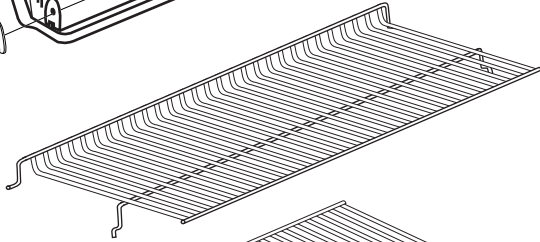
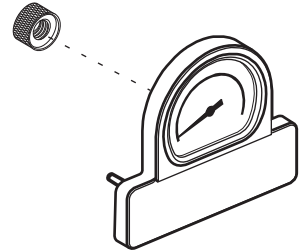
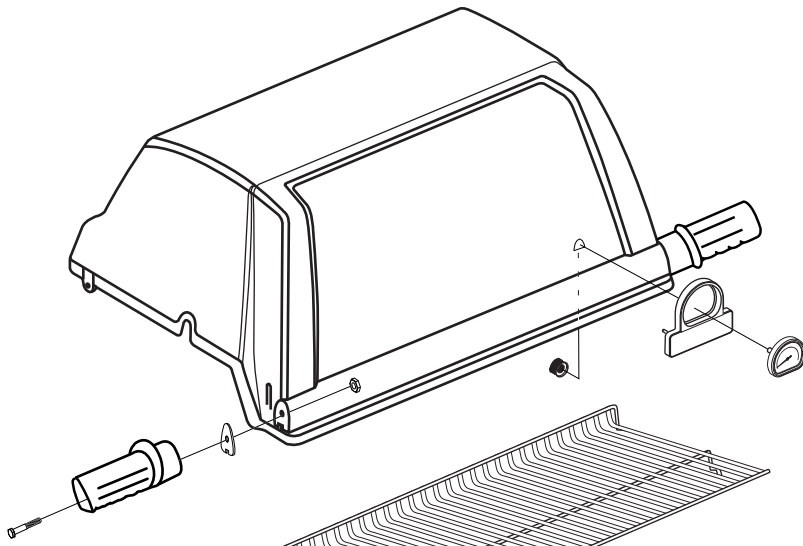
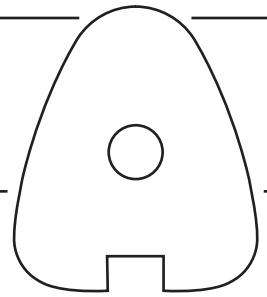
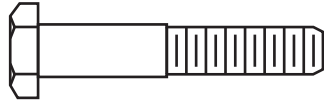
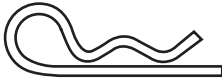
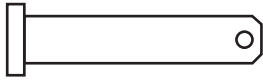
(1)



(1)

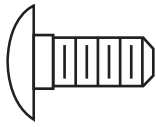


6

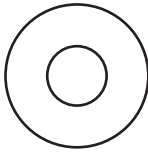


7

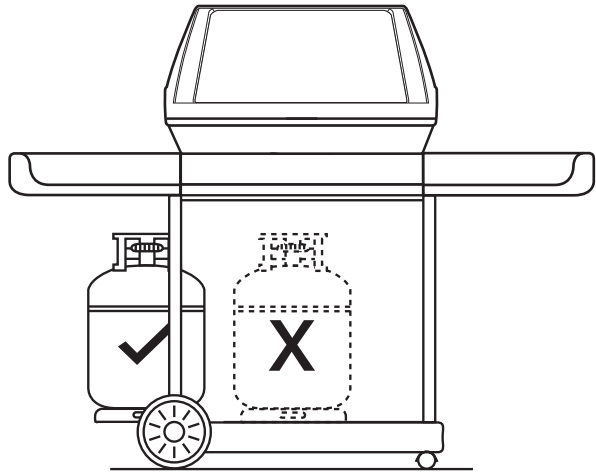
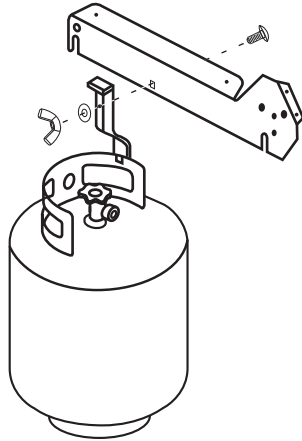
(1)



(1)



(1)

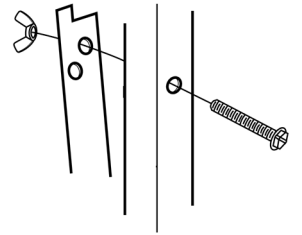
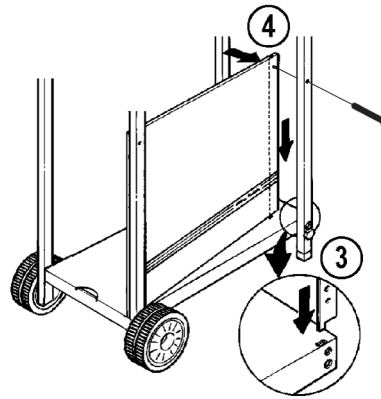
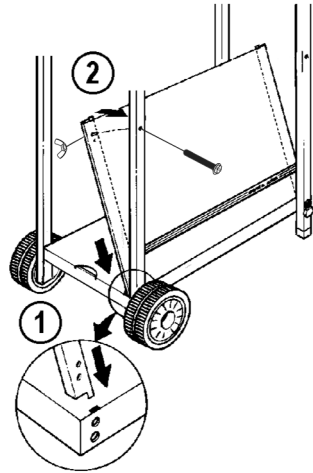
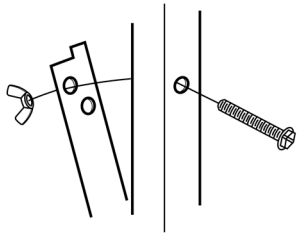
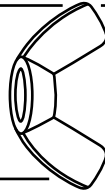


8

(2)



(2)



PARTS LIST/LISTE DES PIECES

#	#	DESCRIPTION	DESCRIPTION	2554-4	2554-7	2564-4	2564-7
1.	S11425	CASTING BOTTOM	FOND DU FOYER	1	1	1	1
2.	S11296	CASTING TOP	COUVERCLE DU GRIL	1	1	1	1
2A.	10958-K69	CASTING INSERT	PANNEAU DE COUVERCLE
3.	S14008	NAMEPLATE	PLAQUE D'IDENTIFICATION	1	1	1	1
5.	10571-6	HEAT INDICATOR	INDICATEUR DE CHALEUR	1	1	1	1
6.	S21235	HINGE PIN	ATTACHE DE CHEVILLE	2	2	2	2
7.	S21233	HINGE CLIP	ATTACHE DE CHEVILLE	8	8	8	8
8.	10222-T424	FLAV-R-WAVE	FLAV-R-WAVE	1	1	1	1
9.	S12029	GRID	GRILLE	2	2	2	2
10.	S12207	GRID - WARMING RACK	GRILLE	1	1	1	1
15.	S10017	BURNER ASSY	ENSEMBLE DE BRULEUR	1	1	1	1
17.	10472-K40	ROTARY IGNITOR KNOB	ALLUMEUR ROTATIF	1	1	1	1
17A.	10342-241	ROTARY	ROTATIF	1	1	.	.
	10342-242	ROTARY - SIDE BURNER	ROTATIF POUR BRULEUR LATERAL	.	.	1	1
18.	S15500	ELECTRODE	ELECTRODE	1	1	1	1
21.	10440-T50	CONTROL ASSY LP	SOUPAPE, (GAZ PROPANE)	1	.	.	.
	10440-T51	CONTROL ASSY NG	SOUPAPE, (GAZ NATUREL)	.	1	.	.
	10440-T52	CONTROL ASSY LP	SOUPAPE, (GAZ PROPANE)	.	.	1	.
	10440-T53	CONTROL ASSY NG	SOUPAPE, (GAZ NATUREL)	.	.	.	1
21A.	S13467-091	HOSE - SIDE BURNER LP	TUYAU DU BRULEUR LATERAL PL	.	.	1	.
	S13467-132	HOSE - SIDE BURNER NG	TUYAU DU BRULEUR LATERAL GN	.	.	.	1
	Y-11230	COTTER PIN	ATTACHE DE CHEVILLE	.	.	1	1
22.	10114-20	HOSE & REGULATOR LP - QCC1	TUYAU ET REGULATEUR PL - QCC1	1	.	1	.
	10111-K47	HOSE NATURAL GAS	TUYAU (GAZ NATUREL)	.	1	.	1
23.	10472-K37	CONTROL KNOB	BOUTON DE CONTROLE	2	2	3	3
30.	10086-E701	DECO PLATE	PLAQUE DECORATIVE	1	1	.	.
	10086-E711	DECO PLATE - 3V	PLAQUE DECORATIVE - 3V	.	.	1	1
31.	10194-E501	CONTROL COVER	PANNEAU DE CONTROLE	1	1	1	1
32.	10338-E601	POST LEG	PIEDS	4	4	4	4
35.	10184-E401	SUPPORT CASTING - LEFT	SUPPORT GAUCHE DU FOYER	2	2	2	2
36.	10184-E411	SUPPORT CASTING - RIGHT	SUPPORT DROIT DU FOYER	2	2	2	2
37.	10184-E471	SUPPORT SIDE SHELF - RIGHT	SUPPORT TABLETTE DE GAUCHE	2	2	2	2
38.	10184-E461	SUPPORT SIDE SHELF - LEFT	SUPPORT TABLETTE DE DROITE	2	2	2	2
39.	10956-E521	BRACE - UPPER REAR	SUPPORT ARRIERE	1	1	1	1
40.	S17347	SHELF - LOWER	TABLETTE INFERIEURE	1	1	1	1
46.	S17105	BRACKET - CYLINDER LP	SUPPORT DU RESERVOIR PL	1	.	1	.
50.	10711-E561	SHELF - SIDE - RIGHT	PLANCHETTE LATERALE DE GAUCHE	1	1	1	1
52.	10711-E563	SHELF - SIDEBURNER	PLANCHETTE LATERALE	.	.	1	1
51.	10711-E562	SHELF - SIDE - LEFT	PLANCHETTE LATERALE DE DROITE	1	1	.	.
54.	10088-35B	CANVAS FRONT PANEL	PANNEAU AVANT	1	1	1	1
55.	10184-K631	FRONT PANEL BRACKET	SUPPORT POUR PANNEAU AVANT	2	2	2	2
56.	10892-7	WHEEL	ROUE	2	2	2	2
74.	Y-6616	HEX HEAD BOLT 1/4 : 20 x 1 1/2	BOULON 1/4 : 20 x 1 1/2	2	2	2	2
75.	10338-145	LID HANDLE	POIGNEE	2	2	2	2
76.	10239-7	WASHER - HANDLE	RONDELLE DE LA POIGNEE	2	2	2	2
77.	S15111	GREASE CUP HOLDER	PORTE CONTENANT A GRAISSE	1	1	1	1
78.	Y-12665	LEG PLUG - EXTENSION	EMBOUT DE JAMBE	2	2	2	2
79.	Y-11546	BOLT - SHOULDER 1/4 : 20 x 5/8	BOULON 1/4 : 20 x 5/8	4	4	4	4
80.	Y-12666	TUBE CAP	BOUCHON FEMELLE DE TUYAU	4	4	4	4
81.	S21017	BOLT 1/4 : 20 x 1 3/4	BOULON 1/4 : 20 x 1 3/4	14	14	14	14
82.	S21015	BOLT 1/4 : 20 x 1	BOULON 1/4 : 20 x 1	4	4	4	4
83.	S21141	CARRIAGE BOLT - 1/4:20 X 5/8	BOULON - 1/4:20 X 5/8	1	.	1	.
84.	10240-15	HINGE PIN	ATTACHE DE CHEVILLE	4	4	4	4
85.	S21255	WASHER	RONDELLE	1	.	1	.
87.	Y-11793	NUT - 1/4	ECROU - 1/4	24	24	24	24

PARTS LIST/LISTE DES PIECES

#	#	DESCRIPTION	DESCRIPTION	2554-4	2554-7	2564-4	2564-7
88.	Y-11598	NUT WING - 1/4	ECROU PAPILLON - 1/4	3	2	3	2
89.	Y-11212	TINNERMAN NUT	ECROU TINNERMAN	4	4	4	4
90.	S21018	BOLT - 1/4:20 x 1-1/2	BOULON - 1/4:20 x 1-1/2	2	2	2	2
91.	Y-11967	HEX HEAD BOLT 3/8 : 16 x 1 3/4	BOULON	4	4	4	4
94.	Y-12285	NUT - 3/8	ECROU - 3/8	4	4	4	4
96.	Y-29305	BOLT - 10:24 X 3/8	BOULON - 10:24 X 3/8	2	2	8	8
97.	10240-13	WHEEL BOLT	ROUE BOULON	2	2	2	2
98.	S21124	SCREW - 8 X 1/2	VIS - 8 X 1/2	14	14	14	14
99.	Y12646	SCREW SHOULDER - 8 x 1/2	Vis - 8 x 1/2	.	.	2	2
105.	Y-29307	NUT - 10:24	ECROU - 10:24	.	.	4	4
107.	S21136	SCREW - 8-32 x 3/8	VIS - 8-32 x 3/8	.	.	4	4
108.	PB20-60	LID HANDLE	POIGNEE	.	.	1	1
109.	S21562	PUSHMOUNT CABLE	RUBAN D'ACIER	.	.	1	1
110.	10225-T09	GRID	GRILLE	.	.	1	1
111.	10390-E10	SIDE BURNER	BRULEUR DE COTE	.	.	1	1
113.	10342-T14	ELECTRODE - SIDE BURNER	ELECTRODE - BRULEUR DE COTE	.	.	1	1
114.	10393-E401	COVER - SIDE BURNER	COUVERCLE LATÉRAL	.	.	1	1
117.	10393-E60	SHELF-SIDE BURNER	SUPPORT DE BRULEUR DE COTE	.	.	1	1

