

STERLING

REDDI-BILT BARBECUES

ASSEMBLY MANUAL & PARTS LIST

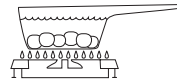
MANUEL DE MONTAGE & LISTE DE PIÈCES



STERLING 
2554-4
2554-7



STERLING 
2564-4
2564-7

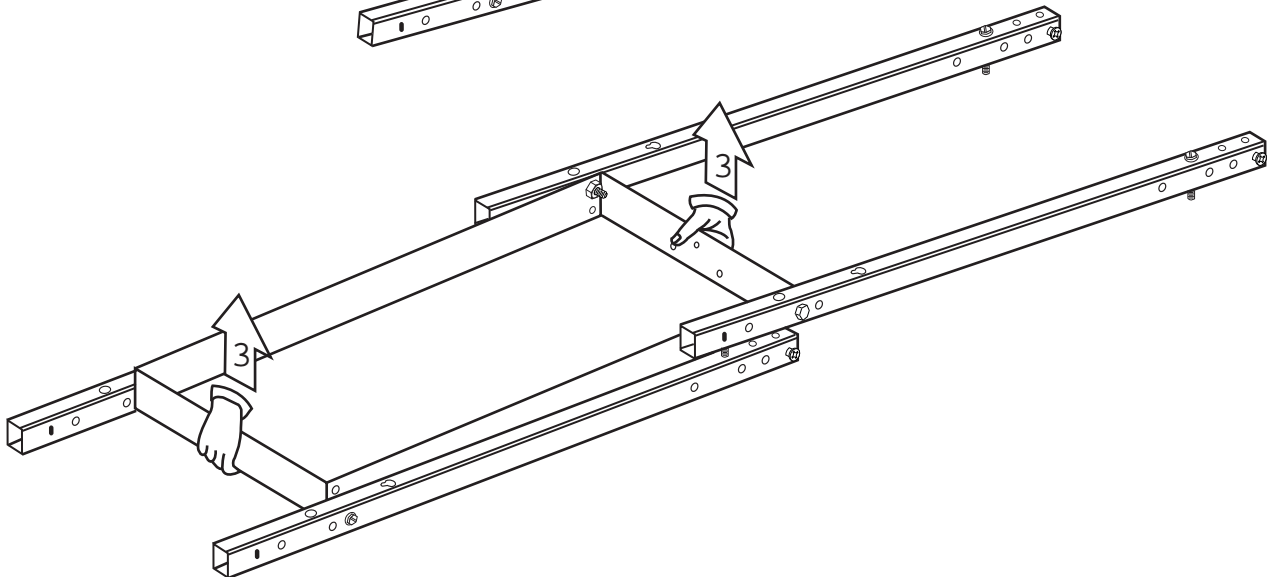
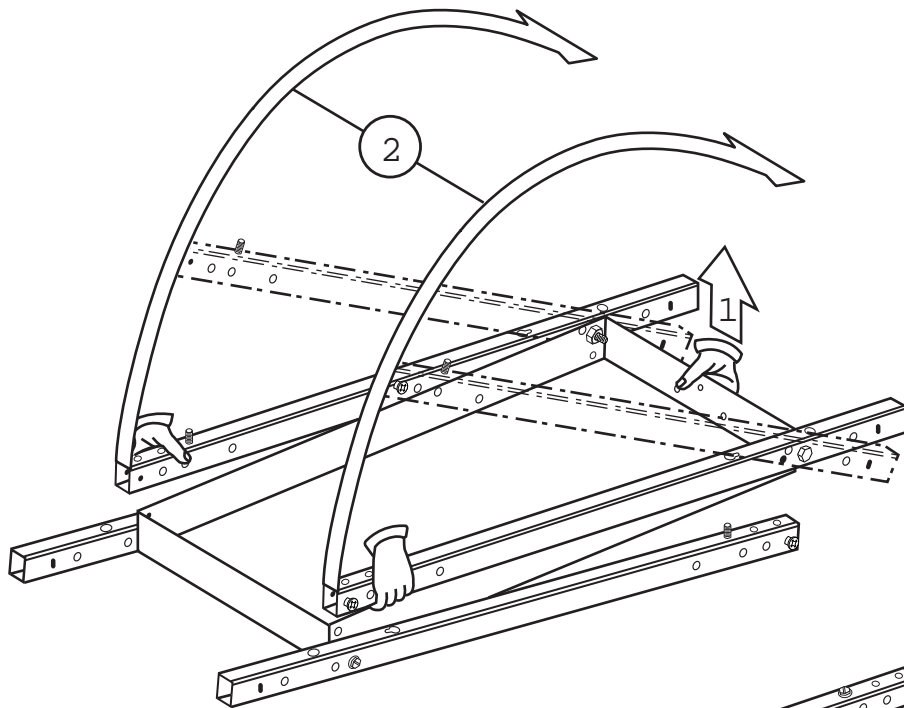
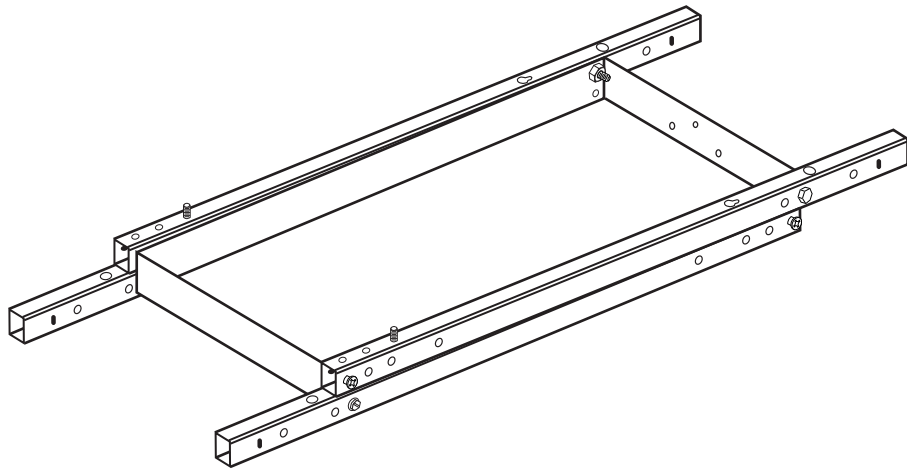


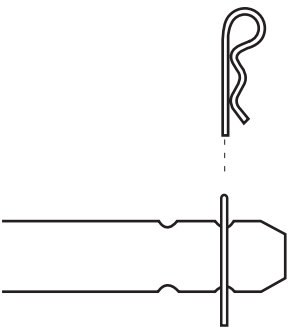
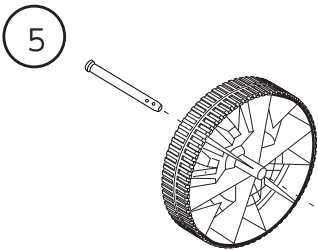
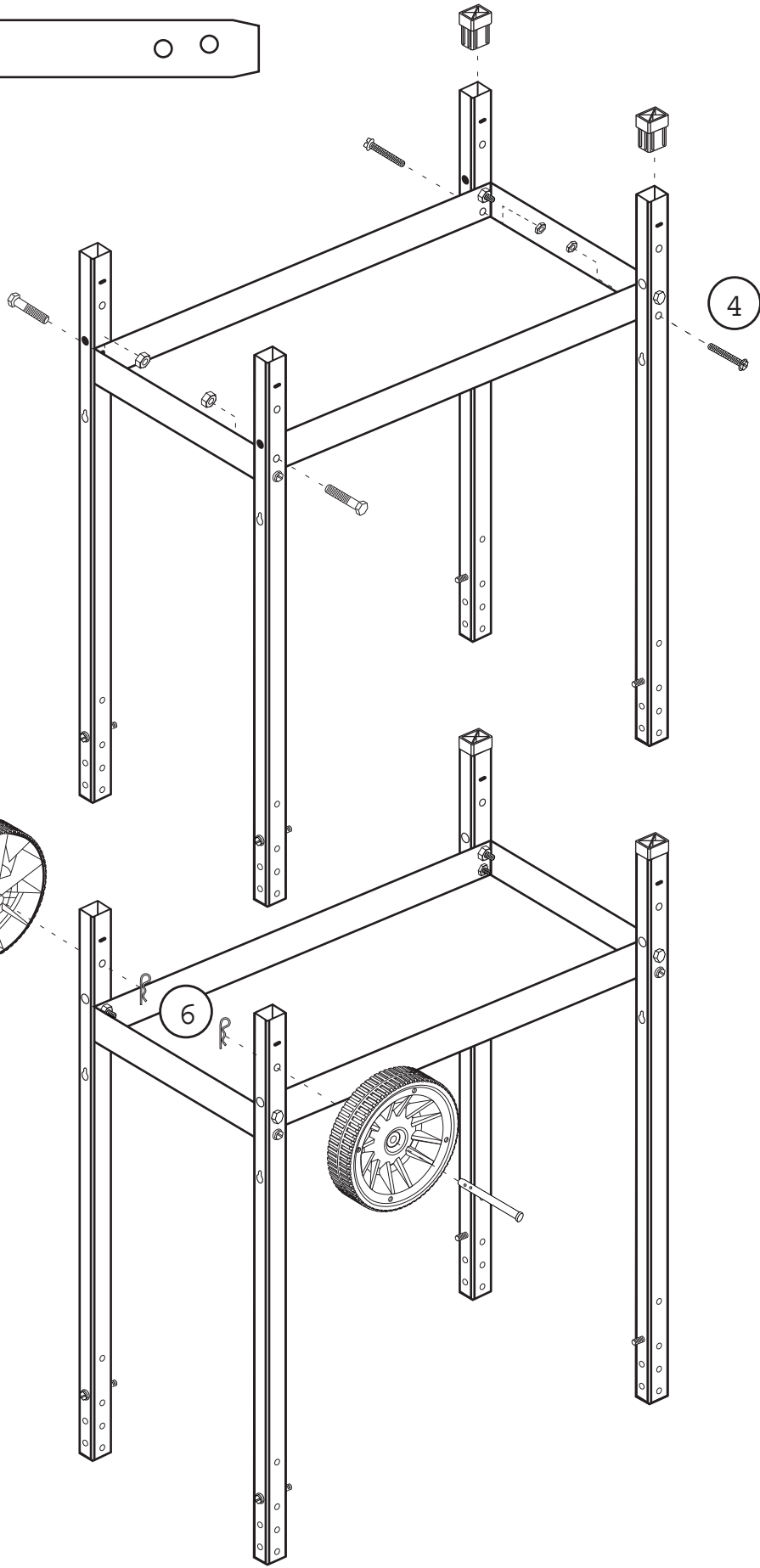
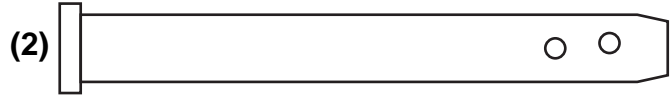
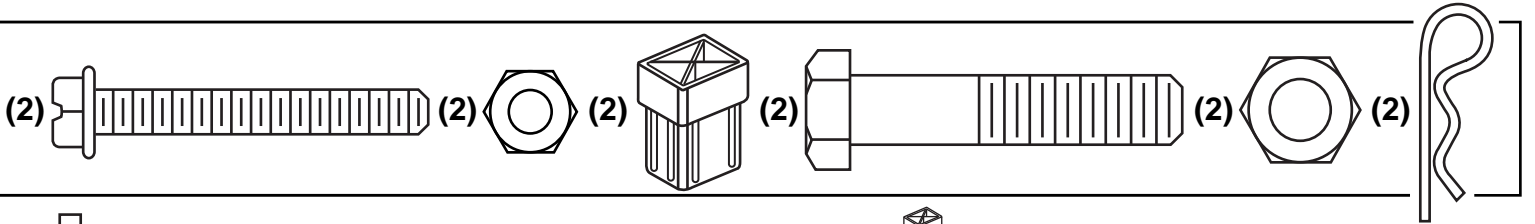
RETAIN FOR FUTURE REFERENCE

VEUILLEZ CONSERVER POUR REFERENCE ULTERIEURE

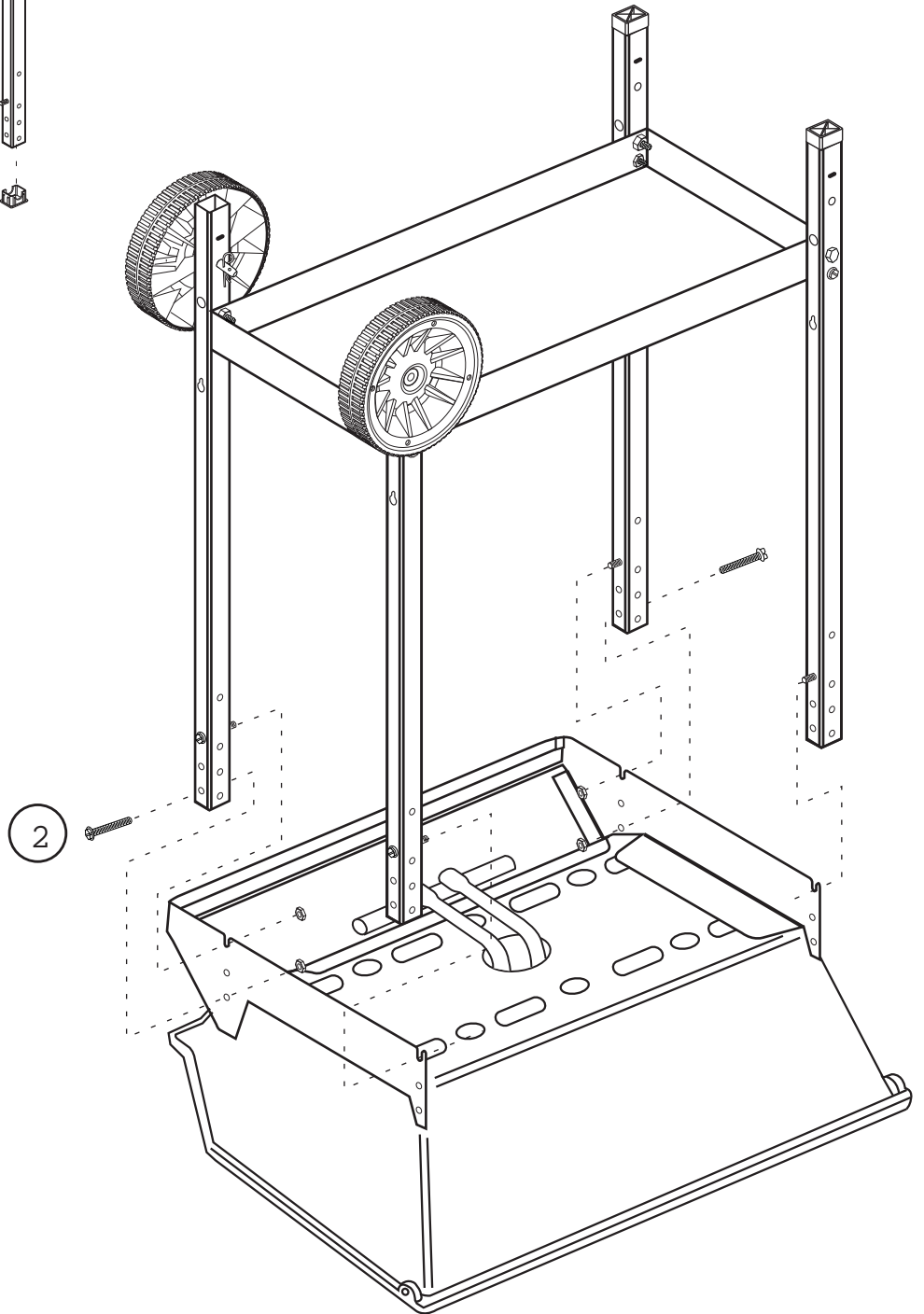
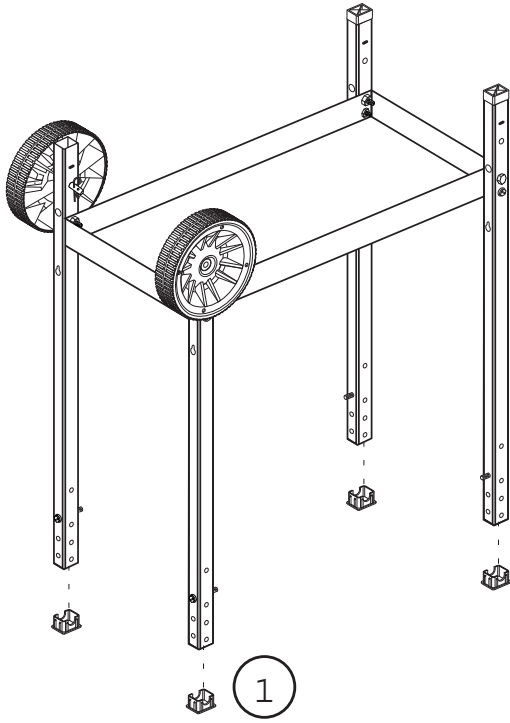
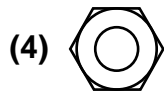
Onward
SINCE 1906
MANUFACTURING COMPANY
585 KUMPF DRIVE LIMITED
WATERLOO, ONTARIO, CANADA
N2V 1K3

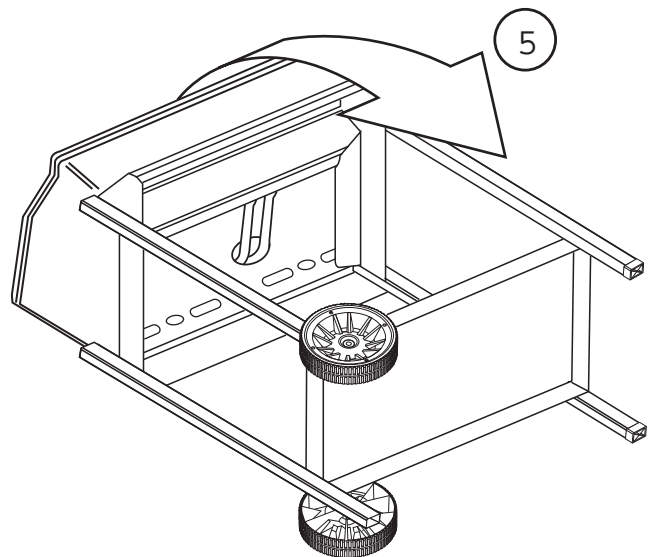
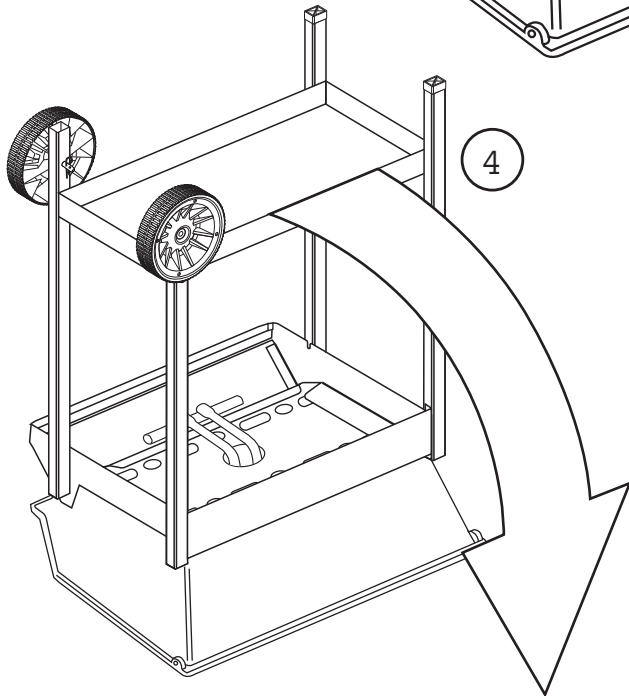
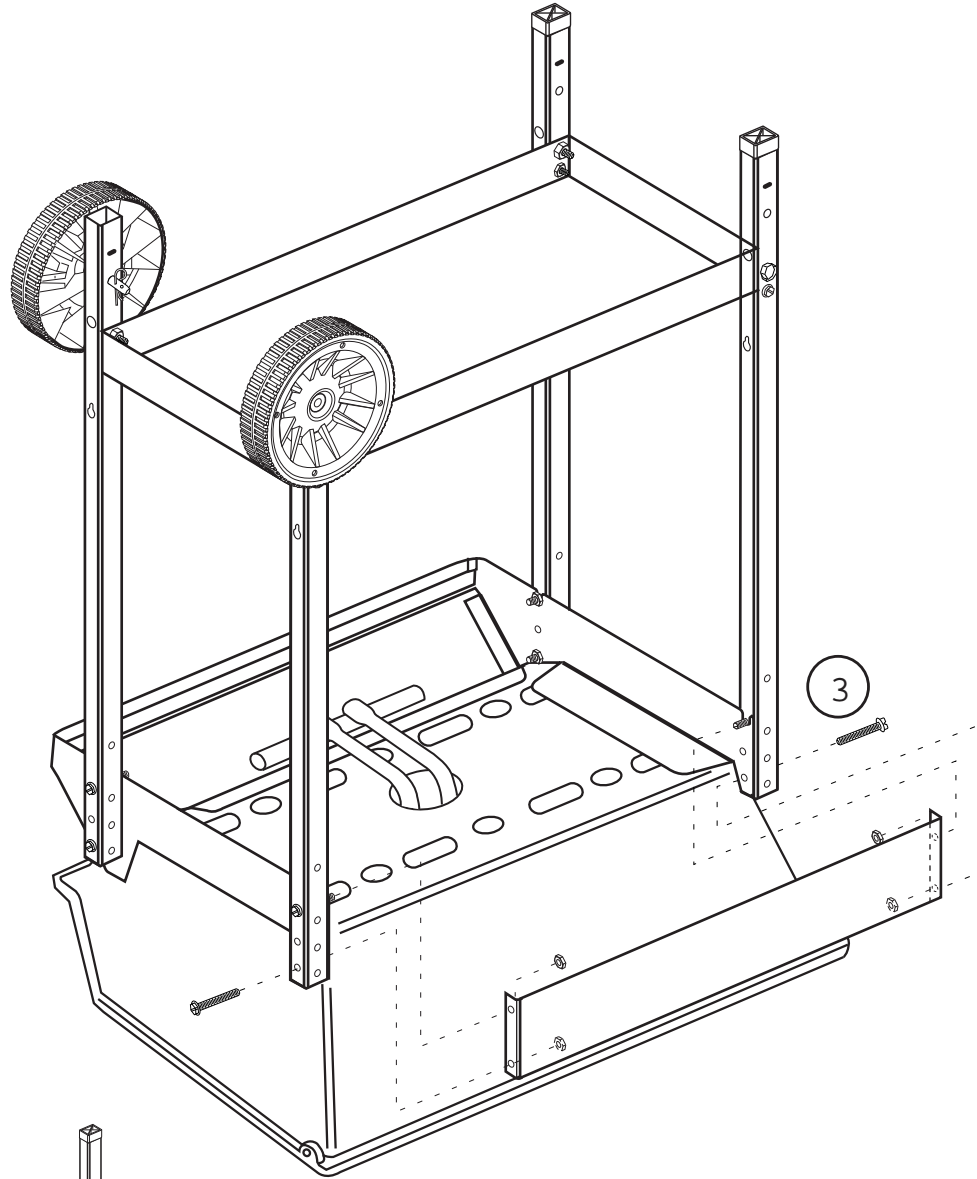
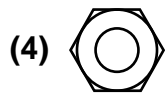
1





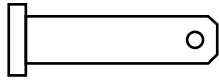
2



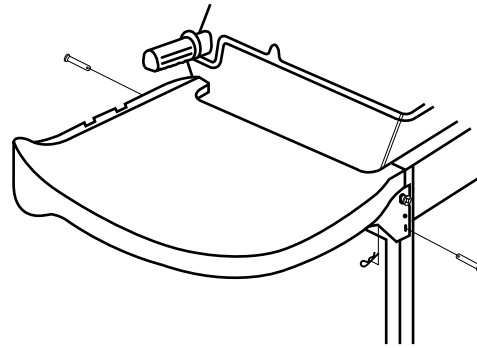
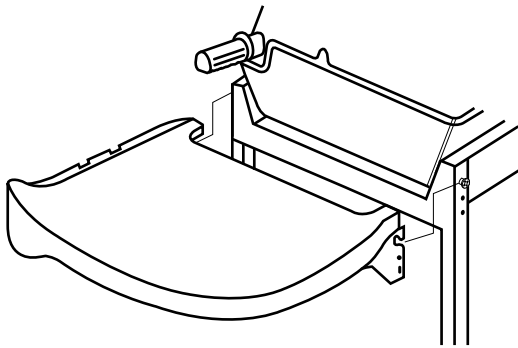


3

(2)



(2)

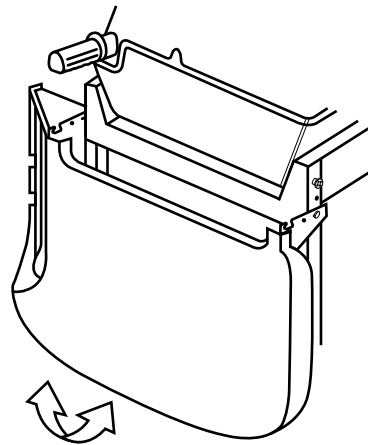
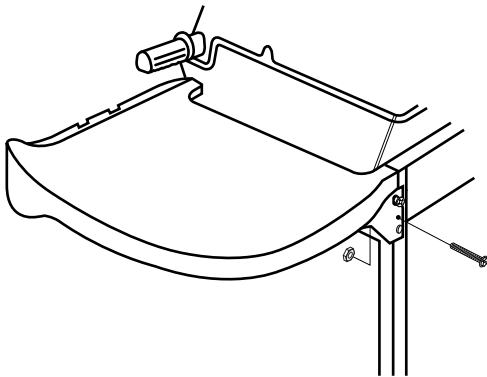
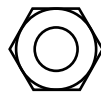


4

(1)

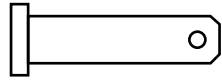


(1)



5

(2)



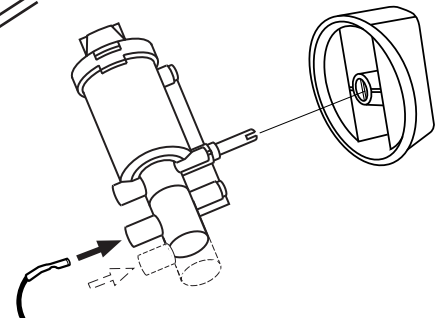
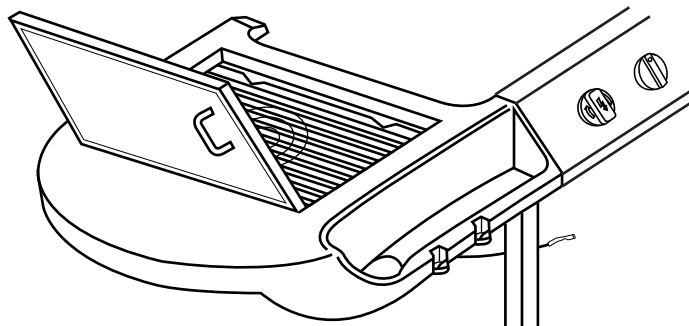
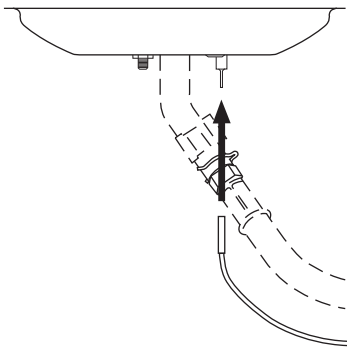
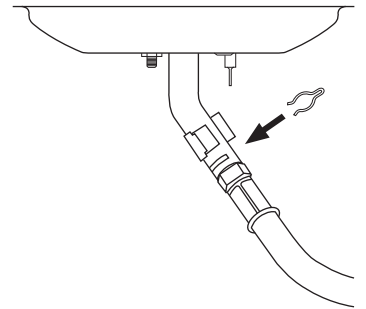
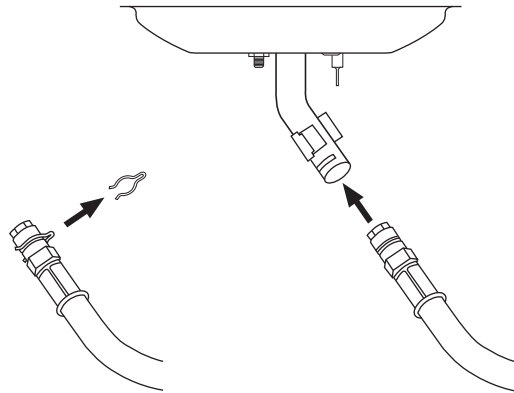
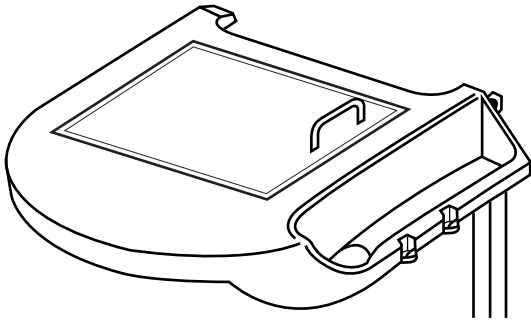
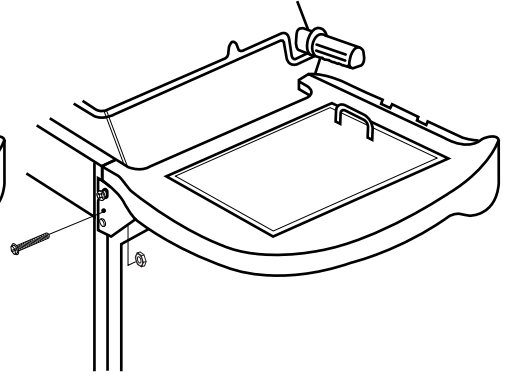
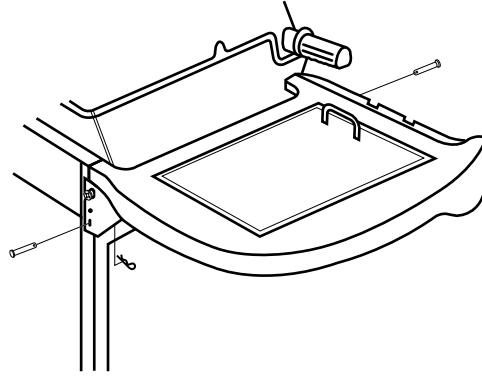
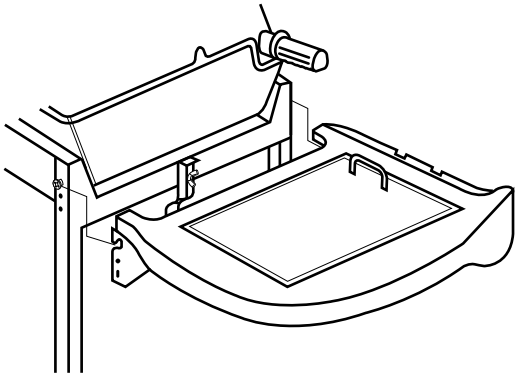
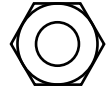
(2)



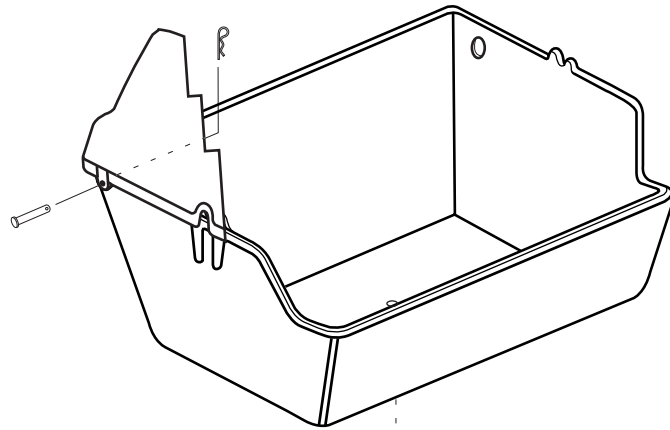
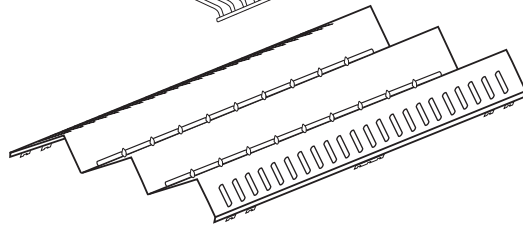
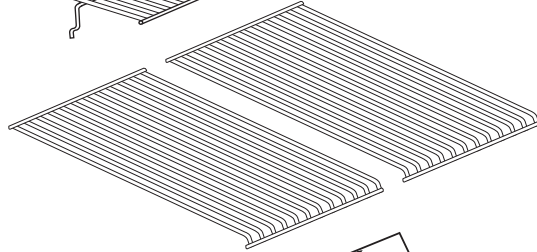
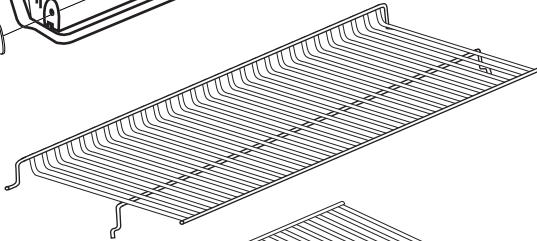
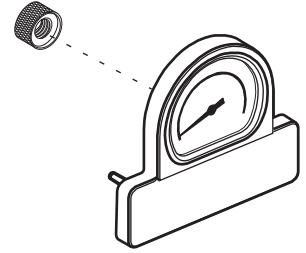
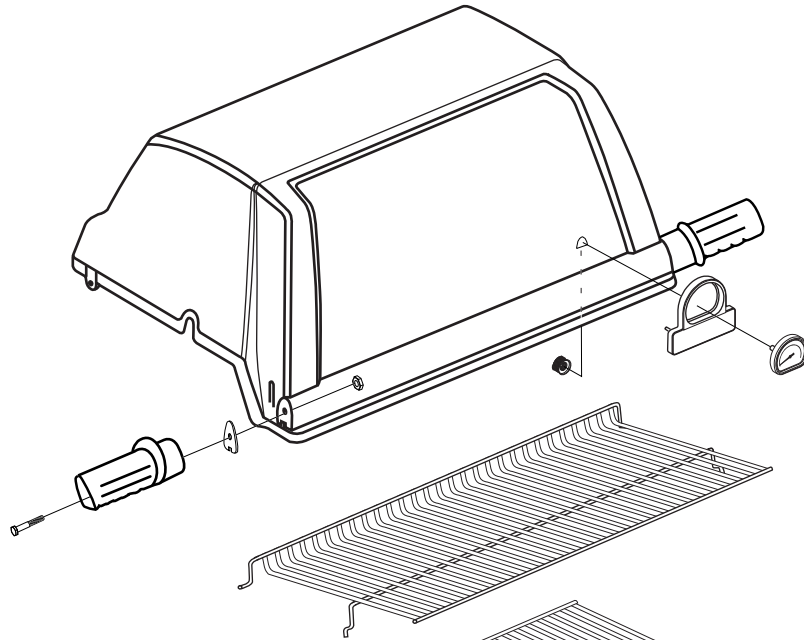
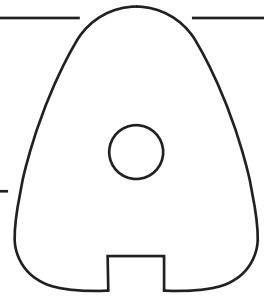
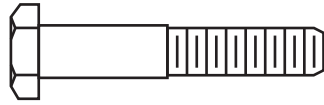
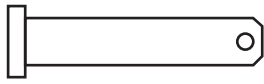
(1)



(1)

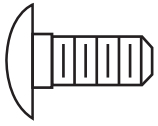


6

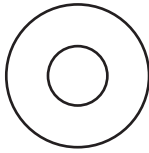


7

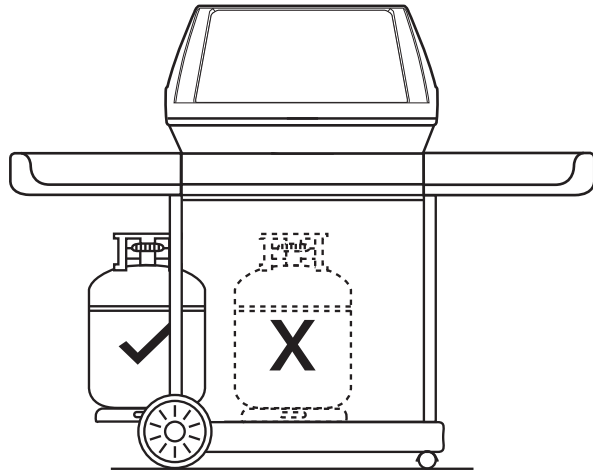
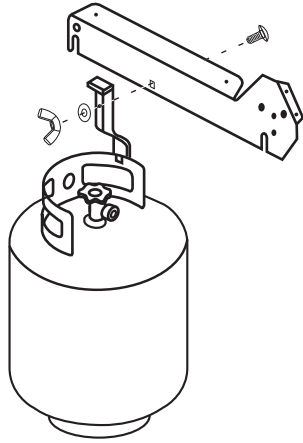
(1)



(1)



(1)

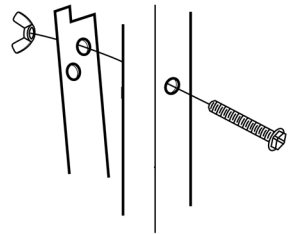
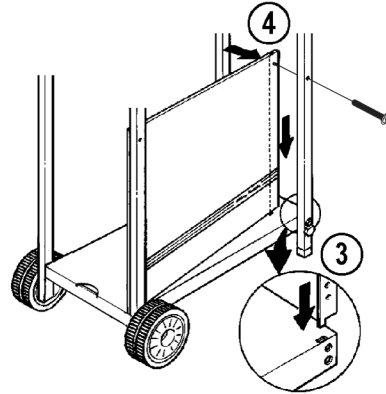
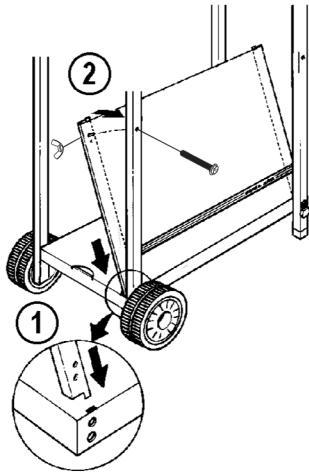
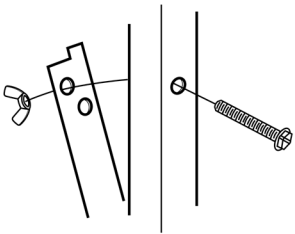
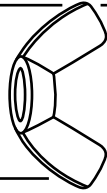


8

(2)



(2)



PARTS LIST/LISTE DES PIECES

| # | # | DESCRIPTION | DESCRIPTION | 2554-4 | 2554-7 | 2564-4 | 2564-7 |
|------|------------|--------------------------------|-------------------------------|--------|--------|--------|--------|
| 1. | S11425 | CASTING BOTTOM | FOND DU FOYER | 1 | 1 | 1 | 1 |
| 2. | S11296 | CASTING TOP | COUVERCLE DU GRIL | 1 | 1 | 1 | 1 |
| 2A. | 10958-K69 | CASTING INSERT | PANNEAU DE COUVERCLE | . | . | . | . |
| 3. | S14008 | NAMEPLATE | PLAQUE D'IDENTIFICATION | 1 | 1 | 1 | 1 |
| 5. | 10571-6 | HEAT INDICATOR | INDICATEUR DE CHALEUR | 1 | 1 | 1 | 1 |
| 6. | S21235 | HINGE PIN | ATTACHE DE CHEVILLE | 2 | 2 | 2 | 2 |
| 7. | S21233 | HINGE CLIP | ATTACHE DE CHEVILLE | 8 | 8 | 8 | 8 |
| 8. | 10222-T424 | FLAV-R-WAVE | FLAV-R-WAVE | 1 | 1 | 1 | 1 |
| 9. | S12029 | GRID | GRILLE | 2 | 2 | 2 | 2 |
| 10. | S12207 | GRID - WARMING RACK | GRILLE | 1 | 1 | 1 | 1 |
| 15. | S10017 | BURNER ASSY | ENSEMBLE DE BRULEUR | 1 | 1 | 1 | 1 |
| 17. | 10472-K40 | ROTARY IGNITOR KNOB | ALLUMEUR ROTATIF | 1 | 1 | 1 | 1 |
| 17A. | 10342-241 | ROTARY | ROTATIF | 1 | 1 | . | . |
| | 10342-242 | ROTARY - SIDE BURNER | ROTATIF POUR BRULEUR LATERAL | . | . | 1 | 1 |
| 18. | S15500 | ELECTRODE | ELECTRODE | 1 | 1 | 1 | 1 |
| 21. | 10440-T50 | CONTROL ASSY LP | SOUPAPE, (GAZ PROPANE) | 1 | . | . | . |
| | 10440-T51 | CONTROL ASSY NG | SOUPAPE, (GAZ NATUREL) | . | 1 | . | . |
| | 10440-T52 | CONTROL ASSY LP | SOUPAPE, (GAZ PROPANE) | . | . | 1 | . |
| | 10440-T53 | CONTROL ASSY NG | SOUPAPE, (GAZ NATUREL) | . | . | . | 1 |
| 21A. | S13467-091 | HOSE - SIDE BURNER LP | TUYAU DU BRULEUR LATERAL PL | . | . | 1 | . |
| | S13467-132 | HOSE - SIDE BURNER NG | TUYAU DU BRULEUR LATERAL GN | . | . | . | 1 |
| | Y-11230 | COTTER PIN | ATTACHE DE CHEVILLE | . | . | 1 | 1 |
| 22. | 10114-20 | HOSE & REGULATOR LP - QCC1 | TUYAU ET REGULATEUR PL - QCC1 | 1 | . | 1 | . |
| | 10111-K47 | HOSE NATURAL GAS | TUYAU (GAZ NATUREL) | . | 1 | . | 1 |
| 23. | 10472-K37 | CONTROL KNOB | BOUTON DE CONTROLE | 2 | 2 | 3 | 3 |
| 30. | 10086-E701 | DECO PLATE | PLAQUE DECORATIVE | 1 | 1 | . | . |
| | 10086-E711 | DECO PLATE - 3V | PLAQUE DECORATIVE - 3V | . | . | 1 | 1 |
| 31. | 10194-E501 | CONTROL COVER | PANNEAU DE CONTROLE | 1 | 1 | 1 | 1 |
| 32. | 10338-E601 | POST LEG | PIEDS | 4 | 4 | 4 | 4 |
| 35. | 10184-E401 | SUPPORT CASTING - LEFT | SUPPORT GAUCHE DU FOYER | 2 | 2 | 2 | 2 |
| 36. | 10184-E411 | SUPPORT CASTING - RIGHT | SUPPORT DROIT DU FOYER | 2 | 2 | 2 | 2 |
| 37. | 10184-E471 | SUPPORT SIDE SHELF - RIGHT | SUPPORT TABLETTE DE GAUCHE | 2 | 2 | 2 | 2 |
| 38. | 10184-E461 | SUPPORT SIDE SHELF - LEFT | SUPPORT TABLETTE DE DROITE | 2 | 2 | 2 | 2 |
| 39. | 10956-E521 | BRACE - UPPER REAR | SUPPORT ARRIERE | 1 | 1 | 1 | 1 |
| 40. | S17347 | SHELF - LOWER | TABLETTE INFERIEURE | 1 | 1 | 1 | 1 |
| 46. | S17105 | BRACKET - CYLINDER LP | SUPPORT DU RESERVOIR PL | 1 | . | 1 | . |
| 50. | 10711-E561 | SHELF - SIDE - RIGHT | PLANCHETTE LATERALE DE GAUCHE | 1 | 1 | 1 | 1 |
| 52. | 10711-E563 | SHELF - SIDEBURNER | PLANCHETTE LATERALE | . | . | 1 | 1 |
| 51. | 10711-E562 | SHELF - SIDE - LEFT | PLANCHETTE LATERALE DE DROITE | 1 | 1 | . | . |
| 54. | 10088-35B | CANVAS FRONT PANEL | PANNEAU AVANT | 1 | 1 | 1 | 1 |
| 55. | 10184-K631 | FRONT PANEL BRACKET | SUPPORT POUR PANNEAU AVANT | 2 | 2 | 2 | 2 |
| 56. | 10892-7 | WHEEL | ROUE | 2 | 2 | 2 | 2 |
| 74. | Y-6616 | HEX HEAD BOLT 1/4 : 20 x 1 1/2 | BOULON 1/4 : 20 x 1 1/2 | 2 | 2 | 2 | 2 |
| 75. | 10338-145 | LID HANDLE | POIGNEE | 2 | 2 | 2 | 2 |
| 76. | 10239-7 | WASHER - HANDLE | RONDELLE DE LA POIGNEE | 2 | 2 | 2 | 2 |
| 77. | S15111 | GREASE CUP HOLDER | PORTE CONTENANT A GRAISSE | 1 | 1 | 1 | 1 |
| 78. | Y-12665 | LEG PLUG - EXTENSION | EMBOUT DE JAMBE | 2 | 2 | 2 | 2 |
| 79. | Y-11546 | BOLT - SHOULDER 1/4 : 20 x 5/8 | BOULON 1/4 : 20 x 5/8 | 4 | 4 | 4 | 4 |
| 80. | Y-12666 | TUBE CAP | BOUCHON FEMELLE DE TUYAU | 4 | 4 | 4 | 4 |
| 81. | S21017 | BOLT 1/4 : 20 x 1 3/4 | BOULON 1/4 : 20 x 1 3/4 | 14 | 14 | 14 | 14 |
| 82. | S21015 | BOLT 1/4 : 20 x 1 | BOULON 1/4 : 20 x 1 | 4 | 4 | 4 | 4 |
| 83. | S21141 | CARRIAGE BOLT - 1/4:20 X 5/8 | BOULON - 1/4:20 X 5/8 | 1 | . | 1 | . |
| 84. | 10240-15 | HINGE PIN | ATTACHE DE CHEVILLE | 4 | 4 | 4 | 4 |
| 85. | S21255 | WASHER | RONDELLE | 1 | . | 1 | . |
| 87. | Y-11793 | NUT - 1/4 | ECROU - 1/4 | 24 | 24 | 24 | 24 |

PARTS LIST/LISTE DES PIECES

| # | # | <u>DESCRIPTION</u> | <u>DESCRIPTION</u> | <u>2554-4</u> | <u>2554-7</u> | <u>2564-4</u> | <u>2564-7</u> |
|------|------------|--------------------------------|-----------------------------|---------------|---------------|---------------|---------------|
| 88. | Y-11598 | NUT WING - 1/4 | ECROU PAPILLON - 1/4 | 3 | 2 | 3 | 2 |
| 89. | Y-11212 | TINNERMAN NUT | ECROU TINNERMAN | 4 | 4 | 4 | 4 |
| 90. | S21018 | BOLT - 1/4:20 x 1-1/2 | BOULON - 1/4:20 x 1-1/2 | 2 | 2 | 2 | 2 |
| 91. | Y-11967 | HEX HEAD BOLT 3/8 : 16 x 1 3/4 | BOULON | 4 | 4 | 4 | 4 |
| 94. | Y-12285 | NUT - 3/8 | ECROU - 3/8 | 4 | 4 | 4 | 4 |
| 96. | Y-29305 | BOLT - 10:24 X 3/8 | BOULON - 10:24 X 3/8 | 2 | 2 | 8 | 8 |
| 97. | 10240-13 | WHEEL BOLT | ROUE BOULON | 2 | 2 | 2 | 2 |
| 98. | S21124 | SCREW - 8 X 1/2 | VIS - 8 X 1/2 | 14 | 14 | 14 | 14 |
| 99. | Y12646 | SCREW SHOULDER - 8 x 1/2 | Vis - 8 x 1/2 | . | . | 2 | 2 |
| 105. | Y-29307 | NUT - 10:24 | ECROU - 10:24 | . | . | 4 | 4 |
| 107. | S21136 | SCREW - 8-32 x 3/8 | VIS - 8-32 x 3/8 | . | . | 4 | 4 |
| 108. | PB20-60 | LID HANDLE | POIGNEE | : | . | 1 | 1 |
| 109. | S21562 | PUSHMOUNT CABLE | RUBAN D'ACIER | . | . | 1 | 1 |
| 110. | 10225-T09 | GRID | GRILLE | . | . | 1 | 1 |
| 111. | 10390-E10 | SIDE BURNER | BRULEUR DE COTE | . | . | 1 | 1 |
| 113. | 10342-T14 | ELECTRODE - SIDE BURNER | ELECTRODE - BRULEUR DE COTE | . | . | 1 | 1 |
| 114. | 10393-E401 | COVER - SIDE BURNER | COUVERCLE LATÉRAL | . | . | 1 | 1 |
| 117. | 10393-E60 | SHELF-SIDE BURNER | SUPPORT DE BRULEUR DE COTE | . | . | 1 | 1 |

