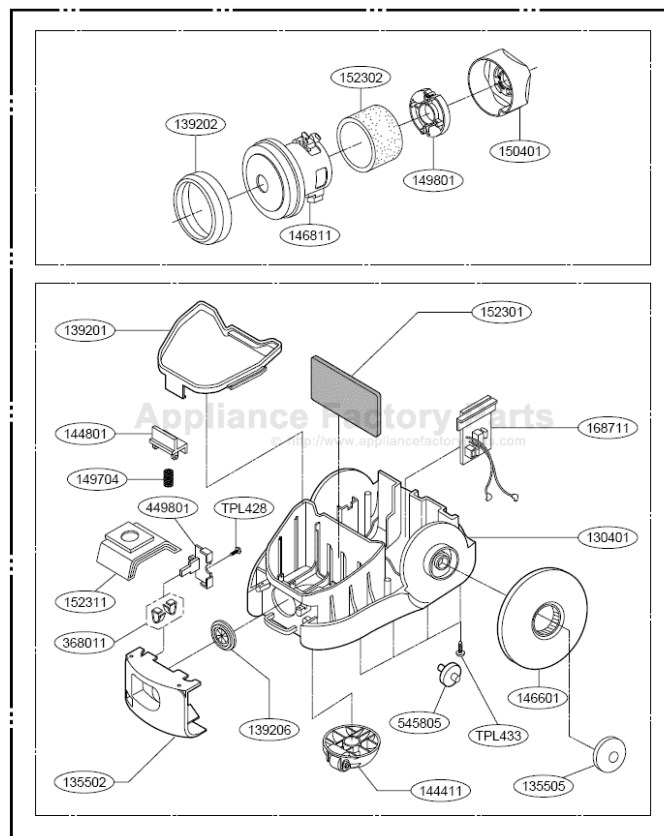


This Owner's Manual is provided and hosted by [Appliance Factory Parts](http://www.appliancefactoryparts.com).



Kenmore 721.21195000 Owner's Manual

[Shop genuine replacement parts for Kenmore
721.21195000](#)



[Find Your Kenmore Vacuum Cleaner Parts - Select From 745 Models](#)

----- Manual continues below -----

SEARS

MODEL 721.21195000
721.21295000
20.21125
20.21325

DIVISION 20

BASIC FIELD MANUAL
FOR
CANISTER VACUUM CLEANER

MODEL 721.21195000
721.21295000
20.21125
20.21325

September, 2001

FOREWORD

BEFORE SERVICING THE UNIT, READ THE “SAFETY PRECAUTIONS” IN THIS MANUAL.

MODEL 721.21195000
721.21295000
20.21125
20.21325

MECHANICAL SERVICE INFORMATION

TABLE OF CONTENTS

- 1. SAFETY PRECAUTIONS 3**
- 2. CAUTIONS 3**
- 3. DESCRIPTION / SPECIFICATIONS**
 - 3.1 MODEL 721.21195000, 20.211254**
 - 3.2 MODEL 721.21295000, 20.213255**
- 4. DISASSEMBLY 6-9**
- 5. TROUBLE SHOOTING 10-12**
- 6. WIRING DIAGRAM / SCHEMATIC DIAGRAM**
 - 6.1 MODEL 721.21195000, 20.2112513**
 - 6.2 MODEL 721.21295000, 20.2132514**
- 7. POWER AND CONTROL CIRCUIT BOARD**
 - 7.1 MODEL 721.21195000, 20.2112515**
 - 7.2 MODEL 721.21295000, 20.2132516**
- 8. EXPLODED VIEW / REPLACEMENT PARTS LIST**
 - 8.1 MODEL 721.21195000, 20.2112517-22**
 - 8.2 MODEL 721.21295000, 20.2132523-30**

1.SAFETY PRECAUTIONS

BEFORE OPERATING THIS VACUUM CLEANER, READ THIS SERVICE MANUAL THOROUGHLY, AND OBSERVE EACH POINT CAREFULLY.

1. Change the paper bag in case the indicator moves toward red.

- 1) If the dust bag is full, intake power will be reduced.
- 2) When the dust bag is full of dust, pull out the dust bag from the bag mount.

2. Filter

- 1) The filter is composed of a clean filter, a exhaust filter and filter bag.
- 2) Never use the vacuum cleaner without filters.
It may harm to the motor.

NOTE : Re-use of the clean filter.

- Never wash the filter in a washing machine or in a dishwasher.
- Never use hot water for washing the filter.
- Re-use the filter after drying it completely in the shade.
- Do not dry near fire or direct sun ray.

3. Dust indicator

Dust indicator shows you red color when the filter is full of dust.

Then, change the bag with new one.

4. Avoid suction such materials as :

- 1) Liquid or wet dust :
Clog the ventilation holes and reduces the intake power significantly and harms the motor.
- 2) Inflammable liquids such as benzene, alcohol or solvents.
- 3) Burning objects such as cigarette butts.
- 4) Bulky objects such as vinyl, paper etc.
- 5) Sharp objects such as needles, pins, metal or glass particles etc.

5. Attachments

- Nozzle : for cleaning wooden floor, the room floor and carpet.
- Brush/Crevice Tool(without brush): for cleaning any crevice, inside corners of window frames.(However, do not use the crevice tool more than 20 minutes.)
Brush/Crevice Tool (with brush): for delicate vacuuming of fabrics on the furniture, curtains, etc.
- Upholstery Nozzle : for vacuuming the dust on the upholstery.

6. Close supervision is necessary when this vacuum cleaner is used by or near children. Children's carelessness may cause damage to the cleaner or injure persons.

7. Air exhausted from the vacuum cleaner is normally warm. But if extraordinarily hot air is exhausted, check if the extension pipe, hose or dust bag is clogged or not.

8. Electric shock could occur if used outdoors or on wet surfaces.

2.CAUTIONS

BEFORE ATTEMPTING TO SERVICE OR ADJUST ANY PART OF THE VACUUM CLEANER, DISCONNECT THE ELECTRICAL POWER SUPPLY CORD FROM THE WALL OUTLET.

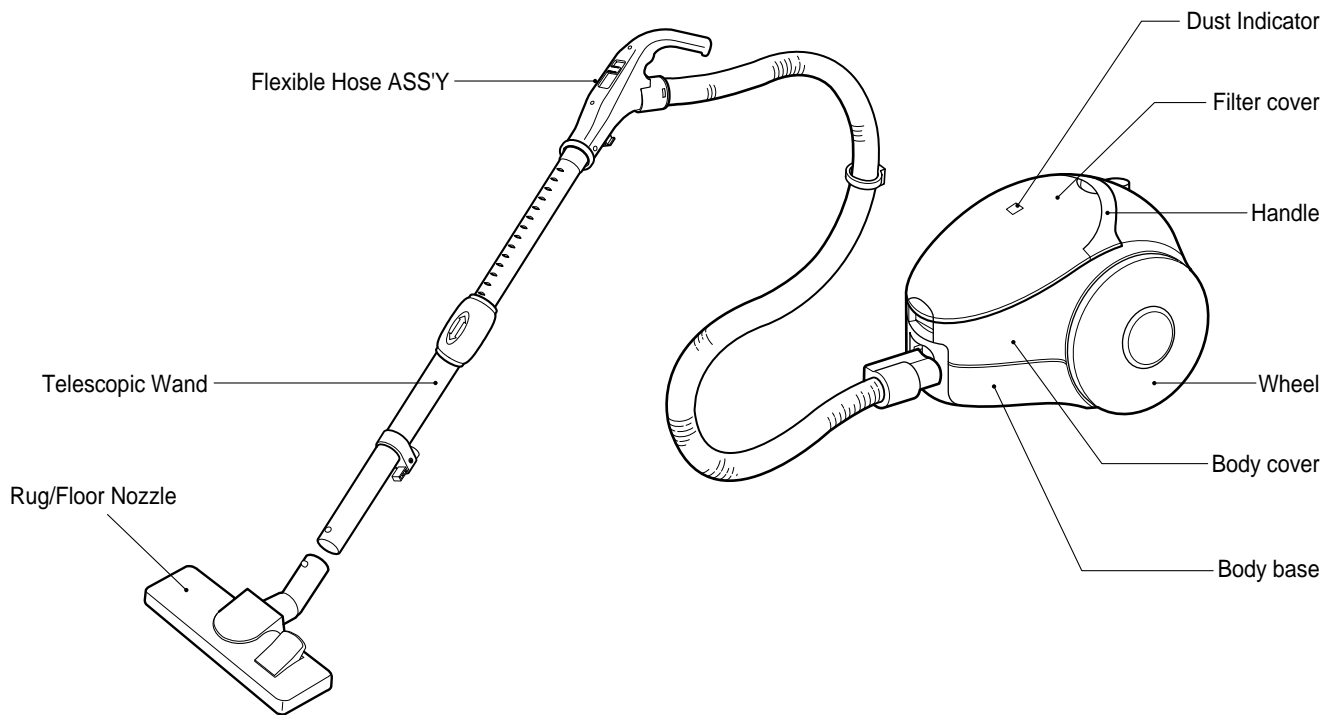
1. Motor exchange

- 1) Separate the Body Cover and Body Base by unfastening the screws.
- 2) Disconnect the lead wires.
- 3) Lift the old motor and replace it with a new one.

2. In case of exchanging other parts, refer to the exploded view.

3. DESCRIPTION/SPECIFICATIONS

3.1 MODEL 721.21195000, 20.21125 DESCRIPTION



ATTACHMENTS



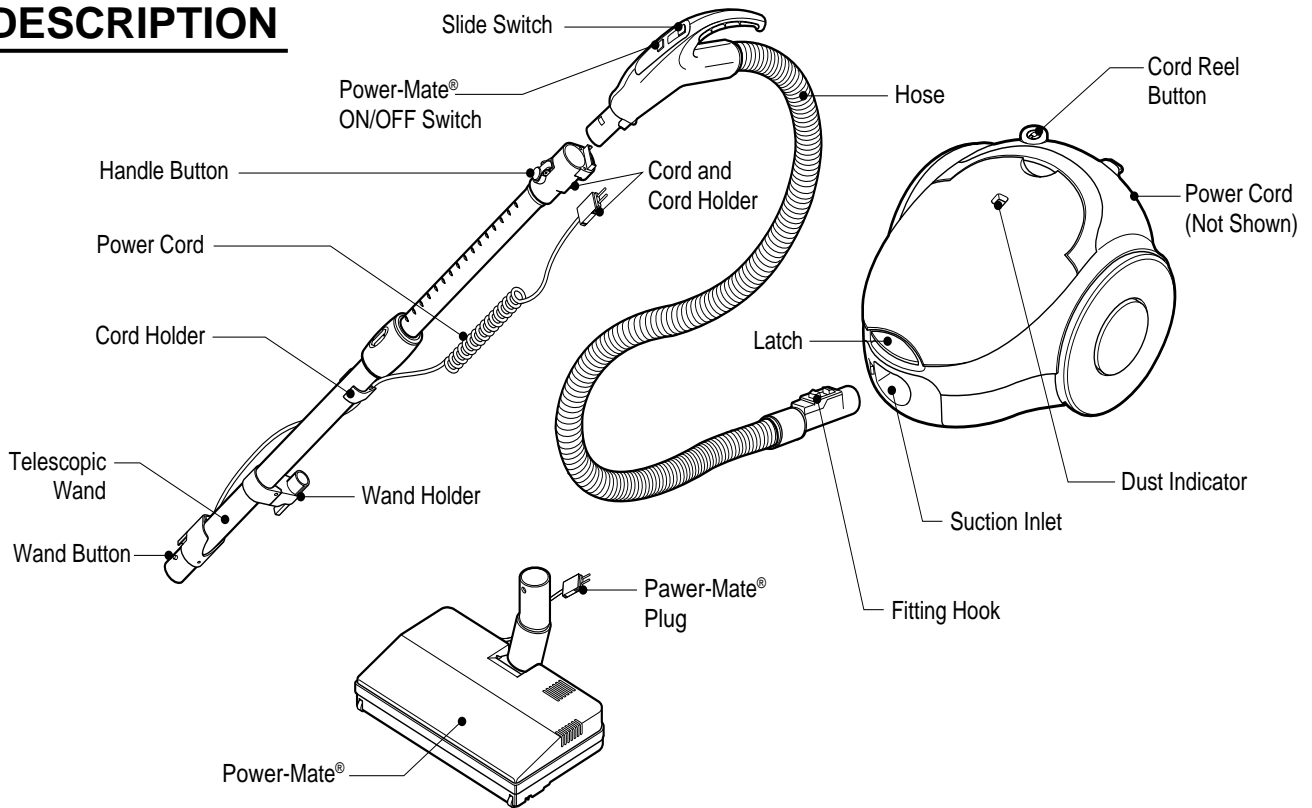
SPECIFICATIONS

- **POWER SOURCE:** ON RATING PLATE
- **POWER CONTROL:**
MAIN: SLIDE CONTROL ON HANDLE
- **CAPACITY:** 2 ℓ
- **CORD LENGTH:** 5 m
- **HOSE LENGTH:** 1.5 m
- **NET WEIGHT:** 4.5 kg
- **PACKING WEIGHT:** 8.4 kg
- **NET DIMENSION:** 293 × 334 × 243 (W × D × H)mm
- **PACKING DIMENSION:** 325 × 565 × 307(W × D × H)mm

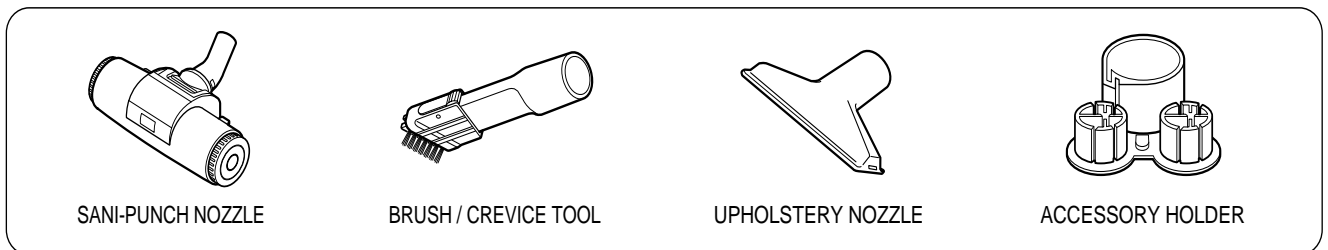
- **ATTACHMENTS**
- FLEXIBLE HOSE ASSY 1EA
- TELESCOPIC WAND 1EA
- RUG/FLOOR NOZZLE1EA
- BRUSH/CREVICE TOOL..... 1EA
- UPHOLSTERY NOZZLE 1EA
- ACCESSORY HOLDER 1EA

3.2 MODEL 721.21295000, 20.21325

DESCRIPTION



ATTACHMENTS



SPECIFICATIONS

- **POWER SOURCE:** ON RATING PLATE
- **POWER CONTROL:**
MAIN: SLIDE CONTROL ON HANDLE
- **CAPACITY:** 2 ℓ
- **CORD LENGTH:** 5 m
- **HOSE LENGTH:** 1.8 m
- **NET WEIGHT:** 4.5 kg
- **PACKING WEIGHT:** 10.2 kg
- **NET DIMENSION:** 293 × 334 × 243 (W × D × H)mm
- **PACKING DIMENSION:** 325 × 613 × 328(W × D × H)mm

- **ATTACHMENTS**
- FLEXIBLE HOSE ASSY 1EA
- TELESCOPIC WAND 1EA
- Power-Mate® 1EA
- SANI-PUNCH NOZZLE 1EA
- BRUSH/CREVICE TOOL 1EA
- UPHOLSTERY NOZZLE 1EA
- ACCESSORY HOLDER 1EA

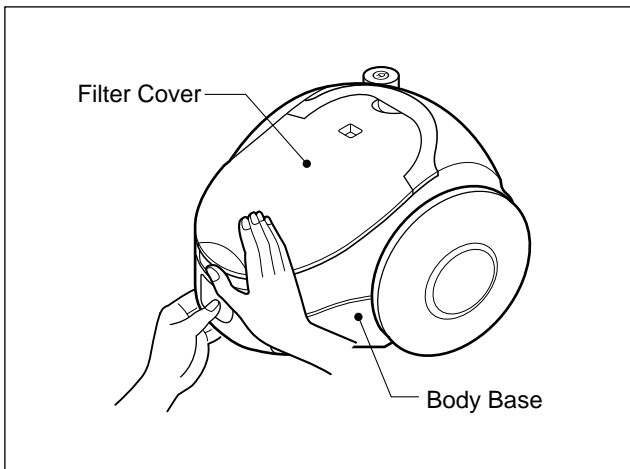
4.DISASSEMBLY

NOTE: Before attempting to service or adjust any part of the vacuum cleaner, disconnect the electrical power supply cord from the wall outlet.

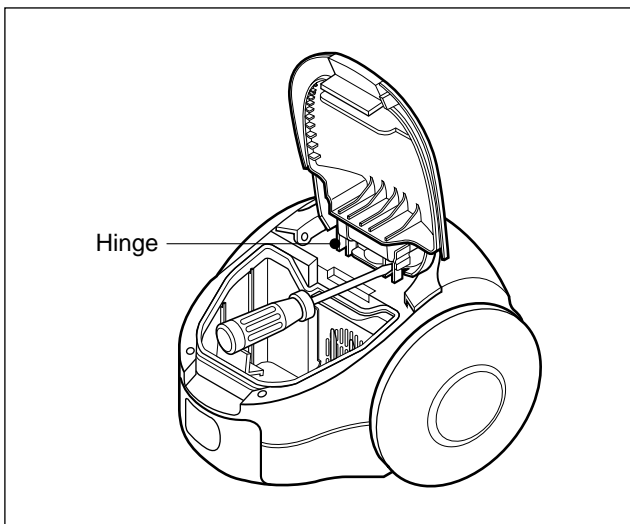
- Almost all the parts of this vacuum cleaner can be assembled with a screw driver and each connecting component easily fits each other. Disassemble one by one referring to the exploded view.
- If possible, don't disassemble except for the necessary parts. It is not necessary to disassemble the parts that are not detailed in the exploded view.

4.1 Filter Cover Assembly Replacement

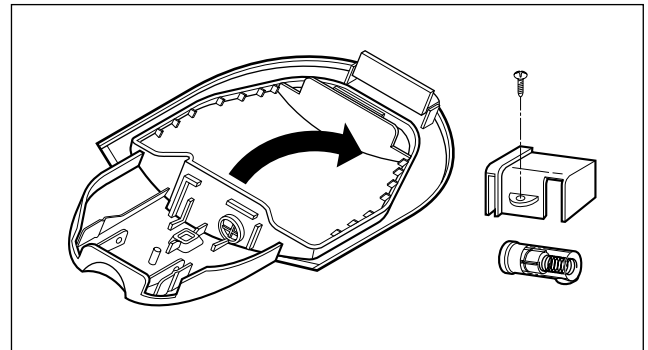
1) Grasp body base and open filter cover.



2) Push the hinge side by inserting flat screw driver in crack between hinge and body cover.

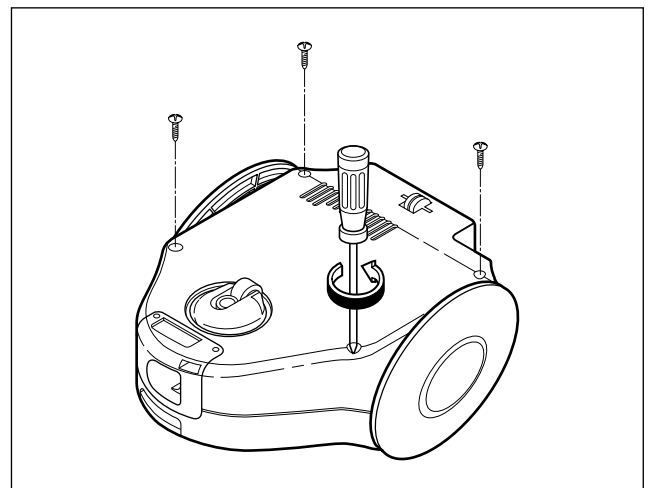


4.2 Indicator Assembly Replacement

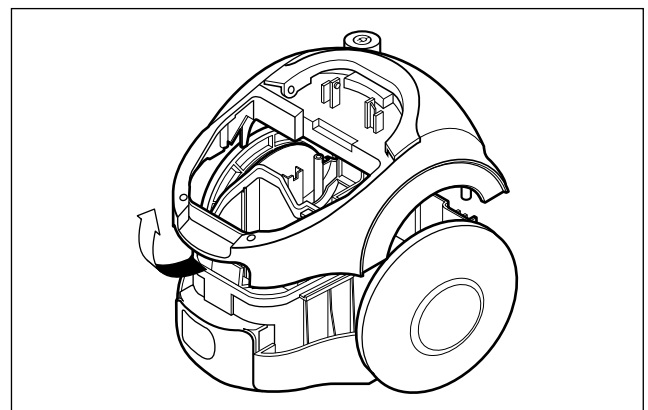


4.3 Body Cover Assembly Replacement

1) Open the filter cover and remove the two screws and remove the four screws fastening the body base.

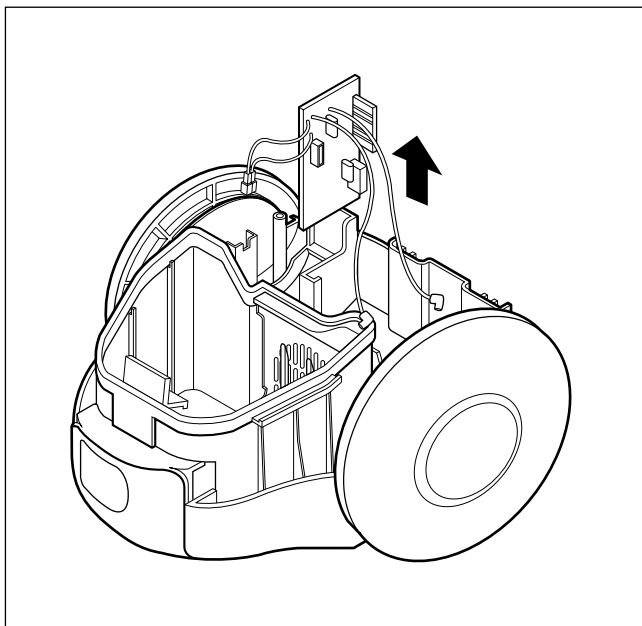


2) Lift body cover in the direction of the arrow.



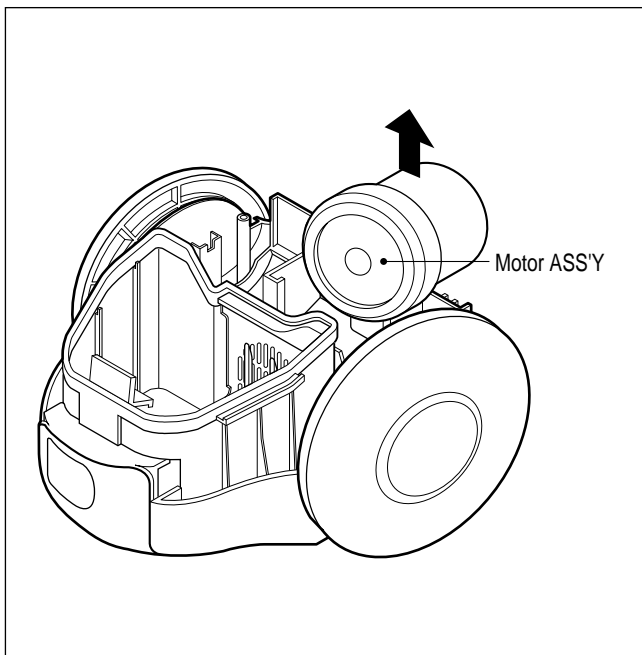
4.4 P.W.B ASS'Y Replacement.

- 1) Lift the P.W.B ASS'Y in the direction of the arrow.



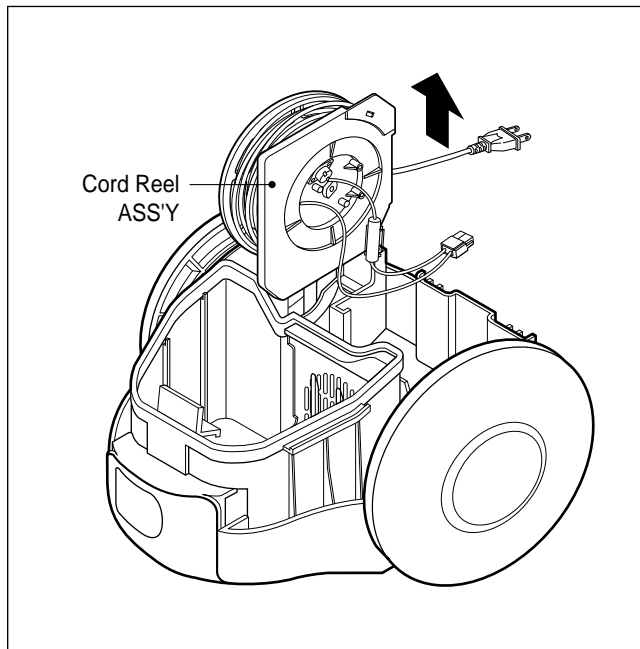
4.5 Motor Assembly Replacement

- Lift the motor assembly in direction of the arrow after stripping off the lead wires.



4.6 Cord reel assembly replacement

- 1) Lift the cord reel assembly from the body base in direction of the arrow.
- 2) Strip off the lead wires.

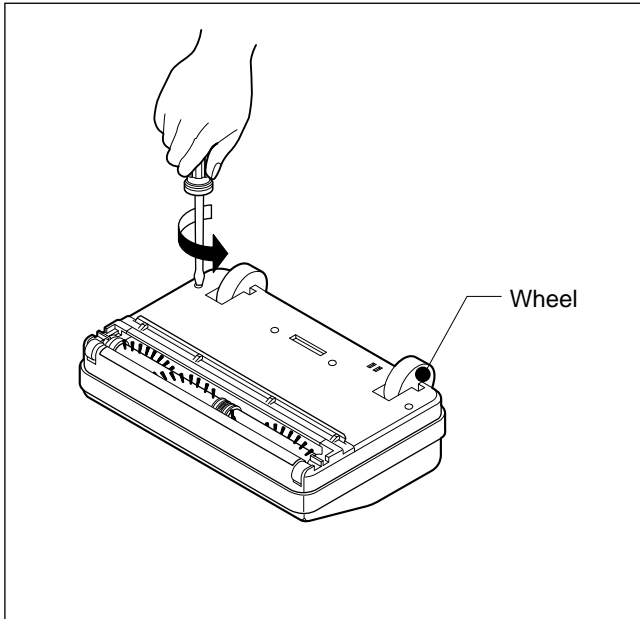


**4.7 Belt Changing and Brush Cleaning
 (ONLY MODEL 721.21295000, 20.21325)**

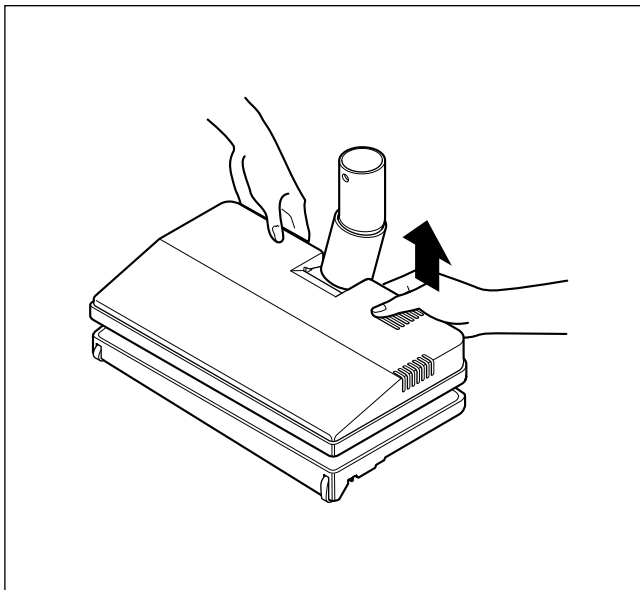
- Disconnect cleaner from electrical outlet. Check and remove hair, string and lint build-up frequently in the Power-Mate® brush and brush support areas. If build-up becomes excessive, disconnect Power-Mate® from Telescopic wand.

TO REMOVE BELT

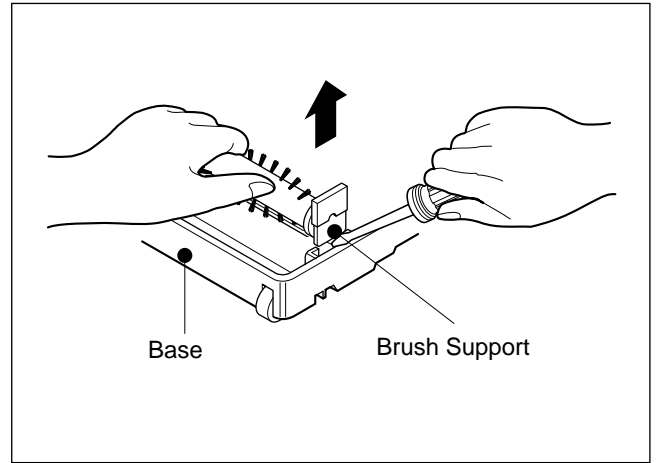
- 1) Turn power-Mate® upside down.
- 2) Unscrew the for Power-Mate® cover screws.



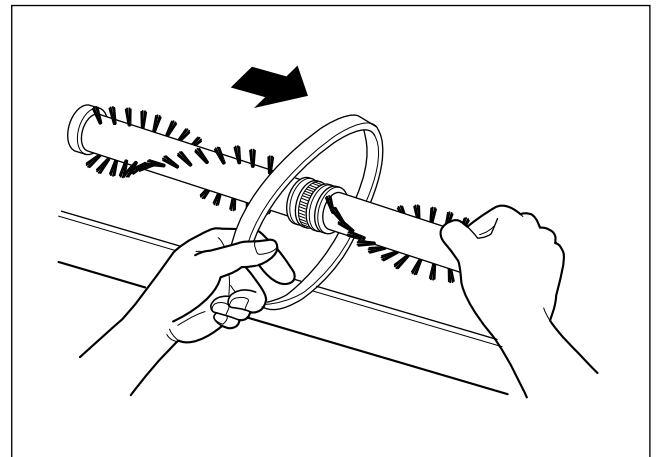
- 3) Turn Power-Mate® rear side up and tilt cover forward from back until front snaps free.



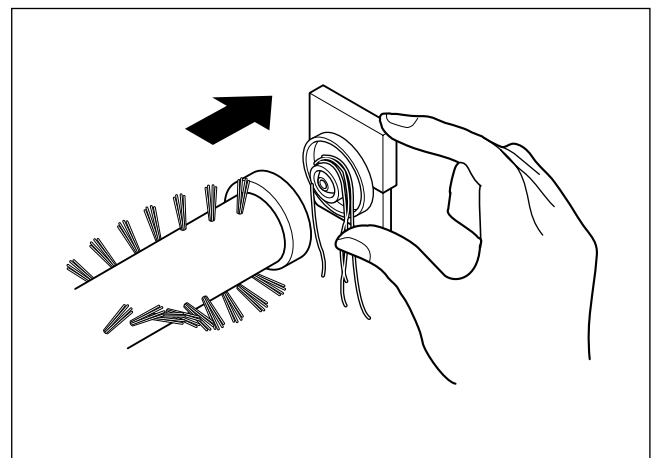
- 4) Carefully insert and lift screwdriver at each brush support to free brush from base.



- 4) Remove worn belt.

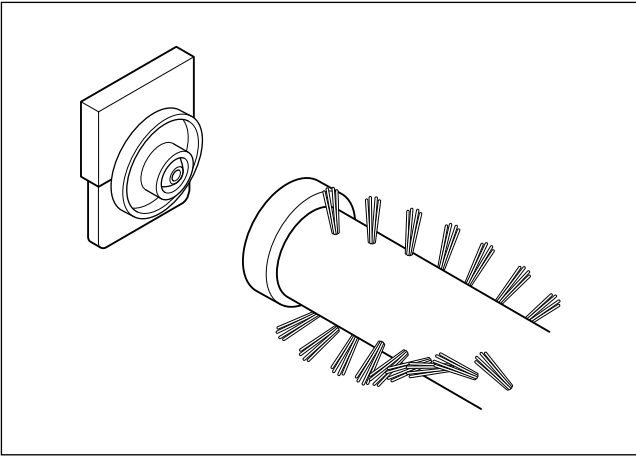


- 6) Slide brush supports off to check and clean brush support areas. See BRUSH ASSEMBLY for picture of complete brush assembly.

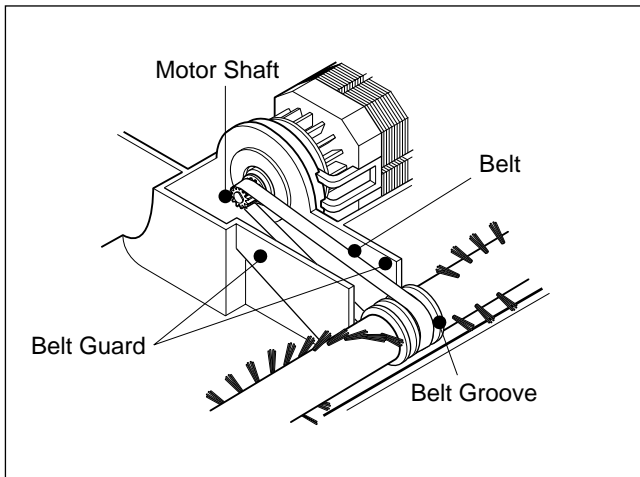


TO REPLACE BELT:

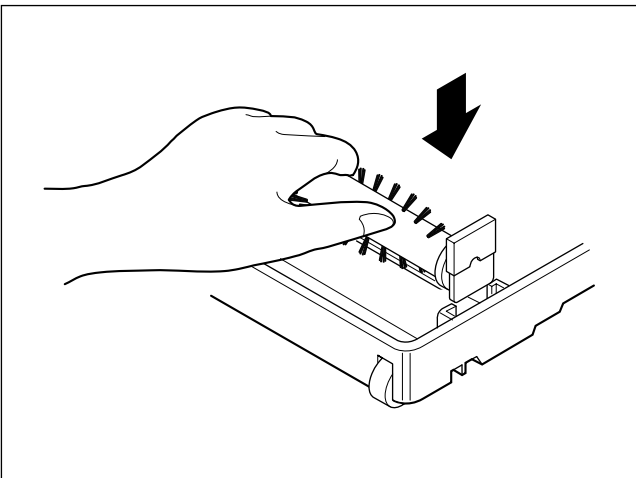
1) Install brush supports onto brush assembly.



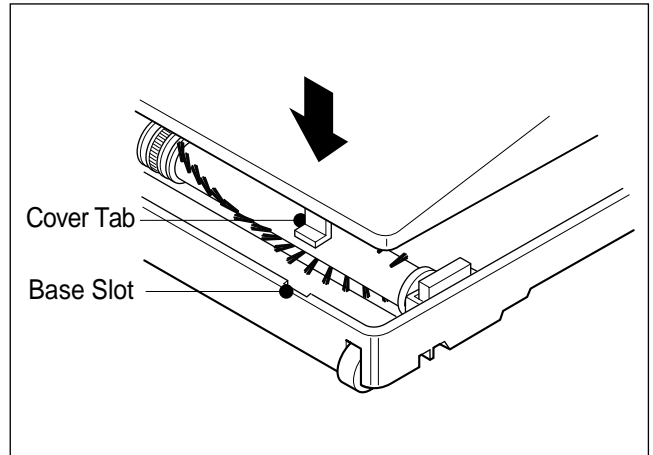
2) Install new belt in belt groove on the brush assembly, then over the motor shaft. Be sure belt is in between the belt guards.



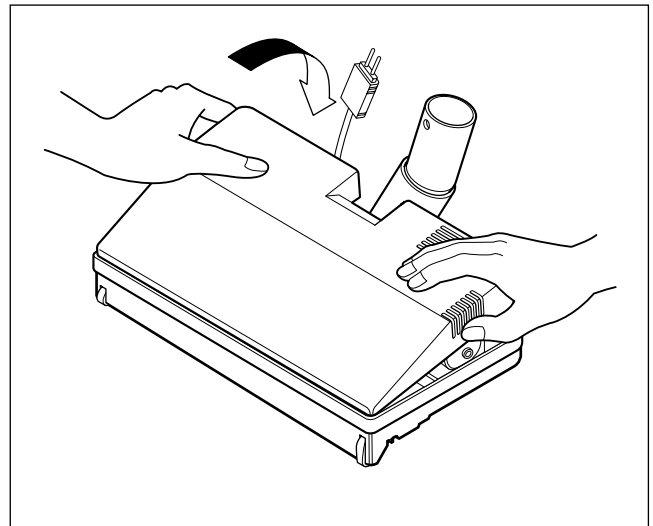
3) Insert each support into its base slots.



4) Line up tabs on cover with slots inside the base.

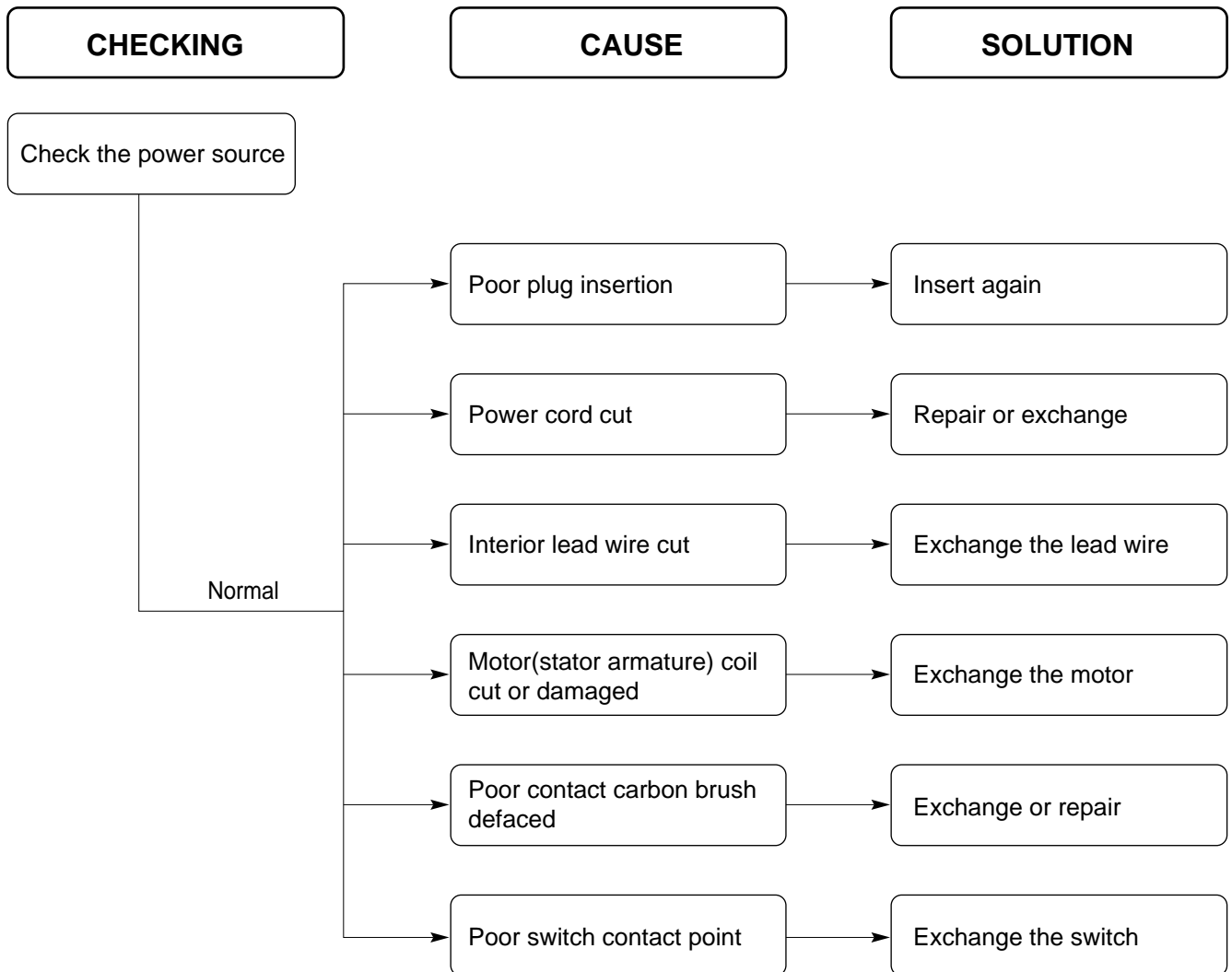


5) Push cover and base together.

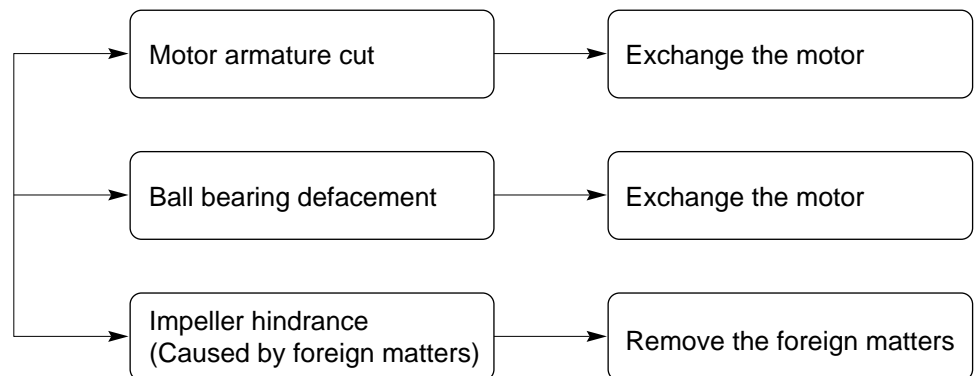


5.TROUBLE SHOOTING

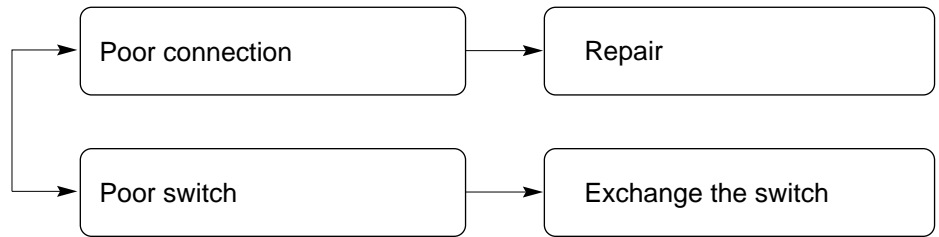
1) SWITCH ON BUT MOTOR DOES NOT TURN



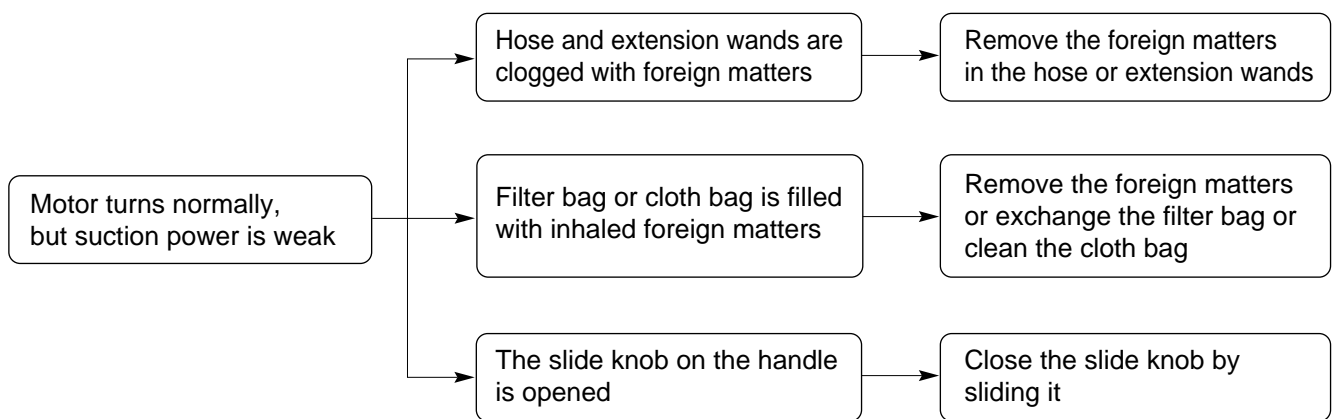
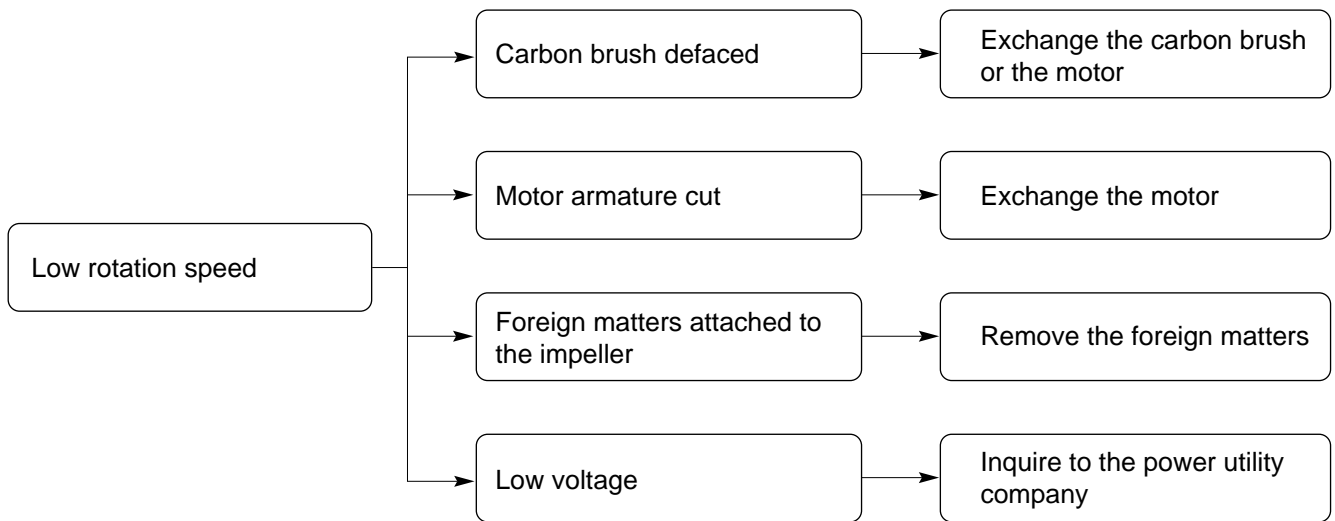
2) SWITCH ON, MOTOR DOES NOT TURN BUT BUZZES



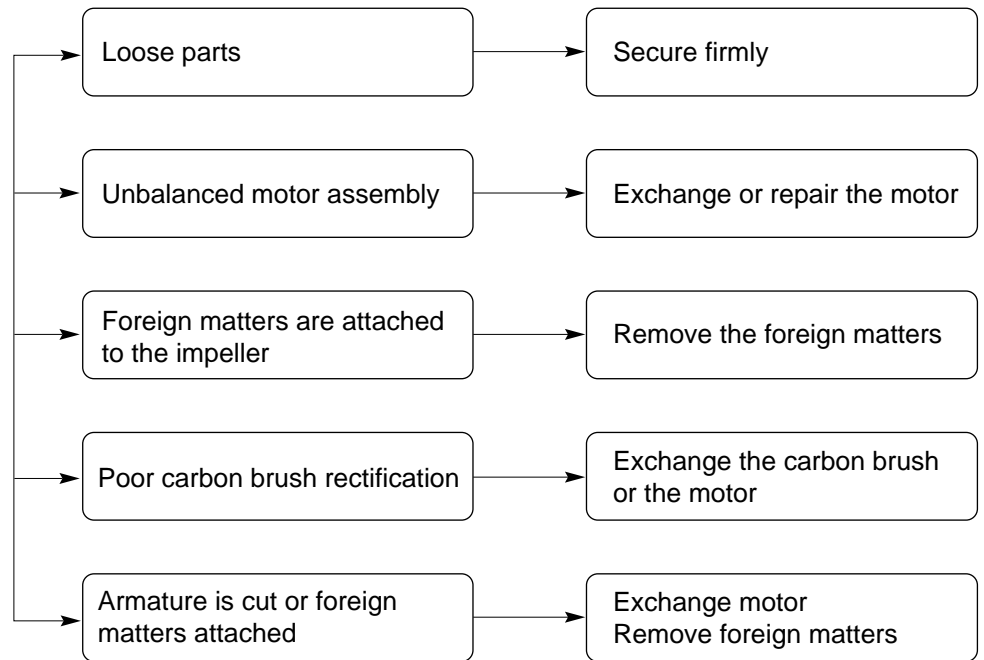
3) SWITCH OFF BUT MOTOR TURNS



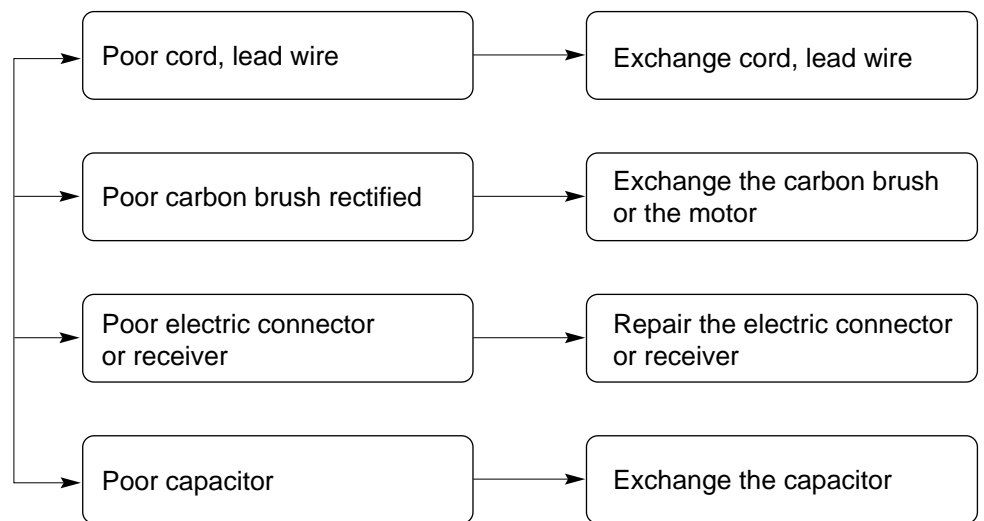
4) WEAK SUCTION POWER



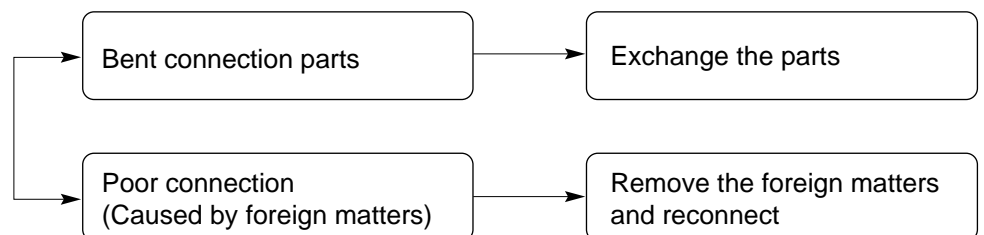
5) VIBRATION NOISES



6) RADIO, TV RECEPTION DISTURBANCE

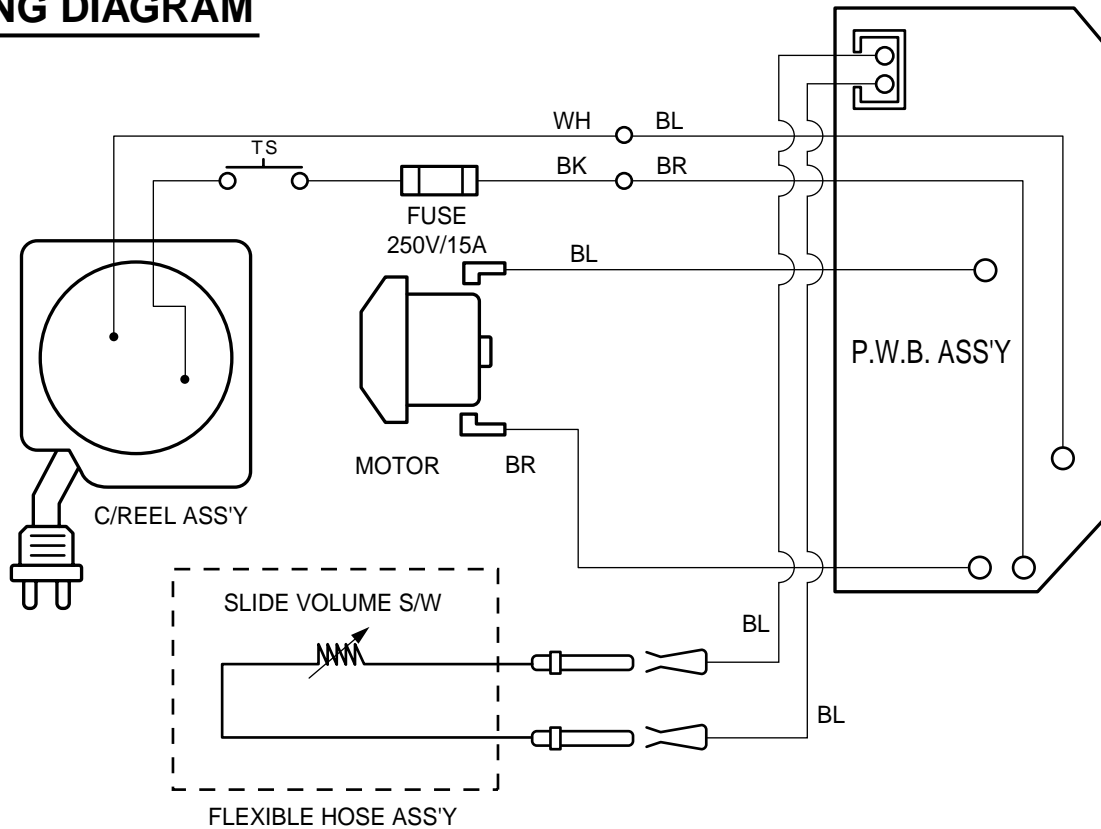


7) IMPROPER HOSE OR NOZZLE CONNECTION

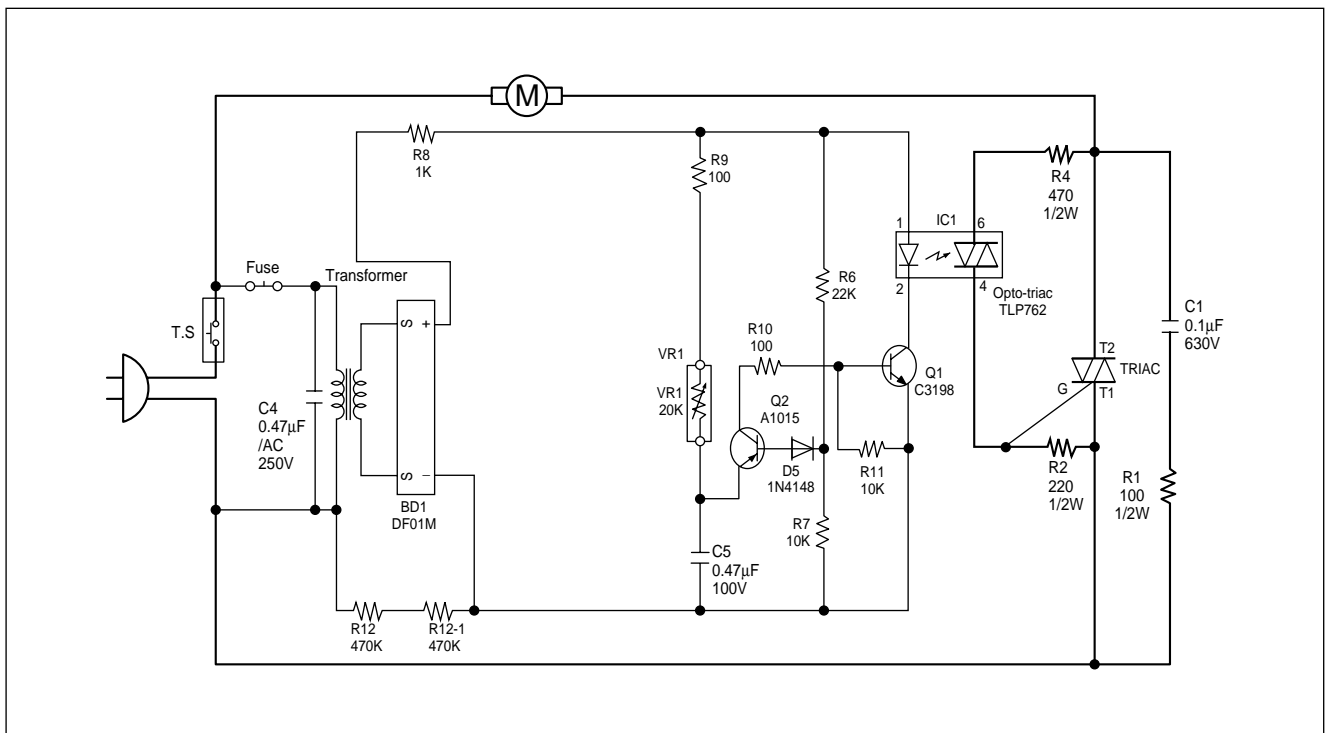


6. WIRING DIAGRAM / SCHEMATIC DIAGRAM

6.1 MODEL 721.21195000, 20.21125 WIRING DIAGRAM

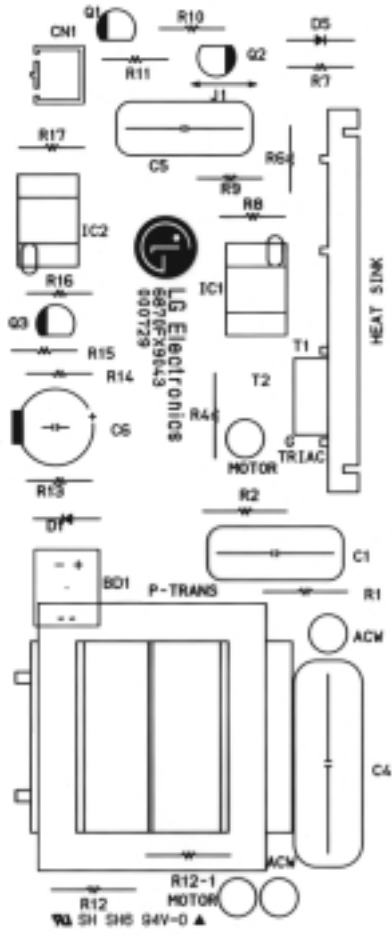


SCHEMATIC DIAGRAM

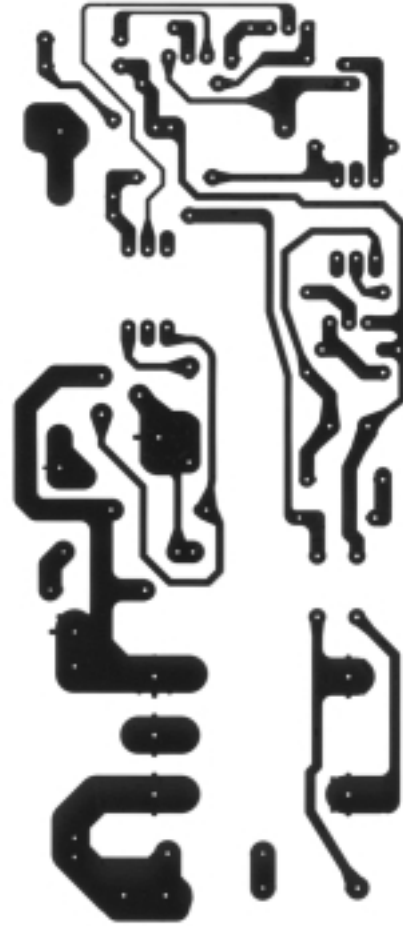


7. POWER AND CONTROL CIRCUIT BOARD

7.1 MODEL 721.21195000, 20.21125

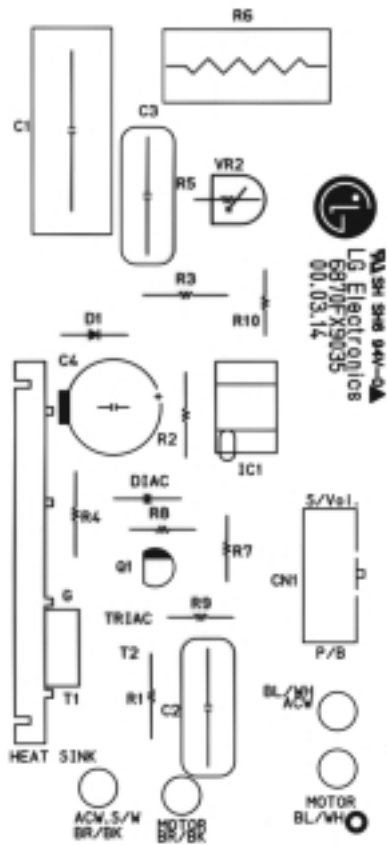


COMPONENT SIDE

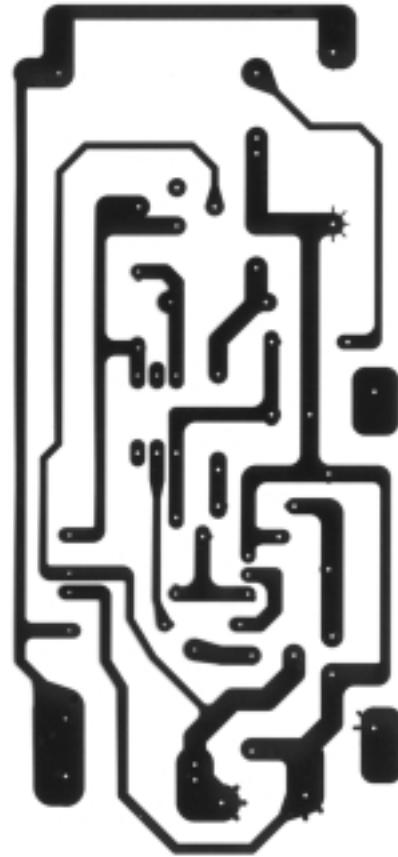


SOLDER SIDE

7.2 MODEL 721.21295000, 20.21325



COMPONENT SIDE

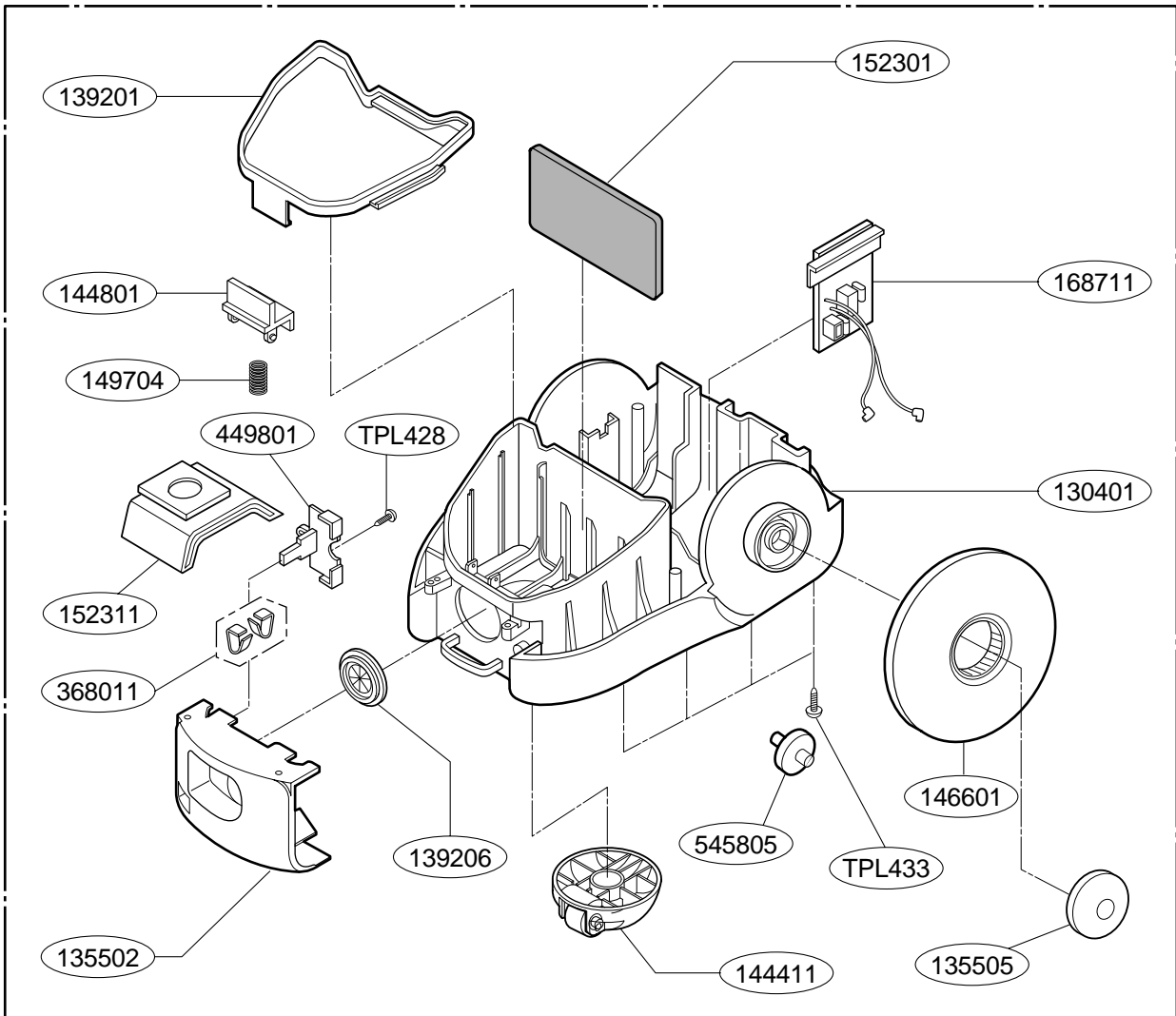
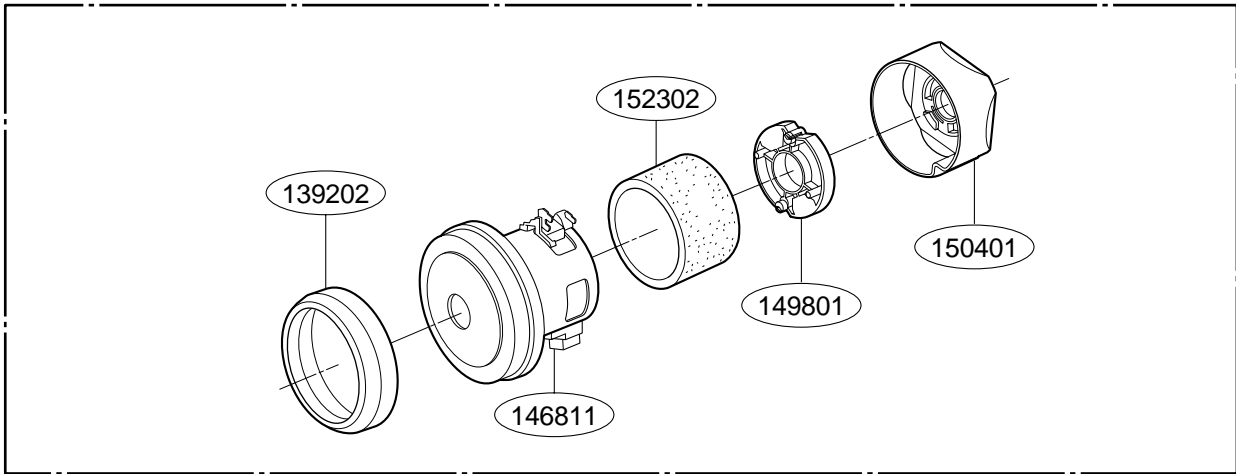


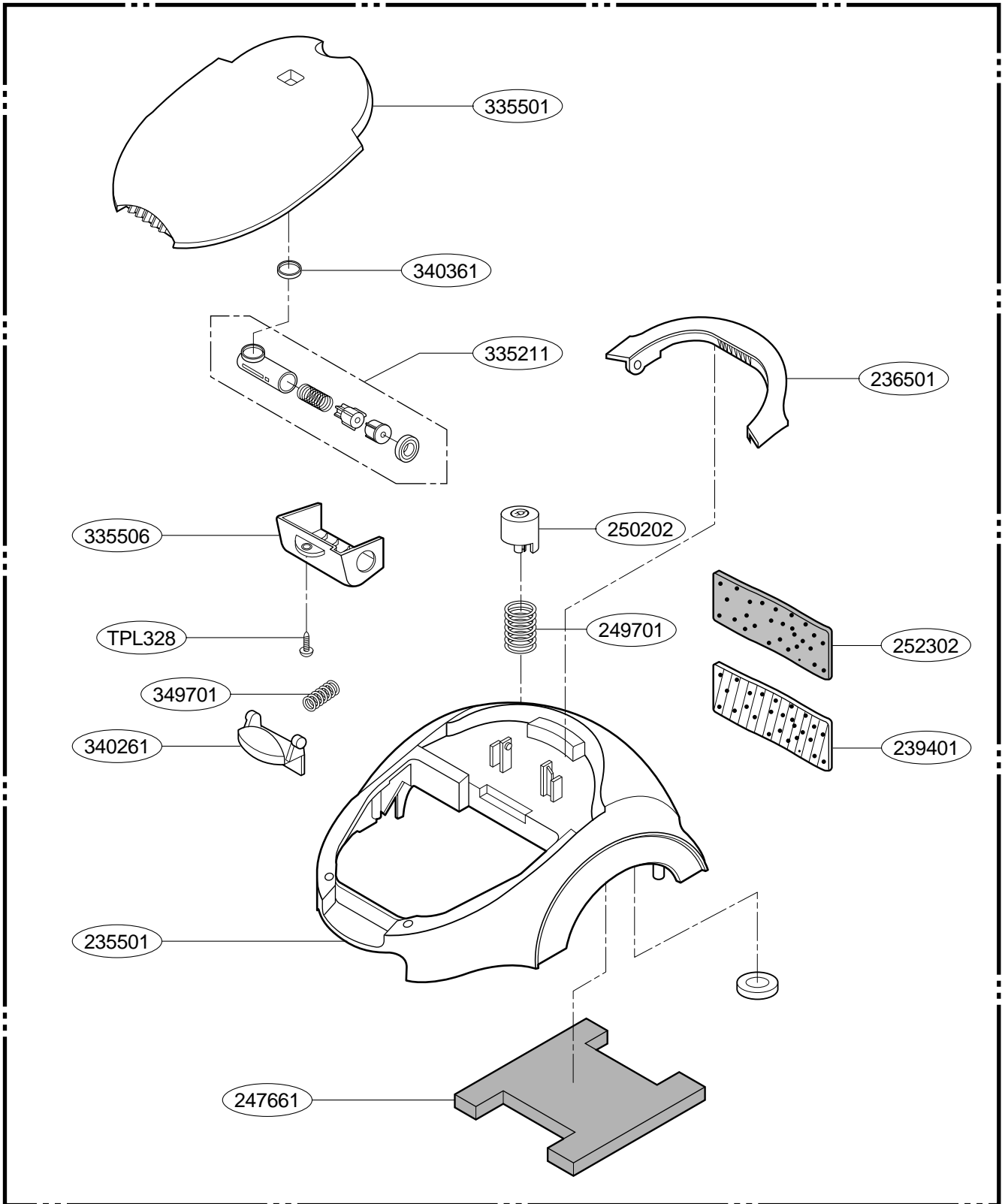
SOLDER SIDE

8. EXPLODED VIEW/REPLACEMENT PARTS LIST

8.1 MODEL 721.21195000, 20.21125 EXPLODES VIEW

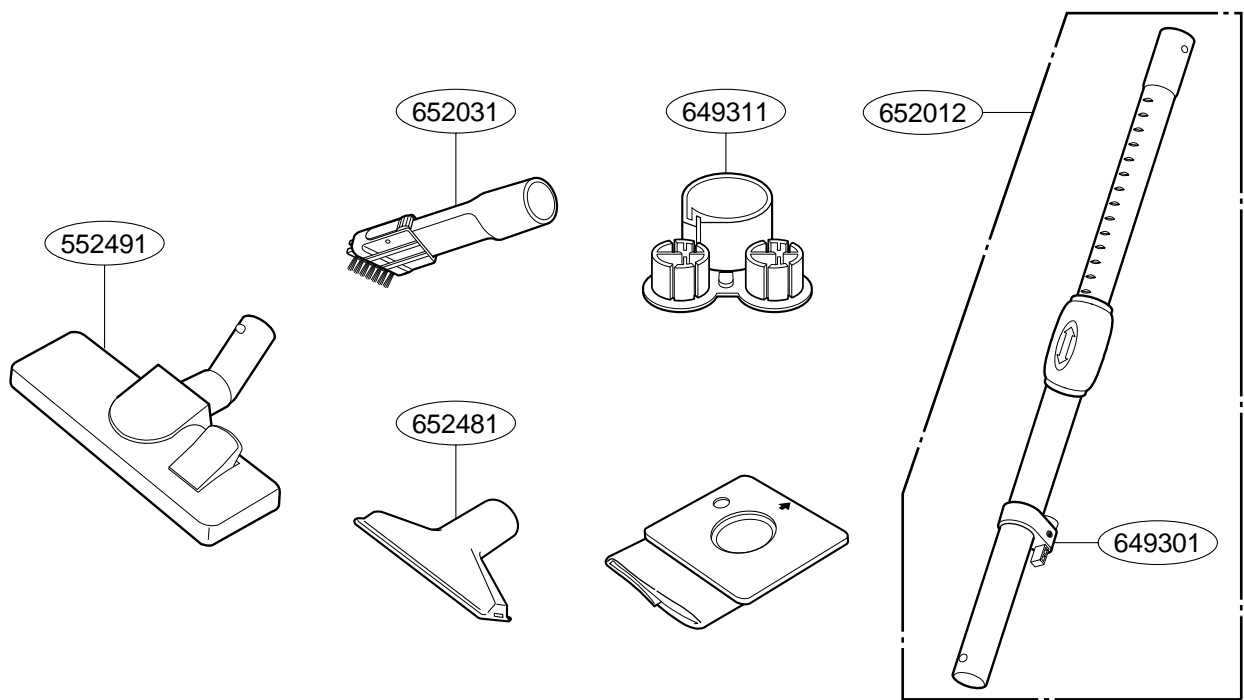
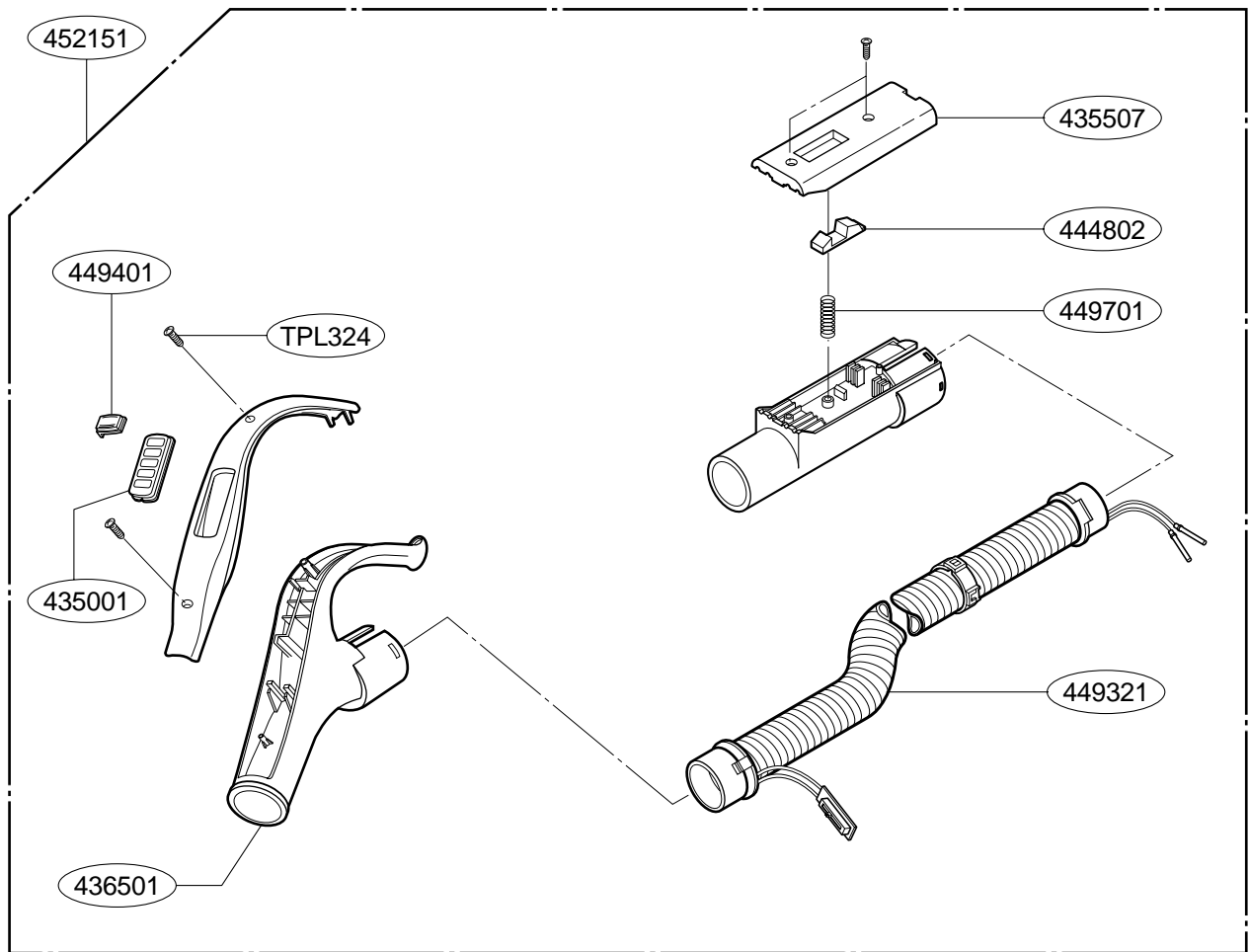
MODEL 721.21195000
 20.21125





MODEL 721.21195000
721.21295000
20.21125
20.21325

MODEL 721.21195000
20.21125



REPLACEMENT PARTS LIST

MODEL 721.21195000
20.21125

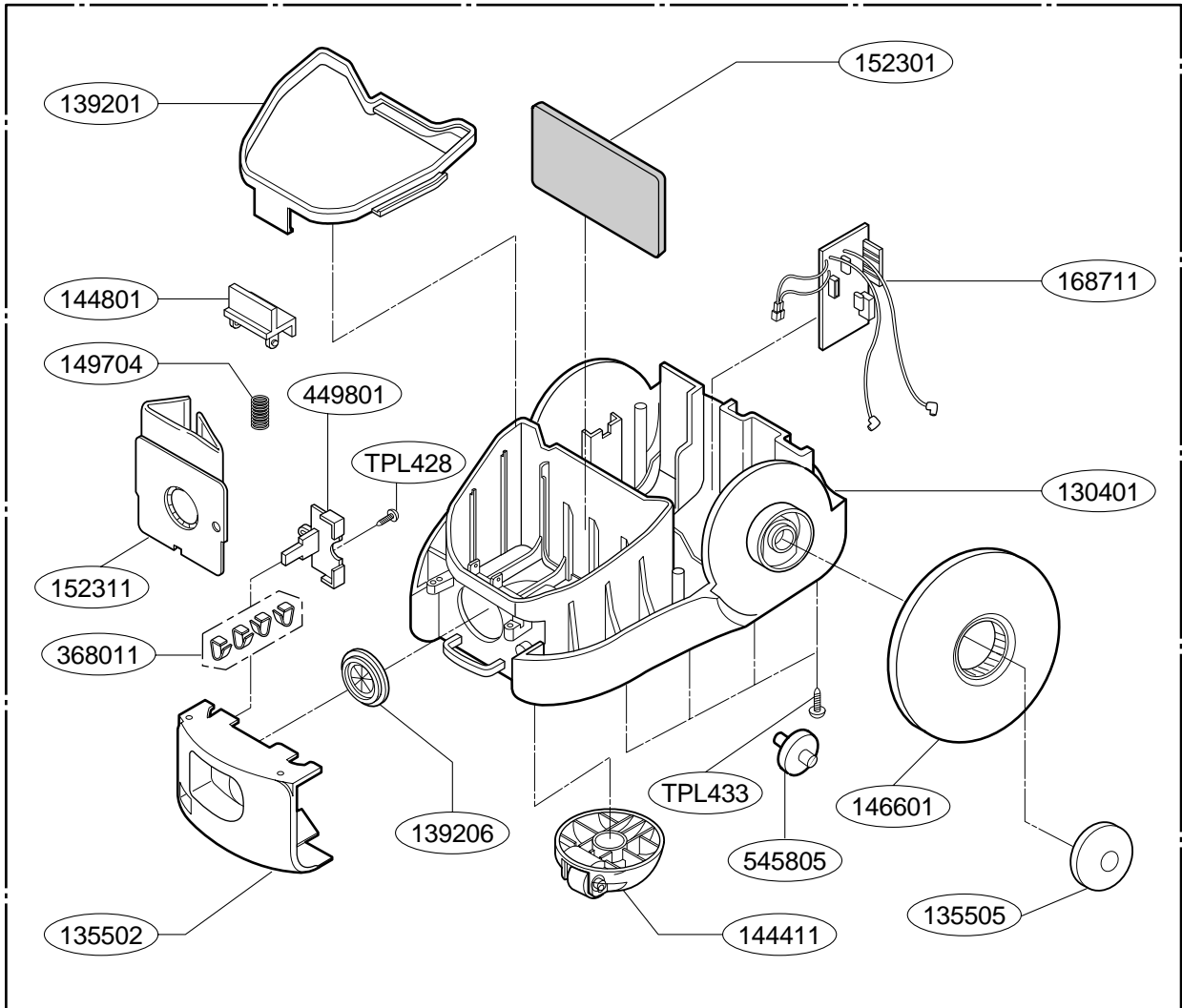
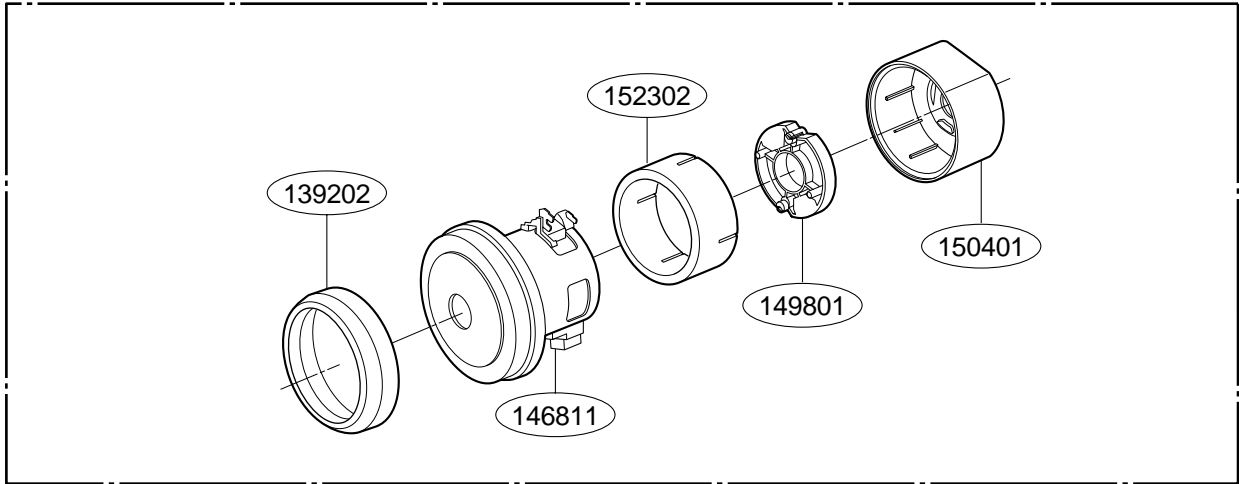
LOCATION NO.	PART NO.	DESCRIPTION	REMARK
130401	3040FI1111D	Base, Body	
146601	4660FI1114D	Wheel	
135505	4660FI3238N	Cover, Wheel	
144801	3I23004B	Locker, Filter	
149704	4I23017A	Spring	
152301	5230FI3248A	Filter, Motor Safety	
135502	3550FI1113D	Cover, Front	
139206	4036FI3036A	Gasket, Terminal	
368011	3I23038G	Harness, Single	
139201	3920FI1115A	Gasket, Dust	
449801	3I23009L	Block, Terminal	
TPL428	1TPL0402818	Screw, Tapping	
545805	4I22017F	Roller	
152311	5231FI2390J	Filter Assembly, Paper	721.21195
152312	5231FI3018B	Filter Assembly, Paper	20.21125
144411	4441FI3605J	CASTER ASSEMBLY	
146871	6411FI1071W	Reel Assembly	
164111	6411FI2422M	Power Cord	
10FZZ1	4I60037W	Fuse, Time Delay	
169301	6931FI3523E	Thermostat	
168711	6871FX2130C	PCB Assembly, Main	
235501	3070FI1110N	Cover, Body	
335501	3550FI1551K	Cover, Filter	
236501	3650FI2132N	Handle, Carrier	
340261	4026FI3234A	Locker	
349701	4970FI4260A	Spring, Coil	
250202	5020FI3233N	Button, Cord Reel	
249701	4I70024A	Spring, Coil	
247661	4766FI3251A	Mop	
239401	3940FI3252A	Filter, Exhaust	
335211	3I23019L	Indicator Assembly	
335506	3550FI3307G	Cover, Indicator	
340361	4036FI4074A	Gasket	
TPL328	1TPL0302818	Screw, Tapping	
252302	5230FI3558A	Filter, Exhaust	
149801	4980FI3702A	Damper, Motor	

LOCATION NO.	PART NO.	DESCRIPTION	REMARK
146811	4681FI2373G	Motor,AC	
139202	3920FI3600C	Damper, Motor Mount	
150401	5040FI2449B	Damper, Sound	
152302	3940FI3646A	Damper, Absorbing	
452151	5214FI1453R	Hose Assembly, Flexible	
436501	3650FI1474C	Handle, Grip	
435501	3550FI1377X	Cover, Grip	
435001	3500FI3616X	Panel, Switch	
449321	4932FI2360C	Hose Assembly, Connector	
449401	4940FI3431A	Knob, Control	
TPL324	1TPL0302416	Screw, Tapping	
444802	3I23013P	Locker, Connector	
449701	4I23028A	Spring, Coil	
435507	3550FI2358F	Cover, Pipe	
652012	5201FI2442A	Pipe Assembly, Telescopic	
649301	4930FI2231F	Holder, Pipe	
552491	5249FI1399A	Nozzle Assembly, Floor	
652481	5248FI2259C	Nozzle, Upholstery	
652031	3I22005N	Brush Assembly, Dust	
650581	3I22006M	Nozzle, Crevice	
649331	4930FI2378B	Holder, Accessory	
638901	3890FG1060A	Box, Color	

8. EXPLODED VIEW/REPLACEMENT PARTS LIST

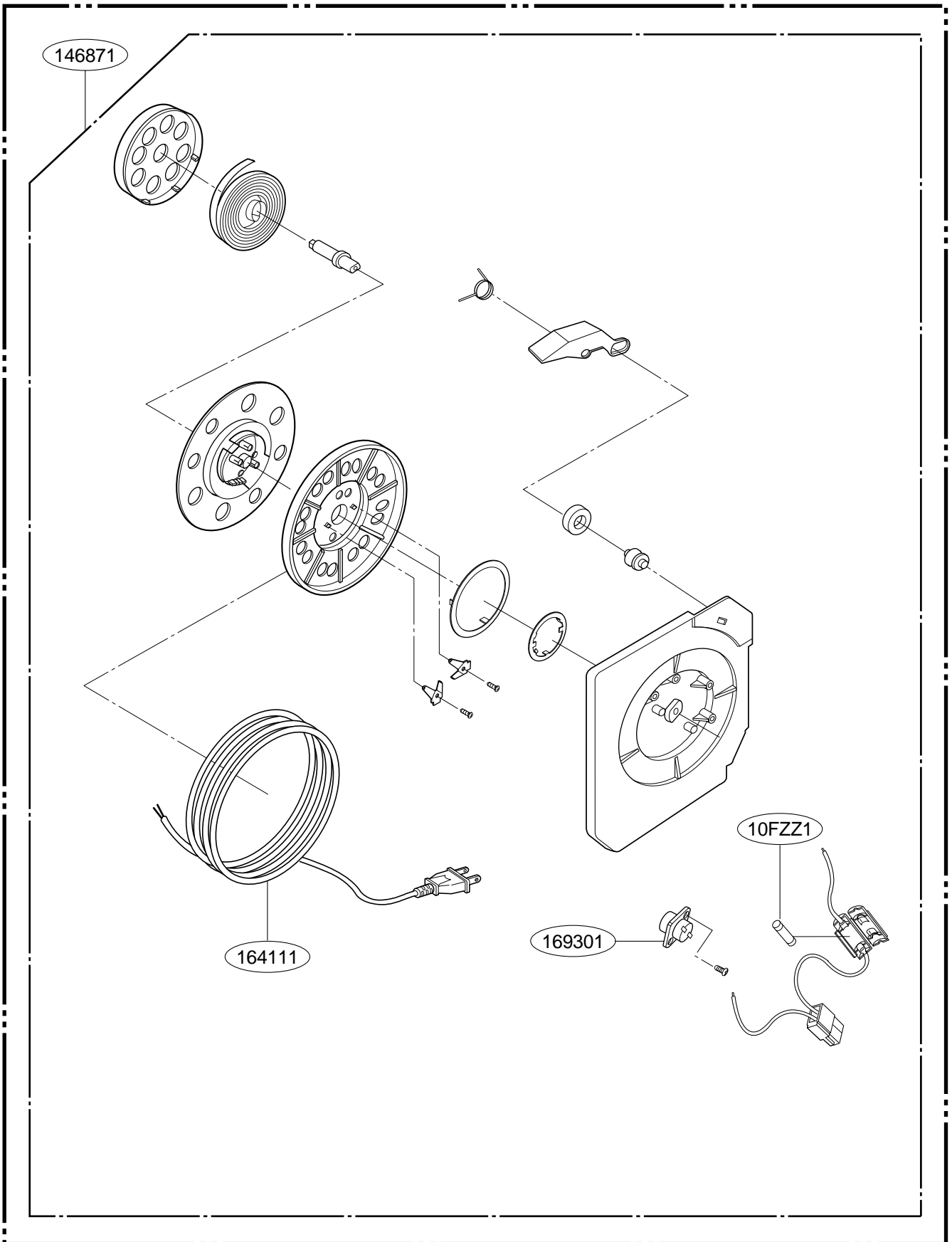
8.2 MODEL 721.21295000, 20.21325 EXPLODES VIEW

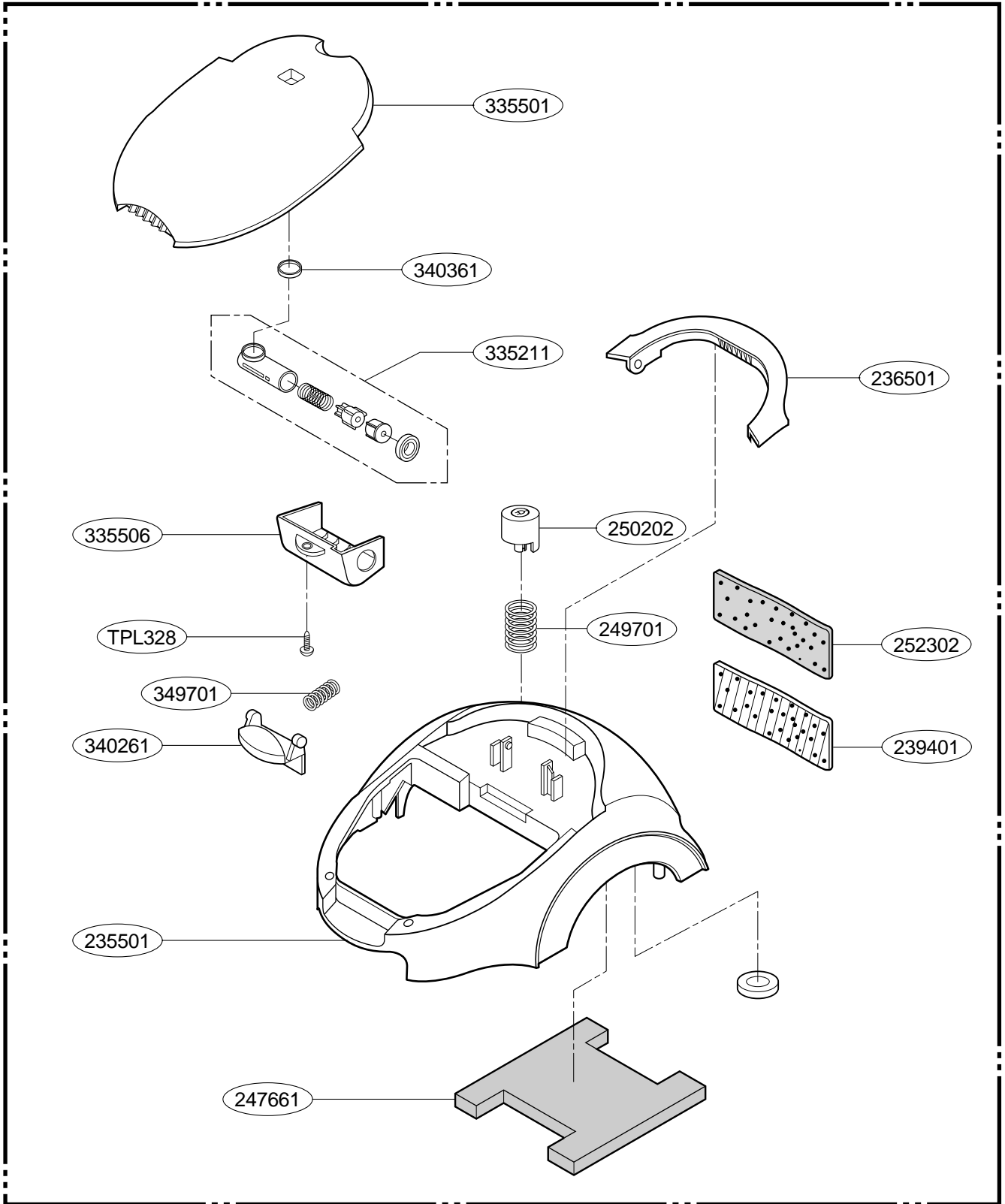
MODEL 721.21295000
 20.21325



MODEL 721.21195000
721.21295000
20.21125
20.21325

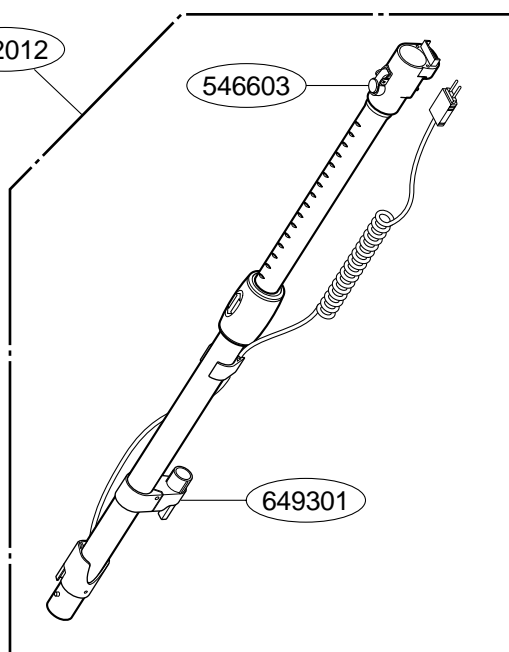
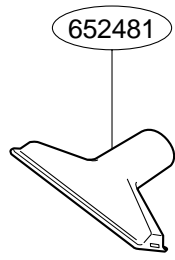
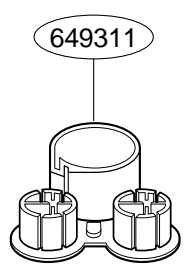
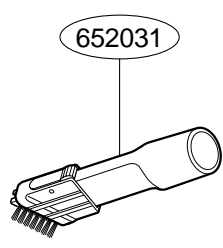
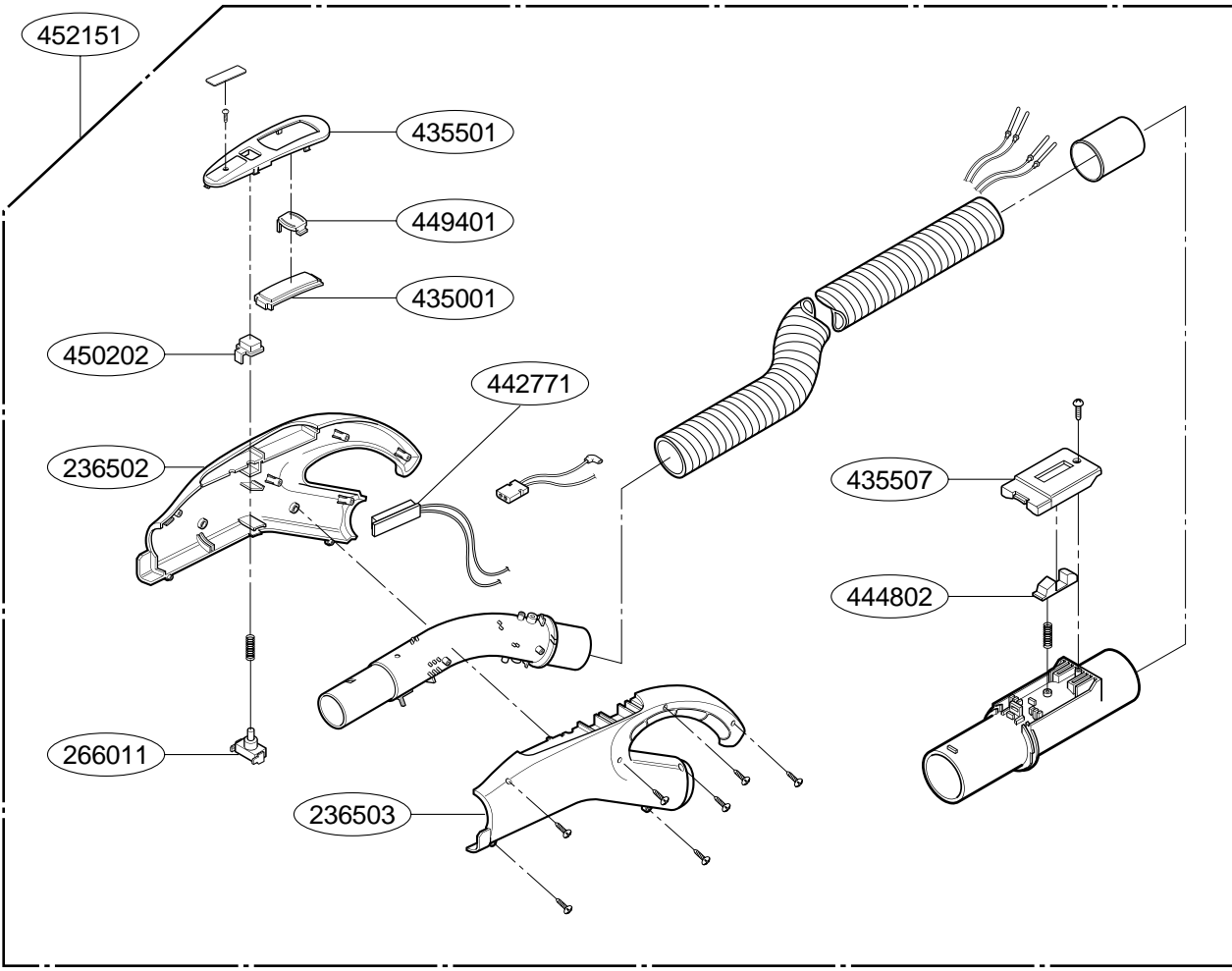
MODEL 721.21295000
20.21325





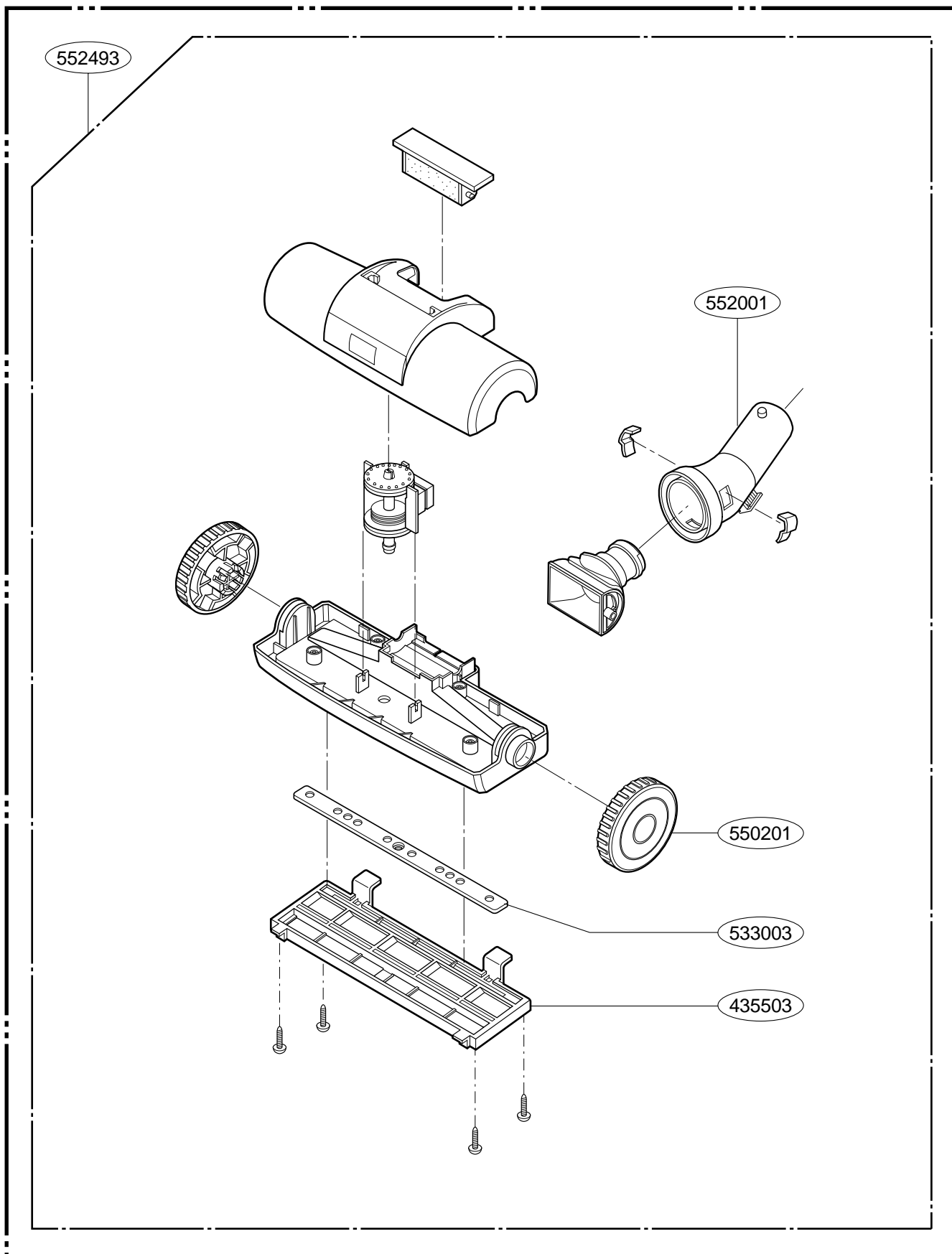
MODEL 721.21195000
721.21295000
20.21125
20.21325

MODEL 721.21295000
20.21325



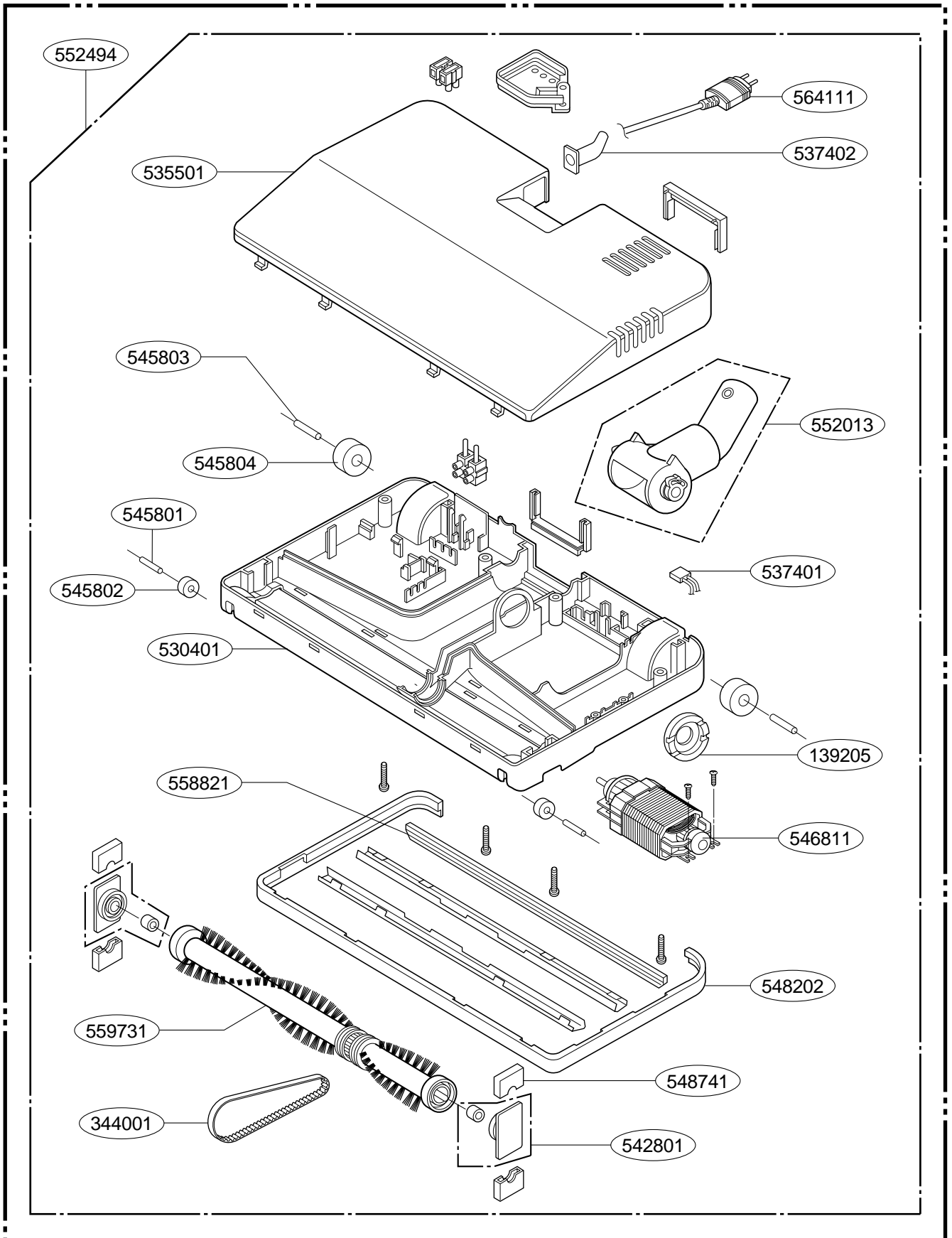
MODEL 721.21195000
721.21295000
20.21125
20.21325

MODEL 721.21295000
20.21325



MODEL 721.21195000
721.21295000
20.21125
20.21325

MODEL 721.21295000
20.21325



REPLACEMENT PARTS LIST

MODEL 721.21295000
20.21325

LOCATION NO.	PART NO.	DESCRIPTION	REMARK
130401	3040FI1111D	Base, Body	
135505	4660FI3238N	Cover, Wheel	
146601	4660FI1114D	Wheel	
144801	3I23004B	Locker, Filter	
149704	4I23017A	Spring	
152301	5230FI3248A	Filter, Motor Safety	
135502	3550FI1113F	Cover, Front	
139206	4036FI3036A	Gasket, Terminal	
368011	6801FI3256C	Harness, Single	
139201	3920FI1115A	Gasket, Dust	
449801	3I23009R	Block, Terminal	
TPL428	1TPL0402818	Screw, Tapping	
545805	4I22017F	Roller	
152311	5231FI2390J	Filter Assembly, Paper	721.21195
152312	5231FI3018B	Filter Assembly, Paper	20.21325
144411	4441FI3605B	Roller Assembly	
146871	6411FI1071W	Reel Assembly	
164111	6411FI2422M	Power Cord	
10FZZ1	4I60037W	Fuse, Time Delay	
169301	6931FI3523E	Thermostat	
168711	6871FX2125A	PCB Assembly, Main	
235501	3070FI1110N	Cover, Body	
335501	3550FI1551K	Cover, Filter	
236501	3650FI2132N	Handle, Carrier	
340261	4026FI3234A	Locker	
349701	4970FI4260A	Spring, Coil	
250202	5020FI3233N	Button, Cord Reel	
249701	4I70024A	Spring, Coil	
247661	4766FI3251A	Mop	
239401	3940FI3252A	Filter, Exhaust	
335211	3I23019L	Indicator Assembly	
335506	3550FI3307G	Cover, Indicator	
340361	4036FI4074A	Gasket	
TPL328	1TPL0302818	Screw, Tapping	
252302	5230FI3558A	Filter, Exhaust	
149801	4980FI3702A	Damper, Motor	

LOCATION NO.	PART NO.	DESCRIPTION	REMARK
146811	4681FI2373G	Motor, AC	
139202	3920FI3600C	Damper, Motor Mount	
150401	5040FI2449A	Damper, Sound	
239402	3940FI3646A	Damper, Absorbing	
452151	5215FI1316A	Hose Assembly, Flexible	
236502	3650FI1484A	Handle, Grip	
236503	3650FI1483A	Handle, Grip	
435501	3550FI2496A	Cover, Grip	
442771	6601FI3486M	Slider Assembly, Volume	
449401	4940FI3727A	Knob, Control	
266011	6601FI3472C	Switch Assembly	
450202	5020FI3765A	Button, Control	
435001	3500FI3619A	Panel, Switch	
435507	3550FI2501A	Cover, Pipe	
444802	3I23013P	Locker, Connector	
652012	5201FI1002A	Pipe Assembly, Telescopic	
649301	4930FI2231F	Holder, Pipe	
550201	5020FI4513B	Button, Release	
552494	5249FI1400A	Nozzle Assembly, Power	
564111	6411FI3298A	Power Cord Assembly	
537401	3740FI4259A	Bush, Cord	
535501	3550FI5001A	Cover, Nozzle	
545804	4580FI5003A	Roller	
545801	4580FI5001A	Shaft	
545802	4580FI5002A	Roller	
545803	4580FI5001B	Shaft	
552013	5201FI5001A	Pipe Assembly, Suction	
537402	3740FI5001A	Mechanical Part, Unclassified	
139205	3920FI5001A	Damper, Motor	
546811	4680FI5001A	Motor, Unclassified	
530401	3040FI5001A	Base, Nozzle	
558821	5882FI5001A	Sweeper	
548202	4820FI5001A	Bumper, Nozzle	
559731	5973FI5001A	Shaft Assembly, Agitator	
344001	4400FI5001A	Belt	
548741	4874FI5001A	Eyelet	

MODEL 721.21195000
721.21295000
20.21125
20.21325

MODEL 721.21295000
20.21325

LOCATION NO.	PART NO.	DESCRIPTION	REMARK
542801	4280FI5001A	Bearing, Ball	
552493	5249FI1395J	Nozzle Assembly, Quilt	
435503	3550FI2462D	Cover, Button	
533033	3300FI4238B	Plate, Beater	
552001	5200FI2470A	Pipe, Suction	
652481	5248FI2259C	Nozzle, Upholstery	
652031	3I22005N	Brush Assembly, Dust	
650581	3I22006M	Nozzle, Crevice	
649331	4930FI2378B	Holder, Accessory	
638901	3890FG1060B	Box, Color	

P/No. : 3828Fi9002H