

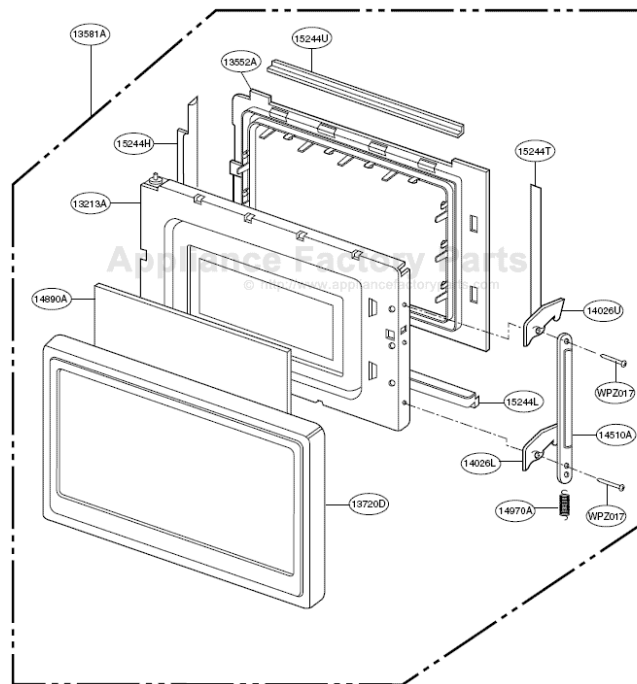
This Owner's Manual is provided and hosted by [Appliance Factory Parts](#).



# Kenmore 721.68360 Owner's Manual

**[Shop genuine replacement parts for Kenmore  
721.68360](#)**

## 1. DOOR PARTS



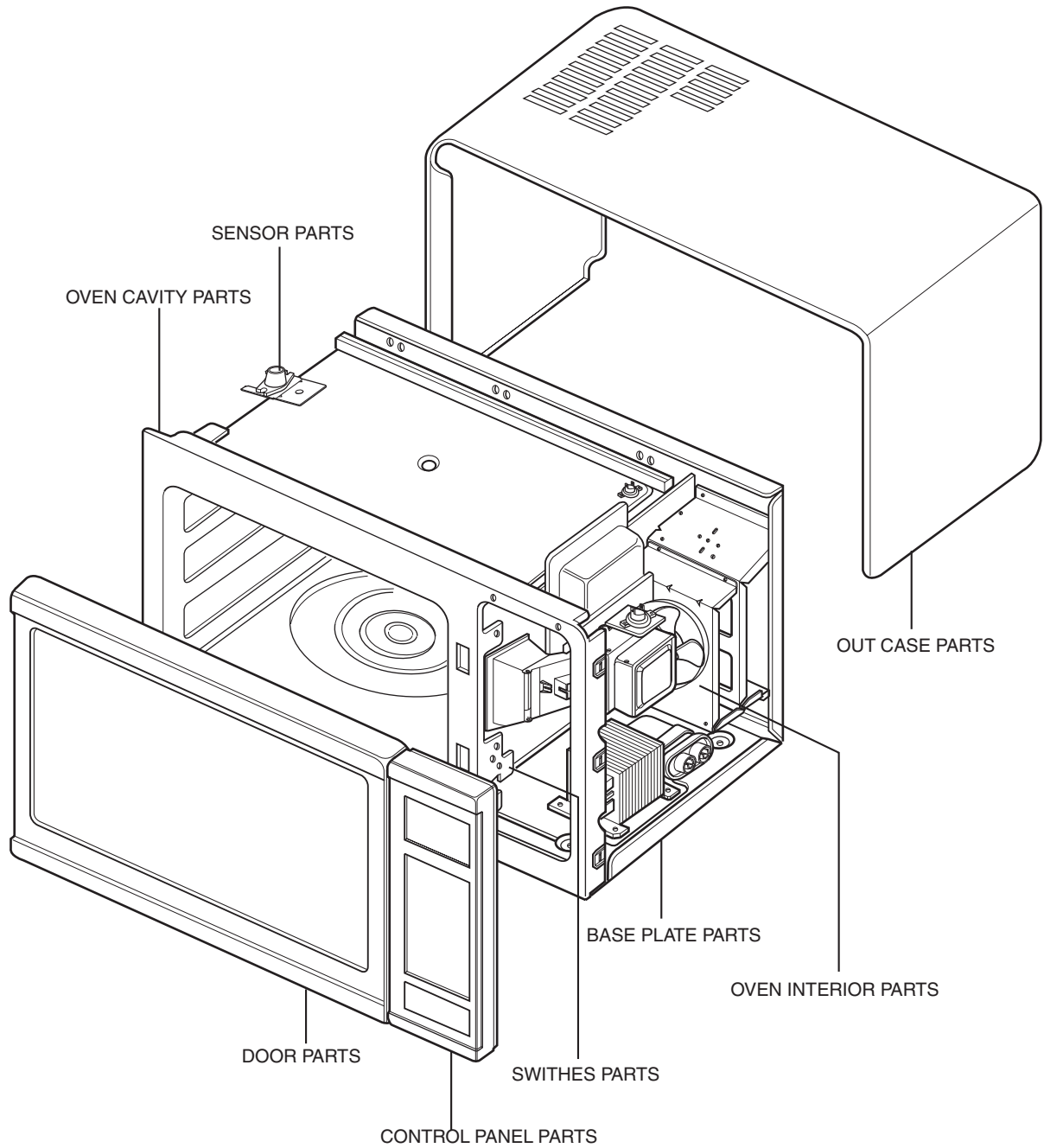
**[Find Your Kenmore Microwave Parts - Select From 532 Models](#)**

----- Manual continues below -----

# EXPLODED VIEW AND PARTS LIST

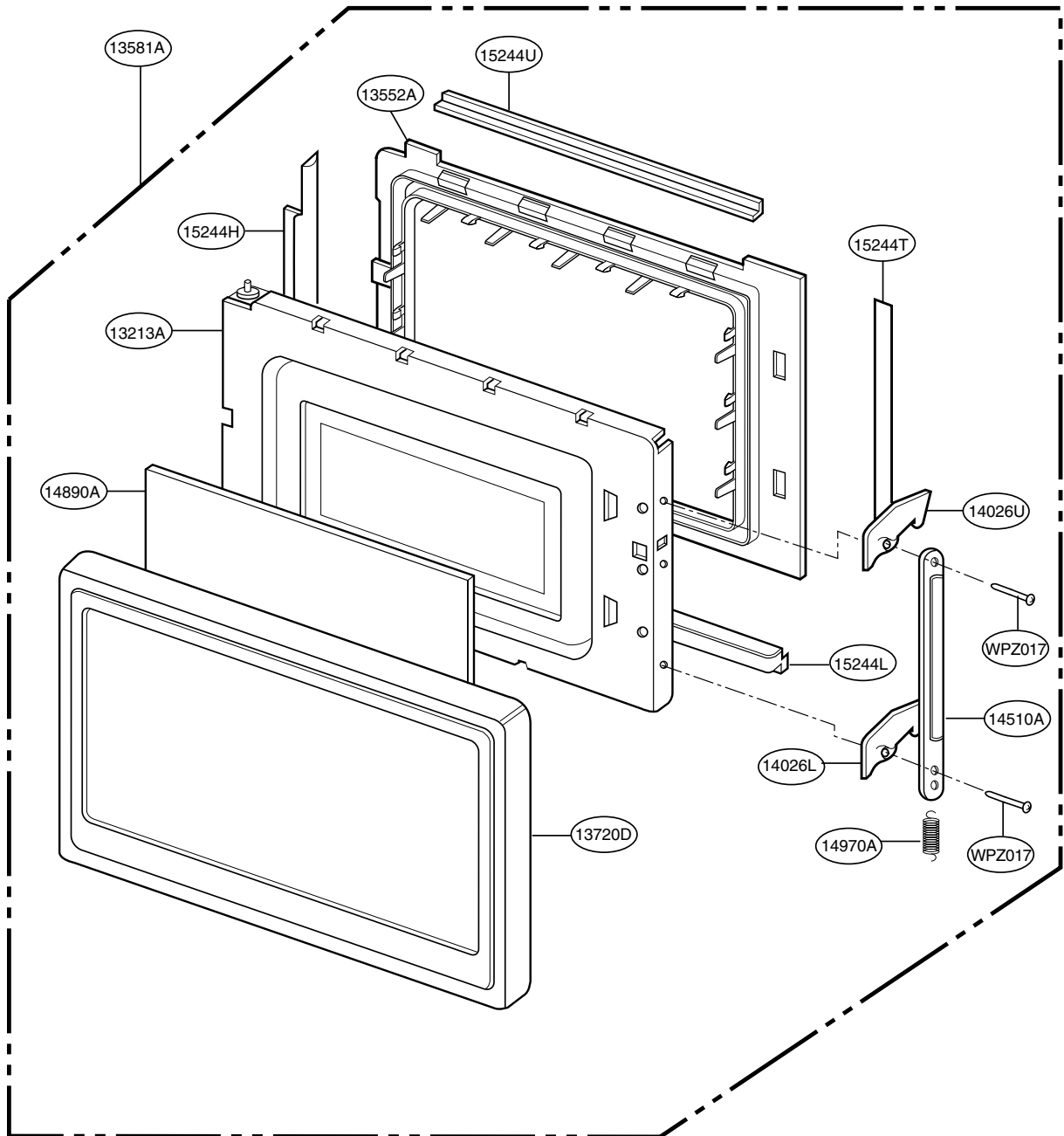
## INTRODUCTION

MODEL: 721.68361890  
721.68360790

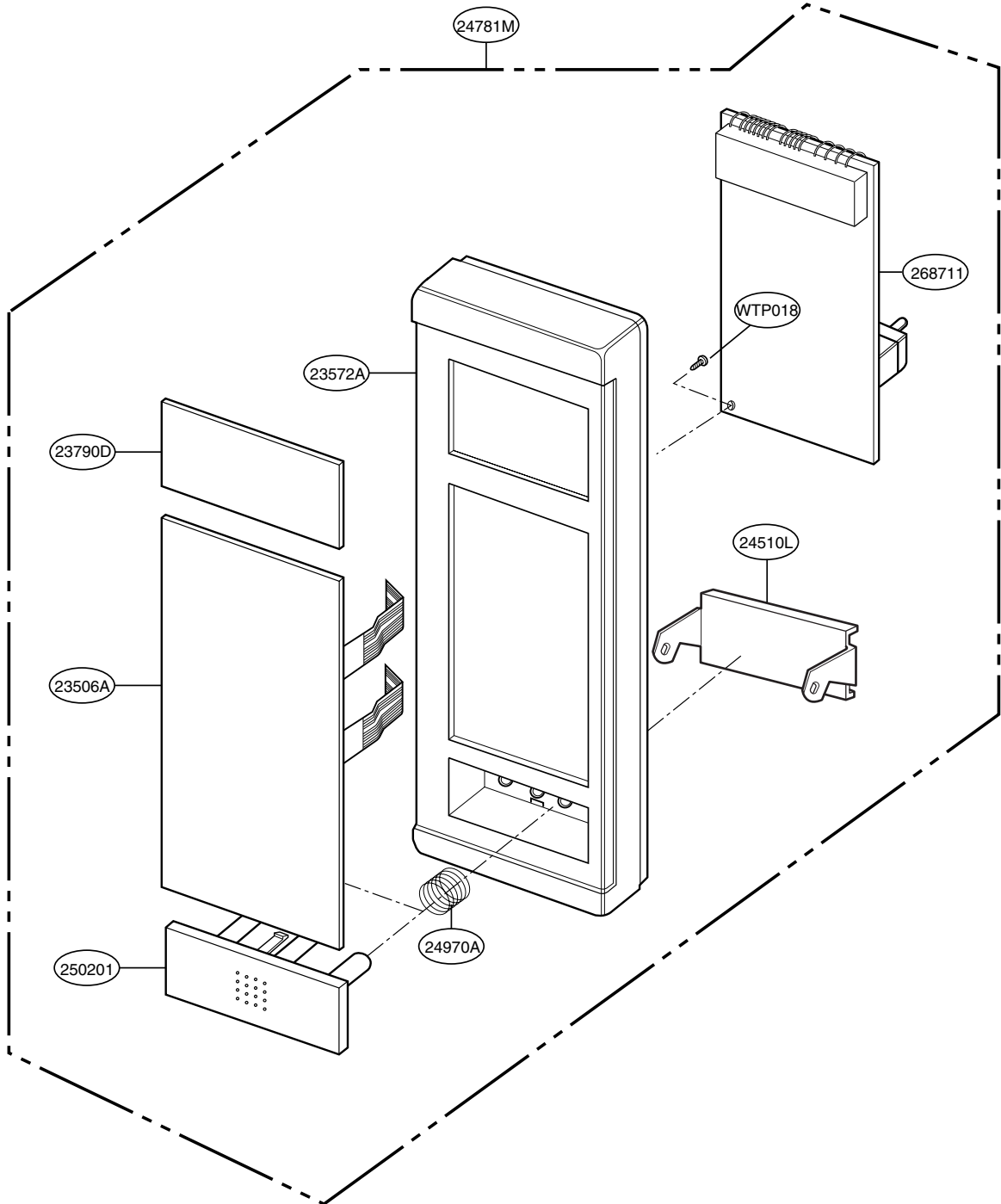


P/NO : 3828W5S0600

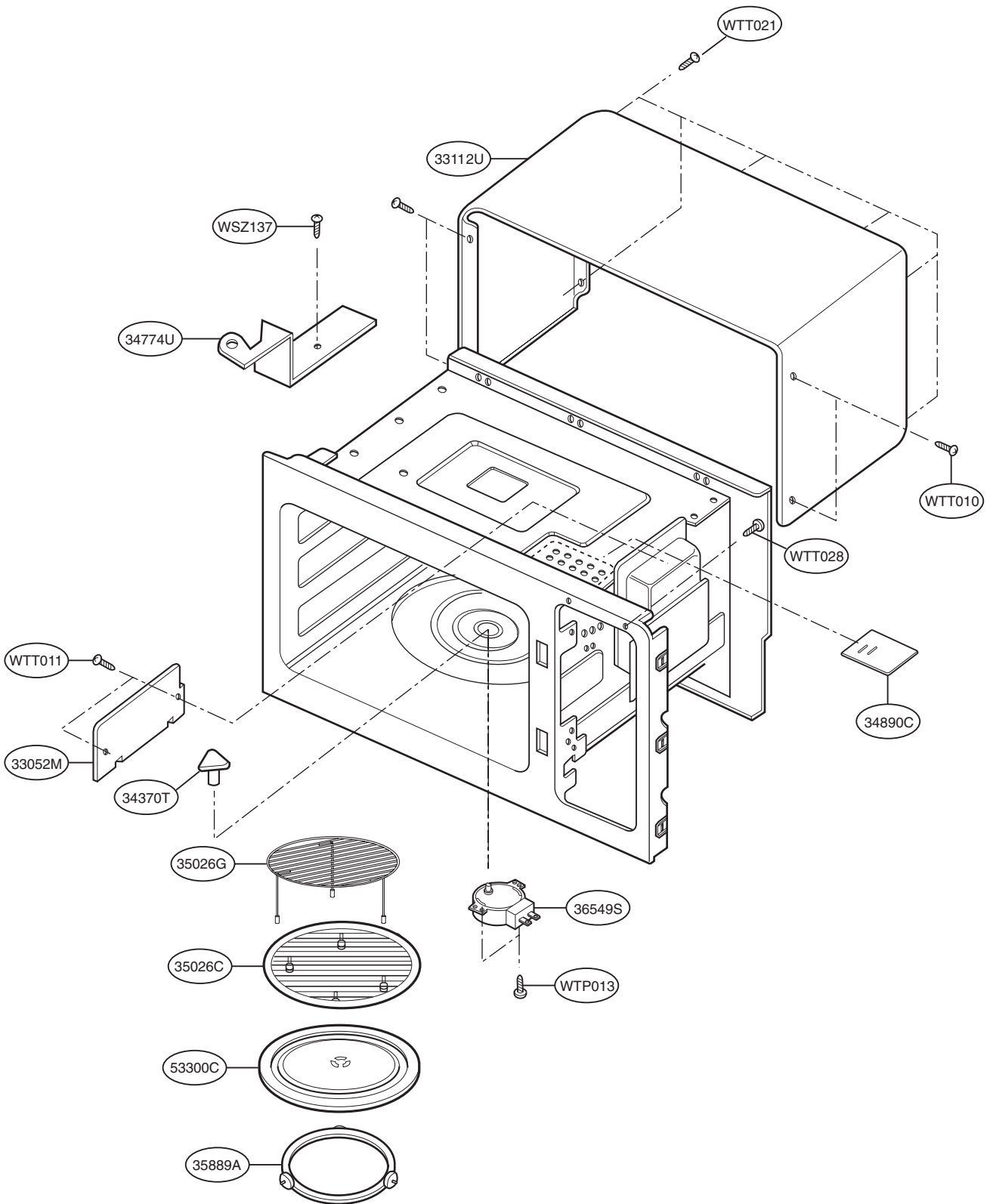
# 1. DOOR PARTS



## 2. CONTROL PANEL PARTS

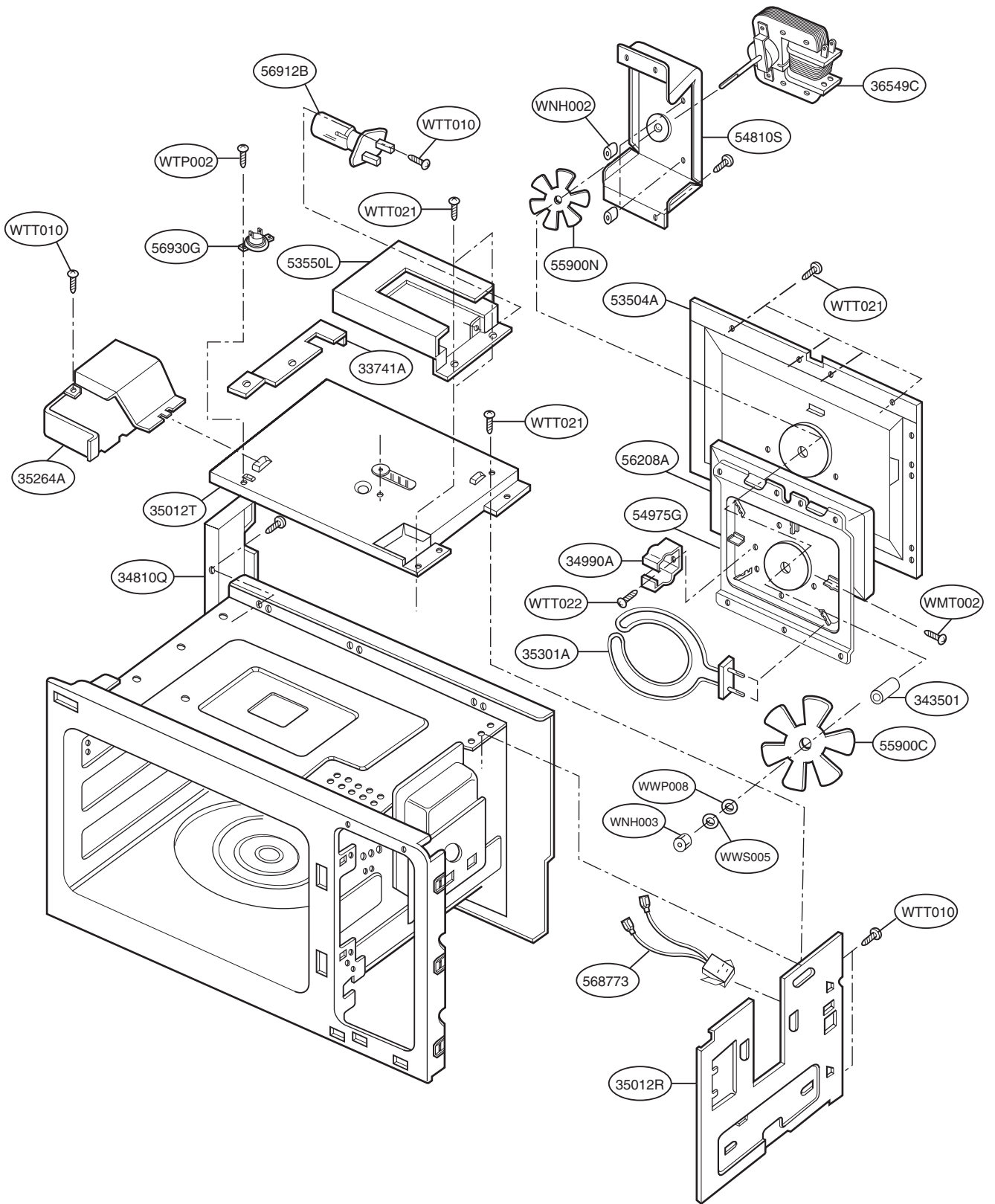


### 3. OVEN CAVITY PARTS

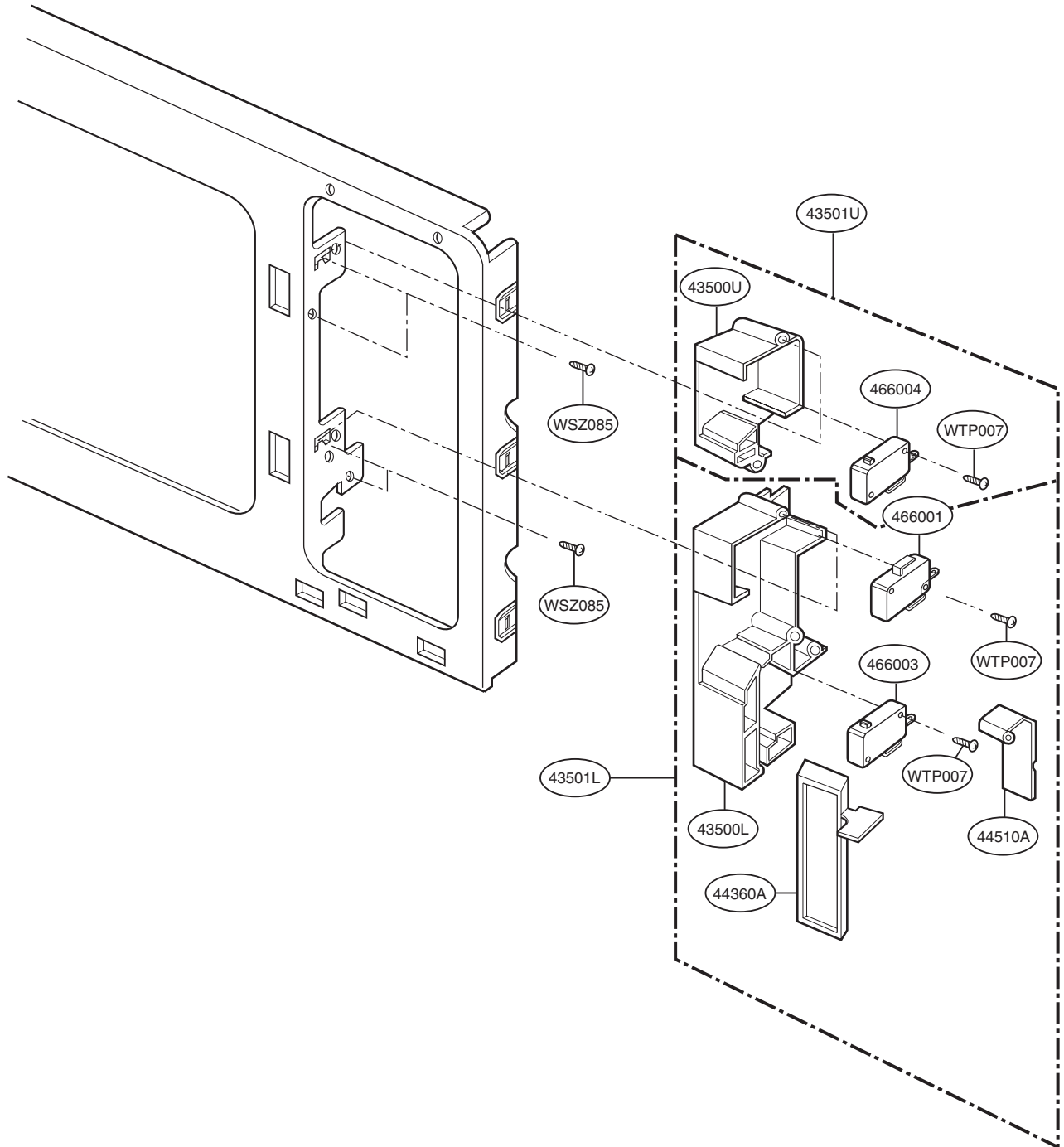




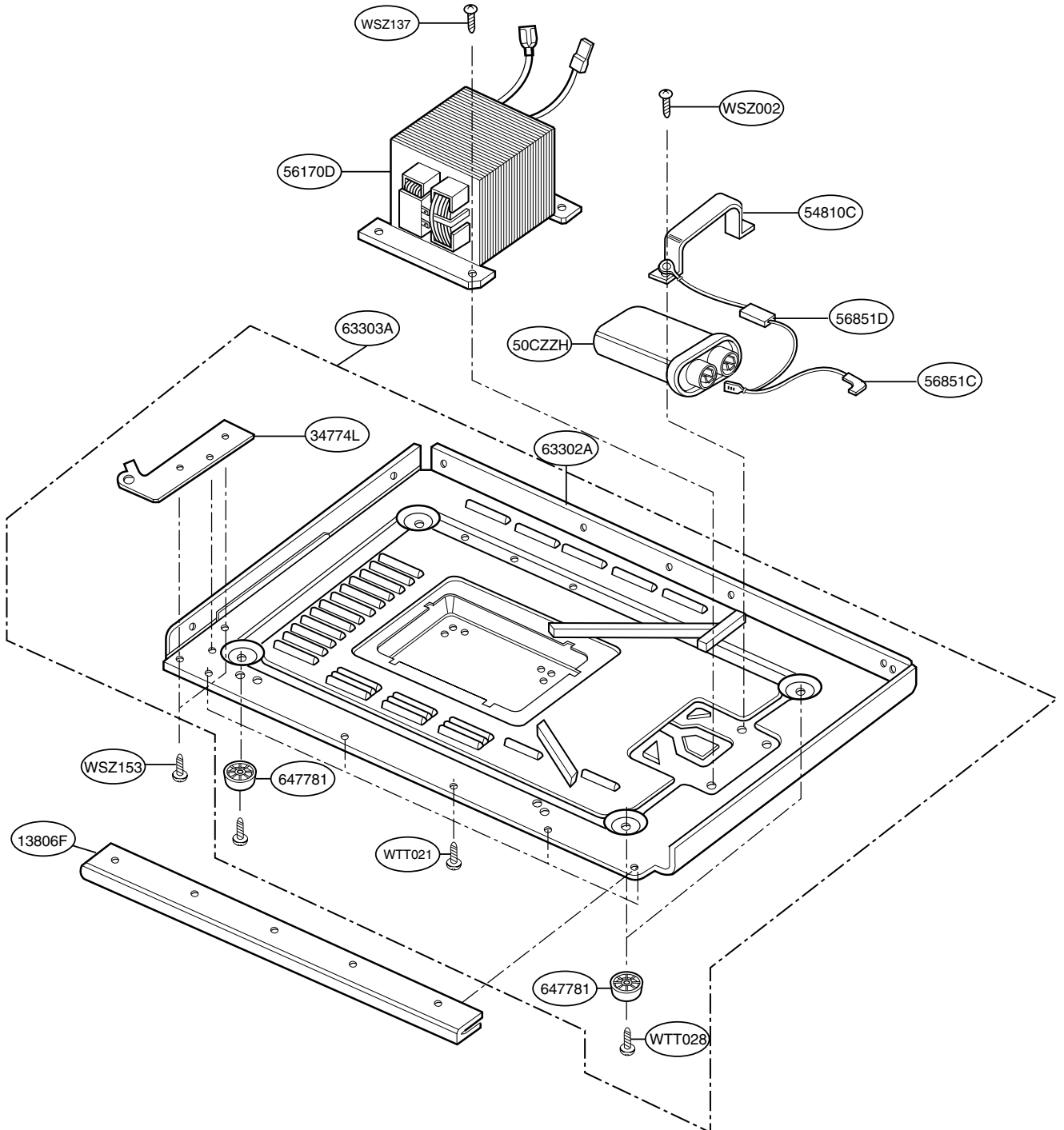
## 5. OVEN INTERIOR PARTS (2)



## 6. SWITCHES PARTS



## 7. BASE PLATE PARTS



---

## 8. WIRING HARNESS PARTS

