

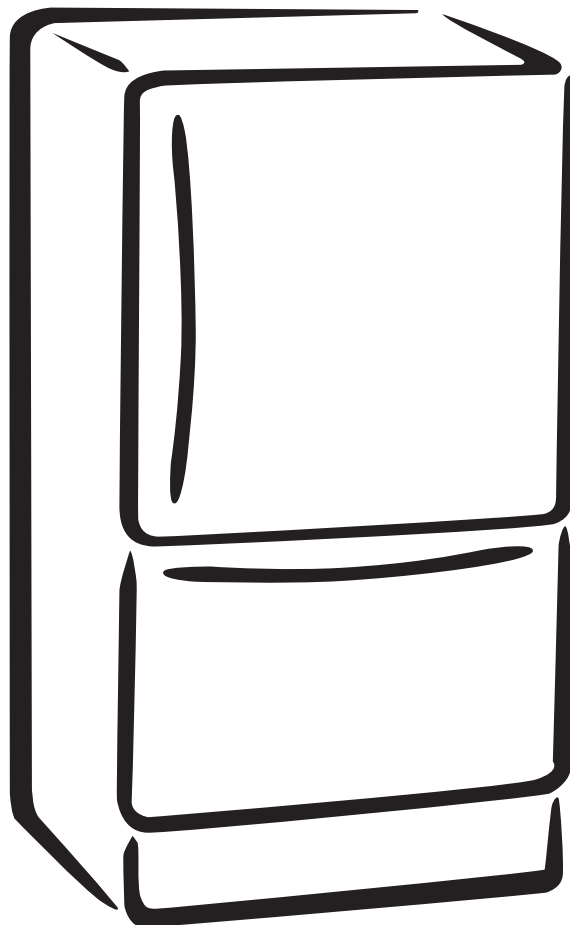


BOTTOM FREEZER REFRIGERATOR
Use & Care Guide

REFRIGERATOR SERVICE MANUAL

CAUTION

BEFORE SERVICING THE PRODUCT
READ THE SAFETY PRECAUTIONS IN THIS MANUAL.



MODELS:

795.76082.600
795.76084.600
795.76089.600
795.76092.600
795.76083.600
795.76093.600
795.76282.600
795.76824.600
795.76289.600
795.76292.600
795.76283.600
795.76293.600

CONTENTS

SAFETY PRECAUTIONS	2
1. SPECIFICATIONS	3
2. PARTS IDENTIFICATION	5
3. DISASSEMBLY	6
3.1 Door	6
3.2 Door switch	6
3.3 Fan and fan motor	7
3.4 Defrost control assembly	7
3.5 Lamp	7
3.6 Refrigerator control box	7
3.7 Multi duct	7
3.8 How to remove and reinstall the pullout drawer	8
3.9 Cover Valve	11
4. ADJUSTMENT	12
4.1 Compressor	12
4.2 PTC-Starter	12
4.3 OLP (overload protector)	13
4.4 To remove the cover PTC	13
5. CIRCUIT DIAGRAM	14
6. TROUBLESHOOTING	15
6.1 Compressor and electrical components	15
6.2 PTC and OLP	16
6.3 Other electrical components	17
6.4 Service diagnosis chart	18
6.5 Refrigeration cycle	19
7. ICEMAKER OPERATING PRINCIPLES AND REPAIR	21
7.1 Operation Principle	21
7.2 Ice maker functions	22
7.3 Defect diagnosis function	24
8. DESCRIPTION OF FUNCTION & CIRCUIT OF MICOM	25
8.1 Function	25
8.2 PCB function	29
8.3 Resistance specification of sensor	37
8.4 Troubleshooting	38
8.5 Main PWB assembly and parts list	40
8.6 PWB diagram	43
9. EXPLODED VIEW AND REPLACEMENT PART LIST	45

SAFETY PRECAUTIONS

Please read the following instructions before servicing your refrigerator

1. Check the refrigerator for current leakage.
2. To prevent electric shock, unplug before servicing.
3. Always check line voltage and amperage.
4. Use standard electrical components.
5. Don't touch metal products in the freezer with wet hands. This may cause frostbite.
6. Prevent water from spilling onto electric elements or the machine parts.
7. Before tilting the refrigerator, remove all materials from on or in the refrigerator.
8. When servicing the evaporator, wear gloves to prevent injuries from the sharp evaporator fins.
9. Service on the refrigerator should be performed by a qualified technician. Sealed system repair must be performed by a CFC certified technician.

1. SPECIFICATIONS

1-1 DISCONNECT POWER BEFORE SERVICING IMPORTANT RECONNECT ALL GROUNDING DEVICES.

All parts of this appliance capable of conducting electrical current are grounded. If grounding wires, screws, straps, clips, nuts or washers used to complete a path to ground are removed for service, they must be returned to their original position and properly fastened.

1-2 IMPORTANT NOTICE

This information is intended for use by individuals possessing adequate backgrounds of electrical, electronic and mechanical experience. Any attempt to repair a major appliance may result in personal injury and property damage. The manufacturer or seller cannot be responsible for the interpretation of this information, nor can it assume any liability in connection with its use.

1.3 ELECTRICAL SPECIFICATIONS

Temperature Control (Position: MID)	-6°F to +8°F
Defrost Control	Automatic
Defrost Thermostat	50°F
Electrical Rating : 115VAC, 60Hz.....	1- 5 A
Maximum Current Leakage	0.5mA
Maximum Ground Path Resistance	0.14 Ohms
Energy Consumption.....	20 cu.ft 482kWh/yr(Energy Star) 22 cu.ft 494kWh/yr(Energy Star)

1-4 NO LOAD PERFORMANCE

Control Position: MID/MID

Ambient of:	70°F	90°F
Fresh Food, °F.....	33°F to 41°F	33°F to 41°F
Frozen Food, °F.....	-4°F to +4°F	-4°F to +4°F
Percent Running Time.....	25%-35%	45%-60%

1-5 REFRIGERATION SYSTEM

Minimum Compressor Capacity Vacuum	21 in
Minimum Equalized Pressure	
@70°F.....	49PSIG
@90°F.....	56PSIG
Refrigerant R134a.....	4.2 α
Compressor	700 BTU/hr

1-6 INSTALLATION

Clearance must be provided at top, sides and rear of the refrigerator for air circulation.

AT TOP.....	1 in
AT SIDES.....	1/8 in
AT REAR.....	1 in

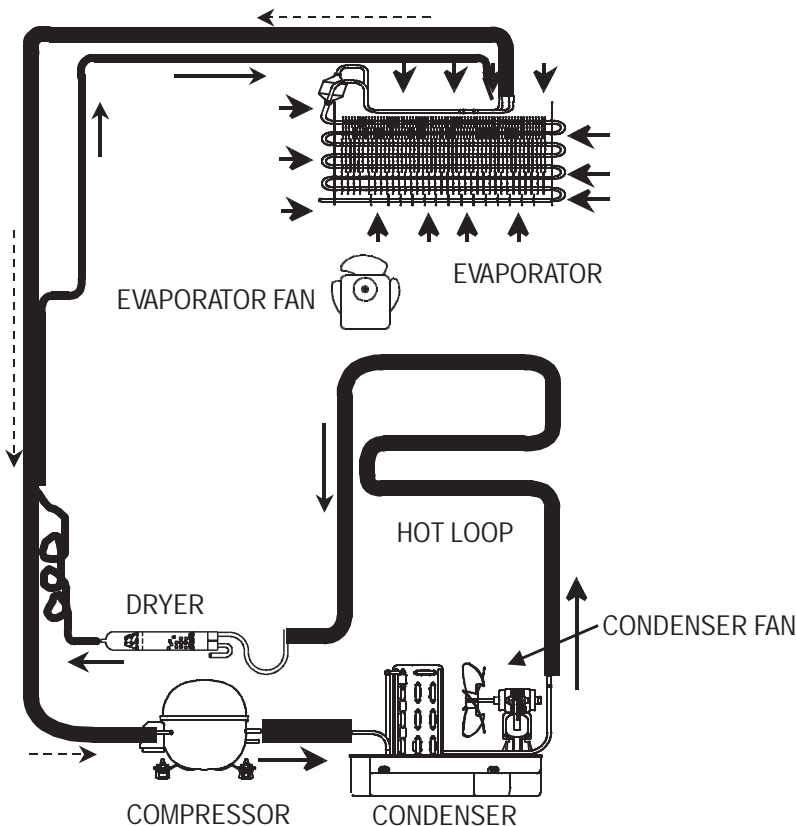
**PERFORMANCE DATA
(NORMAL OPERATING CONDITIONS)**

AMB	WATTS	SYSTEM PRESSURE (PSIG)	
		HIGH SIDE	LOW SIDE
70°F	98 (+10 / -10)	98 (+5 / -3)	(-5) to (-2)
90°F	98 (+10 / -10)	132 (+3 / -3)	(-4) to 1
110°F	103 (+5 / -5)	180 (+5 / -5)	(-2) to 3

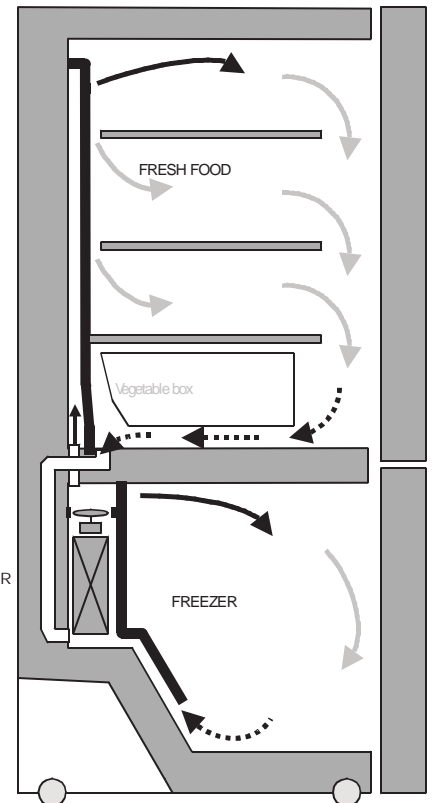
1-7 REPLACEMENT PARTS

- Relay 6748JJ8002A
- Overload..... 6750JJ8002A
- Defrost Thermostat 6615JB2005C
- Defrost Heater.....(20 cu.ft.) 5300JB1100D
(22 cu.ft.) 5300JB1100J
- Evaporator Fan Motor..... 4680JK1002B
- Capacitor..... 0CZZJB2003H
- Compressor (Hi-Side) 2521JJ8004A
- Evaporator (Lo-Side)..... 5421JJ1001B
- Condenser 5403JJ1007A
- Dryer..... 5851JJ2002B
- Condenser Fan Motor..... 4680JK1001B
- Temperature Control 6871JB2047A
- Main Control..... 6871JB1215A

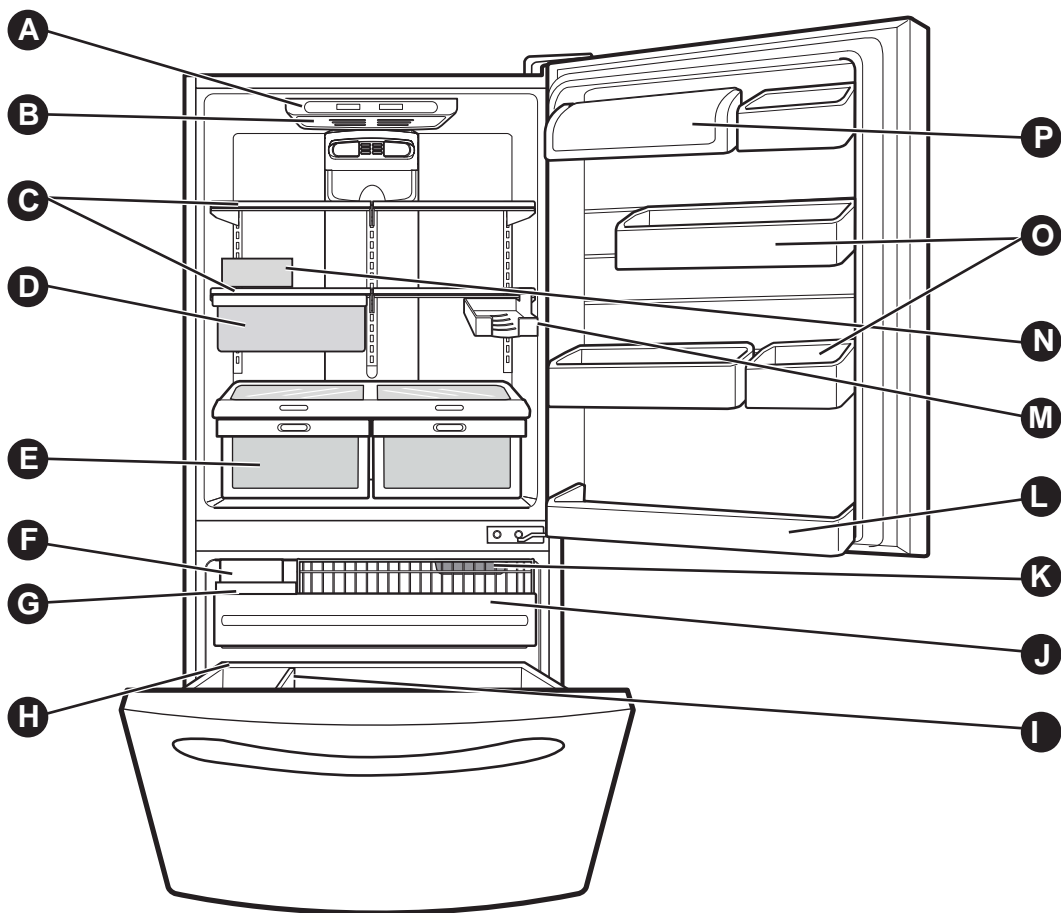
1-8 AIR FLOW / CIRCULATION D'AIR.



- COLD AIR
- MIXED AIR
- AIR RETURN TO EVAPORATOR



2. PARTS IDENTIFICATIONS



Use this section to become more familiar with the parts and features.

NOTE: This guide covers several different models. The refrigerator you have purchased may have some or all of the items listed below. The locations of the features shown below may not match your model.

- | | |
|---|----------------------------------|
| A Cool Sense Electronic Temperature Control System | J Glide-Out Drawer Basket |
| B Refrigerator Light | K Freezer Light |
| C Refrigerator Shelves | L Refrigerator Door Rack |
| D Snack Pan | M Wine Rack* |
| E Supra Fresh Crisper with Tilt-Out Compartment | N Egg Box |
| F Adjusta Cube Ice Maker | O Modular Door Bins |
| G Ice Bin | P Dairy Corner |
| H Durabase | |
| I Divider | |

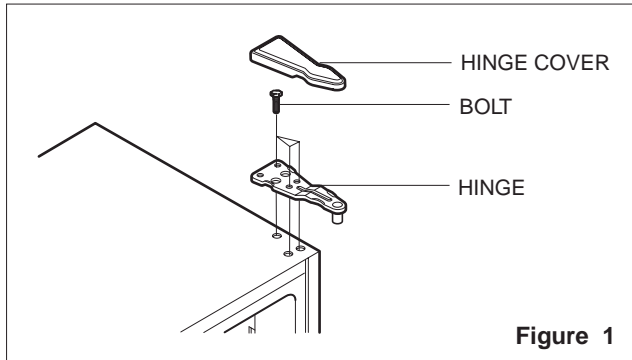
*On some models

3. DISASSEMBLY

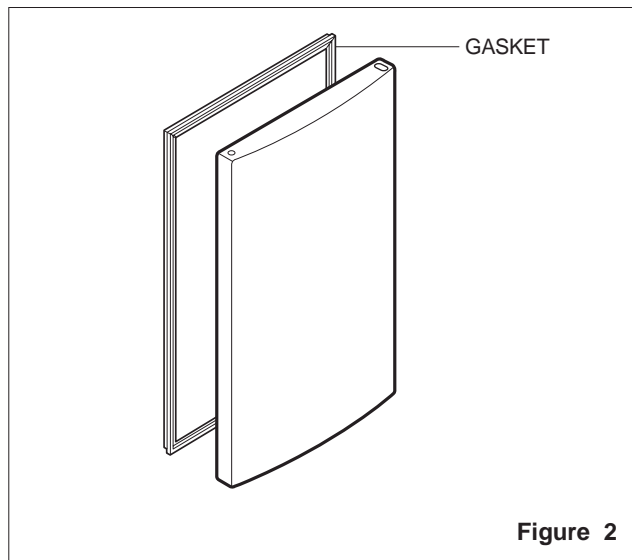
3-1 DOOR

Refrigerator Door

1. Remove the hinge cover by pulling it upwards.
2. Loosen the hexagonal bolts attaching the upper hinge to the body and lift the freezer door.

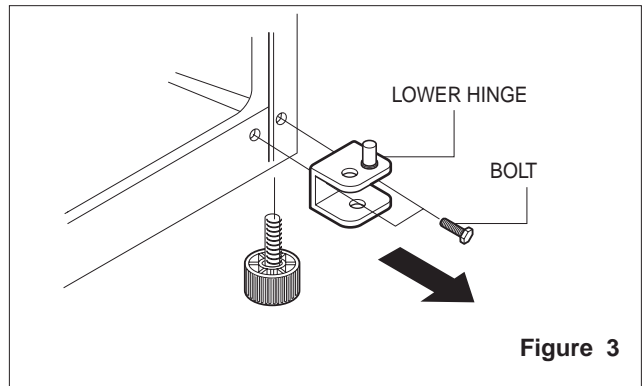


3. Pull out the door gasket to remove from the door foam assembly.



Freezer Door

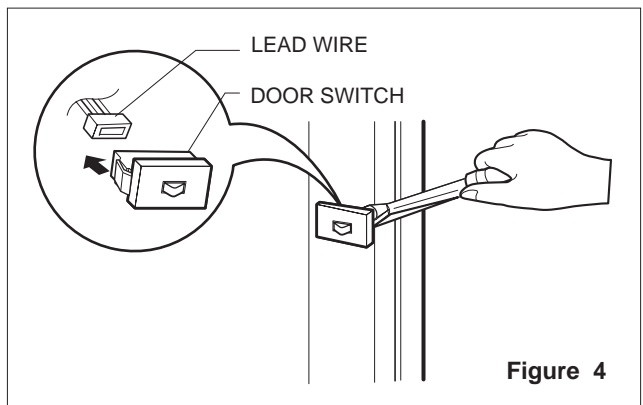
1. Loosen the hexagonal bolts attaching the lower hinge to the body to remove the refrigerator door only.



2. Pull out the door gasket to remove from the door foam assembly.

3-2 DOOR SWITCH

1. To remove the door switch, pry it out with a slotted-type driver, as shown in (Figure 4).
2. Disconnect the lead wire from the switch.



3-3 FAN AND FAN MOTOR

1. Remove the freezer shelf. (If your refrigerator has an icemaker, remove the icemaker first)
2. Remove the grille by pulling it out and by loosening a screw.
3. Remove the Fan Motor assembly by loosening 2 screws and disassemble the shroud.
4. Pull out the fan and separate the Fan Motor and Bracket.
5. Pull out the fan and separate the Fan Motor and Bracket.

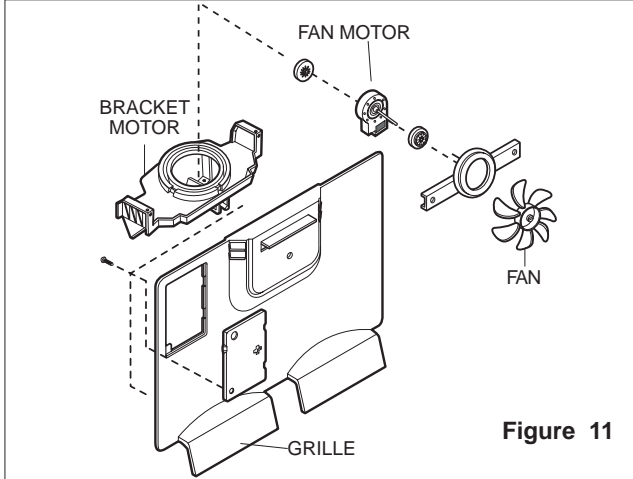


Figure 11

3-4 DEFROST CONTROL ASSEMBLY

Defrost Control assembly consists of Defrost Sensor and FUSE-M.

The Defrost Sensor works to defrost automatically. It is attached to the metal side of the Evaporator and senses its Temperature.

Fuse-M is a safety device for preventing over-heating of the Heater when defrosting.

At 72°C, it turns the Defrost Heater off.

1. Pull out the grille assembly (Figure 6)
2. Separate the connector with the Defrost Control assembly and replace the Defrost Control assembly after cutting the Tie Wrap. (Figure 7)

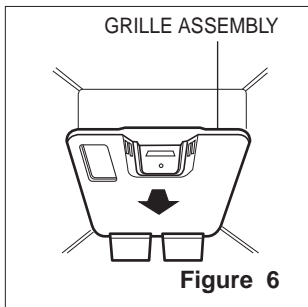


Figure 6

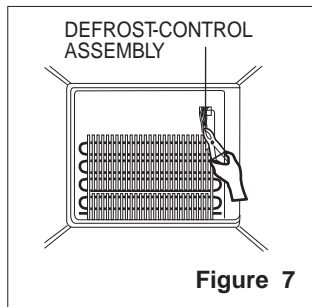


Figure 7

3-5 LAMP

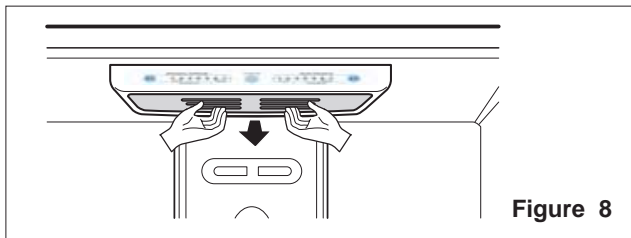


Figure 8

3-5-1 Refrigerator Compartment Lamp

1. Unplug the power cord from the outlet.
2. Remove refrigerator shelves.
3. Release the hooks on both ends of the lamp shield and pull the shield downward to remove it.
4. Turn the lamp counterclockwise.
5. Assemble in reverse order of disassembly. Replacement bulb must be the same specification as the original (Max. 60 W-2EA).

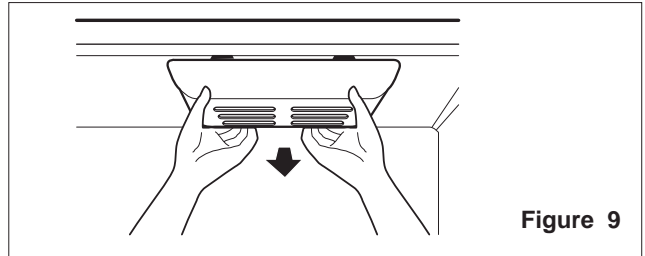


Figure 9

3-5-2 Freezer Compartment Lamp

1. Unplug refrigerator or disconnect power.
2. Reach behind light shield to remove bulb.
3. Replace bulb with a 60-watt appliance bulb.
4. Plug in refrigerator or reconnect power.

3-6 CONTROL BOX-REFRIGERATOR

1. First, remove all shelves in the refrigerator, then remove the Refrigerator control Box by loosening 2 screws.

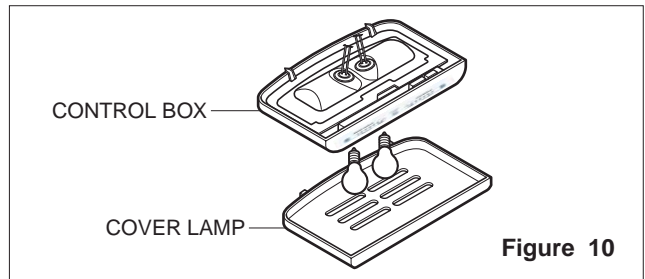


Figure 10

2. Remove the Refrigerator Control Box by pulling it downward.
3. Disconnect the lead wire on the right position and separate the lamp sockets.

3-7 MULTI DUCT

1. Remove an upper and lower Cap by using a flat screwdriver, and loosen 3 screws. (Figure 11)
2. Disconnect the lead wire on the bottom position.

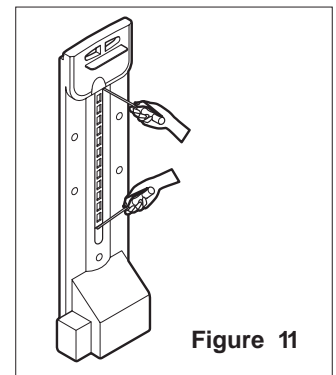


Figure 11

3-8 HOW TO REMOVE AND REINSTALL THE PULLOUT DRAWER

3-8-1 FOLLOW STEPS TO REMOVE

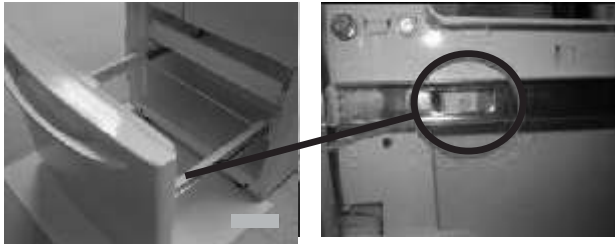
Step 1) Open the freezer door.



Step 2) Remove the lower basket.



Step 3) Remove the two screws from the guide rails (one from each side).



Step 4) Lift the freezer door up to unhook it from the rail support and remove. Pull both rails to full extension.

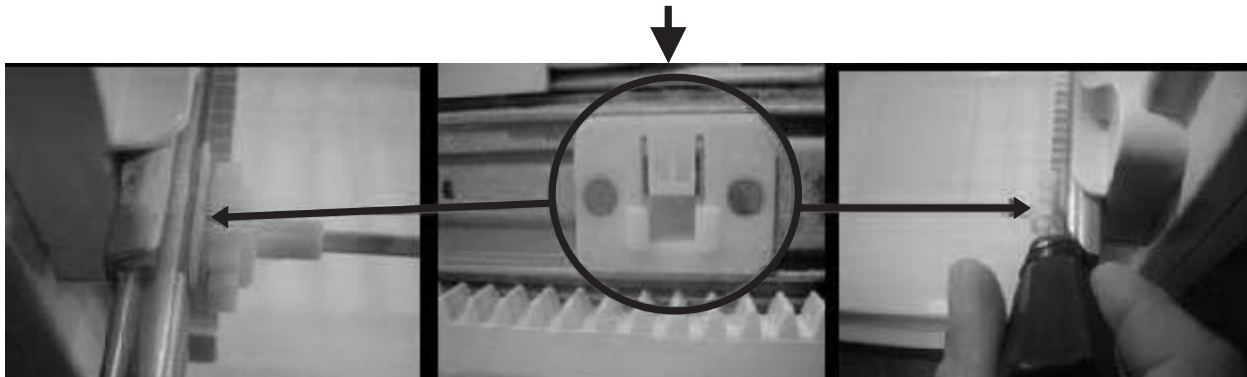


Step 5) First: Remove the gear from the left side first by releasing the tab behind the gear, place a screwdriver between the gear and the tab and pull up on the gear.

Second: Remove the center rail.

Third: Remove the gear from the right side by following the same steps for the left side.

NOTE: THIS TAB MUST BE PUSHED IN TO RELEASE THE GEAR.



3-8-2 FOLLOW STEPS TO REINSTALL

Step 1) Reinstall the right side gear into the clip.



Step 2) Insert the rail into the right side gear. Gears do **not** need to be perpendicular to each other.



Step 3) Insert the rail into the left side gear, and insert the gear into the clip.



Step 4) The rail system will align itself by pushing the rails all the way into the freezer section. Pull the rails back out to full extension.



Step 5) Reinstall the freezer door by inserting the rail tabs into the guide rail.



Step 6) Reinstall the two screws into the guide rails (one from each side).

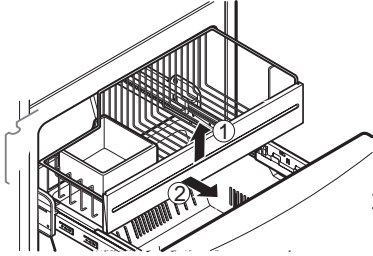


Step 7) Reinstall the lower basket, and close the freezer door.

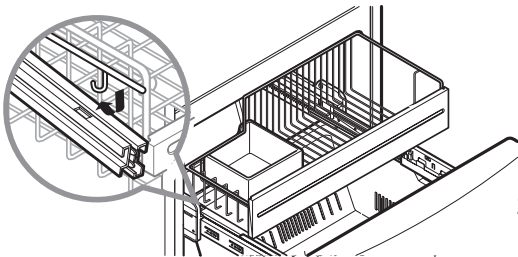
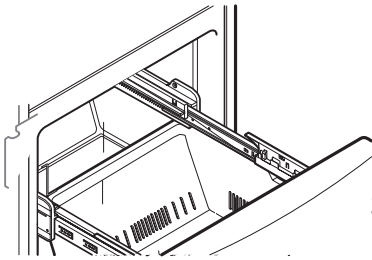


3.8.3 GLIDE -OUT DRAWER BASKET

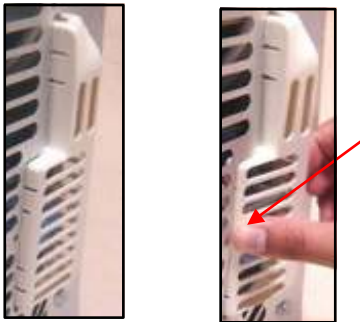
1. To remove, lift basket up and pull out straight out.



2. To install, pull both rails out to full extension.
Hook the basket supports into the rail tabs and push to the back of compartment.



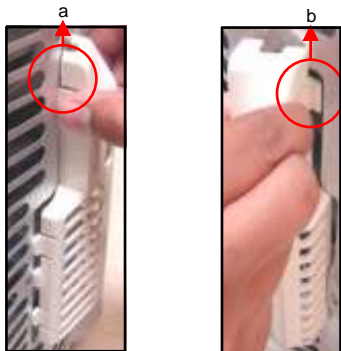
3-9 Cover Valve
- Disassemble



1. Push to inside the cover valve.



2. Push to the right and release.

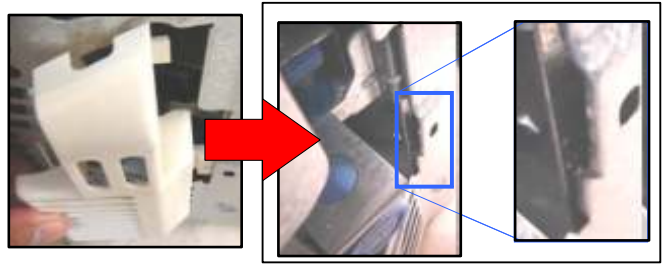


3. Release hook a & b

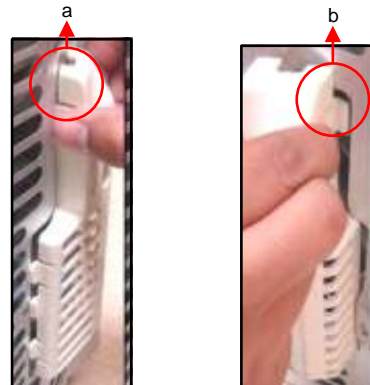


4. Turn the cover valve 120° as shown in the picture, then release it.

- Assemble



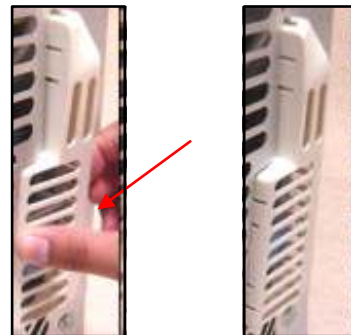
1. Insert the cover valve as shown in the picture, push to insert (may need force).



2. Insert hook a & b



3. Push to the right to insert the cover valve.



4. Then push to inside to assembly.

4. ADJUSTMENT

4-1 COMPRESSOR

4-1-1 Role

The compressor intakes low temperature and low pressure gas from the evaporator of the refrigerator and compresses this gas to high-temperature and high-pressure gas. It then delivers the gas to the condenser.

4-1-2 Composition

The compressor includes overload protection. The PTC starter and OLP (overload protector) are attached to the outside of the compressor. Since the compressor is manufactured to tolerances of 1 micron and is hermetically sealed in a dust and moisture-free environment, use extreme caution when repairing it.

4-1-3 Note for Usage

- (1) Be careful not to allow over-voltage and over-current.
- (2) If compressor is dropped or handled carelessly poor operation and noise may result.
- (3) Use proper electric components appropriate to the Particular Compressor in your product.
- (4) Keep Compressor dry.
If the Compressor gets wet (in the rain or a damp environment) and rust forms in the pin of the Hermetic Terminal, poor operation and contact may result.
- (5) When replacing the Compressor, be careful that dust, humidity, and soldering flux don't contaminate the inside of the compressor. Dust, humidity, and solder flux contaminate the cylinder and may cause noise, improper operation or even cause it to lock up.

4-2 PTC-STARTER

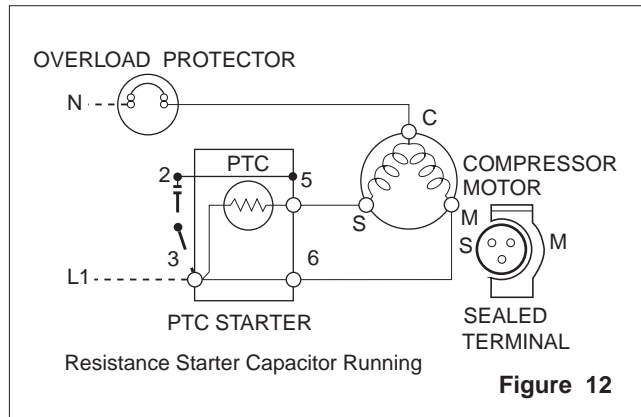
4-2-1 Composition of PTC-Starter

- (1) PTC (Positive Temperature Coefficient) is a no-contact semiconductor starting device which uses ceramic material consisting of $BaTiO_3$.
- (2) The higher the temperature is, the higher the resistance value. These features are used as a starting device for the Motor.

4-2-2 Role of PTC-Starter

- (1) The PTC is attached to the Sealed Compressor and is used for starting the Motor.
- (2) The compressor is a single-phase induction motor. During the starting operation, the PTC allows current flow to both the start winding and main winding.

4-2-3 PTC-Applied Circuit Diagram Starting Method for the Motor



4-2-4 Motor Restarting and PTC Cooling

- (1) It requires approximately 5 minutes for the pressure to equalize before the compressor can restart.
- (2) The PTC device generates heat during operation. Therefore, it must be allowed to cool before the compressor can restart.

4-2-5 Relation of PTC-Starter and OLP

- (1) If the compressor attempts to restart before the PTC device is cooled, the PTC device will allow current to flow only to the main winding.
- (2) The OLP will open because of the over current condition. This same process will continue (3 to 5 times) when the compressor attempts to restart until the PTC device has cooled. The correct OLP must be properly attached to prevent damage to the compressor.
Parts may appear physically identical but could have different electrical ratings. Replace parts by part number and model number. Using an incorrect part could result in damage to the product, fire, injury, or possibly death.

4-2-6 Note for Using the PTC-Starter

- (1) Be careful not to allow over-voltage and over-current.
- (2) Do not drop or handle carelessly.
- (3) Keep away from any liquid.
If liquid such as oil or water enters the PTC, PTC materials may fail due to breakdown of their insulating capabilities.
- (4) If the exterior of the PTC is damaged, the resistance value may be altered. This can cause damage to the compressor and result in a no-start or hard-to-start condition.
- (5) Always use the PTC designed for the compressor and make sure it is properly attached to the compressor. Parts may appear physically identical but could have different electrical ratings. Replace parts by part number and model number. Using an incorrect part could result in damage to the product, fire, injury, or possibly death.

4-3 OLP (OVERLOAD PROTECTOR)

4-3-1 Definition of OLP

- (1) OLP (OVERLOAD PROTECTOR) is attached to the Compressor and protects the Motor by opening the circuit to the Motor if the temperature rises and activating the bimetal spring in the OLP
- (2) When high current flows to the Compressor motor, the Bimetal works by heating the heater inside the OLP and the OLP protects the Motor by cutting off the current flowing to the Compressor Motor.

4-3-2 Role of the OLP

- (1) The OLP is attached to the Sealed Compressor used for the Refrigerator. It prevents the Motor Coil from being started in the Compressor.
- (2) For normal operation of the OLP do not turn the Adjust Screw of the OLP in any way.

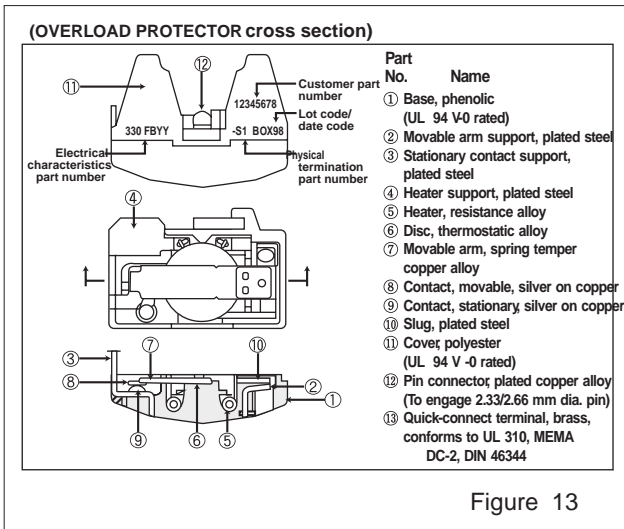
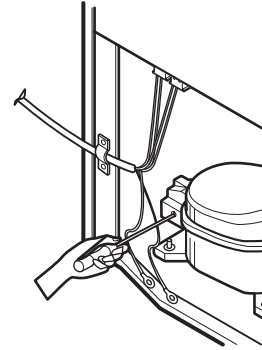
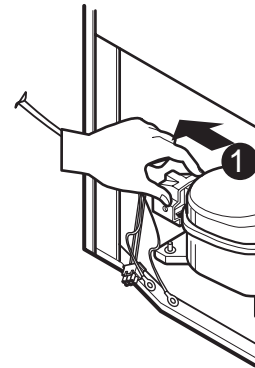


Figure 13

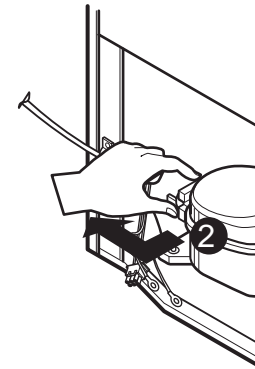
4-4 TO REMOVE THE COVER PTC



- 1) Remove the Cover Back M/C.
- (2) Remove the screw on Cover PTC.



- (3) Remove two Housings on upper part of Cover PTC.
- (4) Take out the cover PTC from upper to lower position like (1).



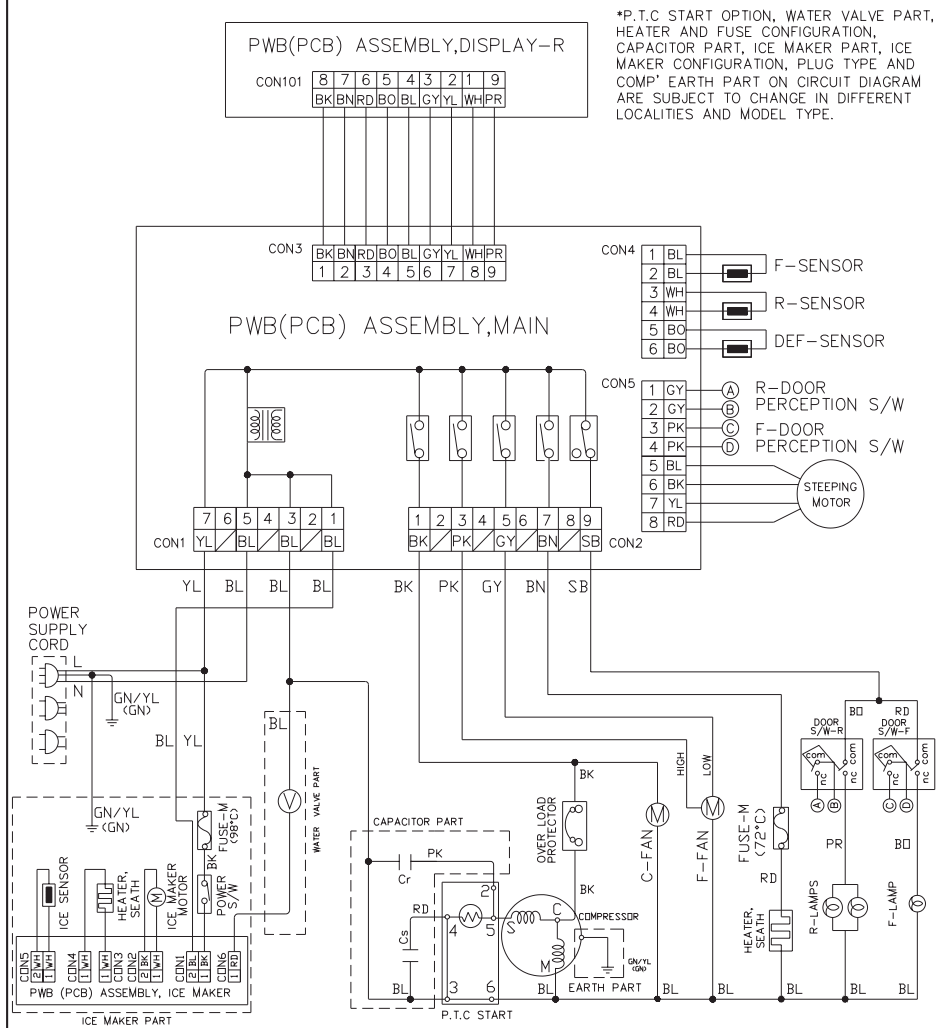
- (5) Turn 45° in the direction of (2) and take it out.
- (6) Assembly in reverse order of disassembly

5. CIRCUIT DIAGRAM

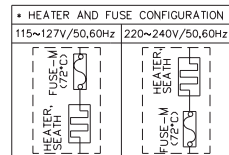
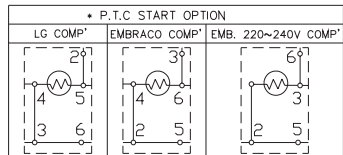
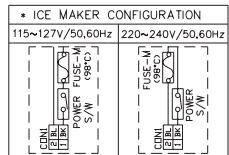
Good / Better



DIAGRAMA ELECTRICO - CIRCUIT DIAGRAM



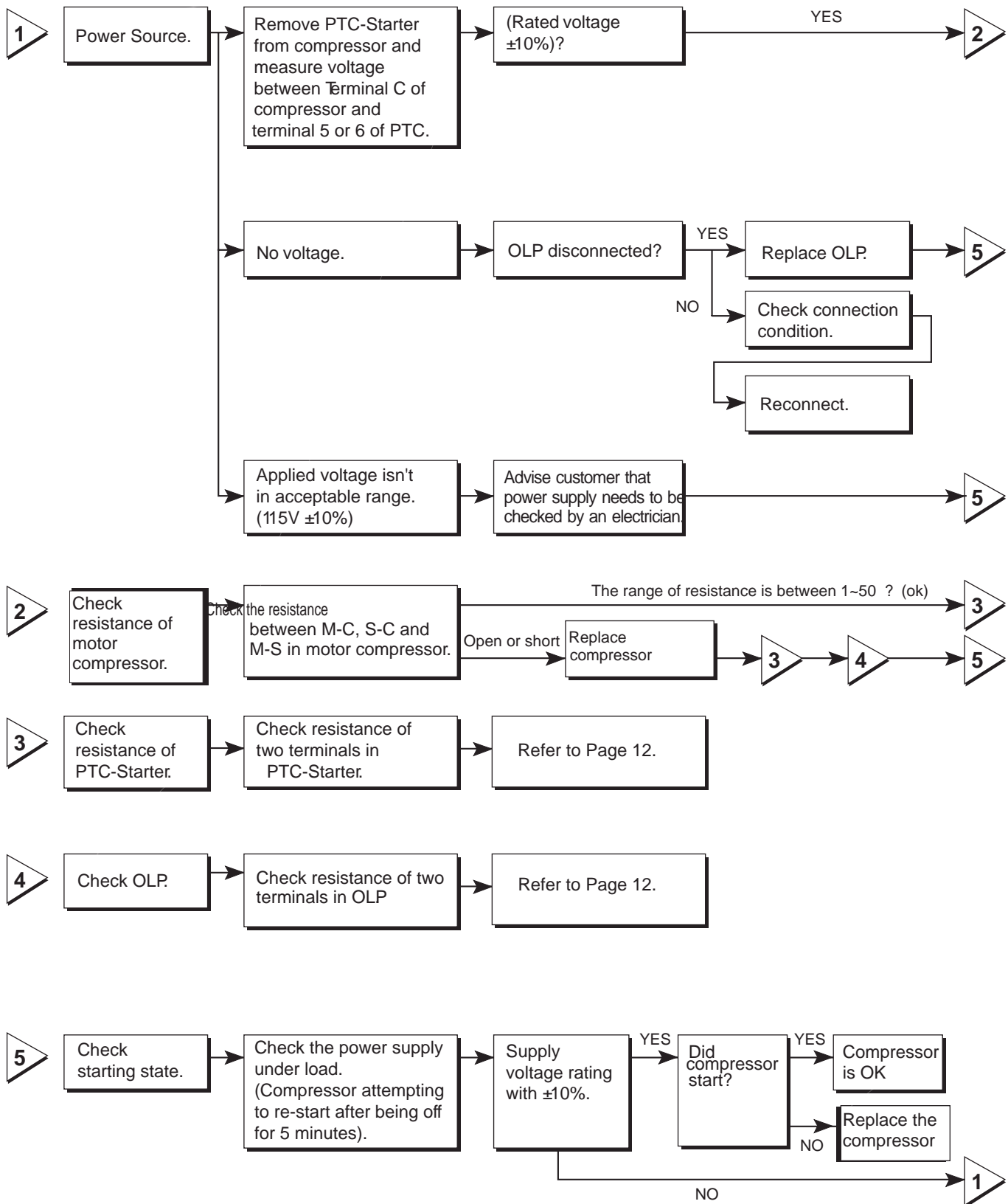
*P.T.C START OPTION, WATER VALVE PART, HEATER AND FUSE CONFIGURATION, CAPACITOR PART, ICE MAKER PART, ICE MAKER CONFIGURATION, PLUG TYPE AND COMP' EARTH PART ON CIRCUIT DIAGRAM ARE SUBJECT TO CHANGE IN DIFFERENT LOCALITIES AND MODEL TYPE.



BK: NEGRO/BLACK	BN: CAFE/BROWN	RD: ROJO/RED	BO: NARANJA/BRIGHT ORANGE
YL: AMARILLO/YELLOW	GN: VERDE/GREEN	BL: AZUL/BLUE	PR: VIOLETA/PURPLE
WH: BLANCO/WHITE	SB: AZUL CIELO/SKY BLUE	PK: ROSA/PINK	GY: GRIS/GRAY

6. TROUBLESHOOTING

6-1 COMPRESSOR AND ELECTRIC COMPONENTS



6-2 PTC AND OLP

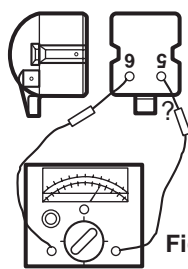
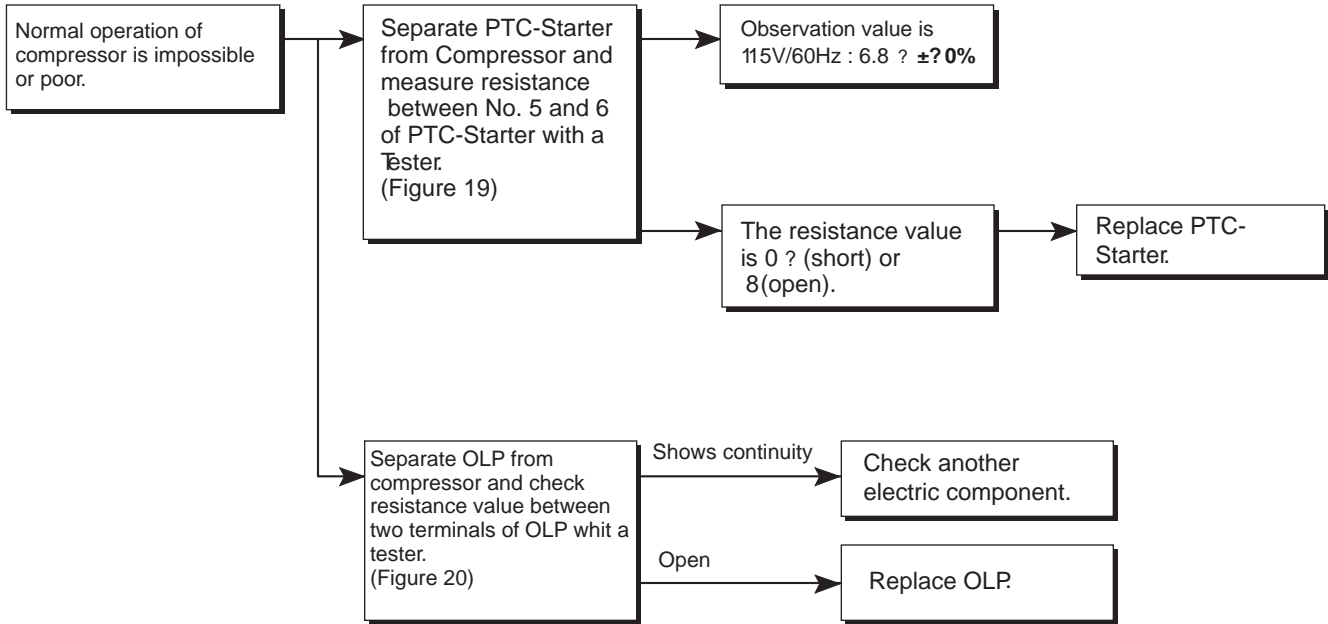


Figure 19

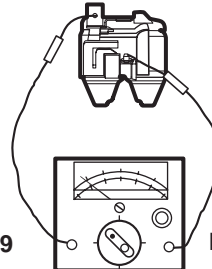
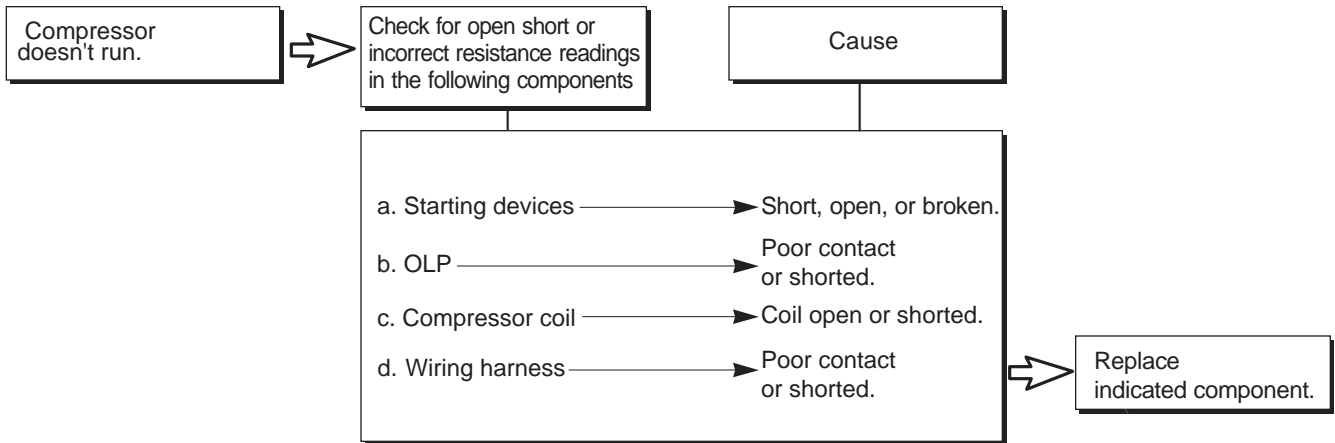


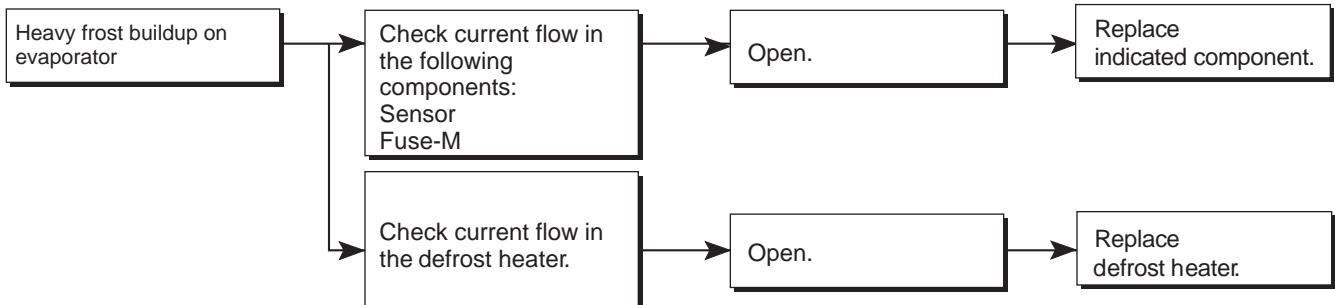
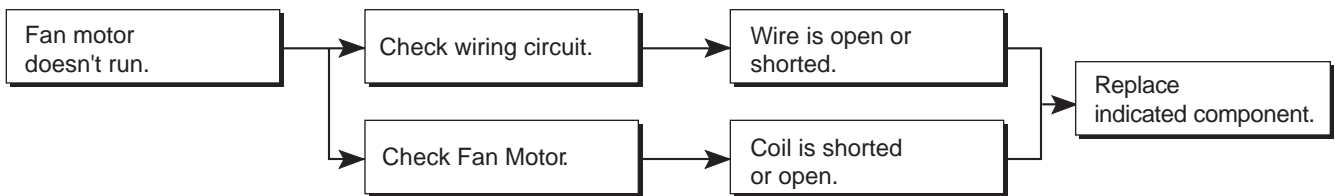
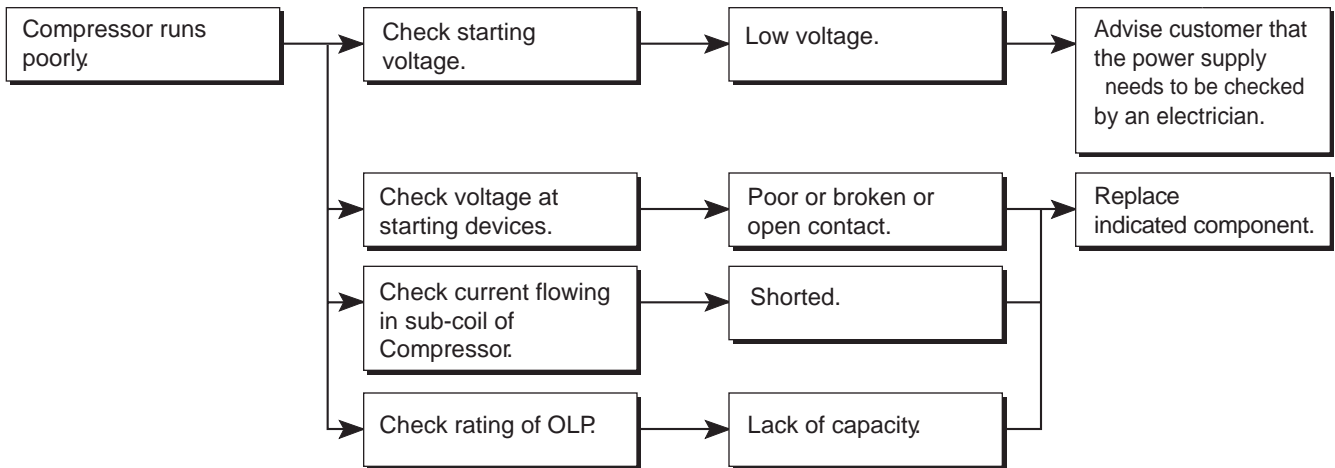
Figure 20

6-3 OTHER ELECTRICAL COMPONENTS

Not cooling at all



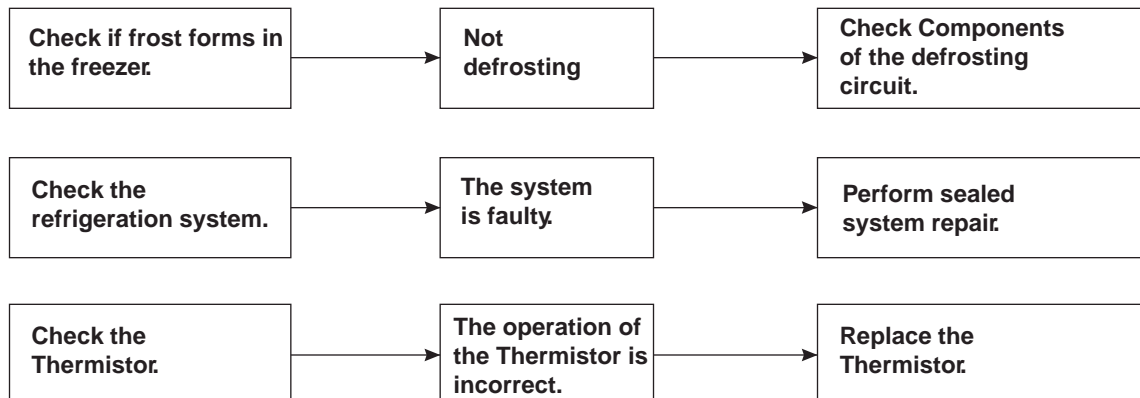
Poor cooling performance



6-4 SERVICE DIAGNOSIS CHART

COMPLAINT	POINTS TO BE CHECKED	REMEDY
No Cooling.	<ul style="list-style-type: none"> Is the power cord unplugged from the outlet? Check if the power switch is set to OFF Check if the fuse of the power switch is shorted. Measure the voltage of the power outlet. 	<ul style="list-style-type: none"> Plug into the outlet. Set the switch to ON. Replace the fuse. If the voltage is low, correct the wiring.
Cools poorly.	<ul style="list-style-type: none"> Check if the unit is placed too close to the wall. Check if the unit is placed too close to the stove, gas cooker, or in direct sunlight. Is the ambient temperature too high or the room door closed? Check if food put in the refrigerator is hot. Did you open the door of the unit too often or check if the door is sealed properly? Check if the Control is set to warm position . 	<ul style="list-style-type: none"> Place the unit about 4 inches (10 cm) from the wall. Place the unit away from these heat sources. Lower the ambient temperature. Put in foods after they have cooled down. Don't open the door too often and close it firmly Set the control to recommended position .
Foods in the Refrigerator are frozen.	<ul style="list-style-type: none"> Is food placed in the cooling air outlet? Check if the control is set to colder position . Is the ambient temperature below 41°F(5° C)? 	<ul style="list-style-type: none"> Place foods in the high-temperature section. (front part) Set the control to recommended position . Set the control to warm position .
Condensation or ice forms inside the unit.	<ul style="list-style-type: none"> Is liquid food sealed? Check if food put in the refrigerator is hot. Did you open the door of the unit too often or check if the door is sealed properly? 	<ul style="list-style-type: none"> Seal liquid foods with wrap. Put in foods after they have cooled down. Don't open the door too often and close it firmly
Condensation forms in the Exterior Case.	<ul style="list-style-type: none"> Check if the ambient temperature and humidity of the surrounding air are high. Is there a gap in the door gasket? 	<ul style="list-style-type: none"> Wipe moisture with a dry cloth. It will disappear in low temperature and humidity. Fill up the gap.
There is abnormal noise.	<ul style="list-style-type: none"> Is the unit positioned in a firm and even place? Are any unnecessary objects placed in the back side of the unit? Check if the Tray Drip is not firmly fixed. Check if the cover of the compressor enclosure in the front lower side is taken out. 	<ul style="list-style-type: none"> Adjust the Leveling Screw, and position the refrigerator in a firm place. Remove the objects. Fix the Tray Drip firmly in the original position. Place the cover in its original position.
Door does not close well.	<ul style="list-style-type: none"> Check if the door gasket is dirty with an item like juice. Is the refrigerator level? Is there too much food in the refrigerator? 	<ul style="list-style-type: none"> Clean the door gasket. Position in the firm place and level the Leveling Screw. Make sure food stored in shelves does not prevent the door from closing.
Ice and foods smell unpleasant.	<ul style="list-style-type: none"> Check if the inside of the unit is dirty. Are foods with a strong odor unwrapped? The unit smells of plastic. 	<ul style="list-style-type: none"> Clean the inside of the unit. Wrap foods that have a strong odor. New products smell of plastic, but this will go away after 1-2 weeks.

Other possible problems:

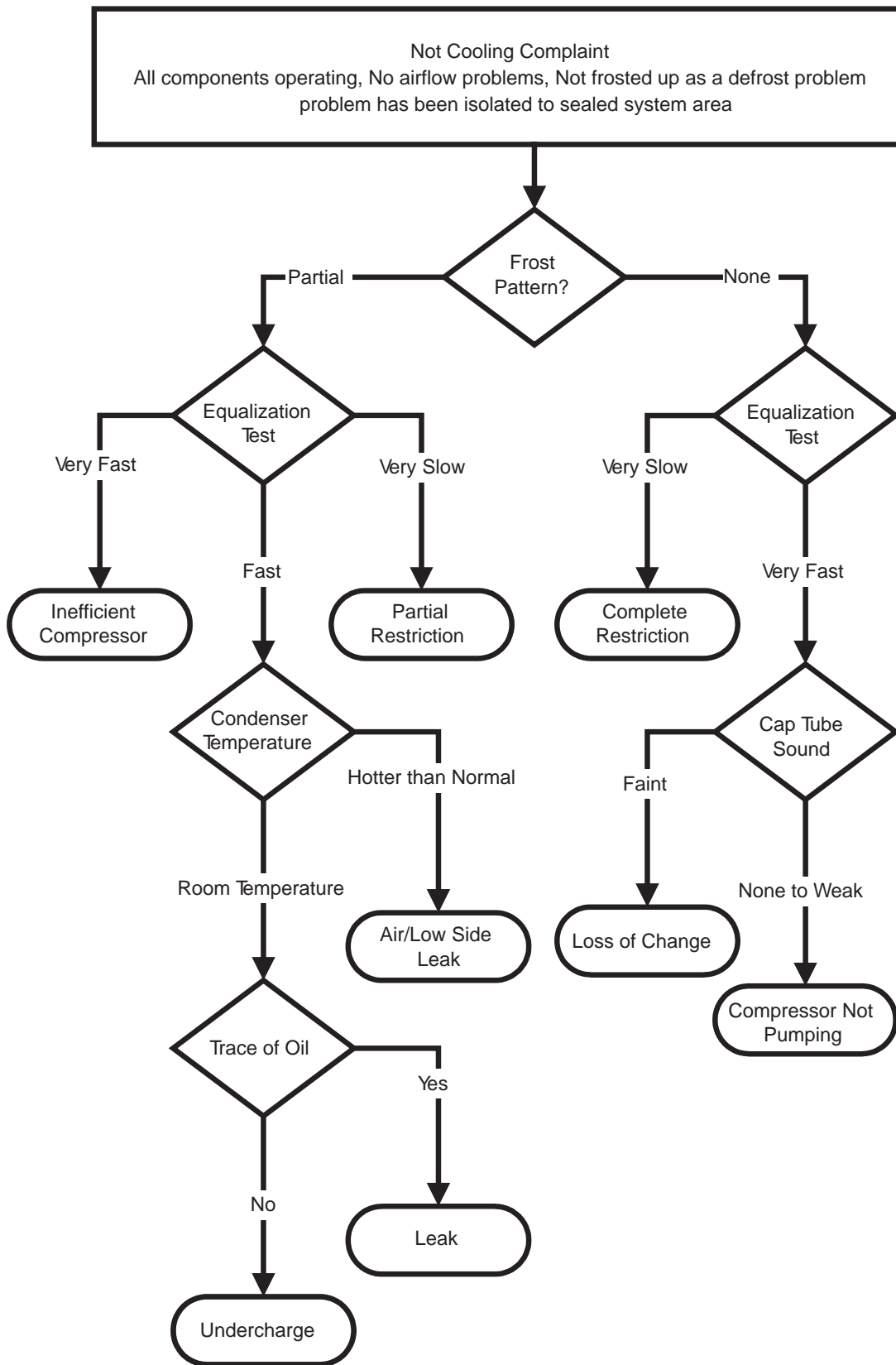


6-5 REFRIGERATION CYCLE

* Troubleshooting Chart

CAUSE		STATE OF THE UNIT	STATE OF THE EVAPORATOR	TEMPERATURE OF THE COMPRESSOR	REMARKS
LEAKAGE	PARTIAL LEAKAGE	Freezer compartment and refrigerator don't cool normally	Low flowing sound of refrigerant is heard and frost forms in inlet only.	A little higher than ambient temperature.	- Refrigerant level is low due to a leak. - Normal cooling is possible by restoring the normal amount of refrigerant and repairing the leak.
	COMPLETE LEAKAGE	Freezer compartment and refrigerator don't cool normally	Flowing sound of refrigerant is not heard and frost isn't formed.	Equal to ambient temperature.	- No discharging of refrigerant. - Normal cooling is possible by restoring the normal amount of refrigerant and repairing the leak.
CLOGGED BY DUST	PARTIAL CLOG	Freezer compartment and refrigerator don't cool normally	Flowing sound of refrigerant is heard and frost forms in inlet only.	A little higher than ambient temperature.	- Normal discharging of the refrigerant. - The capillary tube is faulty.
	WHOLE CLOG	Freezer compartment and refrigerator don't cool.	Flowing sound of refrigerant is not heard and frost isn't formed.	Equal to ambient temperature.	- Normal discharging of the refrigerant.
MOISTURE CLOG		Cooling operation stops periodically.	Flowing sound of refrigerant is not heard and frost melts.	Lower than ambient temperature.	- Cooling operation restarts when heating the inlet of the capillary tube.
DEFECTIVE COMPRESSION	COMPRESSION	Freezer and refrigerator don't cool.	Low flowing sound of refrigerant is heard and frost forms in inlet only.	A little higher than ambient temperature.	- Low pressure at high side of compressor due to low refrigerant level.
	NO COMPRESSION	No compressing operation.	Flowing sound of refrigerant is not heard and there is no frost.	Equal to ambient temperature	- No pressure in the high pressure Part of the compressor.

6-5-1 SEALED SYSTEM DIAGNOSIS

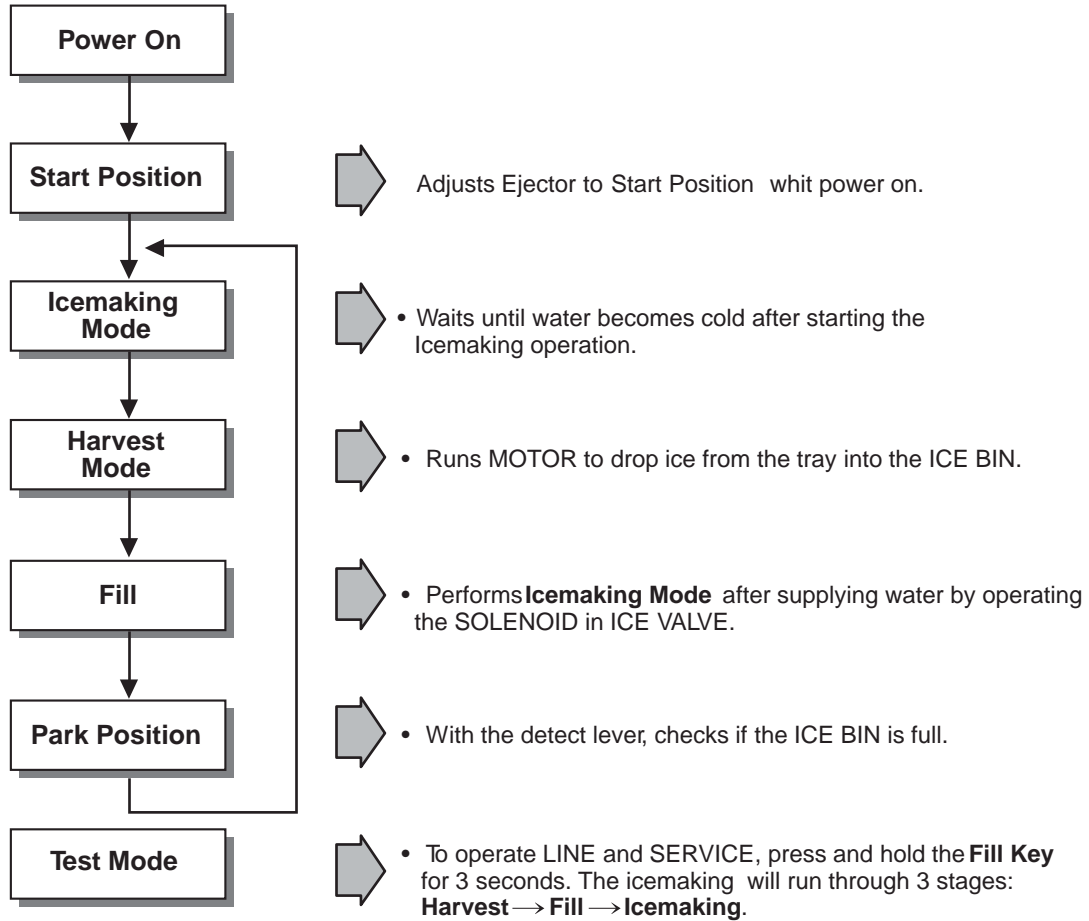


(The equalization test is trying to restart a compressor after it has been operating.)

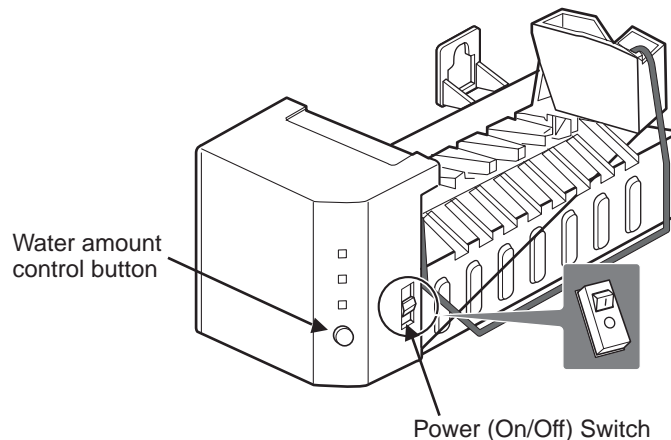
7. OPERATION PRINCIPLE AND REPAIR METHOD OF ICEMAKER

7-1 OPERATION PRINCIPLE

7-1-1 Operation Principle of Icemaker



1. Turning the Icemaker stop switch off (O) stops the icemaking function.
2. Setting the Icemaker switch to OFF and then turning it back on will reset the icemaker control.



7-2 ICEMAKER FUNCTIONS

7-2-1 Start Position

1. After POWER OFF or Power Outage, check the EJECTOR's position with MICOM initialization to restart.
2. How to check if it is in place:
 - Check **HIGH/LOW** signals from HALL SENSOR in MICOM PIN.
3. Control Method to check if it is in place:
 - (1) EJECTOR is in place,
 - It is an initialized control, so the mode can be changed to icemaking control.
 - (2) EJECTOR isn't in place:
 - A. If EJECTOR is back in place within 2 minutes with the motor on, it is being initialized. If not, go to Step B.
 - B. If EJECTOR is back in place within 18 minutes after the heater turns from ON to OFF, it is being initialized. If not, it is not functioning. Repeat Step B with Heater and Motor off.

7-2-2 Icemaking Mode

1. Icemaking refers to the freezing of supplied water in the ice trays. Complete freezing is assured by measuring the temperature of the Tray with Icemaking SENSOR.
2. Icemaking starts after completion of the water fill operation.
3. The Icemaking function is completed when the sensor reaches -7°C , 60 to 240 minutes after starting.
4. If the temperature sensor is defective, the ice-making function will be completed in 4 hours.

NOTE : After icemaker power is ON, the icemaker heater will be on for test for 9 seconds.

7-2-3 Harvest Mode

1. Harvest (Ice removing) refers to the operation of dropping cubes into the ice bin from the tray when icemaking has Completed.
2. Harvest mode:
 - (1) The heater is ON for 30 seconds, then the motor starts.
 - (2) After performing Step 1 (the heater is turned OFF), the ejector will be back in place within 18 minutes. (Hall sensor sign = 0V). Ice removal is then complete. Then the icemaker cycles to the fill mode. The water supply fails to start, it is not functioning. Put the heater and motor in the off position. Restart every 2 hours. (Refer to figure1)

NOTE : If the motor malfunctions and starts before the detect lever rises, MICOM regards the Ice-Removing phase as completed. Water then starts flowing. To prevent this, MICOM doesn't switch to water-supply mode, but restarts the ice-removing mode. If this happens 3 times, the motor is malfunctioning and you should stop the loads (heater, motor). Then restart the Ice-Removing mode every 2 hours. (See Step 2 above.)

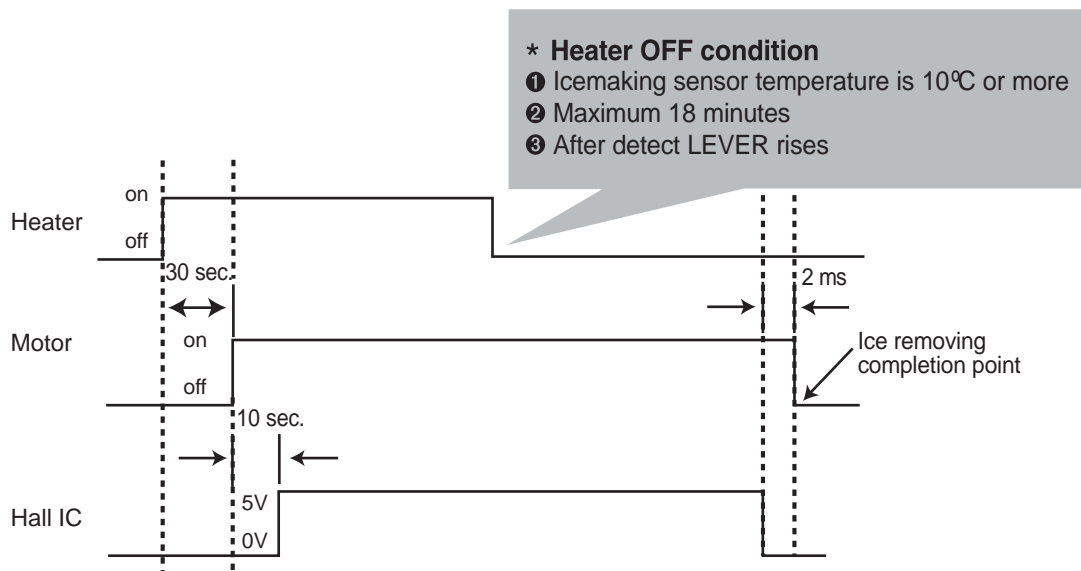
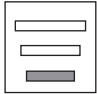




Figure1. Harvest mode Process

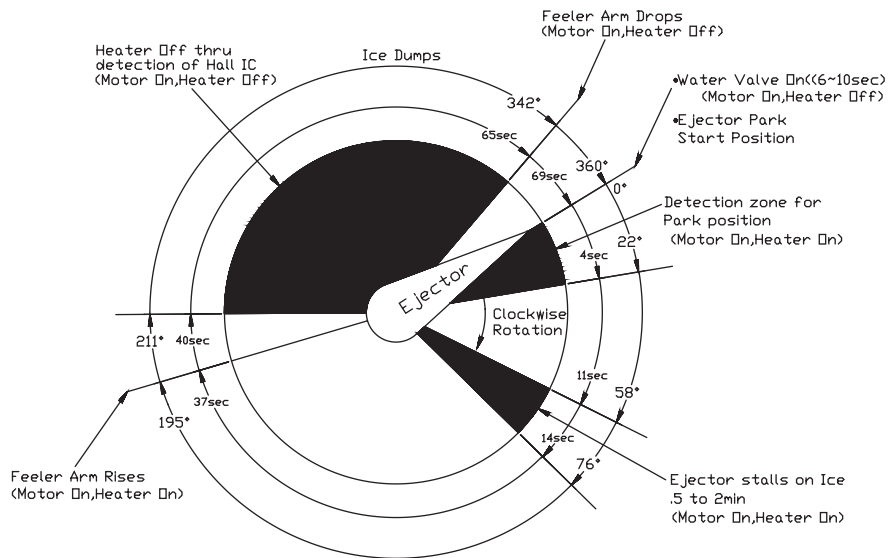
7-2-4 Fill/Park Position

1. Once a normal harvest mode has been completed, the water solenoid will be activated.
2. The amount of water is adjusted by pressing the Fill Key repeatedly. This changes the time allowed for fill as illustrated in the table below.

Water supply amount TABLE

STAGE	TIME TO SUPPLY	INDICATIONS	REMARKS
1	6 sec.		The water amount will vary depending on the water control switch setting, as well as the water pressure of the connected water line.
2	7 sec.		
3	8 sec.		






NOTE : Below is an example used by another vendor as an explanation of what is taking place.



7-2-5 Function TEST

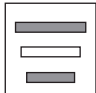

1. This is a compulsory operation for test, service, cleaning, etc. It is operated by pressing and holding the fill key for 3 seconds.
2. The test works only in the Icemaking Mode. It cannot be entered from the Harvest or Fill mode. (If there is an ERROR, it can only be checked in the TEST mode.)
3. **Caution!** If the test is performed before water in the icemaker is frozen, the ejector will pass through the water. When the fill mode begins (Stage 4), unless the water supply has been shut off, added water will overflow into the ice bin. If the control Doesn't operate normally in the TEST mode, check and repair as needed.
4. After water is supplied, the normal CYCLE is followed: **icemaking** ⇒ **Harvest** ⇒ **Fill** ⇒ **Park Position**.
5. Five seconds after Stage 5 is completed, the icemaker returns to MICOM control. The time needed to supply water resets to the pre- test setting.

Diagnosis TABLE

STAGE	ITEMS	INDICATOR	REMARKS
1	HEATER		Five seconds after heater starts, heater will go off if temperature recorded by sensor is 10°C or lever is in up position.
2	MOTOR		Five seconds after heater starts, you can confirm that motor is moving.
3	HALL IC (TRAY)		You can confirm Hall IC detection of position.
4	SOLENOID VALVE		Two seconds after detection of initial position, you can confirm that valve is on.
5	HALL IC (LEVER)		You can check when the Hall IC is sensing a full ice condition. (If there is a water fill error, the fifth LED is not on.)
6	Reset	Return to Status prior to TEST MODE	Five seconds after fifth stage is completed, the icemaker resets to initial status.

7-3 DEFECT DIAGNOSIS FUNCTION

7-3-1 ERROR CODES shown on Ice Maker water supply control panel

NO	DIVISION	INDICATOR	CONTENTS	REMARKS
1	Normal	Mark time to supply	None	Display switch operates properly
2	Icemaking Sensor malfunction		Open or short-circuited wire	Make sure that the wire on each sensor is connected.
3	Icemaker Kit malfunction		When ejector blades don't reach park position over 18 minutes after harvest mode starts.	Check HALL IC/MOTOR/ HEATER/RELAY

ERROR indicators in table can be checked only in TEST mode.

8. DESCRIPTION OF FUNCTION & CIRCUIT OF MICOM

8-1 FUNCTION

8-1-1 Function

1. When the appliance is plugged in, it is set to "4" for Refrigerator and "4" for freezer.
You can adjust the Refrigerator and the Freezer control temperature by pressing the ADJUST button.
2. When the power is initially applied or restored after a power failure, it is automatically set to "4" & "4".



8-1-2 Control of freezer fan motor

1. Freezer fan motor has high and standard RPMs.
2. High RPM is used when electricity is first on, for ULTRA ICE, and when refrigerator is overloaded.
But standard RPM is used for general purposes.
3. To improve cooling speed and load corresponding speed, the RPM of freezer fan motor shall change from normal speed to high speed.
4. High speed (2500RPM) : Initial power on or load corresponding operation, ULTRA ICE.
Normal speed (2200 RPM): general working conditions.
5. Fan motor stops when refrigerator or freezer door opens.

8-1-3 ULTRA ICE

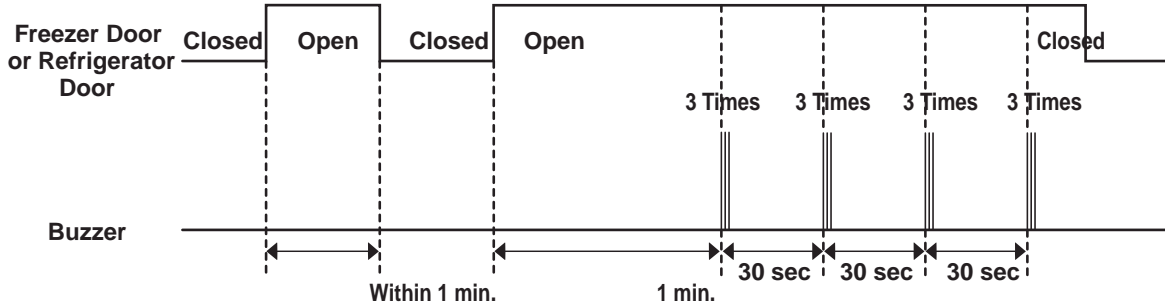
1. The purpose of this function is to intensify the cooling speed of freezer and to increase the amount of ice.
2. Whenever selection switch is pressed, selection/release, the LED will turn ON or OFF
3. If there is a power cut and the refrigerator is power on again, ULTRA ICE function will be canceled.
4. To activate these function you need to press the ULTRA ICE key and the LED will turn ON. This function will remain activated for 24 hrs. The first three hours the compressor and ULTRA ICE will be ON. The next 21hours the freezer will be controlled at the lowest temperature. After 24 hours or if the ULTRA ICE key is pressed again, the freezer will return to its previous temperature.
5. For the first three hours notice the following cases:
 - (1) Compressor and freezer fan(HIGH RPM) continuously operate for three hours.
 - (2) If defrost starts during ULTRA ICE, ULTRA ICE operates for the rest of time after defrost is completed, when ULTRA ICE operation time is less than 90 minutes.
If ULTRA ICE operates for more than 90minutes, the ULTRA ICE will operate for two hours after defrost is completed.
 - (3) If ULTRA ICE is pressed during defrost, ULTRA ICE LED is on but this function will start seven minutes after defrost is completed and it shall operate for three hours.
 - (4) If ULTRA ICE is selected within seven minutes after compressor has stopped, the compressor (compressor delays seven minutes) shall start after the balance of the delay time.
The fan motor in the freezer compartment rotates at high speed during ULTRA ICE
6. For the rest of 21 hours, the freezer will be controlled at the lowest temperature.

8-1-4. REFRIGERATOR LAMP AUTO OFF

1. To protect the risk of lamp heat, when Refrigerator door opens for 7 min., refrigerator lamp is auto off.

8-1-5 Alarm for Open Door

1. This feature sounds a buzzer when the freezer or refrigerator door is not closed within 1 minute after it is opened.
2. One minute after the door is opened, the buzzer sounds three times each for 1/2 seconds. These tones repeat every 30 seconds.
3. The alarm is cancelled when the freezer or the refrigerator is closed while the buzzer sounds.



8-1-6 Buzzer Sound

When the button on the front Display is pushed, a Ding~ Dong~ sound is produced.
(Refer to the Buzzer Circuit 8-2-4 No. 3)

8-1-7 Defrosting (removing frost)

1. Defrosting starts each time the COMPRESSOR running time reaches 7 hours.
2. For initial power on or for restoring power, defrosting starts when the compressor running time reaches 4 hours.
3. Defrosting stops if the sensor temperature reaches 46.4°F(8°C) or more. If the sensor doesn't reach 46.4°F(8°C) in 2 hours, the defrost mode is malfunctioning. (Refer to the defect diagnosis function, 8-1-9.)
4. Defrosting won't function if its sensor is defective (wires are cut or short circuited)

8-1-8 Electrical Parts Are Turned On Sequentially

Electrical parts such as COMPRESSOR, defrosting heater, freezer FAN, etc. are turned on in the following order to prevent noise and parts damage. Several parts are started at the same time at initial power on and are turned off together when TEST is completed.

OPERATING		ORDERS				
Initial power on	Temperature of Defrosting Sensor is 45°C or more (when unit is newly purchased or when moved)	POWER ON	in 1/2 second	COMP ON	in 1/2 second	Freezer FAN ON
	Temperature of defrosting sensor is lower than 45°C (when power cuts, SERVICE)	POWER ON	in 1/2 second	Defrosting heater ON	in 10 second	Defrosting heater OFF
			in 1/2 second	COMP ON	in 1/2 second	Freezer FAN ON
Reset to normal operation from TEST MODE		Total load OFF	in 7 minute	COMP ON	in 1/2 second	Freezer FAN ON

8-1-9 Defect Diagnosis Function

1. Automatic diagnosis makes servicing the refrigerator easy
2. When a defect occurs, the buttons will not operate; but the tones, such as ding, will sound.
3. When the defect CODE removes the sign, it returns to normal operation (RESET).
4. The defect CODE shows on the Refrigerator and Freezer Display.



ERROR CODE on display panel ● LED OFF LED ON ◎

NO	ITEM		ERROR CODE					CONTENTS	REMARKS		
1	Failure of freezer sensor	All off	●	◎	◎	◎	◎	◎	Cut or short circuit wire	Inspect Connecting wires on each sensor	
2	Failure of Refrigerator sensor	All off	◎	●	◎	◎	◎	◎	Cut or short circuit wire		
3	Failure of defrost sensor	All off	◎	◎	●	◎	◎	◎	Cut or short circuit wire		
4	Poor of defrost	All off	●	●	●	●	◎	◎	◎	2 hours later after starting defrost, If sensor doesn't be over 46°F (8°C)	Snapping of defrost heater or Temperature fuse, pull-out of Connector (indicated minimum 2 Hours after failure occurs)
5	Failure of BLDC fan motor at freezing compartment	All off	●	●	●	●	●	◎	◎	If there is no fan motor signal, for more than 65 seconds, In operation fan motor.	Poor motor, hocking to wires of fan, contact of structures to fan, snapping or short of lead

8-1-10 TEST Mode

1. The Test mode allows checking the PCB and the function of the product as well as finding out the defective part in case of an error.
2. The test mode is operated by pressing two buttons at Display panel.
3. While in the test mode, the function control button is not recognized, but the recognition tone (beep~) sounds.
4. After exiting the test mode, be sure to reset by unplugging and then plugging in the appliance.
5. If an error, such as a sensor failure, is detected while in the test mode, the test mode is cleared and the error code is displayed.
6. While an error code is displayed, the test mode will not be activated.

MODE	MANIPULATION	CONTENTS	REMARKS
TEST1	Push ULTRA ICE key and ADJUST key of Freezer Temperature at the same time over 3 seconds.	<ol style="list-style-type: none"> 1. Continuous operation of the COMPRESSOR 2. Continuous operation of the freezer fan 3. STEPPING DAMPER OPEN 4. Defrosting Heater OFF 5. Every DISPLAY LED ON 	
TEST2	Push ULTRA ICE key and ADJUST key of Freezer Temperature at the same time over 3 seconds in TEST MODE 1	<ol style="list-style-type: none"> 1. COMP OFF 2. Freezer FAN OFF 3. STEPPING DAMPER CLOSE 4. Defrosting heater ON 5. DISPLAY LED 1, 3, 5, 7 ON 	Reset if the temperature of the Defrosting sensor is 46°F (8°C) or more.
Reset	Push ULTRA ICE key and ADJUST key of Freezer Temp. at the same time over 3 seconds. in TEST MODE 2	Reset to the previously setting before TEST MODE	The compressor will Start after a 7-minute delay.

NOTE: LED CHECK MODE: When the refrigerator temperature control and the freezer temperature control button at the same time are held for 1 second or longer, every LED on the display turns on at the same time. When the buttons are released, the previous mode is restored.

*** Freezer Fan RPM Variable Check:**

In case the freezer fan is in operation when the ADJUST key in Refrigerator and Freezer Temp. Control are pressed for more than one second at the same time, freezer fan RPM changes. (for example, if high speed, to normal speed or if normal speed, to high speed for 30 seconds)

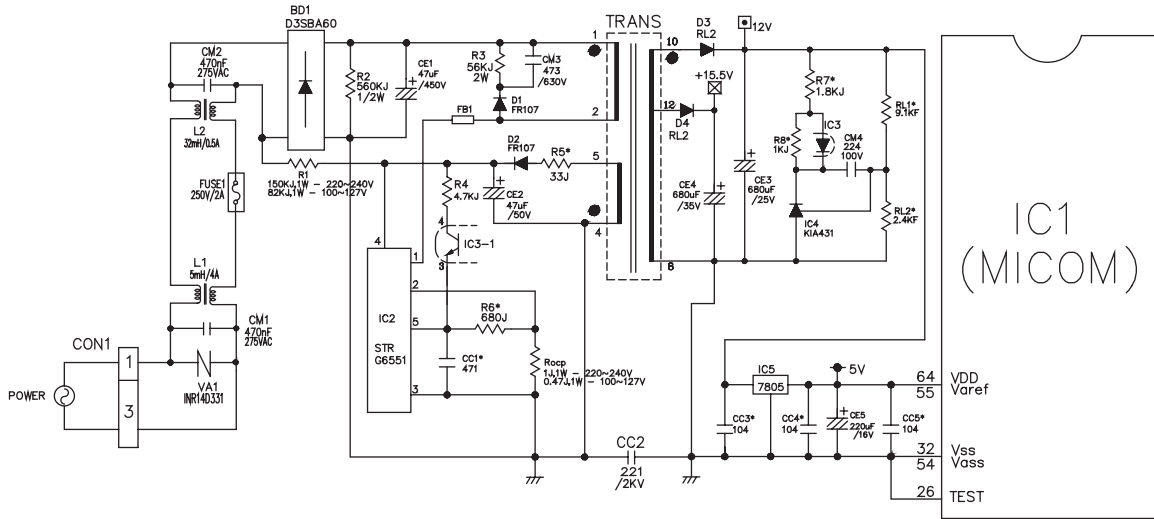
After 30 seconds, it turns to its original RPM.

*** Demonstration MODE:**

1. When the ULTRA ICE key and ADJUST key of refrigerator temperature control are pressed for more than 3 seconds at the same time, temperature's it converts to demonstration mode.
2. In this status, each LED is rotated with 1 second interval.
3. In this status, all Loads are off (Compressor / Fan / Damper / Heater)
(Even in Demonstration Mode, the refrigerator Lamp automatic off function works normally and can be demonstrated)
4. It resets if you do again as clause.

8-2 PCB FUNCTION

8-2-1 Power Circuit



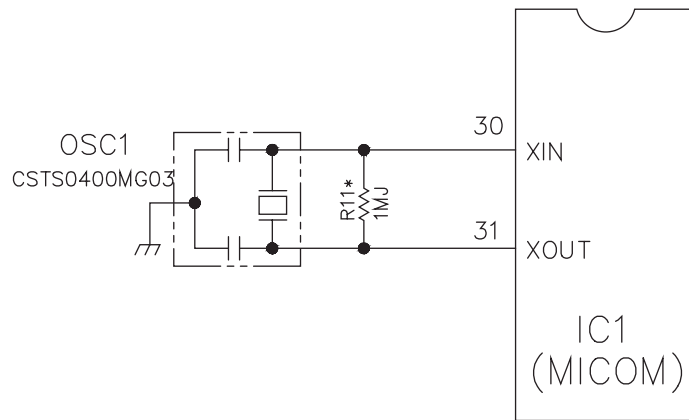
The secondary part of the TRANSFORMER is composed of the power supply for the display, the BLDC FAN Motor drive (15.5 V), the relay drive (12 Vdc) and the MICOM and IC (5 Vdc).

The voltage for each part is as follows:

PART	VA 1	CE 3	CE 4	CE 5
VOLTAGE	115 Vac	12 Vdc	15.5 Vdc	5 V

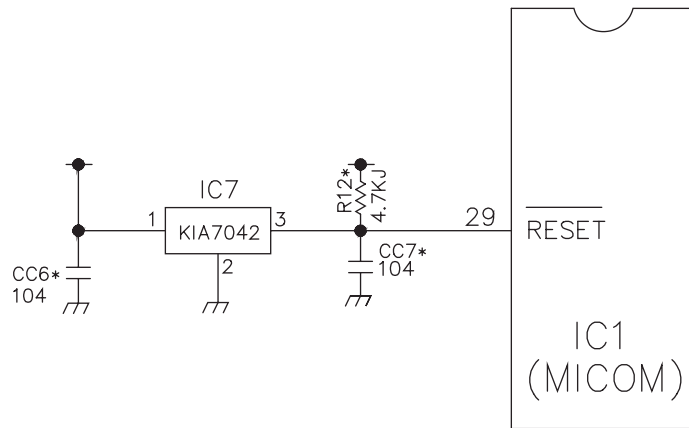
VA1 is a part for preventing over voltage and noise. When 385V or higher power is applied, the inside elements are short-circuited and broken, resulting in blowout of the fuse in order to protect the elements of the secondary part of the TRANSFORMER.

8-2-2 Oscillation Circuit



This circuit generates the base clock for calculating time and the synchro clock for transmitting data from and to the inside logic elements of the IC1 (MICOM). Be sure to use specific replacement parts, since calculating time by the IC1 may be changed. If changed, the OSC1 SPEC will not work.

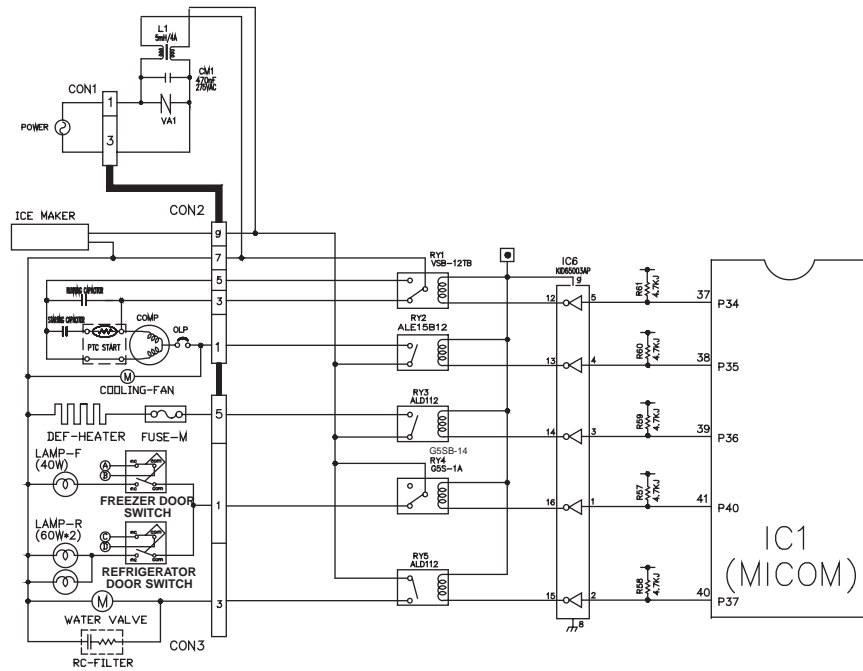
8-2-3 Reset Circuit



The RESET circuit allows all the functions to start at the initial conditions by initializing various parts, including the RAM inside the MICOM (IC1) when the power is initially supplied or the power supply to the MICOM is restored after a momentary power failure. For the initial 10ms of power supply, LOW voltage is applied to the MICOM RESET terminal. During a normal operation, 5V is applied to the RESET terminal. (If a malfunction occurs in the RESET IC, the MICOM will not operate.)

8-2-4 Load / Buzzer Drive & Open Door Detection Circuit

1. Load Drive Condition Check

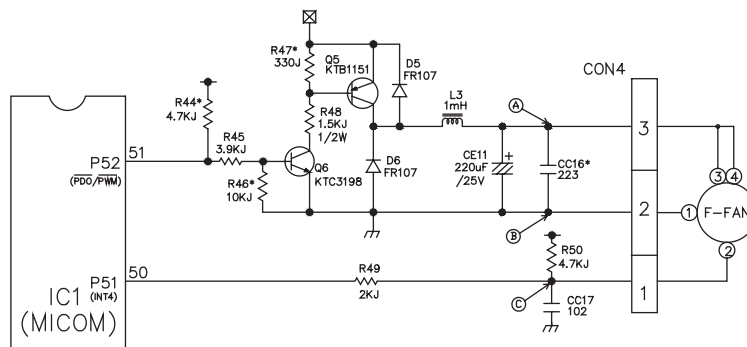


LOAD TYPE	COMP	DEFROSTING HEATER	LAMP	TCM POWER MODE (OPTIONAL)	VALVE (DISPENSER MDL)
Measurement Location (IC6)	NO.13	NO.14	NO.16	NO.12	NO.15
Condition	ON	1V or below			
	OFF	12V			

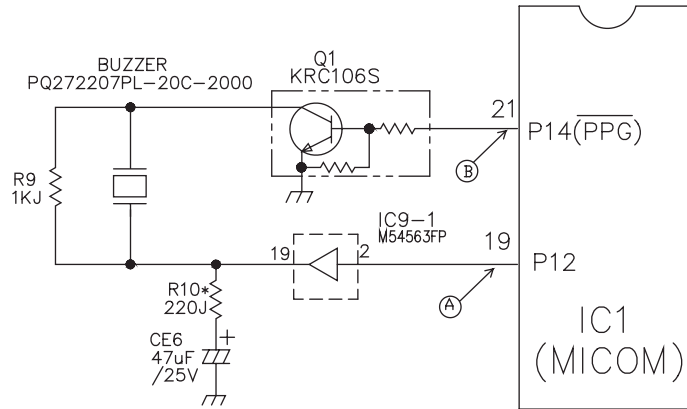
2. Fan motor driving circuit (freezing compartment fan)

1. This circuit makes standby power 0 by cutting off power supplied to ISs inside of the fan motor in the fan motor OFF
2. This is a circuit to perform a temporary change of speed for the fan motor and applies DC voltage up to 7.5V ~ 16V to motor.
3. This circuit prevents over-driving the fan motor by cutting off power applied to the fan motor in the lock of fan motor by sensing the operation RPM of the fan motor.

	Ⓐ part	Ⓑ part	Ⓒ part
MOTOR OFF	2V or less	0V	5V
MOTOR ON	13V~15V	0V	2V~3V

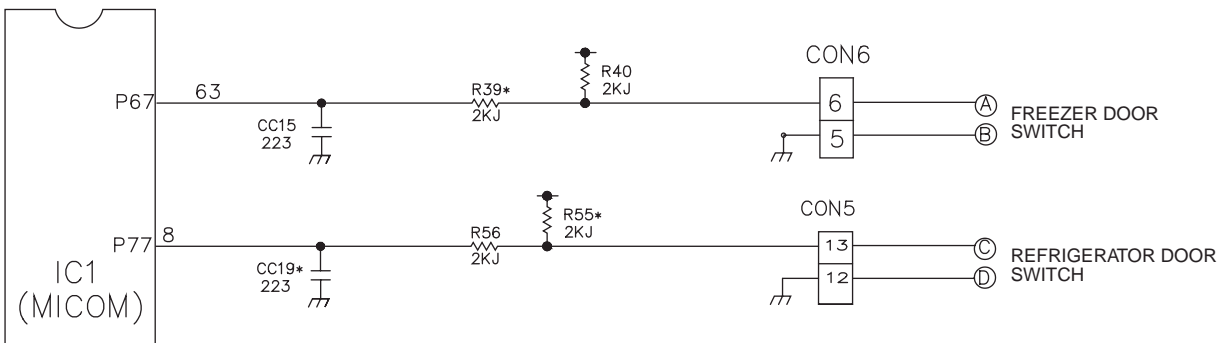


3. Buzzer Drive Condition Check



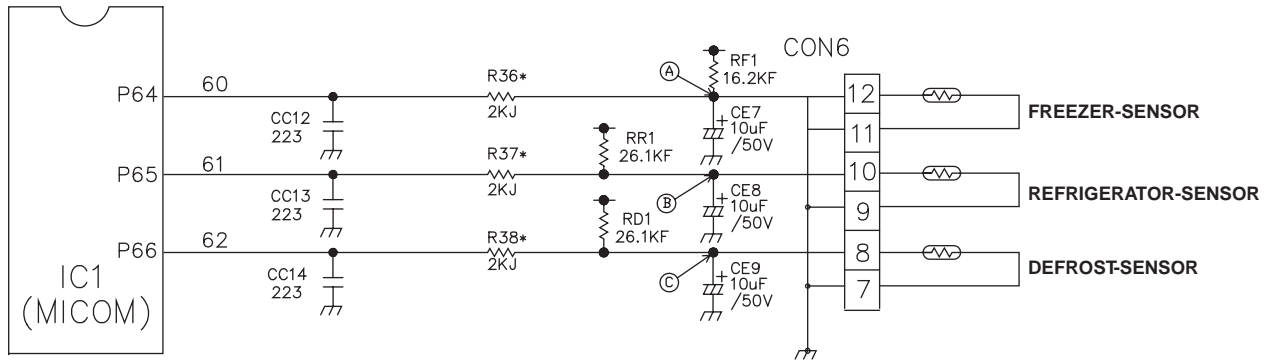
Condition Measurement Location	Tone (Ding~Dong~) when the button on the display is pushed.	Alarm for open door (beep-beep-beep)	OFF
IC1 (A)			0 V
IC1 (B)			0 V

4. Open Door Detection Circuit Check



Measurement Location	(PIN NO.63 & PIN NO.8)
Freezer/ Refrigerator Door Closed	5 V
Open	0 V

8-2-5 Temperature Sensor Circuit

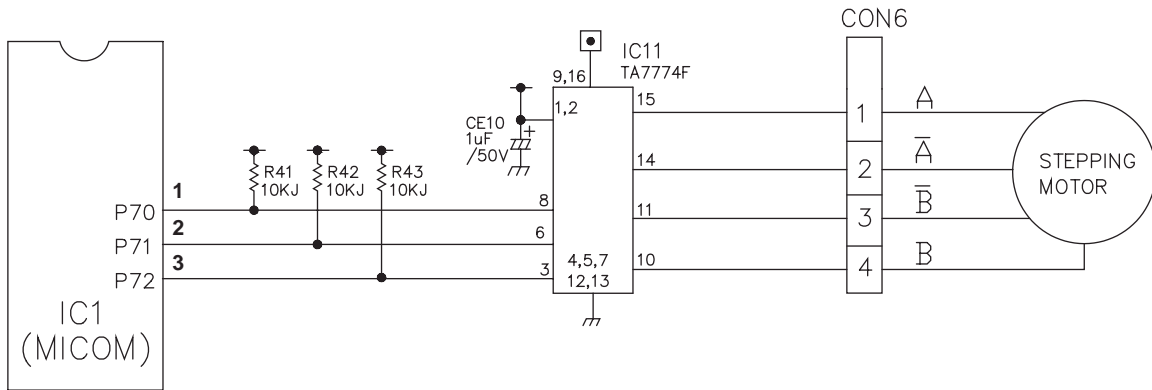


The upper CIRCUIT reads REFRIGERATOR temperature, FREEZER Temperature, and DEFROSTSENSOR temperature for defrosting and the indoor temperature for compensating for the surrounding temperature into MICOM. OPENING or SHORT state of each TEMPERATURE SENSOR are as follows:

SENSOR	CHECK POINT	NORMAL (-30°C ~ 50°C)	SHORT-CIRCUITED	OPEN
Freezer Sensor	POINT [Ⓐ] Voltage	0.5 V ~ 4.5 V	0 V	5 V
Refrigerator Sensor	POINT [Ⓑ] Voltage			
Defrosting Sensor	POINT [Ⓒ] Voltage			

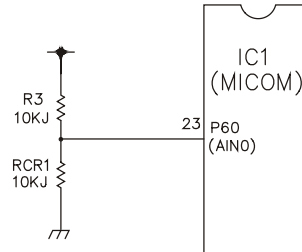
8-2-6 Refrigeration Compartment Stepping Motor Damper Circuit

* The circuit shown below is the damper circuit to regulate the refrigerator temperature.



8-2-7 Temperature Compensation & Overcooling/Undercooling Compensation Circuit

1. Refrigerator Temperature Compensation



Refrigerator		Remark
Resistance (RCR)	Temperature Compensation	
• a/ ù	+2.5 °C	Compensation by raising the temperature ↑
• Ì	+2.0 °C	
• Ì	+1.5 °C	
• Ì	+1.0 °C	
• Ì	+0.5 °C	
• Ì	0 °C	Standard Temperature
• ã)M	-0.5 °C	Compensation by lowering the temperature ↓
• ÑB	-1.0 °C	
• ÌÏ<	-1.5 °C	
• fS	-2.0 °C	
• 8	-2.5 °C	

Table of Temperature Compensation by adjusting the resistance (difference from the current temperature) e.g., If the refrigerator compensation resistance of the refrigerator rises 33.8°F(+1°C).

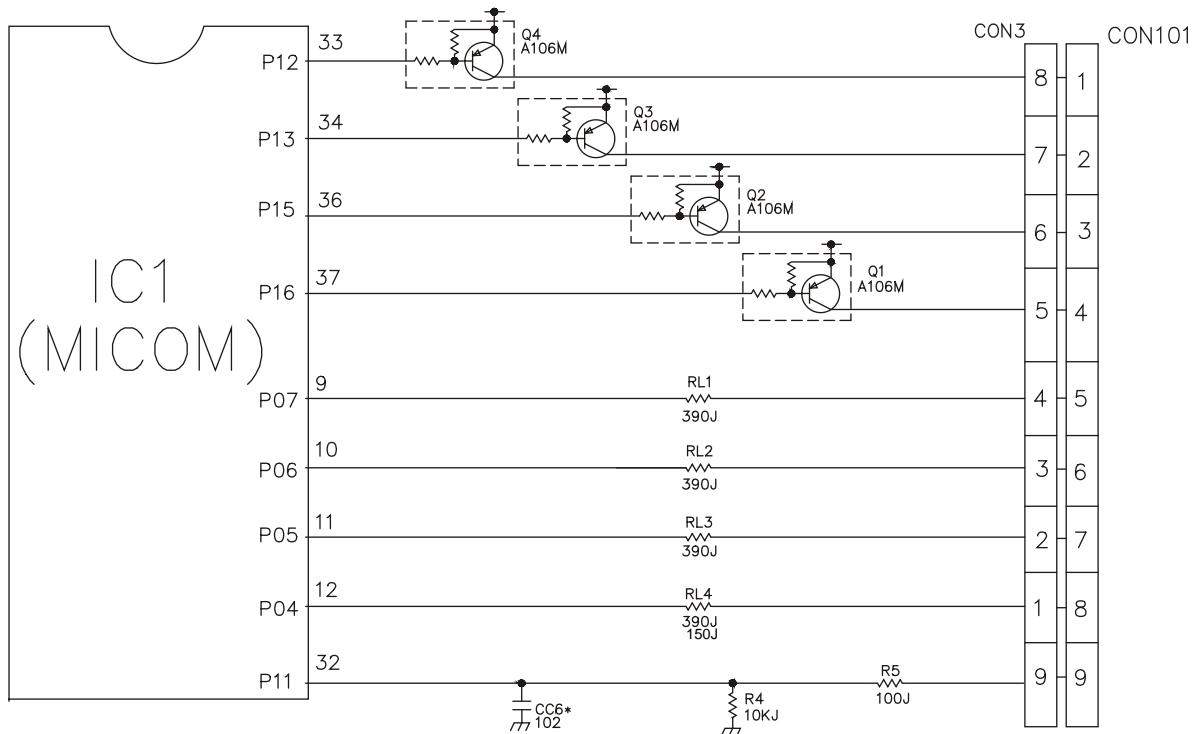
2. The temperature compensation for refrigerator compartment is in the following table:

	Revised resistance	•	z	RØ	Fòx	Syt	ð	•	ÉO	PÖ	•	•&-
	Present resistance											
Refrigerator (RCR)	#	No change	0.5°C Up	1°C Up	1.5°C Up	2°C Up	2.5°C Up	3°C Up	3.5°C Up	4°C Up	4.5°C Up	5°C Up
	•	0.5°C Down	No Change	0.5°C Up	1°C Up	1.5°C Up	2°C Up	2.5°C Up	3°C Up	3.5°C Up	4°C Up	4.5°C Up
	↳Ä	1°C Down	0.5°C Down	No Change	0.5°C Up	1°C Up	1.5°C Up	2°C Up	2.5°C Up	3°C Up	3.5°C Up	4°C Up
	↳Ä	1.5°C Down	1°C Down	0.5°C Down	No Change	0.5°C Up	1°C Up	1.5°C Up	2°C Up	2.5°C Up	3°C Up	3.5°C Up
	ðD	2°C Down	1.5°C Down	1°C Down	0.5°C Down	No Change	0.5°C Up	1°C Up	1.5°C Up	2°C Up	2.5°C Up	3°C Up
	êp	2.5°C Down	2°C Down	1.5°C Down	1°C Down	0.5°C Down	No Change	0.5°C Up	1°C Up	1.5°C Up	2°C Up	2.5°C Up
	f	3°C Down	2.5°C Down	2°C Down	1.5°C Down	1°C Down	0.5°C Down	No Change	0.5°C Up	1°C Up	1.5°C Up	2°C Up
	f	3.5°C Down	3°C Down	2.5°C Down	2°C Down	1.5°C Down	1°C Down	0.5°C Down	No Change	0.5°C Up	1°C Up	1.5°C Up
	f	4°C Down	3.5°C Down	3°C Down	2.5°C Down	2°C Down	1.5°C Down	1°C Down	0.5°C Down	No Change	0.5°C Up	1°C Up
	f	4.5°C Down	4°C Down	3.5°C Down	3°C Down	2.5°C Down	2°C Down	1.5°C Down	1°C Down	0.5°C Down	No Change	0.5°C Up
	ËTÛ	5°C Down	4.5°C Down	4°C Down	3.5°C Down	3°C Down	2.5°C Down	2°C Down	1.5°C Down	1°C Down	0.5°C Down	No Change

NOTE: This circuit is designed to input the necessary temperature compensation values into the MICOM. This adjusts the refrigerator temperature, which is different in each model.

8-2-8 Key Button Input & Display Light-On Circuit

The circuit shown above determines whether a function control key on the operation display is pushed. It also turns on the corresponding function indication LED DISPLAY. The drive type is the scan type.



8-3 RESISTANCE SPECIFICATION OF SENSOR

TEMPERATURE DETECTED BY SENSOR	RESISTANCE OF FREEZER SENSOR	RESISTANCE OF REFRIGERATOR & DEFROST SENSOR & ROOM SENSOR
- 20° C	22.3 KΩ	77 KΩ
- 15° C	16.9 KΩ	60 KΩ
- 10° C	13.0 KΩ	47.3 KΩ
- 5° C	10.1 KΩ	38.4 KΩ
0° C	7.8 KΩ	30 KΩ
+ 5° C	6.2 KΩ	24.1 KΩ
+ 10° C	4.9 KΩ	19.5 KΩ
+ 15° C	3.9 KΩ	15.9 KΩ
+ 20° C	3.1 KΩ	13 KΩ
+ 25° C	2.5 KΩ	11 KΩ
+ 30° C	2.0 KΩ	8.9 KΩ
+ 40° C	1.4 KΩ	6.2 KΩ
+ 50° C	0.8 KΩ	4.3 KΩ

- The resistance of the SENSOR has a $\pm 5\%$ common difference.
- Measure the resistance of the SENSOR after leaving it for over 3 minutes in the measuring temperature. This delay is necessary due to sensor response speed.

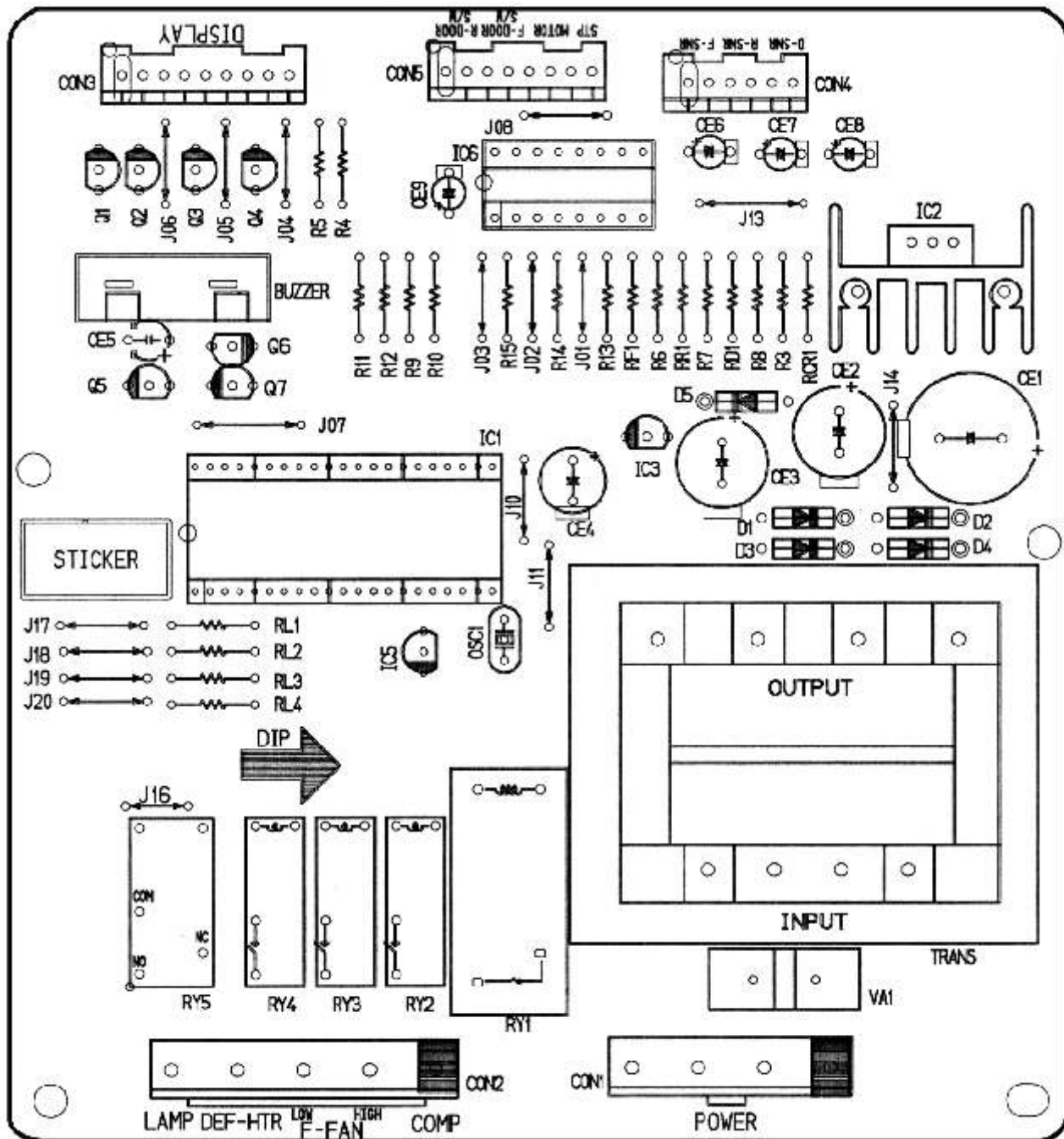
8-4 TROUBLESHOOTING

PROBLEM	INDICATED BY	CHECK	CHECKING METHOD	CAUSE	SOLUTION	
POWER SOURCE is poor.	1. The whole DISPLAY LED/SEVEN SEGMENT DISPLAY's off. 2. DISPLAY LED/ SEVEN SEGMENT DISPLAY operates abnormally	1. FREEZER/ REFRIGERATOR.	Check if FREEZER/ REFRIGERATOR DOOR IS OPEN and check display.	POWER SOURCE is poor.	Check outlet Voltage.	
		2. If LAMP is dim. 3. The connection of the MAIN PWB CONNECTOR.	Check visually. Check connection of CONNECTOR.	Applied voltage error. CONNECTOR connection is poor. TRANS FUSE is open.	Use boosting TRANS. Reconnect CONNECTOR. Replace TRANS.	
COOLING is poor.	NO COOLING.	1. If the COMPRESSOR operate.	USE TEST MODE1 (forced COOLING). If less than 7 minutes pass after compressor shuts off, don't press the KEY and wait.	COMPRESSOR locked or blocked. OLP, PTC is poor. COMPRESSOR RELAY is poor.	Replace COMPRESSOR. Replace OLP, PTC. Replace MAIN PWB.	
			2. If refrigerant is leaking.	Measure the amount of frost sticking on EVAPORATOR and the surface temperature of the condenser pipe.	Refrigerant leakage.	Replace the leaking part and replace any lost refrigerant.
FREEZER TEMPERATURE is incorrect		1. If FANMOTOR operates.	USE TEST MODE1 (forced COOLING).	FAN MOTOR is poor.	Replace the FAN MOTOR.	
			2. If DEFROSTING is normal.	Check the amount of frost sticking on the VAPORATOR.	DEFROSTING is poor.	See DEFROSTING is poor .
			3. If SENSOR is normal.	Check the resistance of the Refrigerator SENSOR.	SENSOR RESISTANCE is poor.	Replace SENSOR.
			4. Door Line contact.	Check the seal when the door is closed.	Door liner damaged.	Replace door liner.
			CONNECTING WIRE is poor.	Certify the MOTOR and the connection of the black wire of the MAIN PWB CONNECTOR (CON2).		

PROBLEM	INDICATED BY	CHECK	CHECKING METHOD	CAUSE	SOLUTION
COOLING is poor.	If REFRIGERATOR TEMPERATURE is too low.	1.If FREEZER TEMPERATURE isn't normal.	Check if FREEZER TEMPERATURE is too low.	FAN MOTOR is poor.	Make sure the DOOR is attached. Replace FAN MOTOR.
		2. If amount of cool air from FAN MOTOR is sufficient.	Make sure that the amount and speed of cool air are sufficient by touching the check supplied on the REFRIGERATOR.	Passage of cool air is blocked. EVA frozen.	Remove impurities. See DEFROSTING is poor .
		3. Door Line contact.	Check door seal when door is closed.	Door liner damaged.	Replace Door liner.
DEFROSTING is poor.	NO DEFROSTING.	1. If HEATER emits heat.	USE TEST MODE2 (forced DEFROSTING).	HEATER disconnection.	Replace HEATER.
				TEMPERATURE FUSE disconnection.	Replace TEMPERATURE FUSE.
				Connection is poor.	Check EVAPORATOR connection and wire of MAIN PWB CONNECTOR.
				DEFROST-SENSOR is poor.	Replace DEFROST-SENSOR.
				HEATER RELAY is poor.	Replace RY3 of MAIN PWB.
				DRAIN PIPE is blocked.	Remove ice and impurities. Check HEATER PLATE resistance.
		3. If ice remains after DEFROSTING.	Make sure that DEFROST SENSOR is connected. Make sure that FREEZER / REFRIGERATOR DOOR is closed.	Connection is poor.	Reassemble the DEFROST-SENSOR.
				DOOR does not close properly.	Reassemble DOOR. Replace GASKET.

8-5 MAIN PWB ASSEMBLY AND PARTS LIST

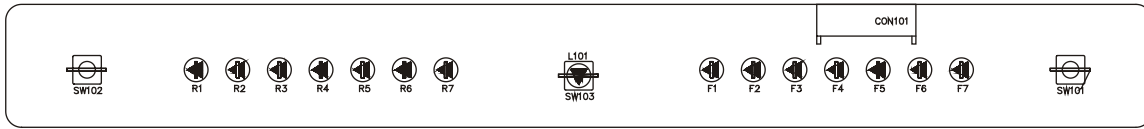
8-5-1 Main PWB Assembly



8-5-2 Replacement Parts List

No	P/NO	DESCRIPTION	SPEC	MAKER	REMARK
1	6870_BB089A = C	PWB(PCB)	KS-PJT GOOD MDL	DOO SAN	T-1.6
2	-	-	-	-	-
3	6170_B2002H	TRANSFORMER,LOW VOLTAGE	240V 15V YES GR-MICOM ONE TAB	TAE SUNG	TRANS
4	6170_B2002M	TRANSFORMER,LOW VOLTAGE	260V 15V YES GR-MICOM ONE TAB	TAE SUNG	TRANS
5	6170_B2002R	TRANSFORMER,LOW VOLTAGE	140V 15V YES GR-MICOM ONE TAB	TAE SUNG	TRANS
6	6170_B2002W	TRANSFORMER,LOW VOLTAGE	115V 15V YES GR-MICOM ONE TAB	TAE SUNG	TRANS
7	-	-	-	-	-
8	6630A0910C	CONNECTOR (CIRC),WAFER	YW396-07AV YEONHO 7PIN 3.96MM STRAIGHT SN	YEON HO	CON1
9	6630A0910D	CONNECTOR (CIRC),WAFER	YW396-09AV	YEON HO	CON2
10	6630A0910E	CONNECTOR (CIRC),WAFER	YW396-05AV	YEON HO	-
11	6630_BB007G	CONNECTOR (CIRC),WAFER	917786-1 AMP 8PIN 2.5MM STRAIGHT SN	AMP	CON5
12	6630_BB007H	CONNECTOR (CIRC),WAFER	917787-1 AMP 9PIN 2.5MM STRAIGHT SN	AMP	CON3
13	6630_BB007E	CONNECTOR (CIRC),WAFER	917784-1 AMP 6PIN 2.5MM STRAIGHT SN	AMP	CON4
14	-	-	-	-	-
15	01ZZ_B2023L	IC,DRAWING	TM97C846N 42 SDIP BK KS-BETTER/GOOD(MASK)	TOSHIBA	IC1(01ZZ_B2022M)
16	01ZZ_B2022	IC,DRAWING	-	TOSHIBA	IC1(01ZZ_B2022)
17	01ZZ_B2022	IC,DRAWING	-	TOSHIBA	IC1(01ZZ_B2022)
18	-	-	-	-	-
19	01KE781200B	IC,KEC	K1A7812P1 12V 1A,KEC - - - -	KEC	IC2
20	01KE781200M	IC,KEC	K1A7812P1 3DIP BK 12V 1A REFORM	KEC	-
21	01KE780500A	IC,KEC	K1A7805SP,3PIN,DIP, KEC	KEC	IC3
22	01STLM1001A	IC,STANDARD LOGIC	M4553FP MITSUBISHI 20 R/TIP CONVERT	MITSUBISHI	-
23	01T0777400A	IC,TOSHIBA	T17774AP 16 SDIP BK STEPPING MOTOR	TOSHIBA	IC6
24	01KE650030C	IC,KEC	K1D65003AF 16SOP BK 7OH DRIVER	KEC	IC4
25	01KE704200A	IC,KEC	K1A7042P 3P BK RESET	KEC	IC5
26	01RH-934600D	IC,ROHM	BR93LC46FF-W 8PIN SOP BK EEPROM -	ROHM	-
27	-	-	-	-	-
28	6920000001A	RELAY	ALE15B12 MATSUSHITA 250VAC 16A 12VDC IA NO VENTING	NAIS	RY1
29	6920WF0010A	RELAY	US11-12S YUYU 250VAC 3A 12VDC IA	YUYU	-
30	6920_B2003E	RELAY	ALD112 MATSUSHITA 250VAC 3A 12VDC IA	OMRON	RY2-RY4
31	6920_B2009A = B	RELAY	655B-14 250VAC 5A 12VDC IC	OMRON	RY5
32	-	-	-	-	-
33	-	-	-	-	-
34	6212_BB001B	RESONATOR,CERAMIC	CST50400 MURATA 4MHZ +/- 0.5% 15PF TP NONE	MURATA	OSC1(LJ570-0001ZB)
35	6102W5V006A	VARIATOR	1NR14D331 ILJIN UL/C5A/VDE BK	ILJIN	VA1
36	6102_BB003A	VARIATOR	1NR14D271 ILJIN UL/VDE TP 270V	ILJIN	VA1
37	6102_BB001B	VARIATOR	1NR14D621 ILJIN UL/VDE BK 620V	ILJIN	VA1
38	0DD400709AA	DIODE,RECTIFIERS	1N4007 TP MOTOROLA - - IA - - -	DELTA	DI-05
39	-	-	-	-	-
40	-	-	-	-	-
41	0CE2286J610	CAPACITOR,AL-ELECTROLYTIC	2200 UF SWS,S6 35V M FL BULK	SAM HWA	CE1
42	0CE1086J610	CAPACITOR,AL-ELECTROLYTIC	1000UF SWS,S6 35V 20% FL BULK	SAM HWA	-
43	0CE1086H61B	CAPACITOR,AL-ELECTROLYTIC	1000 UF SWS,S6 25V M FL TP 5	SAM HWA	CE2
44	0CE4776H61B	CAPACITOR,AL-ELECTROLYTIC	470UF SWS,S6 25V 20% FL TP 5	SAM HWA	CE3
45	0CE2276F638	CAPACITOR,AL-ELECTROLYTIC	220UF SWS,S6 16V 20% FM5 TP 5	SAM HWA	CE4
46	0CE1076H638	CAPACITOR,AL-ELECTROLYTIC	100UF SWS,S6 25V 20% FM5 TP 5	SAM HWA	-
47	0CE1066K638	CAPACITOR,AL-ELECTROLYTIC	10UF SWS,S6 50V 20% FM5 TP 5	SAM HWA	CE6-CE8
48	0CE1056K638	CAPACITOR,AL-ELECTROLYTIC	1UF SWS,S6 50V 20% FM5 TP 5	SAM HWA	CE9
49	0CE4761H638	CAPACITOR,AL-ELECTROLYTIC	47UF SWS,S6 25V 20% FM5 TP 5	SAM HWA	CE5
50	0C02231N409	CAPACITOR,POLYESTER	0.022 UF D 100V J PE TP	SAM HWA	-
51	0CK1020K96A	CAPACITOR,AL-ELECTROLYTIC	1NF 2012 50V 80%, -20% R/TP X7R	-	CC6
52	0CK2230K96A	CAPACITOR,AL-ELECTROLYTIC	22NF 2012 50V 80%, -20% R/TP X7R	MURATA	CC7-CC11
53	-	-	-	-	-
54	0CK1040K94A	CAPACITOR,AL-ELECTROLYTIC	100NF 2012 50V R/TP (GRM40X7R104K50PE)	MURATA	CC1-CC5
55	-	-	-	-	-
56	0CK1040K949	CAPACITOR,AL-ELECTROLYTIC	0.1UF D 50V 80%, -20% F(Y5V) TA52	-	-
57	-	-	-	-	-
58	-	-	-	-	-
59	0RD1500G609	RESISTOR,AL-ELECTROLYTIC	150 OHM 1/4W 5.00% TA52	SMART	RL4
60	0RD3900G609	RESISTOR,AL-ELECTROLYTIC	390 OHM 1/4 W 5.00% TA52	SMART	RL1-RL3
61	0RD1000G609	RESISTOR,AL-ELECTROLYTIC	100 OHM 1/4 W 5.00% TA52	SMART	R5
62	0RJ001E672	RESISTOR,METAL GLAZED(CHIP)	1K OHM 1/8 W 5% 2012 R/TP	ROHM	RI6
63	0RJ2001E672	RESISTOR,METAL GLAZED(CHIP)	2K OHM 1/8 W 5% 2012 R/TP	ROHM	-
64	0RD2001G609	RESISTOR,AL-ELECTROLYTIC	2K OHM 1/4 W 5.00% TA52	SMART	R6-RI2
65	0RH2200L622	RESISTOR,METAL GLAZED(CHIP)	220 OHM 1/8 W 2012 5.00% D	ROHM	RI7
66	0RJ2201E672	RESISTOR,METAL GLAZED(CHIP)	2.2K OHM 1/8 W 5% 2012 R/TP	ROHM	-
67	0RJ4701E672	RESISTOR,METAL GLAZED(CHIP)	4.7K OHM 1/8 W 5% 2012 R/TP	ROHM	RI1
68	0RJ4701E672	RESISTOR,METAL GLAZED(CHIP)	4.7K OHM 1/8 W 5% 2012 R/TP	ROHM	-
69	0RD4701G609	RESISTOR,AL-ELECTROLYTIC	4.7K OHM 1/4 W 5.00% TA52	SMART	-
70	0RJ1002E672	RESISTOR,METAL GLAZED(CHIP)	10K OHM 1/8 W 5% 2012 R/TP	ROHM	-
71	0RJ1002E672	RESISTOR,METAL GLAZED(CHIP)	10K OHM 1/8 W 5% 2012 R/TP	ROHM	-
72	0RD1002G609	RESISTOR,AL-ELECTROLYTIC	10K OHM 1/4 W 5.00% TA52	SMART	R3,R4,RCR1,RI3-RI5
73	0RJ2702E672	RESISTOR,METAL GLAZED(CHIP)	27K OHM 1/8 W 5% 2012 R/TP	ROHM	-
74	0RJ004E672	RESISTOR,METAL GLAZED(CHIP)	1M OHM 1/8 W 5% 2012 R/TP	ROHM	R2
75	0RJ2612E472	RESISTOR,AL-ELECTROLYTIC	26.1K OHM 1/4 W 1.00% TA52	SMART	RF1,RF1
76	0RJ1622E472	RESISTOR,AL-ELECTROLYTIC	16.2K OHM 1/4 W 1.00% TA52	SMART	RF1
77	-	-	-	-	-
78	-	-	-	-	-
79	3J03565D	FUSE,,DRAWING	9A 250V - -	SAM JU	-
80	0TR106009AC	TRANSISTOR	KRA106M1KRA2206) TP KEC	KEC	Q1-Q4
81	0TR106009AF	TRANSISTOR	KRC 106M KEC	KEC	Q5,Q7
82	0TR319809AA	TRANSISTOR	KTC3198-TP-Y (KTC1815)KEC	KEC	-
83	6908_B3002F	BUZZER	CR622208P DAE YOUNG P1E20 2KHZ 750B(CHINA)	DAE YOUNG	BUZZER
84	6600RR1001Z	SWITCH,TACT	JTP1280A6 JEIL 12V DC 50MA	JEIL	-
85	6854B50001A	JUMP WIRE	0.6MM 52MM TP TAPING SN(10MM)	-	J16
86	6854B50001A	JUMP WIRE	0.6MM 52MM TP TAPING SN(10MM)	-	J1-J6,J8,J10,J14,J17-J20
87	6854B50001A	JUMP WIRE	0.6MM 52MM TP TAPING SN(12.5MM)	-	J13
88	6854B50001A	JUMP WIRE	0.6MM 52MM TP TAPING SN(12.5MM)	-	J07
89	6854B50001A	JUMP WIRE	0.6MM 52MM TP TAPING SN	-	-
90	6854B50001A	JUMP WIRE	0.6MM 52MM TP TAPING SN	-	-
91	4920_B3003A	HEAT SINK	30x25x30 IC-12V R-850,51,52,53,54,55,56 2PIN 1-SCREW 3	-	(IC2)
92	15BF030241B	SCREW TAP TITE(S),BINDING HEAD	+ D3.0 L8.0 MSWR3/FZY	-	(IC2)
93	9VWF0120000	SOLDER(ROSIN WIRE) R50	DI,20	HEE SUNG	-
94	49111004	SOLDER,SOLDERING	H63A	-	-
95	59333105	FLUX	SG10.B25-0.830 KOREA F.H-206	KOKI	-

8-5-3 PWB Assembly, Dysplay and Parts List



Qty	No	P/NO	DESCRIPTION	SPEC	MAKER	REMARK
1	1	6870JB8091A	PWB(PCB)	KS-PJT GOOD/BETTER DISPLAY	DOO SAN	t=1.6
	2					
1	3	6630AQ9159H	WAFER	SMAW250-09	YEON HD	CON101
	4					
2	5	6600RRT002K 6600JB8005A	SWITCH,TACT	JTP1230A JEIL 12V DC 50MA KPT-1105A	JEIL KYUNG IN	SW101,102
1	6	-	TACT S/W	KPT-1109G	KYUNG IN	SW103
14	7	0DLLE0019AA	LED	LT1824-81-BCM TP GREEN 2		R1~R7,F1~F7
3	8	0DD414809AA	DIODE,SWITCHING	1N4148 26MM	PYUNG CHANG DELTA	D101,102,103
12	10	6854B50001A	JUMP WIRE	0.6MM 52MM TP TAPING SN (10MM)	-	J101~J112
	11					
-	12	9VWF0120000	SOLDER(ROSIN WIRE) RSO	D1.20	HEE SUNG	-
001	13	49111004	SOLDER,SOLDERING	H63A	-	-
0.0005	14	59333105	FLUX	SG;0.825-0.830 KOREA F.H-206	KOKI	-

8-6 PWB DIAGRAM

8-6-1 PWB Main Assembly

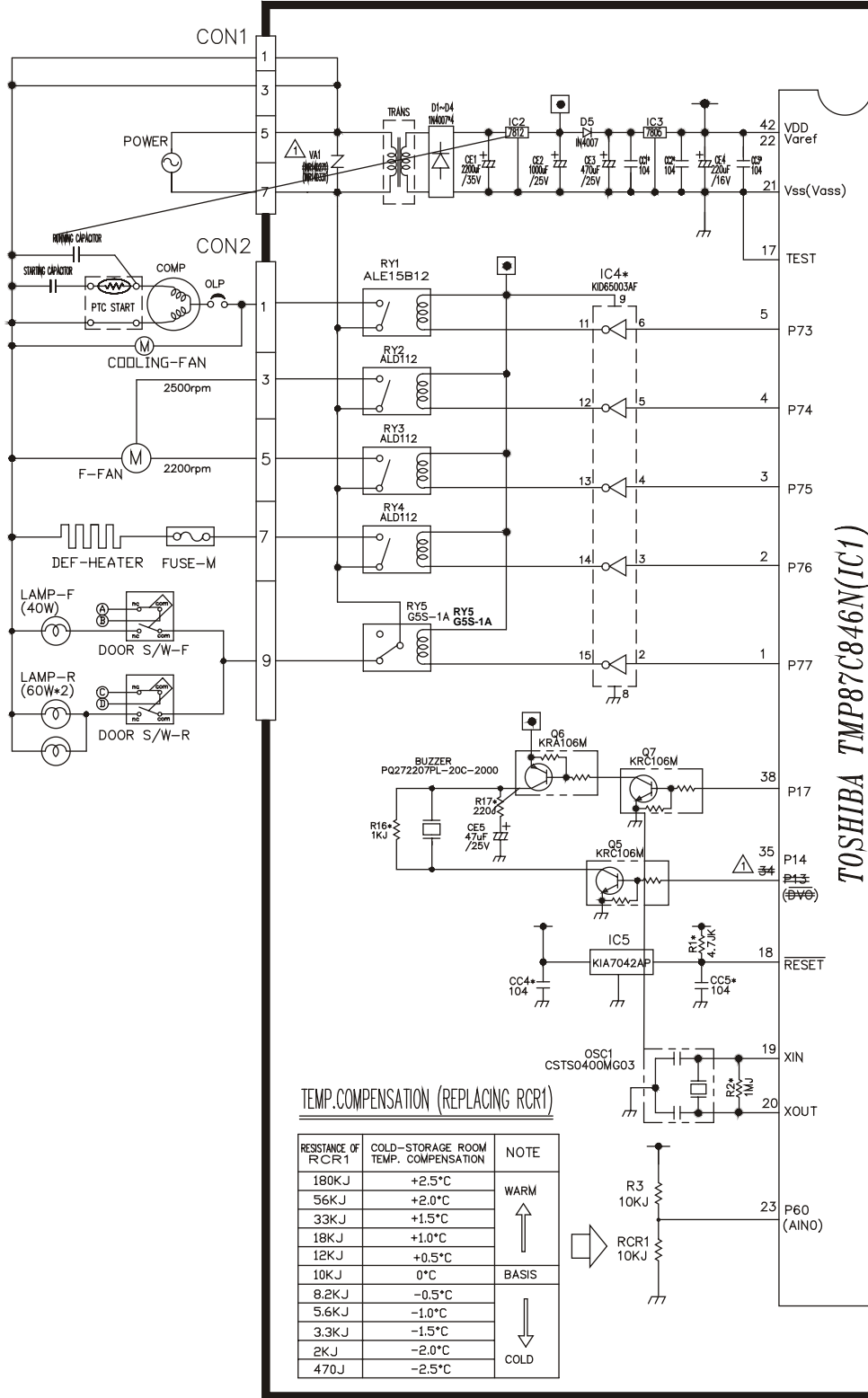
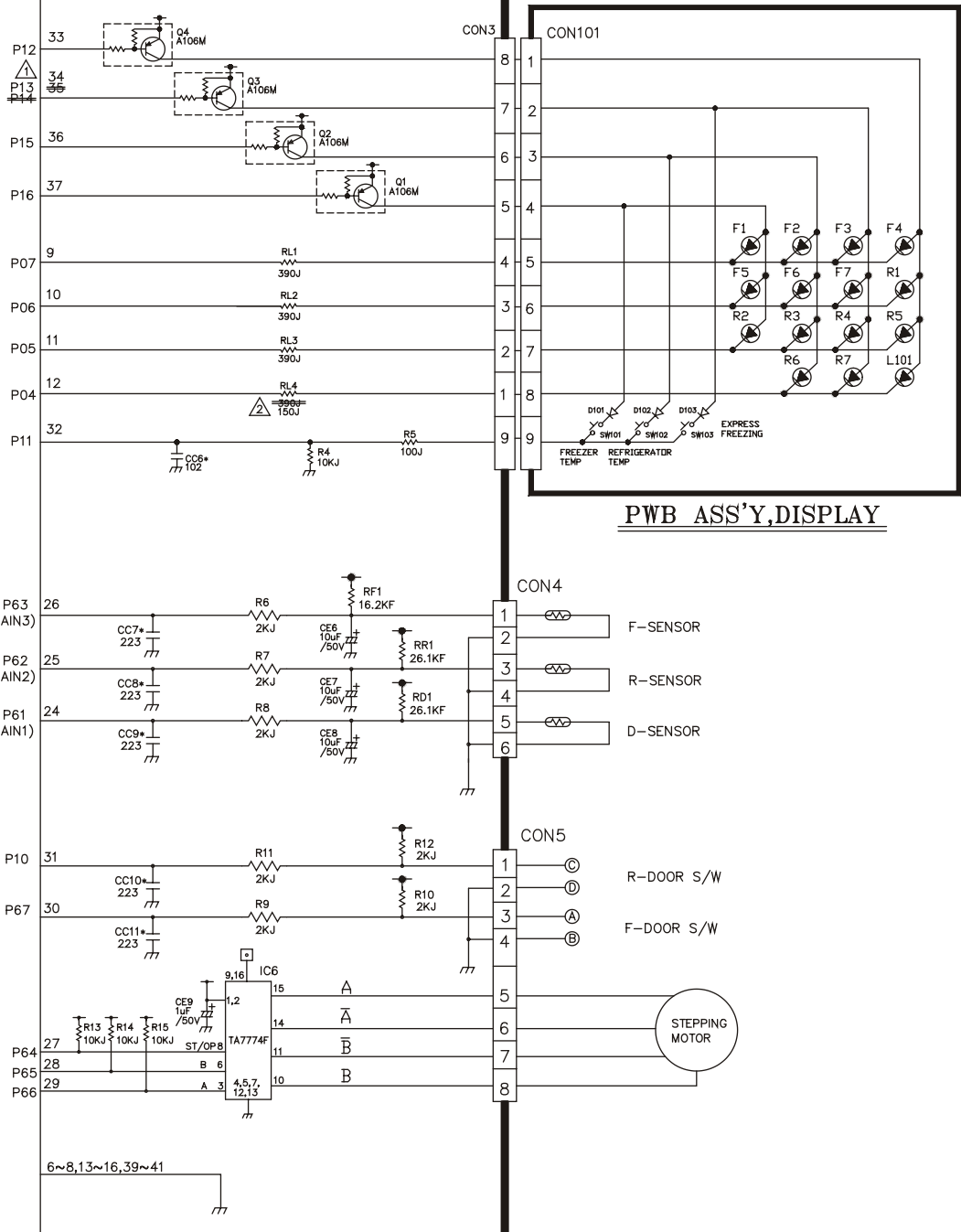
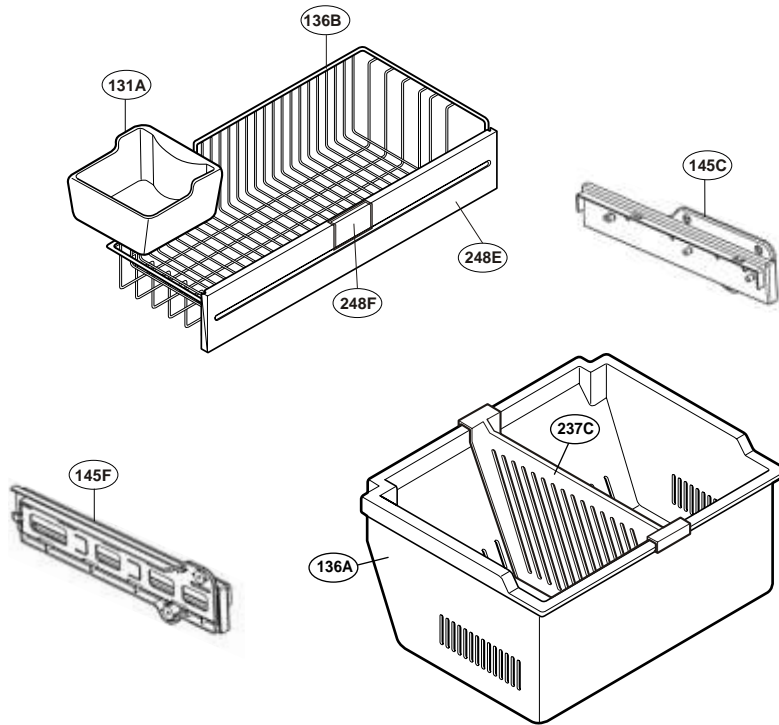


FIG.1 CIRCUIT DIAGRAM



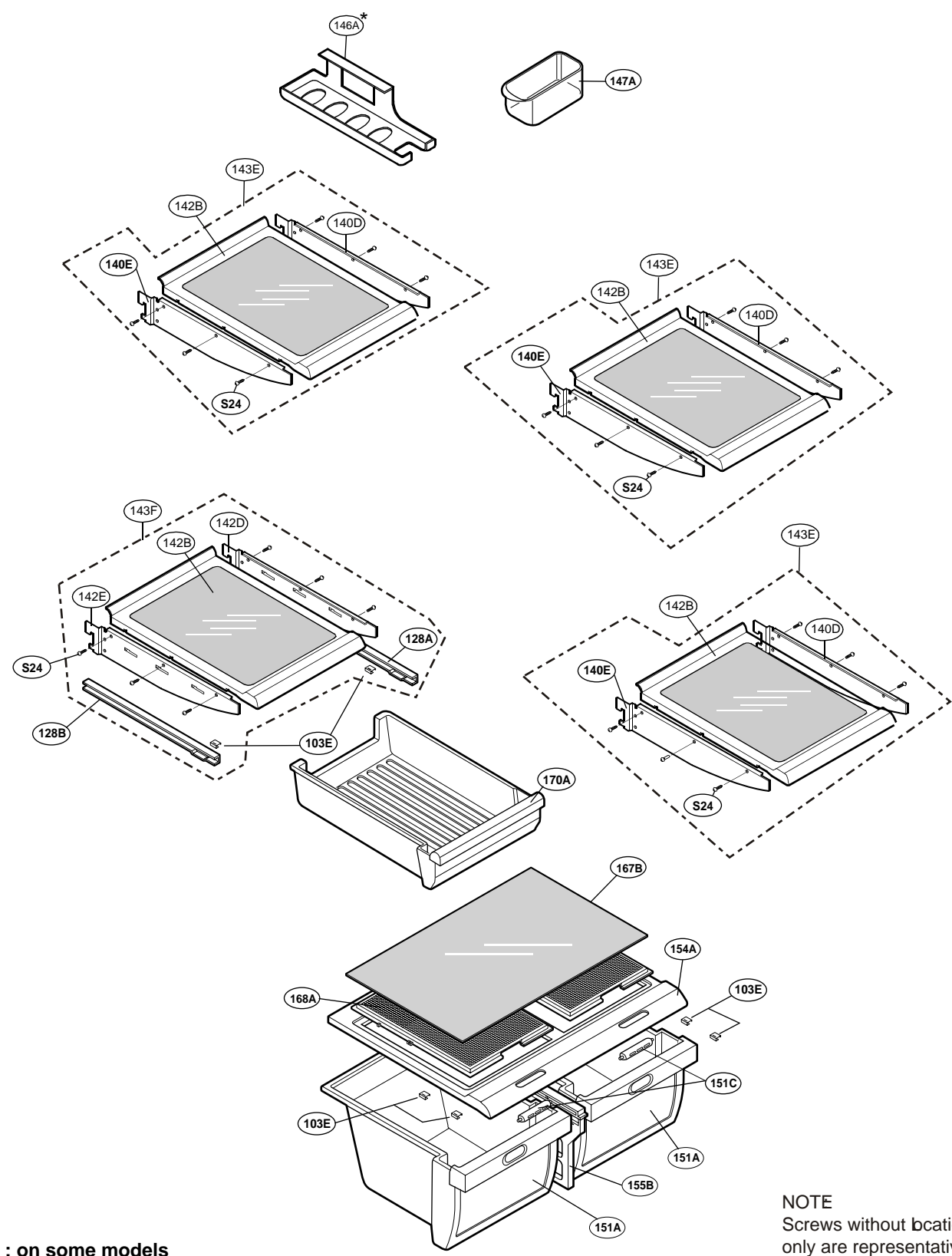
FREEZER PARTS

CAUTION: Use the part number to order part, not the position number



REFRIGERATOR PARTS

CAUTION: Use the part number to order part, not the position number

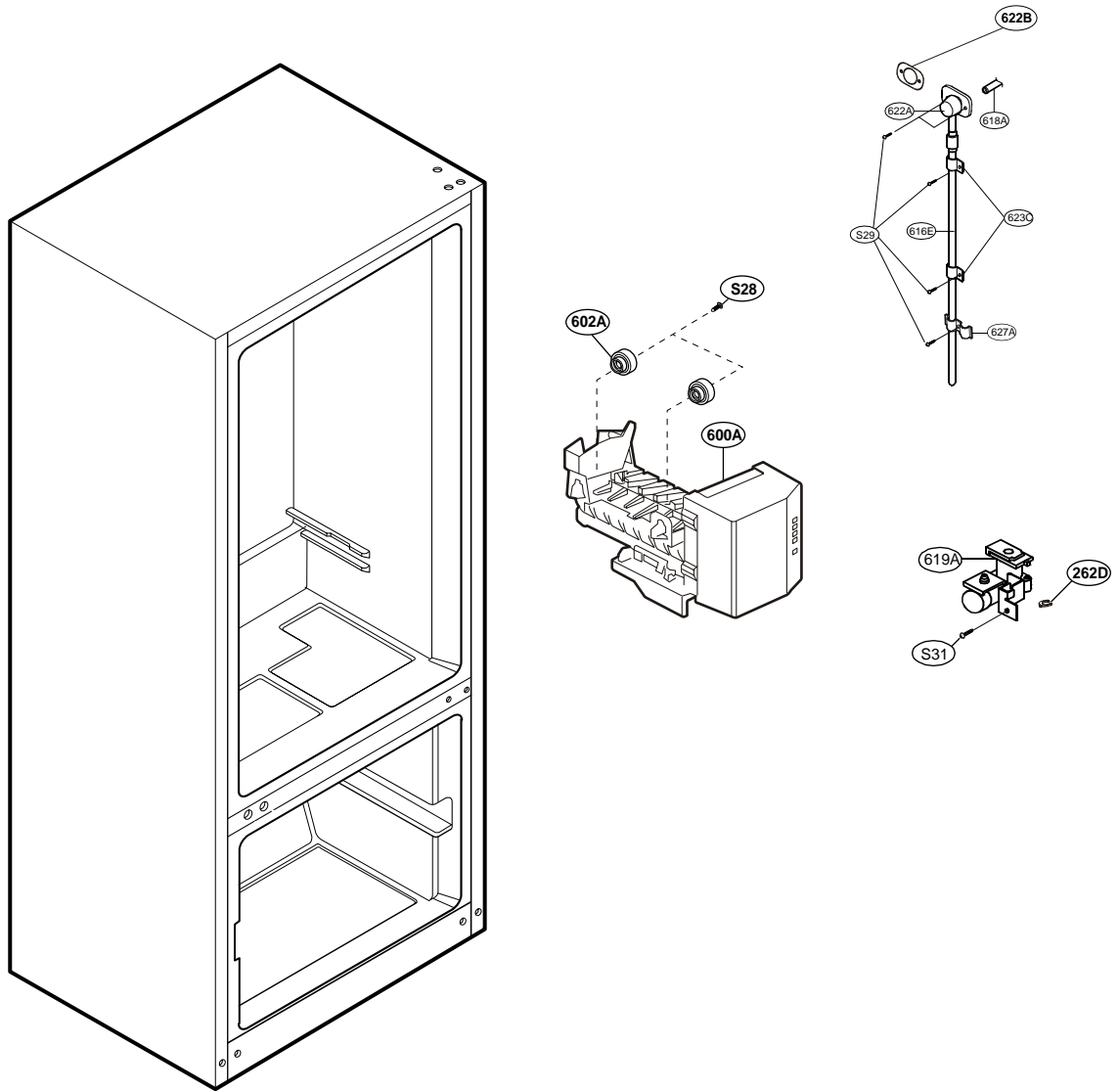


* : on some models

NOTE
Screws without location Number
only are representative.

WATER and ICE MAKER PARTS

CAUTION: Use the part number to order part, not the position number



Loc No.	Part No.	Description	Loc No.	Part No.	Description
103A	3650JJ2003E	HANDLE,REAR	282B	4775JJ8002A	HINGE ASSEMBLY,CENTER
103B	3650JJ2003A	HANDLE,REAR	282E	5006JJ2001A	CAP,HINGE
103C	3551JJ1015B	COVER ASSEMBLY,LOWER	282F	3806JL2006G	Decor,Duct
103E	5218JJ3001A	Rail,Slide	282H	5006JJ3004A	CAP,HINGE
103E	5218JJ3001A	Rail,Slide	286A	4984JJ3003A	BUSH
105A	5251JA3003B	TUBE ASSEMBLY,DRAIN	286A	4984JJ3003A	BUSH
105F	5070JJ3002A	Skirt,Lower	301A	5421JJ1001B	EVAPORATOR ASSEMBLY
106A	4779JA2003A	LEG ASSEMBLY,ADJUST	304A	3551JJ2008B	COVER ASSEMBLY,MACHINERY(REAR)
106B	4J00382C	WASHER,COMMON	305B	4580JJ3001A	Roller
120B	5209JJ1002B	DUCT ASSEMBLY,MULTI	305B	4580JJ3001A	Roller
125D	4930JJ3007A	HOLDER,BRACKET	305C	4J04238A	Pin,Common
128A	4975JJ2002A	GUIDE ASSEMBLY,RAIL	305C	4J04238A	Pin,Common
128B	4975JJ2002B	GUIDE ASSEMBLY,RAIL	307A	2521JJ8004A	Compressor,Set Assembly
131A	5074JJ1055A	BUCKET,ICE	308A	6748JJ8002A	THERMISTOR,PTC
135C	3550JJ2030A	COVER,GRILLE FAN	309A	6750JJ8002A	Overload Protect
136A	3391JJ1011B	TRAY ASSEMBLY,DRAWER	310A	3550JJ8003A	COVER,PTC
136B	3390JJ1090A	Tray,Drawer	312A	5040JA3031A	DAMPER,COMPRESSOR
140D	5026JJ2001G	Shelf,Net	314A	4620JA3009A	STOPPER,COMPRESSOR
140E	5026JJ2001H	Shelf,Net	315A	3103JJ1001J	BASE ASSEMBLY,COMPRESSOR
142B	5027JJ1039A	SHELF ASSEMBLY,REFRIGERATOR	317A	5851JJ2002B	DRIER ASSEMBLY
142B	5027JJ1039A	SHELF ASSEMBLY,REFRIGERATOR	318A	4930JJ3002A	HOLDER,DRIER
142D	5026JJ2001L	Shelf,Net	319A	3390JJ0003A	TRAY,DRIP
142E	5026JJ2001M	Shelf,Net	319C	4974JJ1009A	Guide,Fan
143E	5027JJ1013R	SHELF ASSEMBLY,REFRIGERATOR	323B	5403JJ1007A	CONDENSER ASSEMBLY,WIRE
143F	5027JJ1013S	SHELF ASSEMBLY,REFRIGERATOR	327A	5006JA3034A	CAP,DRAIN TUBE
145A	4930JJ2003A	Holder,Shelf	328A	4J03020A	DAMPER,PIPE
145B	4930JJ2004A	Holder,Shelf	329A	5901JJ1005A	FAN ASSEMBLY
145C	4975JJ2028C	GUIDE ASSEMBLY,RAIL	329C	5901JJ1004B	FAN ASSEMBLY
145F	4975JJ2028D	GUIDE ASSEMBLY,RAIL	332A	3531JJ1004A	GRILLE ASSEMBLY,FAN
146A	5047JJ1001A	CASE,LOWER	401A	6615JB2005C	CONTROLLER ASSEMBLY,CIRCUIT
147A	5005JJ2011E	BASKET ASSEMBLY,DOOR	404A	4680JK1002B	Motor,Unclassified
151A	3391JJ1018K	TRAY ASSEMBLY,VEGETABLE	405A	4811JJ2002B	BRACKET ASSEMBLY,MOTOR
151C	4940JJ2003D	KNOB,SHUTTER	405B	4810JA3007A	Bracket,Motor
154A	3550JL1006F	COVER,TV	405C	J756-00008B	Damper,Motor Support
155B	4980JJ1012A	SUPPORTER,COVER TV	406B	6600JB1004A	SWITCH,PUSH BUTTON
158A	3550JJ1040A	COVER,LAMP	409C	6912JK2002C	LAMP,INCANDESCENT
158E	3550JJ1051A	COVER,LAMP	410A	6621JK2002D	DRAWING,ASSEMBLY
167B	4890JL1002H	SHELF,GLASS	410G	0CZZJB2003H	CAPACITOR,FILM,BOX
168A	3550JJ1035A	COVER,MAGIC ROOM	411A	6411JK1006A	Power Cord Assembly
170A	3391JJ2004M	TRAY ASSEMBLY,MEAT	418A	5300JB1100J	HEATER,SHEATH
200A	3581JJ8715E	Door Assembly,Freezer	420A	4680JK1001B	Motor,Unclassified
201A	5433JJ0058W	Door Foam Assembly,Freezer	501A	6871JB1215A	PCB ASSEMBLY,MAIN
203A	4987JJ1004A	GASKET ASSEMBLY,DOOR	501F	3550JJ1042B	Cover,PCB
205B	5006JJ2014B	CAP,COVER	503B	3034JJ1002B	REFLECTOR,LAMP
205C	5006JJ2014A	CAP,COVER	503C	6871JB2047A	PCB ASSEMBLY,DISPLAY
212A	3650JJ1052C	Handle,Freezer	503D	3110JJ1005A	CASE,DISPLAY
212G	3846JD1019A	NAME PLATE	503E	3550JJ2031A	COVER,DISPLAY
212J	4620JJ2010C	STOPPER,HANDLE	503F	3111JJ1001W	Case Assembly,Display
230A	3581JJ8716E	Door Assembly,Refrigerator	503G	3806JL1032C	DECOR,CONTROL
231A	5433JJ0019C	Door Foam Assembly,Refrigerator	600A	5989JA0002Q	Ice Maker Assembly,Kit
233A	4987JJ1004B	GASKET ASSEMBLY,DOOR	602A	4930JA3037A	HOLDER,BRACKET
237A	4974JJ2012A	GUIDE,PITCHER	610A	3550JJ2020A	COVER,SENSOR
237C	4974JJ1021A	GUIDE,DRAWER	616E	5210JA3005N	Tube,Plastic
241A	3550JJ1015A	COVER,TRAY	618A	5210JJ3005B	TUBE,INJECT
241B	5004JJ1021A	BASKET,DOOR	619A	5220JA2009D	VALVE,WATER
241C	5005JJ2017A	BASKET ASSEMBLY,DOOR	619B	3550JJ2024A	COVER,VALVE
241D	5005JJ2020A	BASKET ASSEMBLY,DOOR	621B	ACJ30147004	Connector Assembly
241E	5005JJ2018A	BASKET ASSEMBLY,DOOR	621C	ACJ30147003	Connector Assembly
243A	4620JJ3006A	Stopper,Door	622A	5040JA2015A	RUBBER,INJECT
244A	3650JJ1053C	Handle,Refrigerator	622B	4810JA3036A	BRACKET,COVER
244E	5006JJ3016A	CAP,HANDLE	623C	4770JA3001A	Band
248E	3806JJ1048A	Decor,Tray	627A	4930JA3054A	HOLDER,PIPE
248F	3806JL2011B	DECOR,TRAY	903A	3550JJ0006A	Cover,Lower
249A	5098JJ1002B	CONNECTOR ASSEMBLY	903B	4930JJ2021A	HOLDER,COVER(LOWER)
249B	5098JJ1002A	CONNECTOR ASSEMBLY	903D	6500JK1003A	SENSOR
249E	5218JA1010E	Rail,Slide	903E	6500JK1004A	Sensor
249F	5218JA1010F	Rail,Slide	B01	1STZJA3004F	SCREW,CUSTOMZIED
249J	3550JJ1111A	COVER,CONNECTOR	S01	1SZZJJ3010A	SCREW,CUSTOMZIED
249K	3550JJ1111B	COVER,CONNECTOR	S22	3J05696C	SCREW,CUSTOMZIED

Loc No.	Part No.	Description	Loc No.	Part No.	Description
103A	3650JJ2003H	HANDLE,REAR	282B	4775JJ8002G	HINGE ASSEMBLY,CENTER
103B	3650JJ2003D	HANDLE,REAR	282E	5006JJ2001G	CAP,HINGE
103C	3551JJ1015H	COVER ASSEMBLY,LOWER	282F	3806JL2006G	Decor,Duct
103E	5218JJ3001A	Rail,Slide	282H	5006JJ3004F	CAP,HINGE
103E	5218JJ3001A	Rail,Slide	286A	4984JJ3003A	BUSH
105A	5251JA3003B	TUBE ASSEMBLY,DRAIN	286A	4984JJ3003A	BUSH
105F	5070JJ3002A	Skirt,Lower	301A	5421JJ1001B	EVAPORATOR ASSEMBLY
106A	4779JA2003A	LEG ASSEMBLY,ADJUST	304A	3551JJ2008B	COVER ASSEMBLY,MACHINERY(REAR)
106B	4J00382C	WASHER,COMMON	305B	4580JJ3001A	Roller
120B	5209JJ1002B	DUCT ASSEMBLY,MULTI	305B	4580JJ3001A	Roller
125D	4930JJ3007A	HOLDER,BRACKET	305C	4J04238A	Pin,Common
128A	4975JJ2002A	GUIDE ASSEMBLY,RAIL	305C	4J04238A	Pin,Common
128B	4975JJ2002B	GUIDE ASSEMBLY,RAIL	307A	2521JJ8004A	Compressor,Set Assembly
131A	5074JJ1055A	BUCKET,ICE	308A	6748JJ8002A	THERMISTOR,PTC
135C	3550JJ2030A	COVER,GRILLE FAN	309A	6750JJ8002A	Overload Protect
136A	3391JJ1011B	TRAY ASSEMBLY,DRAWER	310A	3550JJ8003A	COVER,PTC
136B	3390JJ1090A	Tray,Drawer	312A	5040JA3031A	DAMPER,COMPRESSOR
140D	5026JJ2001G	Shelf,Net	314A	4620JA3009A	STOPPER,COMPRESSOR
140E	5026JJ2001H	Shelf,Net	315A	3103JJ1001J	BASE ASSEMBLY,COMPRESSOR
142B	5027JJ1039A	SHELF ASSEMBLY,REFRIGERATOR	317A	5851JJ2002B	DRIER ASSEMBLY
142B	5027JJ1039A	SHELF ASSEMBLY,REFRIGERATOR	318A	4930JJ3002A	HOLDER,DRIER
142D	5026JJ2001L	Shelf,Net	319A	3390JJ0003A	TRAY,DRIP
142E	5026JJ2001M	Shelf,Net	319C	4974JJ1009A	Guide,Fan
143E	5027JJ1013R	SHELF ASSEMBLY,REFRIGERATOR	323B	5403JJ1007A	CONDENSER ASSEMBLY,WIRE
143F	5027JJ1013S	SHELF ASSEMBLY,REFRIGERATOR	327A	5006JA3034A	CAP,DRAIN TUBE
145A	4930JJ2003A	Holder,Shelf	328A	4J03020A	DAMPER,PIPE
145B	4930JJ2004A	Holder,Shelf	329A	5901JJ1005A	FAN ASSEMBLY
145C	4975JJ2028C	GUIDE ASSEMBLY,RAIL	329C	5901JJ1004B	FAN ASSEMBLY
145F	4975JJ2028D	GUIDE ASSEMBLY,RAIL	332A	3531JJ1004A	GRILLE ASSEMBLY,FAN
146A	5047JJ1001A	CASE,LOWER	401A	6615JB2005C	CONTROLLER ASSEMBLY,CIRCUIT
147A	5005JJ2011E	BASKET ASSEMBLY,DOOR	404A	4680JK1002B	Motor,Unclassified
151A	3391JJ1018K	TRAY ASSEMBLY,VEGETABLE	405A	4811JJ2002B	BRACKET ASSEMBLY,MOTOR
151C	4940JJ2003D	KNOB,SHUTTER	405B	4810JA3007A	Bracket,Motor
154A	3550JL1006F	COVER,TV	405C	J756-00008B	Damper,Motor Support
155B	4980JJ1012A	SUPPLIER,COVER TV	406B	6600JB1004A	SWITCH,PUSH BUTTON
158A	3550JJ1040A	COVER,LAMP	409C	6912JK2002C	LAMP,INCANDESCENT
158E	3550JJ1051A	COVER,LAMP	410A	6621JK2002D	DRAWING,ASSEMBLY
167B	4890JL1002H	SHELF,GLASS	410G	0CZZJB2003H	CAPACITOR,FILM,BOX
168A	3550JJ1035A	COVER,MAGIC ROOM	411A	6411JK1006A	Power Cord Assembly
170A	3391JJ2004M	TRAY ASSEMBLY,MEAT	418A	5300JB1100J	HEATER,SHEATH
200A	3581JJ8715H	Door Assembly,Freezer	420A	4680JK1001B	Motor,Unclassified
201A	5433JJ0022Y	Door Foam Assembly,Freezer	501A	6871JB1215A	PCB ASSEMBLY,MAIN
203A	4987JJ1004A	GASKET ASSEMBLY,DOOR	501F	3550JJ1042B	Cover,PCB
205B	5006JJ2014B	CAP,COVER	503B	3034JJ1002B	REFLECTOR,LAMP
205C	5006JJ2014A	CAP,COVER	503C	6871JB2047A	PCB ASSEMBLY,DISPLAY
212A	3650JJ1054A	Handle,Freezer	503D	3110JJ1005A	CASE,DISPLAY
212G	3846JD1019A	NAME PLATE	503E	3550JJ2031A	COVER,DISPLAY
212J	4620JJ2010C	STOPPER,HANDLE	503F	3111JJ1001W	Case Assembly,Display
230A	3581JJ8716H	Door Assembly,Refrigerator	503G	3806JL1032C	DECOR,CONTROL
231A	5433JJ0019W	DOOR FOAM ASSEMBLY,REFRIGERATOR	600A	5989JA0002Q	Ice Maker Assembly,Kit
233A	4987JJ1004B	GASKET ASSEMBLY,DOOR	602A	4930JA3037A	HOLDER,BRACKET
237A	4974JJ2012A	GUIDE,PITCHER	610A	3550JJ2020A	COVER,SENSOR
237C	4974JJ1021A	GUIDE,DRAWER	616E	5210JA3005N	Tube,Plastic
241A	3550JJ1015A	COVER,TRAY	618A	5210JJ3005B	TUBE,INJECT
241B	5004JJ1021A	BASKET,DOOR	619A	5220JA2009D	VALVE,WATER
241C	5005JJ2017A	BASKET ASSEMBLY,DOOR	619B	3550JJ2024A	COVER,VALVE
241D	5005JJ2020A	BASKET ASSEMBLY,DOOR	621B	ACJ30147004	Connector Assembly
241E	5005JJ2018A	BASKET ASSEMBLY,DOOR	621C	ACJ30147003	Connector Assembly
243A	4620JJ3006D	Stopper,Door	622A	5040JA2015A	RUBBER,INJECT
244A	3650JJ1055A	Handle,Refrigerator	622B	4810JA3036A	BRACKET,COVER
244E	5006JJ3016D	CAP,HANDLE	623C	4770JA3001A	Band
248E	3806JJ1048A	Decor,Tray	627A	4930JA3054A	HOLDER,PIPE
248F	3806JL2011B	DECOR,TRAY	903A	3550JJ0006D	Cover,Lower
249A	5098JJ1002B	CONNECTOR ASSEMBLY	903B	4930JJ2021A	HOLDER,COVER(LOWER)
249B	5098JJ1002A	CONNECTOR ASSEMBLY	903D	6500JK1003A	SENSOR
249E	5218JA1010E	Rail,Slide	903E	6500JK1004A	Sensor
249F	5218JA1010F	Rail,Slide	B01	1STZJA3004F	SCREW,CUSTOMZIED
249J	3550JJ1111A	COVER,CONNECTOR	S01	1SZZJJ3010A	SCREW,CUSTOMZIED
249K	3550JJ1111B	COVER,CONNECTOR	S22	3J05696C	SCREW,CUSTOMZIED

Loc No.	Part No.	Description	Loc No.	Part No.	Description
103A	3650JJ2003E	HANDLE,REAR	282B	4775JJ8002A	HINGE ASSEMBLY,CENTER
103B	3650JJ2003A	HANDLE,REAR	282E	5006JJ2001A	CAP,HINGE
103C	3551JJ1015B	COVER ASSEMBLY,LOWER	282F	3806JL2006G	Decor,Duct
103E	5218JJ3001A	Rail,Slide	282H	5006JJ3004A	CAP,HINGE
105A	5251JA3003B	TUBE ASSEMBLY,DRAIN	286A	4984JJ3003A	BUSH
105F	5070JJ3002A	Skirt,Lower	301A	5421JJ1001B	EVAPORATOR ASSEMBLY
106A	4779JA2003A	LEG ASSEMBLY,ADJUST	304A	3551JJ2008B	COVER ASSEMBLY,MACHINERY(REAR)
106B	4J00382C	WASHER,COMMON	305B	4580JJ3001A	Roller
120B	5209JJ1002B	DUCT ASSEMBLY,MULTI	305C	4J04238A	Pin,Common
125D	4930JJ3007A	HOLDER,BRACKET	307A	2521JJ8004A	Compressor,Set Assembly
128A	4975JJ2002A	GUIDE ASSEMBLY,RAIL	308A	6748JJ8002A	THERMISTOR,PTC
128B	4975JJ2002B	GUIDE ASSEMBLY,RAIL	309A	6750JJ8002A	Overload Protect
131A	5074JJ1055A	BUCKET,ICE	310A	3550JJ8003A	COVER,PTC
135C	3550JJ2030A	COVER,GRILLE FAN	312A	5040JA3031A	DAMPER,COMPRESSOR
136A	3391JJ1011B	TRAY ASSEMBLY,DRAWER	314A	4620JA3009A	STOPPER,COMPRESSOR
136B	3390JJ1090A	Tray,Drawer	315A	3103JJ1001J	BASE ASSEMBLY,COMPRESSOR
140D	5026JJ2001G	Shelf,Net	317A	5851JJ2002B	DRIER ASSEMBLY
140E	5026JJ2001H	Shelf,Net	318A	4930JJ3002A	HOLDER,DRIER
142B	5027JJ1039A	SHELF ASSEMBLY,REFRIGERATOR	319A	3390JJ0003A	TRAY,DRIP
142D	5026JJ2001L	Shelf,Net	319C	4974JJ1009A	Guide,Fan
142E	5026JJ2001M	Shelf,Net	323B	5403JJ1007A	CONDENSER ASSEMBLY,WIRE
143E	5027JJ1013R	SHELF ASSEMBLY,REFRIGERATOR	327A	5006JA3034A	CAP,DRAIN TUBE
143F	5027JJ1013S	SHELF ASSEMBLY,REFRIGERATOR	328A	4J03020A	DAMPER,PIPE
145A	4930JJ2003A	Holder,Shelf	329A	5901JJ1005A	FAN ASSEMBLY
145B	4930JJ2004A	Holder,Shelf	329C	5901JJ1004B	FAN ASSEMBLY
145C	4975JJ2028C	GUIDE ASSEMBLY,RAIL	332A	3531JJ1004A	GRILLE ASSEMBLY,FAN
145F	4975JJ2028D	GUIDE ASSEMBLY,RAIL	401A	6615JB2005C	CONTROLLER ASSEMBLY,CIRCUIT
147A	5005JJ2011E	BASKET ASSEMBLY,DOOR	404A	4680JK1002B	Motor,Unclassified
151A	3391JJ1018K	TRAY ASSEMBLY,VEGETABLE	405A	4811JJ2002B	BRACKET ASSEMBLY,MOTOR
151C	4940JJ2003D	KNOB,SHUTTER	405B	4810JA3007A	Bracket,Motor
154A	3550JL1006F	COVER,TV	405C	J756-00008B	Damper,Motor Support
155B	4980JJ1012A	SUPPORTER,COVER TV	406B	6600JB1004A	SWITCH,PUSH BUTTON
158A	3550JJ1040A	COVER,LAMP	409C	6912JK2002C	LAMP,INCANDESCENT
158E	3550JJ1051A	COVER,LAMP	410A	6621JK2002D	DRAWING,ASSEMBLY
167B	4890JL1002H	SHELF,GLASS	410G	0CZZJB2003H	CAPACITOR,FILM,BOX
168A	3550JJ1035A	COVER,MAGIC ROOM	411A	6411JK1006A	Power Cord Assembly
170A	3391JJ2004M	TRAY ASSEMBLY,MEAT	418A	5300JB1100J	HEATER,SHEATH
200A	3581JJ8715E	Door Assembly,Freezer	420A	4680JK1001B	Motor,Unclassified
201A	5433JJ0058W	Door Foam Assembly,Freezer	501A	6871JB1215A	PCB ASSEMBLY,MAIN
203A	4987JJ1004A	GASKET ASSEMBLY,DOOR	501F	3550JJ1042B	Cover,PCB
205B	5006JJ2014B	CAP,COVER	503B	3034JJ1002B	REFLECTOR,LAMP
205C	5006JJ2014A	CAP,COVER	503C	6871JB2047A	PCB ASSEMBLY,DISPLAY
212A	3650JJ1052C	Handle,Freezer	503D	3110JJ1005A	CASE,DISPLAY
212G	3846JD1019A	NAME PLATE	503E	3550JJ2031A	COVER,DISPLAY
212J	4620JJ2010C	STOPPER,HANDLE	503F	3111JJ1001W	Case Assembly,Display
230A	3581JJ8716E	Door Assembly,Refrigerator	503G	3806JL1032C	DECOR,CONTROL
231A	5433JJ0019C	Door Foam Assembly,Refrigerator	600A	5989JA0002Q	Ice Maker Assembly,Kit
233A	4987JJ1004B	GASKET ASSEMBLY,DOOR	602A	4930JA3037A	HOLDER,BRACKET
237A	4974JJ2012A	GUIDE,PITCHER	610A	3550JJ2020A	COVER,SENSOR
237C	4974JJ1021A	GUIDE,DRAWER	616E	5210JA3005N	Tube,Plastic
241A	3550JJ1015A	COVER,TRAY	618A	5210JJ3005B	TUBE,INJECT
241B	5004JJ1021A	BASKET,DOOR	619A	5220JA2009D	VALVE,WATER
241C	5005JJ2017A	BASKET ASSEMBLY,DOOR	619B	3550JJ2024A	COVER,VALVE
241D	5005JJ2020A	BASKET ASSEMBLY,DOOR	621B	ACJ30147004	Connector Assembly
241E	5005JJ2018A	BASKET ASSEMBLY,DOOR	621C	ACJ30147003	Connector Assembly
243A	4620JJ3006A	Stopper,Door	622A	5040JA2015A	RUBBER,INJECT
244A	3650JJ1053C	Handle,Refrigerator	622B	4810JA3036A	BRACKET,COVER
244E	5006JJ3016A	CAP,HANDLE	623C	4770JA3001A	Band
248E	3806JJ1048A	Decor,Tray	627A	4930JA3054A	HOLDER,PIPE
248F	3806JL2011B	DECOR,TRAY	903A	3550JJ0006A	Cover,Lower
249A	5098JJ1002B	CONNECTOR ASSEMBLY	903B	4930JJ2021A	HOLDER,COVER(LOWER)
249B	5098JJ1002A	CONNECTOR ASSEMBLY	903D	6500JK1003A	SENSOR
249E	5218JA1010E	Rail,Slide	903E	6500JK1004A	Sensor
249F	5218JA1010F	Rail,Slide	B01	1STZJA3004F	SCREW,CUSTOMZIED
249J	3550JJ1111A	COVER,CONNECTOR	S01	1SZZJJ3010A	SCREW,CUSTOMZIED
249K	3550JJ1111B	COVER,CONNECTOR	S22	3J05696C	SCREW,CUSTOMZIED
250A	4270JJ3001E	Bar	S24	1SZZJA3011B	SCREW,CUSTOMZIED
250B	4403JJ3001A	CONNECTOR ASSEMBLY	S27	4J01424C	SCREW,CUSTOMZIED
262D	4004JA3002A	CLIP	S28	3J05696W	SCREW,CUSTOMZIED

Loc No.	Part No.	Description	Loc No.	Part No.	Description
103A	3650JJ2003F	HANDLE,REAR	282B	4775JJ8002B	HINGE ASSEMBLY,CENTER
103B	3650JJ2003B	HANDLE,REAR	282E	5006JJ2001E	CAP,HINGE
103C	3551JJ1015D	COVER ASSEMBLY,LOWER	282F	3806JL2006G	Decor,Duct
103E	5218JJ3001A	Rail,Slide	282H	5006JJ3004D	CAP,HINGE
105A	5251JA3003B	TUBE ASSEMBLY,DRAIN	286A	4984JJ3003A	BUSH
105F	5070JJ3002A	Skirt,Lower	301A	5421JJ1001B	EVAPORATOR ASSEMBLY
106A	4779JA2003A	LEG ASSEMBLY,ADJUST	304A	3551JJ2008B	COVER ASSEMBLY,MACHINERY(REAR)
106B	4J00382C	WASHER,COMMON	305B	4580JJ3001A	Roller
120B	5209JJ1002B	DUCT ASSEMBLY,MULTI	305C	4J04238A	Pin,Common
125D	4930JJ3007A	HOLDER,BRACKET	307A	2521JJ8004A	Compressor,Set Assembly
128A	4975JJ2002A	GUIDE ASSEMBLY,RAIL	308A	6748JJ8002A	THERMISTOR,PTC
128B	4975JJ2002B	GUIDE ASSEMBLY,RAIL	309A	6750JJ8002A	Overload Protect
131A	5074JJ1055A	BUCKET,ICE	310A	3550JJ8003A	COVER,PTC
135C	3550JJ2030A	COVER,GRILLE FAN	312A	5040JA3031A	DAMPER,COMPRESSOR
136A	3391JJ1011B	TRAY ASSEMBLY,DRAWER	314A	4620JA3009A	STOPPER,COMPRESSOR
136B	3390JJ1090A	Tray,Drawer	315A	3103JJ1001J	BASE ASSEMBLY,COMPRESSOR
140D	5026JJ2001G	Shelf,Net	317A	5851JJ2002B	DRIER ASSEMBLY
140E	5026JJ2001H	Shelf,Net	318A	4930JJ3002A	HOLDER,DRIER
142B	5027JJ1039A	SHELF ASSEMBLY,REFRIGERATOR	319A	3390JJ0003A	TRAY,DRIP
142D	5026JJ2001L	Shelf,Net	319C	4974JJ1009A	Guide,Fan
142E	5026JJ2001M	Shelf,Net	323B	5403JJ1007A	CONDENSER ASSEMBLY,WIRE
143E	5027JJ1013R	SHELF ASSEMBLY,REFRIGERATOR	327A	5006JA3034A	CAP,DRAIN TUBE
143F	5027JJ1013S	SHELF ASSEMBLY,REFRIGERATOR	328A	4J03020A	DAMPER,PIPE
145A	4930JJ2003A	Holder,Shelf	329A	5901JJ1005A	FAN ASSEMBLY
145B	4930JJ2004A	Holder,Shelf	329C	5901JJ1004B	FAN ASSEMBLY
145C	4975JJ2028C	GUIDE ASSEMBLY,RAIL	332A	3531JJ1004A	GRILLE ASSEMBLY,FAN
145F	4975JJ2028D	GUIDE ASSEMBLY,RAIL	401A	6615JB2005C	CONTROLLER ASSEMBLY,CIRCUIT
147A	5005JJ2011E	BASKET ASSEMBLY,DOOR	404A	4680JK1002B	Motor,Unclassified
151A	3391JJ1018K	TRAY ASSEMBLY,VEGETABLE	405A	4811JJ2002B	BRACKET ASSEMBLY,MOTOR
151C	4940JJ2003D	KNOB,SHUTTER	405B	4810JA3007A	Bracket,Motor
154A	3550JL1006F	COVER,TV	405C	J756-00008B	Damper,Motor Support
155B	4980JJ1012A	SUPPORTER,COVER TV	406B	6600JB1004A	SWITCH,PUSH BUTTON
158A	3550JJ1040A	COVER,LAMP	409C	6912JK2002C	LAMP,INCANDESCENT
158E	3550JJ1051A	COVER,LAMP	410A	6621JK2002D	DRAWING,ASSEMBLY
167B	4890JL1002H	SHELF,GLASS	410G	0CZZJB2003H	CAPACITOR,FILM,BOX
168A	3550JJ1035A	COVER,MAGIC ROOM	411A	6411JK1006A	Power Cord Assembly
170A	3391JJ2004M	TRAY ASSEMBLY,MEAT	418A	5300JB1100J	HEATER,SHEATH
200A	3581JJ8715F	Door Assembly,Freezer	420A	4680JK1001B	Motor,Unclassified
201A	5433JJ0058X	Door Foam Assembly,Freezer	501A	6871JB1215A	PCB ASSEMBLY,MAIN
203A	4987JJ1004A	GASKET ASSEMBLY,DOOR	501F	3550JJ1042B	Cover,PCB
205B	5006JJ2014B	CAP,COVER	503B	3034JJ1002B	REFLECTOR,LAMP
205C	5006JJ2014A	CAP,COVER	503C	6871JB2047A	PCB ASSEMBLY,DISPLAY
212A	3650JJ1052D	Handle,Freezer	503D	3110JJ1005A	CASE,DISPLAY
212G	3846JD1019A	NAME PLATE	503E	3550JJ2031A	COVER,DISPLAY
212J	4620JJ2010C	STOPPER,HANDLE	503F	3111JJ1001W	Case Assembly,Display
230A	3581JJ8716F	Door Assembly,Refrigerator	503G	3806JL1032C	DECOR,CONTROL
231A	5433JJ0019F	Door Foam Assembly,Refrigerator	600A	5989JA0002Q	Ice Maker Assembly,Kit
233A	4987JJ1004B	GASKET ASSEMBLY,DOOR	602A	4930JA3037A	HOLDER,BRACKET
237A	4974JJ2012A	GUIDE,PITCHER	610A	3550JJ2020A	COVER,SENSOR
237C	4974JJ1021A	GUIDE,DRAWER	616E	5210JA3005N	Tube,Plastic
241A	3550JJ1015A	COVER,TRAY	618A	5210JJ3005B	TUBE,INJECT
241B	5004JJ1021A	BASKET,DOOR	619A	5220JA2009D	VALVE,WATER
241C	5005JJ2017A	BASKET ASSEMBLY,DOOR	619B	3550JJ2024A	COVER,VALVE
241D	5005JJ2020A	BASKET ASSEMBLY,DOOR	621B	ACJ30147004	Connector Assembly
241E	5005JJ2018A	BASKET ASSEMBLY,DOOR	621C	ACJ30147003	Connector Assembly
243A	4620JJ3006B	Stopper,Door	622A	5040JA2015A	RUBBER,INJECT
244A	3650JJ1053D	Handle,Refrigerator	622B	4810JA3036A	BRACKET,COVER
244E	5006JJ3016B	CAP,HANDLE	623C	4770JA3001A	Band
248E	3806JJ1048A	Decor,Tray	627A	4930JA3054A	HOLDER,PIPE
248F	3806JL2011B	DECOR,TRAY	903A	3550JJ0006B	Cover,Lower
249A	5098JJ1002B	CONNECTOR ASSEMBLY	903B	4930JJ2021A	HOLDER,COVER(LOWER)
249B	5098JJ1002A	CONNECTOR ASSEMBLY	903D	6500JK1003A	SENSOR
249E	5218JA1010E	Rail,Slide	903E	6500JK1004A	Sensor
249F	5218JA1010F	Rail,Slide	B01	1STZJA3004F	SCREW,CUSTOMZIED
249J	3550JJ1111A	COVER,CONNECTOR	S01	1SZZJJ3010A	SCREW,CUSTOMZIED
249K	3550JJ1111B	COVER,CONNECTOR	S22	3J05696C	SCREW,CUSTOMZIED
250A	4270JJ3001E	Bar	S24	1SZZJA3011B	SCREW,CUSTOMZIED
250B	4403JJ3001A	CONNECTOR ASSEMBLY	S27	4J01424C	SCREW,CUSTOMZIED
262D	4004JA3002A	CLIP	S28	3J05696W	SCREW,CUSTOMZIED

Loc No.	Part No.	Description	Loc No.	Part No.	Description
103A	3650JJ2003M	HANDLE,REAR	282B	4775JJ8002C	HINGE ASSEMBLY,CENTER
103B	3650JJ2003L	HANDLE,REAR	282E	5006JJ2001F	CAP,HINGE
103C	3551JJ1015F	COVER ASSEMBLY,LOWER	282F	3806JL2006G	Decor,Duct
103E	5218JJ3001A	Rail,Slide	282H	5006JJ3004E	CAP,HINGE
105A	5251JA3003B	TUBE ASSEMBLY,DRAIN	286A	4984JJ3003A	BUSH
105F	5070JJ3002A	Skirt,Lower	301A	5421JJ1001B	EVAPORATOR ASSEMBLY
106A	4779JA2003A	LEG ASSEMBLY,ADJUST	304A	3551JJ2008B	COVER ASSEMBLY,MACHINERY(REAR)
106B	4J00382C	WASHER,COMMON	305B	4580JJ3001A	Roller
120B	5209JJ1002B	DUCT ASSEMBLY,MULTI	305C	4J04238A	Pin,Common
125D	4930JJ3007A	HOLDER,BRACKET	307A	2521JJ8004A	Compressor,Set Assembly
128A	4975JJ2002A	GUIDE ASSEMBLY,RAIL	308A	6748JJ8002A	THERMISTOR,PTC
128B	4975JJ2002B	GUIDE ASSEMBLY,RAIL	309A	6750JJ8002A	Overload Protect
131A	5074JJ1055A	BUCKET,ICE	310A	3550JJ8003A	COVER,PTC
135C	3550JJ2030A	COVER,GRILLE FAN	312A	5040JA3031A	DAMPER,COMPRESSOR
136A	3391JJ1011B	TRAY ASSEMBLY,DRAWER	314A	4620JA3009A	STOPPER,COMPRESSOR
136B	3390JJ1090A	Tray,Drawer	315A	3103JJ1001J	BASE ASSEMBLY,COMPRESSOR
140D	5026JJ2001G	Shelf,Net	317A	5851JJ2002B	DRIER ASSEMBLY
140E	5026JJ2001H	Shelf,Net	318A	4930JJ3002A	HOLDER,DRIER
142B	5027JJ1039A	SHELF ASSEMBLY,REFRIGERATOR	319A	3390JJ0003A	TRAY,DRIP
142D	5026JJ2001L	Shelf,Net	319C	4974JJ1009A	Guide,Fan
142E	5026JJ2001M	Shelf,Net	323B	5403JJ1007A	CONDENSER ASSEMBLY,WIRE
143E	5027JJ1013R	SHELF ASSEMBLY,REFRIGERATOR	327A	5006JA3034A	CAP,DRAIN TUBE
143F	5027JJ1013S	SHELF ASSEMBLY,REFRIGERATOR	328A	4J03020A	DAMPER,PIPE
145A	4930JJ2003A	Holder,Shelf	329A	5901JJ1005A	FAN ASSEMBLY
145B	4930JJ2004A	Holder,Shelf	329C	5901JJ1004B	FAN ASSEMBLY
145C	4975JJ2028C	GUIDE ASSEMBLY,RAIL	332A	3531JJ1004A	GRILLE ASSEMBLY,FAN
145F	4975JJ2028D	GUIDE ASSEMBLY,RAIL	401A	6615JB2005C	CONTROLLER ASSEMBLY,CIRCUIT
147A	5005JJ2011E	BASKET ASSEMBLY,DOOR	404A	4680JK1002B	Motor,Unclassified
151A	3391JJ1018K	TRAY ASSEMBLY,VEGETABLE	405A	4811JJ2002B	BRACKET ASSEMBLY,MOTOR
151C	4940JJ2003D	KNOB,SHUTTER	405B	4810JA3007A	Bracket,Motor
154A	3550JL1006F	COVER,TV	405C	J756-00008B	Damper,Motor Support
155B	4980JJ1012A	SUPPORTER,COVER TV	406B	6600JB1004A	SWITCH,PUSH BUTTON
158A	3550JJ1040A	COVER,LAMP	409C	6912JK2002C	LAMP,INCANDESCENT
158E	3550JJ1051A	COVER,LAMP	410A	6621JK2002D	DRAWING,ASSEMBLY
167B	4890JL1002H	SHELF,GLASS	410G	0CZZJB2003H	CAPACITOR,FILM,BOX
168A	3550JJ1035A	COVER,MAGIC ROOM	411A	6411JK1006A	Power Cord Assembly
170A	3391JJ2004M	TRAY ASSEMBLY,MEAT	418A	5300JB1100J	HEATER,SHEATH
200A	3581JJ8715G	Door Assembly,Freezer	420A	4680JK1001B	Motor,Unclassified
201A	5433JJ0058Y	Door Foam Assembly,Freezer	501A	6871JB1215A	PCB ASSEMBLY,MAIN
203A	4987JJ1004E	GASKET ASSEMBLY,DOOR	501F	3550JJ1042B	Cover,PCB
205B	5006JJ2014B	CAP,COVER	503B	3034JJ1002B	REFLECTOR,LAMP
205C	5006JJ2014A	CAP,COVER	503C	6871JB2047A	PCB ASSEMBLY,DISPLAY
212A	3650JJ1054D	Handle,Freezer	503D	3110JJ1005A	CASE,DISPLAY
212G	3846JD1019A	NAME PLATE	503E	3550JJ2031A	COVER,DISPLAY
212J	4620JJ2010C	STOPPER,HANDLE	503F	3111JJ1001W	Case Assembly,Display
230A	3581JJ8716G	Door Assembly,Refrigerator	503G	3806JL1032C	DECOR,CONTROL
231A	5433JJ0019H	Door Foam Assembly,Refrigerator	600A	5989JA0002Q	Ice Maker Assembly,Kit
233A	4987JJ1004F	GASKET ASSEMBLY,DOOR	602A	4930JA3037A	HOLDER,BRACKET
237A	4974JJ2012A	GUIDE,PITCHER	610A	3550JJ2020A	COVER,SENSOR
237C	4974JJ1021A	GUIDE,DRAWER	616E	5210JA3005N	Tube,Plastic
241A	3550JJ1015A	COVER,TRAY	618A	5210JJ3005B	TUBE,INJECT
241B	5004JJ1021A	BASKET,DOOR	619A	5220JA2009D	VALVE,WATER
241C	5005JJ2017A	BASKET ASSEMBLY,DOOR	619B	3550JJ2024A	COVER,VALVE
241D	5005JJ2020A	BASKET ASSEMBLY,DOOR	621B	ACJ30147004	Connector Assembly
241E	5005JJ2018A	BASKET ASSEMBLY,DOOR	621C	ACJ30147003	Connector Assembly
243A	4620JJ3006C	Stopper,Door	622A	5040JA2015A	RUBBER,INJECT
244A	3650JJ1055D	Handle,Refrigerator	622B	4810JA3036A	BRACKET,COVER
244E	5006JJ3016C	CAP,HANDLE	623C	4770JA3001A	Band
248E	3806JJ1048A	Decor,Tray	627A	4930JA3054A	HOLDER,PIPE
248F	3806JL2011B	DECOR,TRAY	903A	3550JJ0006C	Cover,Lower
249A	5098JJ1002B	CONNECTOR ASSEMBLY	903B	4930JJ2021A	HOLDER,COVER(LOWER)
249B	5098JJ1002A	CONNECTOR ASSEMBLY	903D	6500JK1003A	SENSOR
249E	5218JA1010E	Rail,Slide	903E	6500JK1004A	Sensor
249F	5218JA1010F	Rail,Slide	B01	1STZJA3004F	SCREW,CUSTOMZIED
249J	3550JJ1111A	COVER,CONNECTOR	S01	1SZZJJ3010A	SCREW,CUSTOMZIED
249K	3550JJ1111B	COVER,CONNECTOR	S22	3J05696C	SCREW,CUSTOMZIED
250A	4270JJ3001E	Bar	S24	1SZZJA3011B	SCREW,CUSTOMZIED
250B	4403JJ3001A	CONNECTOR ASSEMBLY	S27	4J01424C	SCREW,CUSTOMZIED
262D	4004JA3002A	CLIP	S28	3J05696W	SCREW,CUSTOMZIED

Loc No.	Part No.	Description	Loc No.	Part No.	Description
103A	3650JJ2003H	HANDLE,REAR	282B	4775JJ8002G	HINGE ASSEMBLY,CENTER
103B	3650JJ2003D	HANDLE,REAR	282E	5006JJ2001G	CAP,HINGE
103C	3551JJ1015H	COVER ASSEMBLY,LOWER	282F	3806JL2006G	Decor,Duct
103E	5218JJ3001A	Rail,Slide	282H	5006JJ3004F	CAP,HINGE
105A	5251JA3003B	TUBE ASSEMBLY,DRAIN	286A	4984JJ3003A	BUSH
105F	5070JJ3002A	Skirt,Lower	301A	5421JJ1001B	EVAPORATOR ASSEMBLY
106A	4779JA2003A	LEG ASSEMBLY,ADJUST	304A	3551JJ2008B	COVER ASSEMBLY,MACHINERY(REAR)
106B	4J00382C	WASHER,COMMON	305B	4580JJ3001A	Roller
120B	5209JJ1002B	DUCT ASSEMBLY,MULTI	305C	4J04238A	Pin,Common
125D	4930JJ3007A	HOLDER,BRACKET	307A	2521JJ8004A	Compressor,Set Assembly
128A	4975JJ2002A	GUIDE ASSEMBLY,RAIL	308A	6748JJ8002A	THERMISTOR,PTC
128B	4975JJ2002B	GUIDE ASSEMBLY,RAIL	309A	6750JJ8002A	Overload Protect
131A	5074JJ1055A	BUCKET,ICE	310A	3550JJ8003A	COVER,PTC
135C	3550JJ2030A	COVER,GRILLE FAN	312A	5040JA3031A	DAMPER,COMPRESSOR
136A	3391JJ1011B	TRAY ASSEMBLY,DRAWER	314A	4620JA3009A	STOPPER,COMPRESSOR
136B	3390JJ1090A	Tray,Drawer	315A	3103JJ1001J	BASE ASSEMBLY,COMPRESSOR
140D	5026JJ2001G	Shelf,Net	317A	5851JJ2002B	DRIER ASSEMBLY
140E	5026JJ2001H	Shelf,Net	318A	4930JJ3002A	HOLDER,DRIER
142B	5027JJ1039A	SHELF ASSEMBLY,REFRIGERATOR	319A	3390JJ0003A	TRAY,DRIP
142D	5026JJ2001L	Shelf,Net	319C	4974JJ1009A	Guide,Fan
142E	5026JJ2001M	Shelf,Net	323B	5403JJ1007A	CONDENSER ASSEMBLY,WIRE
143E	5027JJ1013R	SHELF ASSEMBLY,REFRIGERATOR	327A	5006JA3034A	CAP,DRAIN TUBE
143F	5027JJ1013S	SHELF ASSEMBLY,REFRIGERATOR	328A	4J03020A	DAMPER,PIPE
145A	4930JJ2003A	Holder,Shelf	329A	5901JJ1005A	FAN ASSEMBLY
145B	4930JJ2004A	Holder,Shelf	329C	5901JJ1004B	FAN ASSEMBLY
145C	4975JJ2028C	GUIDE ASSEMBLY,RAIL	332A	3531JJ1004A	GRILLE ASSEMBLY,FAN
145F	4975JJ2028D	GUIDE ASSEMBLY,RAIL	401A	6615JB2005C	CONTROLLER ASSEMBLY,CIRCUIT
147A	5005JJ2011E	BASKET ASSEMBLY,DOOR	404A	4680JK1002B	Motor,Unclassified
151A	3391JJ1018K	TRAY ASSEMBLY,VEGETABLE	405A	4811JJ2002B	BRACKET ASSEMBLY,MOTOR
151C	4940JJ2003D	KNOB,SHUTTER	405B	4810JA3007A	Bracket,Motor
154A	3550JL1006F	COVER,TV	405C	J756-00008B	Damper,Motor Support
155B	4980JJ1012A	SUPPORTER,COVER TV	406B	6600JB1004A	SWITCH,PUSH BUTTON
158A	3550JJ1040A	COVER,LAMP	409C	6912JK2002C	LAMP,INCANDESCENT
158E	3550JJ1051A	COVER,LAMP	410A	6621JK2002D	DRAWING,ASSEMBLY
167B	4890JL1002H	SHELF,GLASS	410G	0CZZJB2003H	CAPACITOR,FILM,BOX
168A	3550JJ1035A	COVER,MAGIC ROOM	411A	6411JK1006A	Power Cord Assembly
170A	3391JJ2004M	TRAY ASSEMBLY,MEAT	418A	5300JB1100J	HEATER,SHEATH
200A	3581JJ8715H	Door Assembly,Freezer	420A	4680JK1001B	Motor,Unclassified
201A	5433JJ0022Y	Door Foam Assembly,Freezer	501A	6871JB1215A	PCB ASSEMBLY,MAIN
203A	4987JJ1004A	GASKET ASSEMBLY,DOOR	501F	3550JJ1042B	Cover,PCB
205B	5006JJ2014B	CAP,COVER	503B	3034JJ1002B	REFLECTOR,LAMP
205C	5006JJ2014A	CAP,COVER	503C	6871JB2047A	PCB ASSEMBLY,DISPLAY
212A	3650JJ1054A	Handle,Freezer	503D	3110JJ1005A	CASE,DISPLAY
212G	3846JD1019A	NAME PLATE	503E	3550JJ2031A	COVER,DISPLAY
212J	4620JJ2010C	STOPPER,HANDLE	503F	3111JJ1001W	Case Assembly,Display
230A	3581JJ8716H	Door Assembly,Refrigerator	503G	3806JL1032C	DECOR,CONTROL
231A	5433JJ0019W	DOOR FOAM ASSEMBLY,REFRIGERATOR	600A	5989JA0002Q	Ice Maker Assembly,Kit
233A	4987JJ1004B	GASKET ASSEMBLY,DOOR	602A	4930JA3037A	HOLDER,BRACKET
237A	4974JJ2012A	GUIDE,PITCHER	610A	3550JJ2020A	COVER,SENSOR
237C	4974JJ1021A	GUIDE,DRAWER	616E	5210JA3005N	Tube,Plastic
241A	3550JJ1015A	COVER,TRAY	618A	5210JJ3005B	TUBE,INJECT
241B	5004JJ1021A	BASKET,DOOR	619A	5220JA2009D	VALVE,WATER
241C	5005JJ2017A	BASKET ASSEMBLY,DOOR	619B	3550JJ2024A	COVER,VALVE
241D	5005JJ2020A	BASKET ASSEMBLY,DOOR	621B	ACJ30147004	Connector Assembly
241E	5005JJ2018A	BASKET ASSEMBLY,DOOR	621C	ACJ30147003	Connector Assembly
243A	4620JJ3006D	Stopper,Door	622A	5040JA2015A	RUBBER,INJECT
244A	3650JJ1055A	Handle,Refrigerator	622B	4810JA3036A	BRACKET,COVER
244E	5006JJ3016D	CAP,HANDLE	623C	4770JA3001A	Band
248E	3806JJ1048A	Decor,Tray	627A	4930JA3054A	HOLDER,PIPE
248F	3806JL2011B	DECOR,TRAY	903A	3550JJ0006D	Cover,Lower
249A	5098JJ1002B	CONNECTOR ASSEMBLY	903B	4930JJ2021A	HOLDER,COVER(LOWER)
249B	5098JJ1002A	CONNECTOR ASSEMBLY	903D	6500JK1003A	SENSOR
249E	5218JA1010E	Rail,Slide	903E	6500JK1004A	Sensor
249F	5218JA1010F	Rail,Slide	B01	1STZJA3004F	SCREW,CUSTOMZIED
249J	3550JJ1111A	COVER,CONNECTOR	S01	1SZJJ3010A	SCREW,CUSTOMZIED
249K	3550JJ1111B	COVER,CONNECTOR	S22	3J05696C	SCREW,CUSTOMZIED
250A	4270JJ3001E	Bar	S24	1SZJA3011B	SCREW,CUSTOMZIED
250B	4403JJ3001A	CONNECTOR ASSEMBLY	S27	4J01424C	SCREW,CUSTOMZIED
262D	4004JA3002A	CLIP	S28	3J05696W	SCREW,CUSTOMZIED

Loc No.	Part No.	Description	Loc No.	Part No.	Description
103A	3650JJ2003E	HANDLE,REAR	281B	4775JJ2003B	HINGE ASSEMBLY,UPPER
103B	3650JJ2003A	HANDLE,REAR	282B	4775JJ8002A	HINGE ASSEMBLY,CENTER
103C	3551JJ1015A	COVER ASSEMBLY,LOWER	282E	5006JJ2001A	CAP,HINGE
103E	5218JJ3001A	Rail,Slide	282F	3806JL2006G	Decor,Duct
105A	5251JA3003B	TUBE ASSEMBLY,DRAIN	282H	5006JJ3004A	CAP,HINGE
105F	5070JJ3002A	Skirt,Lower	286A	4984JJ3003A	BUSH
106A	4779JA2003A	LEG ASSEMBLY,ADJUST	301A	5421JJ1001A	EVAPORATOR ASSEMBLY
106B	4J00382C	WASHER,COMMON	304A	3551JJ2008A	COVER ASSEMBLY,MACHINERY(REAR)
120B	5209JJ1002B	DUCT ASSEMBLY,MULTI	305B	4580JJ3001A	Roller
125D	4930JJ3007A	HOLDER,BRACKET	305C	4J04238A	Pin,Common
128A	4975JJ2002A	GUIDE ASSEMBLY,RAIL	307A	2521JJ8004A	Compressor,Set Assembly
128B	4975JJ2002B	GUIDE ASSEMBLY,RAIL	308A	6748JJ8002A	THERMISTOR,PTC
131A	5074JJ1055A	BUCKET,ICE	309A	6750JJ8002A	Overload Protect
135C	3550JJ2030A	COVER,GRILLE FAN	310A	3550JJ8003A	COVER,PTC
136A	3391JJ1011A	TRAY ASSEMBLY,DRAWER	312A	5040JA3031A	DAMPER,COMPRESSOR
136B	3390JJ1095A	Tray,Drawer	314A	4620JA3009A	STOPPER,COMPRESSOR
140D	5026JJ2001G	Shelf,Net	315A	3103JJ1001K	BASE ASSEMBLY,COMPRESSOR
140E	5026JJ2001H	Shelf,Net	317A	5851JJ2002B	DRIER ASSEMBLY
142B	5027JJ1037A	SHELF ASSEMBLY,REFRIGERATOR	318A	4930JJ3002A	HOLDER,DRIER
142B	5027JJ1037A	SHELF ASSEMBLY,REFRIGERATOR	319A	3390JJ0003A	TRAY,DRIP
142D	5026JJ2001L	Shelf,Net	319C	4974JJ1009A	Guide,Fan
142E	5026JJ2001M	Shelf,Net	323B	5403JJ1005A	CONDENSER ASSEMBLY,WIRE
143E	5027JJ1013N	SHELF ASSEMBLY,REFRIGERATOR	327A	5006JA3034A	CAP,DRAIN TUBE
143F	5027JJ1013P	SHELF ASSEMBLY,REFRIGERATOR	328A	4J03020A	DAMPER,PIPE
145A	4930JJ2003A	Holder,Shelf	329A	5901JJ1005A	FAN ASSEMBLY
145B	4930JJ2004A	Holder,Shelf	329C	5901JJ1004B	FAN ASSEMBLY
145C	4975JJ2028C	GUIDE ASSEMBLY,RAIL	332A	3531JJ1004B	GRILLE ASSEMBLY,FAN
145F	4975JJ2028D	GUIDE ASSEMBLY,RAIL	401A	6615JB2005C	CONTROLLER ASSEMBLY,CIRCUIT
147A	5005JJ2011E	BASKET ASSEMBLY,DOOR	404A	4680JK1002B	Motor,Unclassified
151A	3391JJ1018J	TRAY ASSEMBLY,VEGETABLE	405A	4811JJ2002B	BRACKET ASSEMBLY,MOTOR
151C	4940JJ2003D	KNOB,SHUTTER	405B	4810JA3007A	Bracket,Motor
154A	3550JL1006E	COVER,TV	405C	J756-00008B	Damper,Motor Support
155B	4980JJ1012A	SUPPORTER,COVER TV	406B	6600JB1004A	SWITCH,PUSH BUTTON
158A	3550JJ1040A	COVER,LAMP	409C	6912JK2002C	LAMP,INCANDESCENT
158E	3550JJ1051A	COVER,LAMP	410A	6621JK2002D	DRAWING,ASSEMBLY
167B	4890JL1002G	SHELF,GLASS	410G	0CZZJB2003H	CAPACITOR,FILM,BOX
168A	3550JJ1036A	COVER,MAGIC ROOM	411A	6411JK1006A	Power Cord Assembly
170A	3391JJ2004L	TRAY ASSEMBLY,MEAT	418A	5300JB1100D	HEATER,SHEATH
200A	3581JJ8720E	Door Assembly,Freezer	420A	4680JK1001B	Motor,Unclassified
201A	5433JJ0059N	Door Foam Assembly,Freezer	501A	6871JB1215A	PCB ASSEMBLY,MAIN
203A	4987JJ1004C	GASKET ASSEMBLY,DOOR	501F	3550JJ1042B	Cover,PCB
205B	5006JJ2014B	CAP,COVER	503B	3034JJ1002B	REFLECTOR,LAMP
205C	5006JJ2014A	CAP,COVER	503C	6871JB2047A	PCB ASSEMBLY,DISPLAY
212A	3650JJ1052C	Handle,Freezer	503D	3110JJ1005A	CASE,DISPLAY
212G	3846JD1019A	NAME PLATE	503E	3550JJ2031A	COVER,DISPLAY
212J	4620JJ2010C	STOPPER,HANDLE	503F	3111JJ1001W	Case Assembly,Display
230A	3581JJ8719E	Door Assembly,Refrigerator	503G	3806JL1032C	DECOR,CONTROL
231A	5433JJ0016C	Door Foam Assembly,Refrigerator	600A	5989JA0002Q	Ice Maker Assembly,Kit
233A	4987JJ1004D	GASKET ASSEMBLY,DOOR	602A	4930JA3037A	HOLDER,BRACKET
237A	4974JJ2012A	GUIDE,PITCHER	610A	3550JJ2020A	COVER,SENSOR
237C	4974JJ1021A	GUIDE,DRAWER	616E	5210JA3005N	Tube,Plastic
241A	3550JJ1024A	COVER,TRAY	618A	5210JJ3005B	TUBE,INJECT
241B	5004JJ1035A	BASKET,DOOR	619A	5220JA2009D	VALVE,WATER
241C	5005JJ2017B	BASKET ASSEMBLY,DOOR	619B	3550JJ2024A	COVER,VALVE
241D	5005JJ2020B	BASKET ASSEMBLY,DOOR	621B	ACJ30147004	Connector Assembly
241E	5005JJ2018B	BASKET ASSEMBLY,DOOR	621C	ACJ30147003	Connector Assembly
243A	4620JJ3006A	Stopper,Door	622A	5040JA2015A	RUBBER,INJECT
244A	3650JJ1053C	Handle,Refrigerator	622B	4810JA3036A	BRACKET,COVER
244E	5006JJ3016A	CAP,HANDLE	623C	4770JA3001A	Band
248E	3806JJ1051A	Decor,Tray	627A	4930JA3054A	HOLDER,PIPE
248F	3806JL2011B	DECOR,TRAY	903A	3550JJ0005A	Cover,Lower
249A	5098JJ1002B	CONNECTOR ASSEMBLY	903B	4930JJ2021A	HOLDER,COVER(LOWER)
249B	5098JJ1002A	CONNECTOR ASSEMBLY	903D	6500JK1003A	SENSOR
249E	5218JA1010E	Rail,Slide	903E	6500JK1004A	Sensor
249F	5218JA1010F	Rail,Slide	B01	1STZJA3004F	SCREW,CUSTOMZIED

Loc No.	PartNo.	Description	Loc No.	PartNo.	Description
103A	3650JJ2003F	HANDLE,REAR	282B	4775JJ8002B	HINGE ASSEMBLY,CENTER
103B	3650JJ2003B	HANDLE,REAR	282E	5006JJ2001E	CAP,HINGE
103C	3551JJ1015C	COVER ASSEMBLY,LOWER	282F	3806JL2006G	Decor,Duct
103E	5218JJ3001A	Rail,Slide	282H	5006JJ3004D	CAP,HINGE
105A	5251JA3003B	TUBE ASSEMBLY,DRAIN	286A	4984JJ3003A	BUSH
105F	5070JJ3002A	Skirt,Lower	301A	5421JJ1001A	EVAPORATOR ASSEMBLY
106A	4779JA2003A	LEG ASSEMBLY,ADJUST	304A	3551JJ2008A	COVER ASSEMBLY,MACHINERY(REAR)
106B	4J00382C	WASHER,COMMON	305B	4580JJ3001A	Roller
120B	5209JJ1002B	DUCT ASSEMBLY,MULTI	305C	4J04238A	Pin,Common
125D	4930JJ3007A	HOLDER,BRACKET	307A	2521JJ8004A	Compressor,Set Assembly
128A	4975JJ2002A	GUIDE ASSEMBLY,RAIL	308A	6748JJ8002A	THERMISTOR,PTC
128B	4975JJ2002B	GUIDE ASSEMBLY,RAIL	309A	6750JJ8002A	Overload Protect
131A	5074JJ1055A	BUCKET,ICE	310A	3550JJ8003A	COVER,PTC
135C	3550JJ2030A	COVER,GRILLE FAN	312A	5040JA3031A	DAMPER,COMPRESSOR
136A	3391JJ1011A	TRAY ASSEMBLY,DRAWER	314A	4620JA3009A	STOPPER,COMPRESSOR
136B	3390JJ1095A	Tray,Drawer	315A	3103JJ1001K	BASE ASSEMBLY,COMPRESSOR
140D	5026JJ2001G	Shelf,Net	317A	5851JJ2002B	DRIER ASSEMBLY
140E	5026JJ2001H	Shelf,Net	318A	4930JJ3002A	HOLDER,DRIER
142B	5027JJ1037A	SHELF ASSEMBLY,REFRIGERATOR	319A	3390JJ0003A	TRAY,DRIP
142B	5027JJ1037A	SHELF ASSEMBLY,REFRIGERATOR	319C	4974JJ1009A	Guide,Fan
142D	5026JJ2001L	Shelf,Net	323B	5403JJ1005A	CONDENSER ASSEMBLY,WIRE
142E	5026JJ2001M	Shelf,Net	327A	5006JA3034A	CAP,DRAIN TUBE
143E	5027JJ1013N	SHELF ASSEMBLY,REFRIGERATOR	328A	4J03020A	DAMPER,PIPE
143F	5027JJ1013P	SHELF ASSEMBLY,REFRIGERATOR	329A	5901JJ1005A	FAN ASSEMBLY
145A	4930JJ2003A	Holder,Shelf	329C	5901JJ1004B	FAN ASSEMBLY
145B	4930JJ2004A	Holder,Shelf	332A	3531JJ1004B	GRILLE ASSEMBLY,FAN
145C	4975JJ2028C	GUIDE ASSEMBLY,RAIL	401A	6615JB2005C	CONTROLLER ASSEMBLY,CIRCUIT
145F	4975JJ2028D	GUIDE ASSEMBLY,RAIL	404A	4680JK1002B	Motor,Unclassified
147A	5005JJ2011E	BASKET ASSEMBLY,DOOR	405A	4811JJ2002B	BRACKET ASSEMBLY,MOTOR
151A	3391JJ1018J	TRAY ASSEMBLY,VEGETABLE	405B	4810JA3007A	Bracket,Motor
151C	4940JJ2003D	KNOB,SHUTTER	405C	J756-00008B	Damper,Motor Support
154A	3550JL1006E	COVER,TV	406B	6600JB1004A	SWITCH,PUSH BUTTON
155B	4980JJ1012A	SUPPORTER,COVER TV	409C	6912JK2002C	LAMP,INCANDESCENT
158A	3550JJ1040A	COVER,LAMP	410A	6621JK2002D	DRAWING,ASSEMBLY
158E	3550JJ1051A	COVER,LAMP	410G	0CZZJB2003H	CAPACITOR,FILM,BOX
167B	4890JL1002G	SHELF,GLASS	411A	6411JK1006A	Power Cord Assembly
168A	3550JJ1036A	COVER,MAGIC ROOM	418A	5300JB1100D	HEATER,SHEATH
170A	3391JJ2004L	TRAY ASSEMBLY,MEAT	420A	4680JK1001B	Motor,Unclassified
200A	3581JJ8720F	Door Assembly,Freezer	501A	6871JB1215A	PCB ASSEMBLY,MAIN
201A	5433JJ0059P	Door Foam Assembly,Freezer	501F	3550JJ1042B	Cover,PCB
203A	4987JJ1004C	GASKET ASSEMBLY,DOOR	503B	3034JJ1002B	REFLECTOR,LAMP
205B	5006JJ2014B	CAP,COVER	503C	6871JB2047A	PCB ASSEMBLY,DISPLAY
205C	5006JJ2014A	CAP,COVER	503D	3110JJ1005A	CASE,DISPLAY
212A	3650JJ1052D	Handle,Freezer	503E	3550JJ2031A	COVER,DISPLAY
212G	3846JD1019A	NAME PLATE	503F	3111JJ1001W	Case Assembly,Display
212J	4620JJ2010C	STOPPER,HANDLE	503G	3806JL1032C	DECOR,CONTROL
230A	3581JJ8719F	Door Assembly,Refrigerator	600A	5989JA0002Q	Ice Maker Assembly,Kit
231A	5433JJ0016F	Door Foam Assembly,Refrigerator	602A	4930JA3037A	HOLDER,BRACKET
233A	4987JJ1004D	GASKET ASSEMBLY,DOOR	610A	3550JJ2020A	COVER,SENSOR
237A	4974JJ2012A	GUIDE,PITCHER	616E	5210JA3005N	Tube,Plastic
237C	4974JJ1021A	GUIDE,DRAWER	618A	5210JJ3005B	TUBE,INJECT
241A	3550JJ1024A	COVER,TRAY	619A	5220JA2009D	VALVE,WATER
241B	5004JJ1035A	BASKET,DOOR	619B	3550JJ2024A	COVER,VALVE
241C	5005JJ2017B	BASKET ASSEMBLY,DOOR	621B	ACJ30147004	Connector Assembly
241D	5005JJ2020B	BASKET ASSEMBLY,DOOR	621C	ACJ30147003	Connector Assembly
241E	5005JJ2018B	BASKET ASSEMBLY,DOOR	622A	5040JA2015A	RUBBER,INJECT
243A	4620JJ3006B	Stopper,Door	622B	4810JA3036A	BRACKET,COVER
244A	3650JJ1053D	Handle,Refrigerator	623C	4770JA3001A	Band
244E	5006JJ3016B	CAP,HANDLE	627A	4930JA3054A	HOLDER,PIPE
248E	3806JJ1051A	Decor,Tray	903A	3550JJ0005B	Cover,Lower
248F	3806JL2011B	DECOR,TRAY	903B	4930JJ2021A	HOLDER,COVER(LOWER)
249A	5098JJ1002B	CONNECTOR ASSEMBLY	903D	6500JK1003A	SENSOR
249B	5098JJ1002A	CONNECTOR ASSEMBLY	903E	6500JK1004A	Sensor
249E	5218JA1010E	Rail,Slide	B01	1STZJA3004F	SCREW,CUSTOMZIED
249F	5218JA1010F	Rail,Slide	S01	1SZZJJ3010A	SCREW,CUSTOMZIED

Loc No.	Part No.	Description	Loc No.	Part No.	Description
103A	3650JJ2003M	HANDLE,REAR	281A	3550JJ2013C	COVER,HINGE
103B	3650JJ2003L	HANDLE,REAR	281B	4775JJ2003B	HINGE ASSEMBLY,UPPER
103C	3551JJ1015E	COVER ASSEMBLY,LOWER	282B	4775JJ8002C	HINGE ASSEMBLY,CENTER
103E	5218JJ3001A	Rail,Slide	282E	5006JJ2001F	CAP,HINGE
105A	5251JA3003B	TUBE ASSEMBLY,DRAIN	282F	3806JL2006G	Decor,Duct
105F	5070JJ3002A	Skirt,Lower	282H	5006JJ3004E	CAP,HINGE
106A	4779JA2003A	LEG ASSEMBLY,ADJUST	286A	4984JJ3003A	BUSH
106B	4J00382C	WASHER,COMMON	301A	5421JJ1001A	EVAPORATOR ASSEMBLY
120B	5209JJ1002B	DUCT ASSEMBLY,MULTI	304A	3551JJ2008A	COVER ASSEMBLY,MACHINERY(REAR)
125D	4930JJ3007A	HOLDER,BRACKET	305B	4580JJ3001A	Roller
128A	4975JJ2002A	GUIDE ASSEMBLY,RAIL	305C	4J04238A	Pin,Common
128B	4975JJ2002B	GUIDE ASSEMBLY,RAIL	307A	2521JJ8004A	Compressor,Set Assembly
131A	5074JJ1055A	BUCKET,ICE	308A	6748JJ8002A	THERMISTOR,PTC
135C	3550JJ2030A	COVER,GRILLE FAN	309A	6750JJ8002A	Overload Protect
136A	3391JJ1011A	TRAY ASSEMBLY,DRAWER	310A	3550JJ8003A	COVER,PTC
136B	3390JJ1095A	Tray,Drawer	312A	5040JA3031A	DAMPER,COMPRESSOR
140D	5026JJ2001G	Shelf,Net	314A	4620JA3009A	STOPPER,COMPRESSOR
140E	5026JJ2001H	Shelf,Net	315A	3103JJ1001K	BASE ASSEMBLY,COMPRESSOR
142B	5027JJ1037A	SHELF ASSEMBLY,REFRIGERATOR	317A	5851JJ2002B	DRIER ASSEMBLY
142B	5027JJ1037A	SHELF ASSEMBLY,REFRIGERATOR	318A	4930JJ3002A	HOLDER,DRIER
142D	5026JJ2001L	Shelf,Net	319A	3390JJ0003A	TRAY,DRIP
142E	5026JJ2001M	Shelf,Net	319C	4974JJ1009A	Guide,Fan
143E	5027JJ1013N	SHELF ASSEMBLY,REFRIGERATOR	323B	5403JJ1005A	CONDENSER ASSEMBLY,WIRE
143F	5027JJ1013P	SHELF ASSEMBLY,REFRIGERATOR	327A	5006JA3034A	CAP,DRAIN TUBE
145A	4930JJ2003A	Holder,Shelf	328A	4J03020A	DAMPER,PIPE
145B	4930JJ2004A	Holder,Shelf	329A	5901JJ1005A	FAN ASSEMBLY
145C	4975JJ2028C	GUIDE ASSEMBLY,RAIL	329C	5901JJ1004B	FAN ASSEMBLY
145F	4975JJ2028D	GUIDE ASSEMBLY,RAIL	332A	3531JJ1004B	GRILLE ASSEMBLY,FAN
147A	5005JJ2011E	BASKET ASSEMBLY,DOOR	401A	6615JB2005C	CONTROLLER ASSEMBLY,CIRCUIT
151A	3391JJ1018J	TRAY ASSEMBLY,VEGETABLE	404A	4680JK1002B	Motor,Unclassified
151C	4940JJ2003D	KNOB,SHUTTER	405A	4811JJ2002B	BRACKET ASSEMBLY,MOTOR
154A	3550JL1006E	COVER,TV	405B	4810JA3007A	Bracket,Motor
155B	4980JJ1012A	SUPPORTER,COVER TV	405C	J756-00008B	Damper,Motor Support
158A	3550JJ1040A	COVER,LAMP	406B	6600JB1004A	SWITCH,PUSH BUTTON
158E	3550JJ1051A	COVER,LAMP	409C	6912JK2002C	LAMP,INCANDESCENT
167B	4890JL1002G	SHELF,GLASS	410A	6621JK2002D	DRAWING,ASSEMBLY
168A	3550JJ1036A	COVER,MAGIC ROOM	410G	0CZZJB2003H	CAPACITOR,FILM,BOX
170A	3391JJ2004L	TRAY ASSEMBLY,MEAT	411A	6411JK1006A	Power Cord Assembly
200A	3581JJ8720G	Door Assembly,Freezer	418A	5300JB1100D	HEATER,SHEATH
201A	5433JJ0059Q	Door Foam Assembly,Freezer	420A	4680JK1001B	Motor,Unclassified
203A	4987JJ1004G	GASKET ASSEMBLY,DOOR	501A	6871JB1215A	PCB ASSEMBLY,MAIN
205B	5006JJ2014B	CAP,COVER	501F	3550JJ1042B	Cover,PCB
205C	5006JJ2014A	CAP,COVER	503B	3034JJ1002B	REFLECTOR,LAMP
212A	3650JJ1054D	Handle,Freezer	503C	6871JB2047A	PCB ASSEMBLY,DISPLAY
212G	3846JD1019A	NAME PLATE	503D	3110JJ1005A	CASE,DISPLAY
212J	4620JJ2010C	STOPPER,HANDLE	503E	3550JJ2031A	COVER,DISPLAY
230A	3581JJ8719G	Door Assembly,Refrigerator	503F	3111JJ1001W	Case Assembly,Display
231A	5433JJ0016H	Door Foam Assembly,Refrigerator	503G	3806JL1032C	DECOR,CONTROL
233A	4987JJ1004H	GASKET ASSEMBLY,DOOR	600A	5989JA0002Q	Ice Maker Assembly,Kit
237A	4974JJ2012A	GUIDE,PITCHER	602A	4930JA3037A	HOLDER,BRACKET
237C	4974JJ1021A	GUIDE,DRAWER	610A	3550JJ2020A	COVER,SENSOR
241A	3550JJ1024A	COVER,TRAY	616E	5210JA3005N	Tube,Plastic
241B	5004JJ1035A	BASKET,DOOR	618A	5210JJ3005B	TUBE,INJECT
241C	5005JJ2017B	BASKET ASSEMBLY,DOOR	619A	5220JA2009D	VALVE,WATER
241D	5005JJ2020B	BASKET ASSEMBLY,DOOR	619B	3550JJ2024A	COVER,VALVE
241E	5005JJ2018B	BASKET ASSEMBLY,DOOR	621B	ACJ30147004	Connector Assembly
243A	4620JJ3006C	Stopper,Door	621C	ACJ30147003	Connector Assembly
244A	3650JJ1055D	Handle,Refrigerator	622A	5040JA2015A	RUBBER,INJECT
244E	5006JJ3016C	CAP,HANDLE	622B	4810JA3036A	BRACKET,COVER
248E	3806JJ1051A	Decor,Tray	623C	4770JA3001A	Band
248F	3806JL2011B	DECOR,TRAY	627A	4930JA3054A	HOLDER,PIPE
249A	5098JJ1002B	CONNECTOR ASSEMBLY	903A	3550JJ0005C	Cover,Lower
249B	5098JJ1002A	CONNECTOR ASSEMBLY	903B	4930JJ2021A	HOLDER,COVER(LOWER)
249E	5218JA1010E	Rail,Slide	903D	6500JK1003A	SENSOR
249F	5218JA1010F	Rail,Slide	903E	6500JK1004A	Sensor

Loc No.	PartNo.	Description	Loc No.	PartNo.	Description
103A	3650JJ2003H	HANDLE,REAR	282B	4775JJ8002G	HINGE ASSEMBLY,CENTER
103B	3650JJ2003D	HANDLE,REAR	282E	5006JJ2001G	CAP,HINGE
103C	3551JJ1015G	COVER ASSEMBLY,LOWER	282F	3806JL2006G	Decor,Duct
103E	5218JJ3001A	Rail,Slide	282H	5006JJ3004F	CAP,HINGE
105A	5251JA3003B	TUBE ASSEMBLY,DRAIN	286A	4984JJ3003A	BUSH
105F	5070JJ3002A	Skirt,Lower	301A	5421JJ1001A	EVAPORATOR ASSEMBLY
106A	4779JA2003A	LEG ASSEMBLY,ADJUST	304A	3551JJ2008A	COVER ASSEMBLY,MACHINERY(REAR)
106B	4J00382C	WASHER,COMMON	305B	4580JJ3001A	Roller
120B	5209JJ1002B	DUCT ASSEMBLY,MULTI	305C	4J04238A	Pin,Common
125D	4930JJ3007A	HOLDER,BRACKET	307A	2521JJ8004A	Compressor,Set Assembly
128A	4975JJ2002A	GUIDE ASSEMBLY,RAIL	308A	6748JJ8002A	THERMISTOR,PTC
128B	4975JJ2002B	GUIDE ASSEMBLY,RAIL	309A	6750JJ8002A	Overload Protect
131A	5074JJ1055A	BUCKET,ICE	310A	3550JJ8003A	COVER,PTC
135C	3550JJ2030A	COVER,GRILLE FAN	312A	5040JA3031A	DAMPER,COMPRESSOR
136A	3391JJ1011A	TRAY ASSEMBLY,DRAWER	314A	4620JA3009A	STOPPER,COMPRESSOR
136B	3390JJ1095A	Tray,Drawer	315A	3103JJ1001K	BASE ASSEMBLY,COMPRESSOR
140D	5026JJ2001G	Shelf,Net	317A	5851JJ2002B	DRIER ASSEMBLY
140E	5026JJ2001H	Shelf,Net	318A	4930JJ3002A	HOLDER,DRIER
142B	5027JJ1037A	SHELF ASSEMBLY,REFRIGERATOR	319A	3390JJ0003A	TRAY,DRIP
142B	5027JJ1037A	SHELF ASSEMBLY,REFRIGERATOR	319C	4974JJ1009A	Guide,Fan
142D	5026JJ2001L	Shelf,Net	323B	5403JJ1005A	CONDENSER ASSEMBLY,WIRE
142E	5026JJ2001M	Shelf,Net	327A	5006JA3034A	CAP,DRAIN TUBE
143E	5027JJ1013N	SHELF ASSEMBLY,REFRIGERATOR	328A	4J03020A	DAMPER,PIPE
143F	5027JJ1013P	SHELF ASSEMBLY,REFRIGERATOR	329A	5901JJ1005A	FAN ASSEMBLY
145A	4930JJ2003A	Holder,Shelf	329C	5901JJ1004B	FAN ASSEMBLY
145B	4930JJ2004A	Holder,Shelf	332A	3531JJ1004B	GRILLE ASSEMBLY,FAN
145C	4975JJ2028C	GUIDE ASSEMBLY,RAIL	401A	6615JB2005C	CONTROLLER ASSEMBLY,CIRCUIT
145F	4975JJ2028D	GUIDE ASSEMBLY,RAIL	404A	4680JK1002B	Motor,Unclassified
147A	5005JJ2011E	BASKET ASSEMBLY,DOOR	405A	4811JJ2002B	BRACKET ASSEMBLY,MOTOR
151A	3391JJ1018J	TRAY ASSEMBLY,VEGETABLE	405B	4810JA3007A	Bracket,Motor
151C	4940JJ2003D	KNOB,SHUTTER	405C	J756-00008B	Damper,Motor Support
154A	3550JL1006E	COVER,TV	406B	6600JB1004A	SWITCH,PUSH BUTTON
155B	4980JJ1012A	SUPPORTER,COVER TV	409C	6912JK2002C	LAMP,INCANDESCENT
158A	3550JJ1040A	COVER,LAMP	410A	6621JK2002D	DRAWING,ASSEMBLY
158E	3550JJ1051A	COVER,LAMP	410G	0CZZJB2003H	CAPACITOR,FILM,BOX
167B	4890JL1002G	SHELF,GLASS	411A	6411JK1006A	Power Cord Assembly
168A	3550JJ1036A	COVER,MAGIC ROOM	418A	5300JB1100D	HEATER,SHEATH
170A	3391JJ2004L	TRAY ASSEMBLY,MEAT	420A	4680JK1001B	Motor,Unclassified
200A	3581JJ8720H	Door Assembly,Freezer	501A	6871JB1215A	PCB ASSEMBLY,MAIN
201A	5433JJ0059R	Door Foam Assembly,Freezer	501F	3550JJ1042B	Cover,PCB
203A	4987JJ1004C	GASKET ASSEMBLY,DOOR	503B	3034JJ1002B	REFLECTOR,LAMP
205B	5006JJ2014B	CAP,COVER	503C	6871JB2047A	PCB ASSEMBLY,DISPLAY
205C	5006JJ2014A	CAP,COVER	503D	3110JJ1005A	CASE,DISPLAY
212A	3650JJ1054A	Handle,Freezer	503E	3550JJ2031A	COVER,DISPLAY
212G	3846JD1019A	NAME PLATE	503F	3111JJ1001W	Case Assembly,Display
212J	4620JJ2010C	STOPPER,HANDLE	503G	3806JL1032C	DECOR,CCONTROL
230A	3581JJ8719H	Door Assembly,Refrigerator	600A	5989JA0002Q	Ice Maker Assembly,Kit
231A	5433JJ0123E	Door Foam Assembly,Refrigerator	602A	4930JA3037A	HOLDER,BRACKET
233A	4987JJ1004D	GASKET ASSEMBLY,DOOR	610A	3550JJ2020A	COVER,SENSOR
237A	4974JJ2012A	GUIDE,PITCHER	616E	5210JA3005N	Tube,Plastic
237C	4974JJ1021A	GUIDE,DRAWER	618A	5210JJ3005B	TUBE,INJECT
241A	3550JJ1024A	COVER,TRAY	619A	5220JA2009D	VALVE,WATER
241B	5004JJ1035A	BASKET,DOOR	619B	3550JJ2024A	COVER,VALVE
241C	5005JJ2017B	BASKET ASSEMBLY,DOOR	621B	ACJ30147004	Connector Assembly
241D	5005JJ2020B	BASKET ASSEMBLY,DOOR	621C	ACJ30147003	Connector Assembly
241E	5005JJ2018B	BASKET ASSEMBLY,DOOR	622A	5040JA2015A	RUBBER,INJECT
243A	4620JJ3006D	Stopper,Door	622B	4810JA3036A	BRACKET,COVER
244A	3650JJ1055A	Handle,Refrigerator	623C	4770JA3001A	Band
244E	5006JJ3016D	CAP,HANDLE	627A	4930JA3054A	HOLDER,PIPE
248E	3806JJ1051A	Decor,Tray	903A	3550JJ0005D	Cover,Lower
248F	3806JL2011B	DECOR,TRAY	903B	4930JJ2021A	HOLDER,COVER(LOWER)
249A	5098JJ1002B	CONNECTOR ASSEMBLY	903D	6500JK1003A	SENSOR
249B	5098JJ1002A	CONNECTOR ASSEMBLY	903E	6500JK1004A	Sensor
249E	5218JA1010E	Rail,Slide	B01	1STZJA3004F	SCREW,CUSTOMZIED
249F	5218JA1010F	Rail,Slide	S01	1SZZJJ3010A	SCREW,CUSTOMZIED
249J	3550JJ1111A	COVER,CONNECTOR	S22	3J05696C	SCREW,CUSTOMZIED
249K	3550JJ1111B	COVER,CONNECTOR	S24	1SZZJA3011B	SCREW,CUSTOMZIED
250A	4270JJ3001F	Bar	S27	4J01424C	SCREW,CUSTOMZIED
250B	4403JJ3001A	CONNECTOR ASSEMBLY	S28	3J05696W	SCREW,CUSTOMZIED

Loc No.	Part No.	Description	Loc No.	Part No.	Description
103A	3650JJ2003E	HANDLE,REAR	281B	4775JJ2003B	HINGE ASSEMBLY,UPPER
103B	3650JJ2003A	HANDLE,REAR	282B	4775JJ8002A	HINGE ASSEMBLY,CENTER
103C	3551JJ1015A	COVER ASSEMBLY,LOWER	282E	5006JJ2001A	CAP,HINGE
103E	5218JJ3001A	Rail,Slide	282F	3806JL2006G	Decor,Duct
105A	5251JA3003B	TUBE ASSEMBLY,DRAIN	282H	5006JJ3004A	CAP,HINGE
105F	5070JJ3002A	Skirt,Lower	286A	4984JJ3003A	BUSH
106A	4779JA2003A	LEG ASSEMBLY,ADJUST	301A	5421JJ1001A	EVAPORATOR ASSEMBLY
106B	4J00382C	WASHER,COMMON	304A	3551JJ2008A	COVER ASSEMBLY,MACHINERY(REAR)
120B	5209JJ1002B	DUCT ASSEMBLY,MULTI	305B	4580JJ3001A	Roller
125D	4930JJ3007A	HOLDER,BRACKET	305C	4J04238A	Pin,Common
128A	4975JJ2002A	GUIDE ASSEMBLY,RAIL	307A	2521JJ8004A	Compressor,Set Assembly
128B	4975JJ2002B	GUIDE ASSEMBLY,RAIL	308A	6748JJ8002A	THERMISTOR,PTC
131A	5074JJ1055A	BUCKET,ICE	309A	6750JJ8002A	Overload Protect
135C	3550JJ2030A	COVER,GRILLE FAN	310A	3550JJ8003A	COVER,PTC
136A	3391JJ1011A	TRAY ASSEMBLY,DRAWER	312A	5040JA3031A	DAMPER,COMPRESSOR
136B	3390JJ1095A	Tray,Drawer	314A	4620JA3009A	STOPPER,COMPRESSOR
140D	5026JJ2001G	Shelf,Net	315A	3103JJ1001K	BASE ASSEMBLY,COMPRESSOR
140E	5026JJ2001H	Shelf,Net	317A	5851JJ2002B	DRIER ASSEMBLY
142B	5027JJ1037A	SHELF ASSEMBLY,REFRIGERATOR	318A	4930JJ3002A	HOLDER,DRIER
142B	5027JJ1037A	SHELF ASSEMBLY,REFRIGERATOR	319A	3390JJ0003A	TRAY,DRIP
142D	5026JJ2001L	Shelf,Net	319C	4974JJ1009A	Guide,Fan
142E	5026JJ2001M	Shelf,Net	323B	5403JJ1005A	CONDENSER ASSEMBLY,WIRE
143E	5027JJ1013N	SHELF ASSEMBLY,REFRIGERATOR	327A	5006JA3034A	CAP,DRAIN TUBE
143F	5027JJ1013P	SHELF ASSEMBLY,REFRIGERATOR	328A	4J03020A	DAMPER,PIPE
145A	4930JJ2003A	Holder,Shelf	329A	5901JJ1005A	FAN ASSEMBLY
145B	4930JJ2004A	Holder,Shelf	329C	5901JJ1004B	FAN ASSEMBLY
145C	4975JJ2028C	GUIDE ASSEMBLY,RAIL	332A	3531JJ1004B	GRILLE ASSEMBLY,FAN
145F	4975JJ2028D	GUIDE ASSEMBLY,RAIL	401A	6615JB2005C	CONTROLLER ASSEMBLY,CIRCUIT
146A	5047JJ1001A	CASE,LOWER	404A	4680JK1002B	Motor,Unclassified
147A	5005JJ2011E	BASKET ASSEMBLY,DOOR	405A	4811JJ2002B	BRACKET ASSEMBLY,MOTOR
151A	3391JJ1018J	TRAY ASSEMBLY,VEGETABLE	405B	4810JA3007A	Bracket,Motor
151C	4940JJ2003D	KNOB,SHUTTER	405C	J756-00008B	Damper,Motor Support
154A	3550JL1006E	COVER,TV	406B	6600JB1004A	SWITCH,PUSH BUTTON
155B	4980JJ1012A	SUPPORTER,COVER TV	409C	6912JK2002C	LAMP,INCANDESCENT
158A	3550JJ1040A	COVER,LAMP	410A	6621JK2002D	DRAWING,ASSEMBLY
158E	3550JJ1051A	COVER,LAMP	410G	0CZZJB2003H	CAPACITOR,FILM,BOX
167B	4890JL1002G	SHELF,GLASS	411A	6411JK1006A	Power Cord Assembly
168A	3550JJ1036A	COVER,MAGIC ROOM	418A	5300JB1100D	HEATER,SHEATH
170A	3391JJ2004L	TRAY ASSEMBLY,MEAT	420A	4680JK1001B	Motor,Unclassified
200A	3581JJ8720E	Door Assembly,Freezer	501A	6871JB1215A	PCB ASSEMBLY,MAIN
201A	5433JJ0059N	Door Foam Assembly,Freezer	501F	3550JJ1042B	Cover,PCB
203A	4987JJ1004C	GASKET ASSEMBLY,DOOR	503B	3034JJ1002B	REFLECTOR,LAMP
205B	5006JJ2014B	CAP,COVER	503C	6871JB2047A	PCB ASSEMBLY,DISPLAY
205C	5006JJ2014A	CAP,COVER	503D	3110JJ1005A	CASE,DISPLAY
212A	3650JJ1052C	Handle,Freezer	503E	3550JJ2031A	COVER,DISPLAY
212G	3846JD1019A	NAME PLATE	503F	3111JJ1001W	Case Assembly,Display
212J	4620JJ2010C	STOPPER,HANDLE	503G	3806JL1032C	DECOR,CONTROL
230A	3581JJ8719E	Door Assembly,Refrigerator	600A	5989JA0002Q	Ice Maker Assembly,Kit
231A	5433JJ0016C	Door Foam Assembly,Refrigerator	602A	4930JA3037A	HOLDER,BRACKET
233A	4987JJ1004D	GASKET ASSEMBLY,DOOR	610A	3550JJ2020A	COVER,SENSOR
237A	4974JJ2012A	GUIDE,PITCHER	616E	5210JA3005N	Tube,Plastic
237C	4974JJ1021A	GUIDE,DRAWER	618A	5210JJ3005B	TUBE,INJECT
241A	3550JJ1024A	COVER,TRAY	619A	5220JA2009D	VALVE,WATER
241B	5004JJ1035A	BASKET,DOOR	619B	3550JJ2024A	COVER,VALVE
241C	5005JJ2017B	BASKET ASSEMBLY,DOOR	621B	ACJ30147004	Connector Assembly
241D	5005JJ2020B	BASKET ASSEMBLY,DOOR	621C	ACJ30147003	Connector Assembly
241E	5005JJ2018B	BASKET ASSEMBLY,DOOR	622A	5040JA2015A	RUBBER,INJECT
243A	4620JJ3006A	Stopper,Door	622B	4810JA3036A	BRACKET,COVER
244A	3650JJ1053C	Handle,Refrigerator	623C	4770JA3001A	Band
244E	5006JJ3016A	CAP,HANDLE	627A	4930JA3054A	HOLDER,PIPE
248E	3806JJ1051A	Decor,Tray	903A	3550JJ0005A	Cover,Lower
248F	3806JL2011B	DECOR,TRAY	903B	4930JJ2021A	HOLDER,COVER(LOWER)
249A	5098JJ1002B	CONNECTOR ASSEMBLY	903D	6500JK1003A	SENSOR
249B	5098JJ1002A	CONNECTOR ASSEMBLY	903E	6500JK1004A	Sensor
249E	5218JA1010E	Rail,Slide	B01	1STZJA3004F	SCREW,CUSTOMZIED

Loc No.	Part No.	Description	Loc No.	Part No.	Description
103A	3650JJ2003H	HANDLE,REAR	281B	4775JJ2003B	HINGE ASSEMBLY,UPPER
103B	3650JJ2003D	HANDLE,REAR	282B	4775JJ8002G	HINGE ASSEMBLY,CENTER
103C	3551JJ1015G	COVER ASSEMBLY,LOWER	282E	5006JJ2001G	CAP,HINGE
103E	5218JJ3001A	Rail,Slide	282F	3806JL2006G	Decor,Duct
105A	5251JA3003B	TUBE ASSEMBLY,DRAIN	282H	5006JJ3004F	CAP,HINGE
105F	5070JJ3002A	Skirt,Lower	286A	4984JJ3003A	BUSH
106A	4779JA2003A	LEG ASSEMBLY,ADJUST	301A	5421JJ1001A	EVAPORATOR ASSEMBLY
106B	4J00382C	WASHER,COMMON	304A	3551JJ2008A	COVER ASSEMBLY,MACHINERY(REAR)
120B	5209JJ1002B	DUCT ASSEMBLY,MULTI	305B	4580JJ3001A	Roller
125D	4930JJ3007A	HOLDER,BRACKET	305C	4J04238A	Pin,Common
128A	4975JJ2002A	GUIDE ASSEMBLY,RAIL	307A	2521JJ8004A	Compressor,Set Assembly
128B	4975JJ2002B	GUIDE ASSEMBLY,RAIL	308A	6748JJ8002A	THERMISTOR,PTC
131A	5074JJ1055A	BUCKET,ICE	309A	6750JJ8002A	Overload Protect
135C	3550JJ2030A	COVER,GRILLE FAN	310A	3550JJ8003A	COVER,PTC
136A	3391JJ1011A	TRAY ASSEMBLY,DRAWER	312A	5040JA3031A	DAMPER,COMPRESSOR
136B	3390JJ1095A	Tray,Drawer	314A	4620JA3009A	STOPPER,COMPRESSOR
140D	5026JJ2001G	Shelf,Net	315A	3103JJ1001K	BASE ASSEMBLY,COMPRESSOR
140E	5026JJ2001H	Shelf,Net	317A	5851JJ2002B	DRIER ASSEMBLY
142B	5027JJ1037A	SHELF ASSEMBLY,REFRIGERATOR	318A	4930JJ3002A	HOLDER,DRIER
142B	5027JJ1037A	SHELF ASSEMBLY,REFRIGERATOR	319A	3390JJ0003A	TRAY,DRIP
142D	5026JJ2001L	Shelf,Net	319C	4974JJ1009A	Guide,Fan
142E	5026JJ2001M	Shelf,Net	323B	5403JJ1005A	CONDENSER ASSEMBLY,WIRE
143E	5027JJ1013N	SHELF ASSEMBLY,REFRIGERATOR	327A	5006JA3034A	CAP,DRAIN TUBE
143F	5027JJ1013P	SHELF ASSEMBLY,REFRIGERATOR	328A	4J03020A	DAMPER,PIPE
145A	4930JJ2003A	Holder,Shelf	329A	5901JJ1005A	FAN ASSEMBLY
145B	4930JJ2004A	Holder,Shelf	329C	5901JJ1004B	FAN ASSEMBLY
145C	4975JJ2028C	GUIDE ASSEMBLY,RAIL	332A	3531JJ1004B	GRILLE ASSEMBLY,FAN
145F	4975JJ2028D	GUIDE ASSEMBLY,RAIL	401A	6615JB2005C	CONTROLLER ASSEMBLY,CIRCUIT
146A	5047JJ1001A	CASE,LOWER	404A	4680JK1002B	Motor,Unclassified
147A	5005JJ2011E	BASKET ASSEMBLY,DOOR	405A	4811JJ2002B	BRACKET ASSEMBLY,MOTOR
151A	3391JJ1018J	TRAY ASSEMBLY,VEGETABLE	405B	4810JA3007A	Bracket,Motor
151C	4940JJ2003D	KNOB,SHUTTER	405C	J756-00008B	Damper,Motor Support
154A	3550JL1006E	COVER,TV	406B	6600JB1004A	SWITCH,PUSH BUTTON
155B	4980JJ1012A	SUPPORTER,COVER TV	409C	6912JK2002C	LAMP,INCANDESCENT
158A	3550JJ1040A	COVER,LAMP	410A	6621JK2002D	DRAWING,ASSEMBLY
158E	3550JJ1051A	COVER,LAMP	410G	0CZZJB2003H	CAPACITOR,FILM,BOX
167B	4890JL1002G	SHELF,GLASS	411A	6411JK1006A	Power Cord Assembly
168A	3550JJ1036A	COVER,MAGIC ROOM	418A	5300JB1100D	HEATER,SHEATH
170A	3391JJ2004L	TRAY ASSEMBLY,MEAT	420A	4680JK1001B	Motor,Unclassified
200A	3581JJ8720H	Door Assembly,Freezer	501A	6871JB1215A	PCB ASSEMBLY,MAIN
201A	5433JJ0059R	Door Foam Assembly,Freezer	501F	3550JJ1042B	Cover,PCB
203A	4987JJ1004C	GASKET ASSEMBLY,DOOR	503B	3034JJ1002B	REFLECTOR,LAMP
205B	5006JJ2014B	CAP,COVER	503C	6871JB2047A	PCB ASSEMBLY,DISPLAY
205C	5006JJ2014A	CAP,COVER	503D	3110JJ1005A	CASE,DISPLAY
212A	3650JJ1054A	Handle,Freezer	503E	3550JJ2031A	COVER,DISPLAY
212G	3846JD1019A	NAME PLATE	503F	3111JJ1001W	Case Assembly,Display
212J	4620JJ2010C	STOPPER,HANDLE	503G	3806JL1032C	DECOR,CONTROL
230A	3581JJ8719H	Door Assembly,Refrigerator	600A	5989JA0002Q	Ice Maker Assembly,Kit
231A	5433JJ0123E	Door Foam Assembly,Refrigerator	602A	4930JA3037A	HOLDER,BRACKET
233A	4987JJ1004D	GASKET ASSEMBLY,DOOR	610A	3550JJ2020A	COVER,SENSOR
237A	4974JJ2012A	GUIDE,PITCHER	616E	5210JA3005N	Tube,Plastic
237C	4974JJ1021A	GUIDE,DRAWER	618A	5210JJ3005B	TUBE,INJECT
241A	3550JJ1024A	COVER,TRAY	619A	5220JA2009D	VALVE,WATER
241B	5004JJ1035A	BASKET,DOOR	619B	3550JJ2024A	COVER,VALVE
241C	5005JJ2017B	BASKET ASSEMBLY,DOOR	621B	ACJ30147004	Connector Assembly
241D	5005JJ2020B	BASKET ASSEMBLY,DOOR	621C	ACJ30147003	Connector Assembly
241E	5005JJ2018B	BASKET ASSEMBLY,DOOR	622A	5040JA2015A	RUBBER,INJECT
243A	4620JJ3006D	Stopper,Door	622B	4810JA3036A	BRACKET,COVER
244A	3650JJ1055A	Handle,Refrigerator	623C	4770JA3001A	Band
244E	5006JJ3016D	CAP,HANDLE	627A	4930JA3054A	HOLDER,PIPE
248E	3806JJ1051A	Decor,Tray	903A	3550JJ0005D	Cover,Lower
248F	3806JL2011B	DECOR,TRAY	903B	4930JJ2021A	HOLDER,COVER(LOWER)
249A	5098JJ1002B	CONNECTOR ASSEMBLY	903D	6500JK1003A	SENSOR
249B	5098JJ1002A	CONNECTOR ASSEMBLY	903E	6500JK1004A	Sensor
249E	5218JA1010E	Rail,Slide	B01	1STZJA3004F	SCREW,CUSTOMZIED



*'You Can Count on me . . .
to Work Safely.'*