

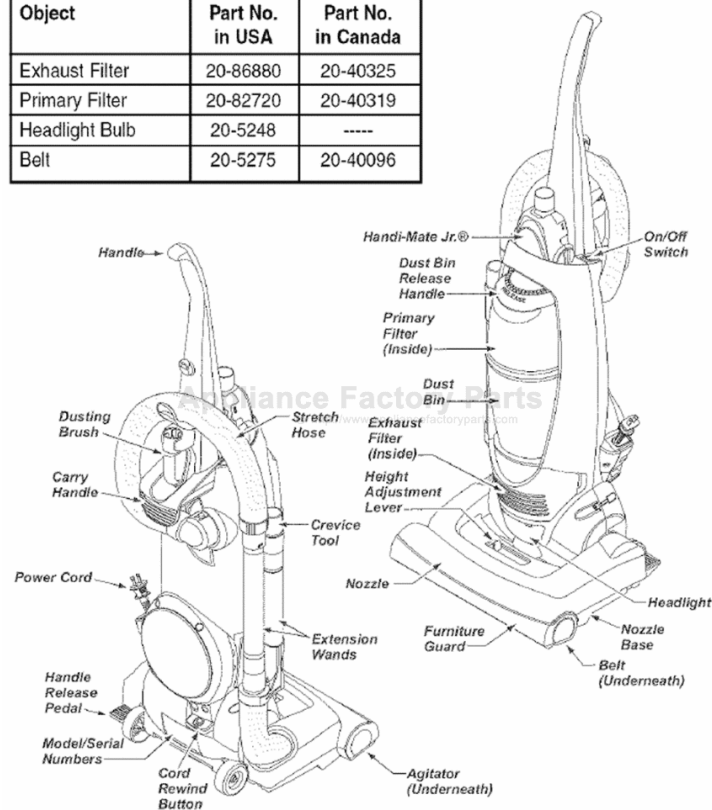
This Owner's Manual is provided and hosted by [Appliance Factory Parts](http://Appliance Factory Parts).



# Kenmore 116.36724500 Owner's Manual

[Shop genuine replacement parts for Kenmore  
116.36724500](#)

Object	Part No. in USA	Part No. in Canada
Exhaust Filter	20-86880	20-40325
Primary Filter	20-82720	20-40319
Headlight Bulb	20-5248	----
Belt	20-5275	20-40096



[Find Your Kenmore Vacuum Cleaner Parts - Select From 745 Models](#)

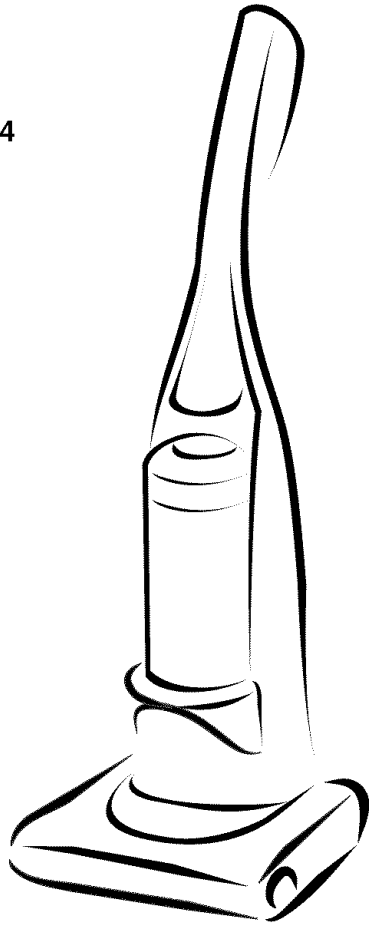
----- Manual continues below -----

**Owner's Manual**  
**Manual Del Propietario**



**Vacuum Cleaner**  
**Aspiradora**

Model , Modelo 116.36724



ENGLISH

ESPAÑOL

**CAUTION:**

Read and follow all safety and operating instructions before first use of this product.

**CUIDADO:**

Lea y sigue todas las instrucciones de operación y seguridad antes del uso de este producto.

Sears, Roebuck and Co., Hoffman Estates, IL 60179 U.S.A.  
[www.sears.com](http://www.sears.com)

Part No. C01ZCSC00U00 - KC01ZCSCZ0U0

*Impreso en China*  
Printed in China

## TABLE OF CONTENTS

<b>Before Using Your New Vacuum Cleaner</b> .....	2	<b>Vacuum Cleaner Care</b> .....	11
<b>Kenmore Vacuum Cleaner Warranty</b> .....	2	Cleaning Exterior and Attachments .....	11
<b>Important Safety Instructions</b> .....	3	Dust Bin Cleaning .....	12
<b>Parts and Features</b> .....	4	Dust Bin Assembly .....	13
<b>Assembly Instructions</b> .....	5-6	Dust Bin Filter Changing/Cleaning .....	14
<b>Operating Instructions</b> .....	6	Secondary Filter Cleaning .....	15
How To Start .....	6	Filter Changing/Cleaning .....	16
Pile Height Selection and Setting .....	7	Belt Changing and Agitator Cleaning ..	17-19
Releasing the Handle .....	7	Clog Removal .....	20
ON/OFF Switch .....	7	Light Bulb Changing .....	21
Attachments .....	8	Agitator Servicing .....	22
Attachment Use Chart .....	9	<b>Troubleshooting</b> .....	23
Vacuumping Tips .....	9	<b>Requesting Assistance</b>	
Performance Features .....	10	<b>Or Service</b> .....	Back Page

## BEFORE USING YOUR NEW VACUUM CLEANER

Please read this guide. It will help you assemble and operate your new Kenmore vacuum cleaner in the safest and most effective way.

For more information about vacuum cleaner care and operation, call your nearest Sears store. You will need the complete model and serial numbers when requesting information. Your vacuum cleaner's model and serial numbers are located on the Model and Serial Number Plate.

Use the space below to record the model number and serial number of your new Kenmore vacuum cleaner.

Model No. \_\_\_\_\_

Serial No. \_\_\_\_\_

Date of Purchase \_\_\_\_\_

Keep this book and your sales check (receipt) in a safe place for future reference.

## KENMORE VACUUM CLEANER WARRANTY

### LIMITED ONE YEAR WARRANTY ON KENMORE VACUUM CLEANER

This warranty is for one year from the date of purchase, and includes only private household vacuum cleaner use. During the warranty year, when this vacuum cleaner is operated and maintained according to the owner's manual instructions, Sears will repair any defects in material or workmanship free of charge.

This warranty excludes vacuum bags, belts, light bulbs, and filters, which are expendable parts and become worn during normal use.

**For warranty service, return this vacuum cleaner to the nearest Sears Service Center in the United States.**

This warranty applies only while this product is in use in the United States. This warranty gives you specific legal rights, and you may also have other rights which vary from state to state.

**Sears, Roebuck and Co., D/817 WA, Hoffman Estates, IL 60179**

# IMPORTANT SAFETY INSTRUCTIONS

## WARNING

Your safety is important to us. To reduce the risk of fire, electrical shock, injury to persons or damage when using your vacuum cleaner, follow basic safety precautions including the following:

**Read** all instructions in this manual before assembling or using your vacuum cleaner.

**Use** your cleaner only as described in this manual. Use only with Sears recommended attachments.

**Disconnect** electrical supply before servicing or cleaning out the brush area. Failure to do so could result in the brush unexpectedly starting, causing personal injury from moving parts.

**Do not** leave cleaner when plugged in. Unplug from outlet when not in use and before servicing.

**To** reduce the risk of electrical shock - Do not use outdoors or on wet surfaces.

**Do not** allow to be used as a toy. Close attention is necessary when used by or near children.

**Do not** use with a damaged cord or plug. If cleaner is not working as it should, has been dropped, damaged, left outdoors, or dropped in water, return it to a Sears Service Center.

**Do not** pull or carry by cord, use cord as a handle, close a door on cord, or pull cord around sharp edges or corners. Do not run cleaner over cord. Keep cord away from heated surfaces.

**Do not** unplug by pulling on cord. To unplug, grasp the plug, not the cord.

**Do not** handle plug or cleaner with wet hands.

**Do not** put any objects into openings.

**Do not** use with any opening blocked; keep free of dust, lint, hair, and anything

that may reduce air flow.

**Keep** hair, loose clothing, fingers, and all parts of body away from openings and moving parts.

**Turn off** all controls before unplugging.

**Use** extra care when cleaning on stairs. Do not put on chairs, tables, etc. Keep on floor.

**Do not** use cleaner to pick up flammable or combustible liquids (gasoline, cleaning fluid, perfumes, etc.), or use in areas where they may be present. The fumes from these substances can create a fire hazard or explosion.

**Do not** pick up anything that is burning or smoking, such as cigarettes, matches, or hot ashes.

**Do not** use cleaner without dust bin and/or filters in place.

**Always** clean the dust bin after vacuuming carpet cleaners or freshener, powders, and fine dust. These products clog the filters, reduce airflow and can cause damage to the cleaner. Failure to clean the dust bin could cause permanent damage to the cleaner.

**Do not** use the cleaner to pick up sharp hard objects, small toys, pins, paper clips, etc. They may damage the cleaner or dust bin.

Hold plug when rewinding onto cord reel.

**DO NOT** allow plug to whip when rewinding.

**Unplug** before connecting Handi-mate Jr. (if applicable).

**You** are responsible for making sure that your vacuum cleaner is not used by anyone unable to operate it properly.

ENGLISH

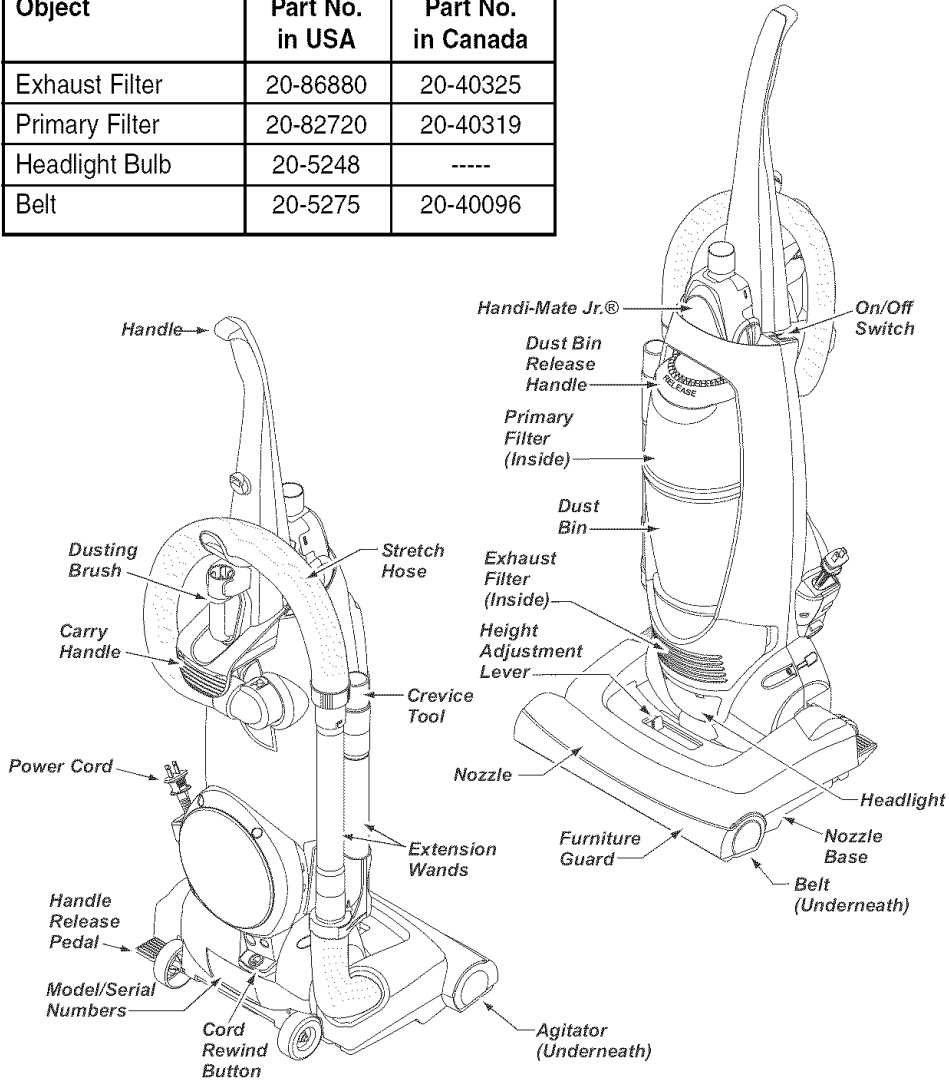
## SAVE THESE INSTRUCTIONS

Proper assembly and safe use of your vacuum cleaner are your responsibilities. Your cleaner is intended for **Household use**. Read this Owner's Manual carefully for important use and safety information. This guide contains safety statements under warning and caution symbols.

## PARTS AND FEATURES

It is important to know your vacuum cleaner's parts and features to assure its proper and safe use. Review these before using your cleaner.

Object	Part No. in USA	Part No. in Canada
Exhaust Filter	20-86880	20-40325
Primary Filter	20-82720	20-40319
Headlight Bulb	20-5248	-----
Belt	20-5275	20-40096





Please pay special attention to these hazard alert boxes, and follow any instructions given. **WARNING** statements alert you to such dangers as fire, electric shock, burns and personal injury. **CAUTION** statements alert you to such dangers as personal injury and/or property damage.

## ASSEMBLY INSTRUCTIONS

### **! WARNING**

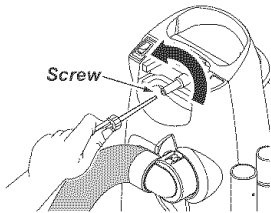
#### **Electrical Shock Hazard**

**Do not plug into the electrical supply until the assembly is complete. Failure to do so could result in electrical shock or injury.**

Before assembling vacuum cleaner, check the **PACKING LIST** on the cover of the separate Repair Parts List. Use this list to verify that you have received all the components of your new Kenmore vacuum.

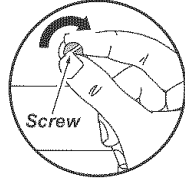
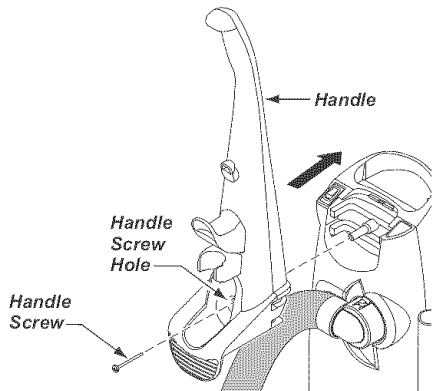
### HANDLE

Remove the screw located just below the top edge of the back of the vacuum cleaner.



Slide the handle into the opening at the top of the vacuum cleaner.

Insert the screw so it passes through the handle into the vacuum cleaner.



Begin to tighten the screw with your fingers. It may be necessary to adjust the handle slightly.

Using a screwdriver, tighten the screw.

### **! CAUTION**

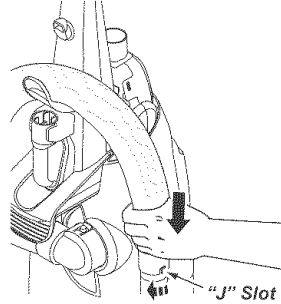
**Do not overtighten.**

**Overtightening could strip the screw holes.**

**Do not operate the vacuum cleaner without the screw in place.**

### HOSE

Loop the hose over handle and align "J" slots in hose with tabs on the extension wand. Push the hose onto the wand and twist to lock in place.

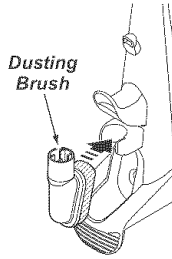


ENGLISH

# ATTACHMENTS

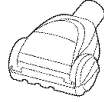
## DUSTING BRUSH

Place the dusting brush into the back of the handle in the storage location as shown.



## HANDI-MATE JR.®

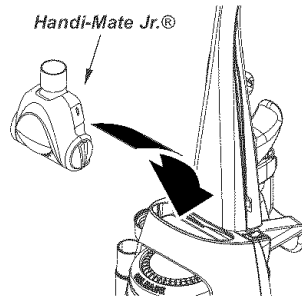
For operation of Handi-Mate Jr.® see separate owners manual.



## TO INSERT HANDI-MATE JR.®

Place Handi-Mate Jr.® into the storage compartment.

Push the Handi-Mate Jr.® down until it snaps into place.



## TO REMOVE HANDI-MATE JR.®

Pull Handi-Mate Jr.® out of the storage compartment.

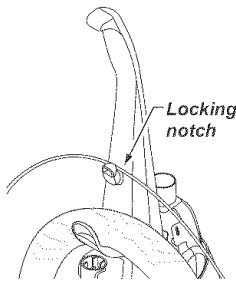
# OPERATING INSTRUCTIONS

## HOW TO START

Pull cord out of cord reel until the end is reached.

Push the power cord into the cord locking notch on the back of the handle.

Plug the polarized power cord into a 120 Volt outlet located near the floor.

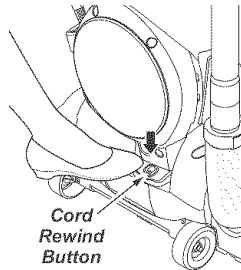


**Note:** To reduce the risk of electric shock, this vacuum cleaner has a polarized plug, one blade is wider than the other.

This plug will fit in a polarized outlet only one way. If the plug does not fit fully in the outlet, reverse the plug. If it still does not fit, contact a qualified electrician to install the proper outlet. Do not change the plug in any way.

## To Retract Cord:

Press cord rewind button down to rewind. To prevent injury or damage, hold the plug head while rewinding the power cord.



## WARNING

**Personal Injury and Product Damage Hazard**

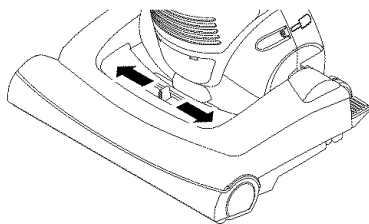
- **DO NOT** plug in if switch is in the **ON** position. Personal injury or damage could result.
- **DO NOT** use outlets above counters. Damage from cord to items in surrounding area could occur.

## PILE HEIGHT SELECTION AND SETTING

### To select a pile height setting:

Turn off vacuum cleaner. Select a pile height setting by tilting the cleaner back until front wheels are lifted slightly off the floor as illustrated.

Slide the adjustment lever to the correct setting.



### SUGGESTED PILE HEIGHT SETTINGS

You may need to raise the height to make some jobs easier, such as scatter rugs and longer pile carpets. Suggested settings are:

**HIGH:** shag carpet, long pile, plush, scatter rugs.

**MED:** medium to long pile.

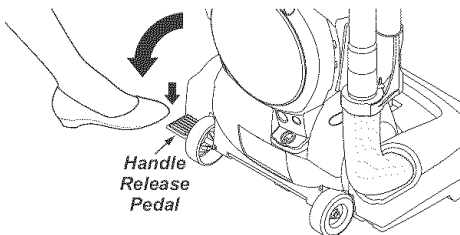
**LOW:** short to medium pile.

**BARE FLOOR:** very low pile.

ENGLISH

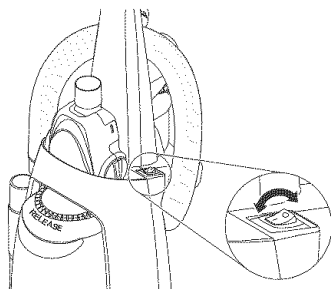
## RELEASING THE HANDLE

Release the handle by pressing down on the handle release pedal with your foot and pulling back and down on the handle with your hand.

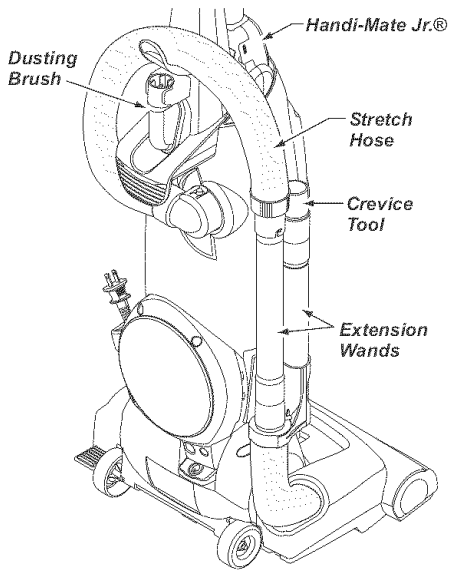


## ON/OFF SWITCH

To start the vacuum cleaner, push the On/Off switch from the OFF position to the ON position. To stop the vacuum cleaner, push the On/Off switch to the OFF position.



## ATTACHMENTS



Identify each of the attachments shown above.

### TO USE ATTACHMENTS

Remove the lower end of the stretch hose from the cleaner by grasping the hose collar, twisting and pulling straight out. The attachments can now be added to the hose.

**Note:** The motor protector may open when using attachments or when cleaning new carpet, due to reduced airflow by the attachments themselves or by new carpet fuzz filling the dust bin quickly. See the **TROUBLESHOOTING** section.

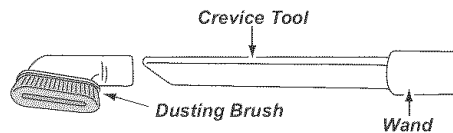
The attachments will fit on the hose or the wand. In addition, the dusting brush will also fit on the crevice tool.

The hose can be pulled off the wand by grasping the cuff and twisting while pulling up.

The attachments can be added to the hose if the item to be cleaned is not far from the vacuum cleaner.

**NOTE:** When cleaner is turned on, the hose will have a tendency to collapse due to suction of the vacuum cleaner.

**If more reach is needed:**



An extra wand, without tabs, is included. This extra wand can be added to the wand with tabs for extra reach. Insert wand and twist a quarter of a turn to secure fit.

If the dusting brush/combination brush is being used and more reach is needed, the crevice tool can be added to the wand, then the dusting brush can be added to the crevice tool.

### TO STORE ATTACHMENTS

Return the hose to its position on the wand and the attachments to their holders.

#### CAUTION

When using attachments, be careful not to overextend the stretch hose when reaching. Trying to reach beyond the hose stretch capability could cause the vacuum cleaner to tip over.

#### CAUTION

Attachments used in dirty areas, such as under refrigerator, should not be used on other surfaces until they are washed. They could leave marks.




#### WARNING

**Electrical Shock And Personal Injury Hazard**

Disconnect electrical supply before servicing or cleaning the unit. Failure to do so could result in electrical shock or personal injury from cleaner suddenly starting.

## ATTACHMENT USE CHART

### CLEANING AREA

ATTACHMENT	Furniture*	Between Cushions*	Drapes*	Stairs	Walls
Dusting Brush 	✓		✓		✓
Crevice Tool 	✓	✓		✓	
Handi-Mate Jr.® 	✓			✓	

\*Always clean attachments before using on fabrics.

ENGLISH

### VACUUMING TIPS

#### **Carpet edges**

Guide either side or the front of the nozzle along a baseboard. The full width agitator brushes help remove dirt at carpet edges.

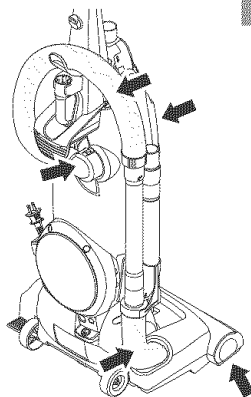
#### **Stairs**

Put handle in full upright position. Use the crevice tool or fabric brush. Set the On/Off switch to ON.

For best cleaning results, keep the airflow passage clear.

Occasionally, check each of the areas indicated for clogs.

Unplug the vacuum cleaner from the outlet before checking.



### **WARNING**

**Personal Injury Hazard**

**Use care if vacuum cleaner is placed on stairs. If it falls, personal injury or property damage could result.**

## PERFORMANCE FEATURES

### MOTOR PROTECTION SYSTEM

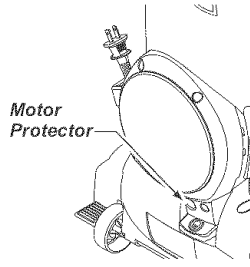
#### Thermal Protector

This vacuum cleaner has a thermal protector which automatically trips to protect the vacuum cleaner from overheating. If a clog prevents the normal flow of air to the motor, the thermal protector turns the motor off automatically to allow the motor to cool in order to prevent possible damage to the vacuum cleaner.

**To correct problem:** If this occurs, turn the vacuum cleaner off and unplug the power cord from the outlet to allow the vacuum cleaner to cool and the thermal protector to reset. **Check for and remove clogs, if necessary. Also check and clean/replace any clogged filters. Wait approximately thirty (30) minutes and plug the vacuum in and turn back on to see if the motor protector has reset. The motor protector will not reset if the vacuum cleaner is not turned off even if the vacuum cleaner has cooled down.**

#### Motor Protector

This vacuum cleaner has a motor protector by-pass valve which automatically opens to provide cooling air to the motor when a clog prevents the normal flow of air to the motor. If the by-pass valve opens to prevent motor overheating and possible damage to the vacuum cleaner, you will notice a change of sound as air rushes through the valve opening.



**Note:** Do not block motor protector.

**To correct problem:** See the **TROUBLE-SHOOTING** chart.

**Note:** The motor protector may open when using attachments or when cleaning new carpet, due to reduced airflow by the attachments themselves or by new carpet fuzz filling the dust bin quickly. See the **TROUBLESHOOTING** section.

## VACUUM CLEANER CARE

Always follow all safety precautions when cleaning and servicing the vacuum cleaner.



### WARNING

**Electrical Shock And Personal Injury Hazard**

Disconnect electrical supply before servicing or cleaning the unit. Failure to do so could result in electrical shock or personal injury from cleaner suddenly starting.

## CLEANING EXTERIOR AND ATTACHMENTS

Unplug cord from wall outlet.

Clean exterior using a clean, soft cloth that has been dipped in a solution of mild liquid detergent and water, then wrung dry. Wipe dry after cleaning. **DO NOT** drip water on vacuum cleaner.

Wash attachments in warm soapy water, rinse and air dry. **Do not clean in dishwasher.**



### CAUTION

**Do not use attachments if they are wet. Attachments used in dirty areas, such as under a refrigerator, should not be used on other surfaces until they are washed. They could leave marks.**

ENGLISH

# DUST BIN CLEANING

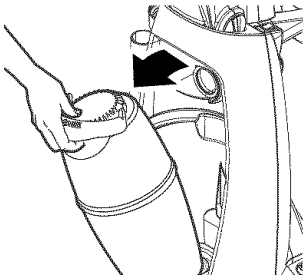
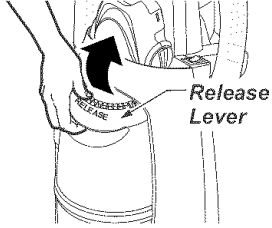
## CAUTION

Electrical Shock And Personal Injury Hazard

Always unplug power cord from electrical outlet before performing any service on vacuum.

### TO REMOVE DUST BIN

Remove dust bin assembly from vacuum cleaner by lifting the release lever as shown.

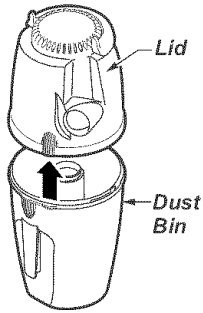
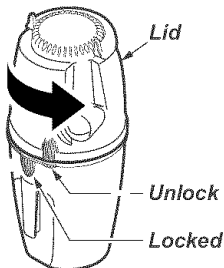


Remove dust bin from vacuum cleaner by tilting out as shown.

### TO EMPTY DUST BIN

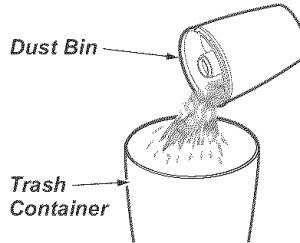
Hold dust bin over a trash container.

Rotate lid counter-clockwise from the locked position to the unlocked position as shown.

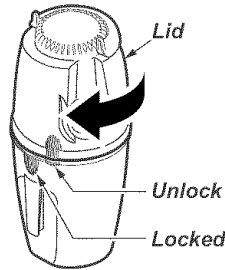


Separate the lid from the dust bin by lifting it straight off.

Empty contents into a trash container.



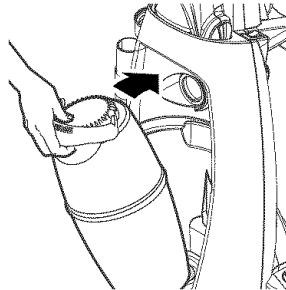
### TO REPLACE DUST BIN LID



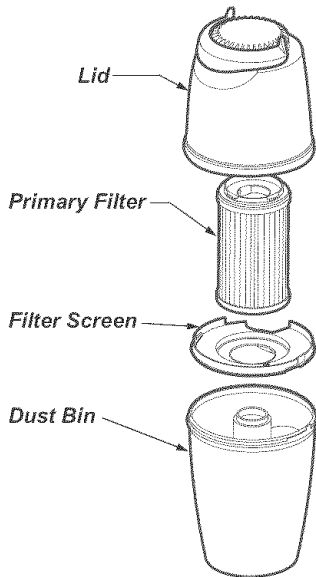
Place dust bin lid assembly back onto top of dust bin. Align marks with bin marks as shown. Rotate lid clockwise while pressing downward so that marks align as shown.

### TO REPLACE DUST BIN

First align base of dust bin with the vacuum cleaner. Then rotate dust bin in place making sure dust bin is securely latched.



## DUST BIN ASSEMBLY



### Lid

The Lid houses the filter.

### Primary Filter

Filter traps dirt and debris that is picked up by the suction motor.

### Filter Screen

The filter screen traps larger particles of dirt and debris from reaching the filter.

### Dust Bin

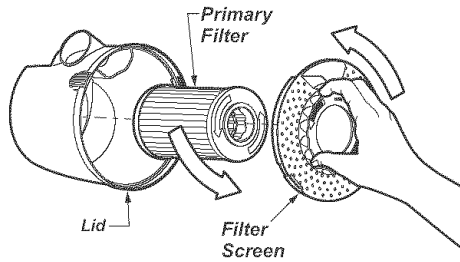
Captures dirt and debris picked up from the suction motor.

ENGLISH

## DUST BIN FILTER CHANGING / CLEANING

Check primary filter frequently and clean when dirty. Remove the dust bin assembly as outlined in the **DUST BIN CLEANING** section and empty contents of dust bin.

Make sure dust bin is empty before filter is removed. Grasp filter screen, rotate counter-clockwise and lift out.



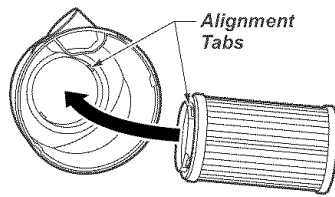
Grasp primary filter, rotate counter-clockwise and lift out. Clean primary filter by gently tapping over a trash container.

The filter may be cleaned by tapping it on a firm surface. Tap on several sides to ensure best cleaning.

After every 5th cleaning cycle, rinse filter exterior with water under a faucet. Once the filter is rinsed clean, damp dry with a cloth and let air dry for 24 hours.

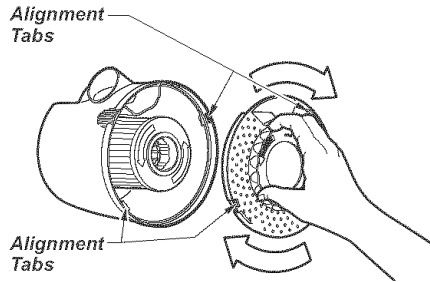
Rinse with water only, do not use detergent or soap. **Allow filter to dry 24 hours before putting it back into the dust bin.** When the cleaning of the filter no longer restores vacuum suction to full power you need to replace the filter.

Before replacing the primary filter it is a good idea to clean the inside of the dust bin and lid area.



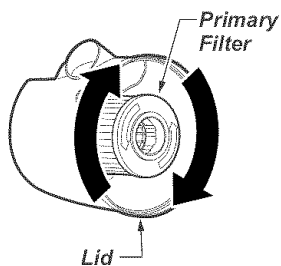
Rotate filter clockwise until slots lock onto tabs in lid.

To re-install the filter screen, align tabs on filter screen with tabs on lid.



Rotate filter screen clockwise to lock in place.

## FILTER REPLACEMENT



Before replacing the filter it is a good idea to clean the inside of the dust bin and lid area.

Rotate filter clockwise until slots lock onto tabs in lid.

**NOTE:** Under normal use and care, your filter can be expected to last up to 3 years.

**NOTE:** See Parts and Features for Filter number.

## SECONDARY FILTER CLEANING

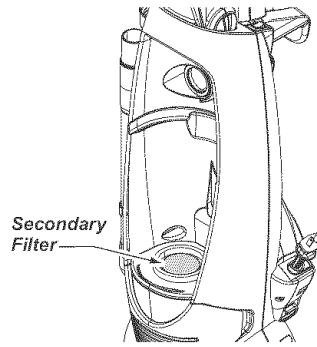
Check secondary filter frequently and clean when dirty.

Remove the dust bin as outlined in the **DUST BIN CLEANING** section.

To clean filter screen wipe screen with a dry cloth.

**NOTE:** Filter screen is not removable.

Replace the dust bin as outlined in the **DUST BIN CLEANING** section.



ENGLISH

## FILTER CHANGING/CLEANING

### **WARNING**

#### **Electrical Shock Hazard**

**Unplug power cord from electrical outlet. Do not operate the vacuum cleaner without the primary or exhaust filters. Be sure the filters are properly installed to prevent motor failure and/or electrical shock.**

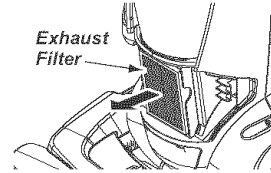
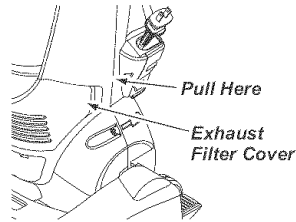
### **EXHAUST FILTER**

The exhaust filter must be replaced when dirty. It should be replaced regularly depending on use conditions.

**The filter CANNOT be washed as it will lose its dust trapping ability.**

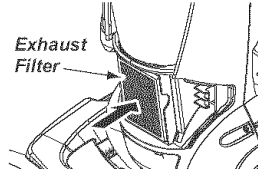
**NOTE:** See **PARTS AND FEATURES** for the exhaust filter number.

Pull out on both sides of the exhaust filter cover, and pull out to remove from vacuum cleaner.



Remove the exhaust filter cartridge.

Push only on filter cartridge frame, not on filter material itself.



Replace the exhaust filter cover by placing tabs in slots and pushing in until cover snaps into place.

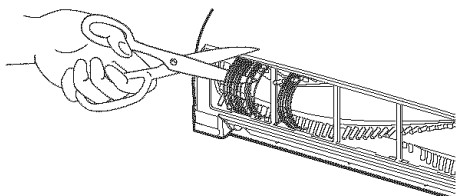
## BELT CHANGING AND AGITATOR CLEANING

### WARNING

**Electrical Shock Or Personal Injury Hazard**

**Disconnect electrical supply before servicing or cleaning the unit. Failure to do so could result in electrical shock or personal injury from vacuum cleaner suddenly starting.**

### CLEANING AGITATOR



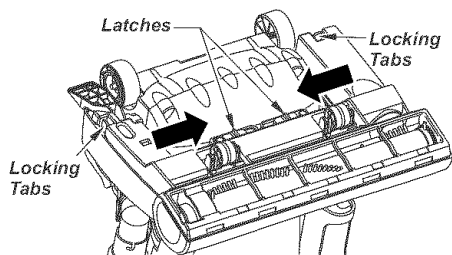
To clean agitator turn vacuum cleaner over, cut off any carpet pile and lint entangled around agitator with a pair of scissors as shown.

Frequently check and remove hair, string and lint build-up in the brush area. If build-up becomes excessive, follow the steps below.

### TO REMOVE BELT

Disconnect power cord from electrical outlet, and place on paper to protect the floor surface. Place vacuum cleaner in the full upright position.

Turn the unit over so the agitator and base plate are facing upward.



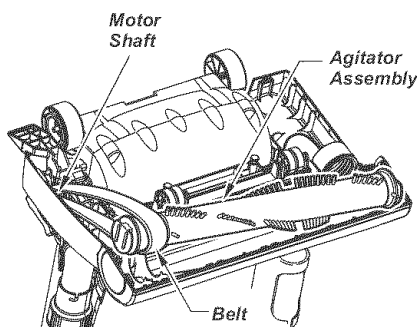
Locate the two latches and the two locking tabs which secure the base plate.

To remove the base plate, press the two latches inward.

Push in on the locking tabs toward the center of the vacuum cleaner.

Rotate the base plate away from the nozzle housing. The sides of the base plate need to be pulled slightly outward to clear the wheels.

The agitator and belt are now exposed. Carefully remove any residue that may exist in the belt area.



If the belt is still attached to the motor shaft, there will be tension on the agitator. If the belt is not broken, remove it from the motor shaft before lifting the agitator.

Carefully lift the one end of the agitator and then lift the other end.

### WARNING

**Personal Injury Hazard**

**Be careful when removing the agitator as the belt tension is high. Failure to do so could result in personal injury from the agitator releasing quickly and snapping away.**

ENGLISH

## TO CLEAN AGITATOR

**NOTE:** In order to keep cleaning efficiency high and to prevent damage to your vacuum cleaner, the agitator must be cleaned every time the belt is changed.

The agitator must also be cleaned according to the following schedule:

<u>Vacuum Use</u>	<u>Clean Agitator</u>
<b>HEAVY</b> - (used daily)	every week
<b>MODERATE</b> - (used 2-3 times/week)	every month
<b>LIGHT</b> - (used 1 time/week)	every 2 months

Remove any dirt or debris in the belt path area or in the agitator area.

### Agitator Assembly



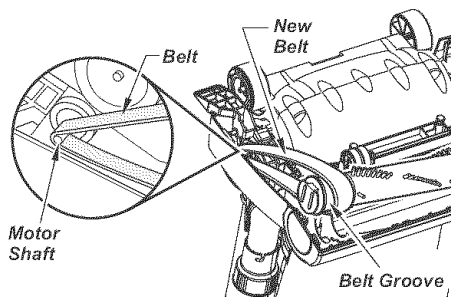
## TO REPLACE BELT

**NOTE:** See **PARTS AND FEATURES** for belt number.

Loop the new belt on the **motor shaft**.

Loop the end of the new belt on the agitator.

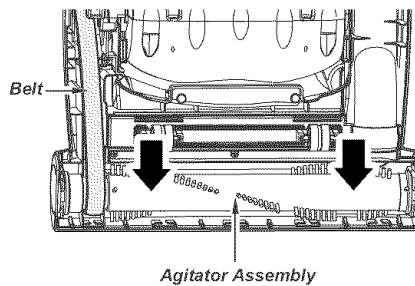
Insert the agitator by placing the rounded portion of the end cap down into the slot in the nozzle base.



**NOTE:** Care must be taken due to the belt tension during reassembly.

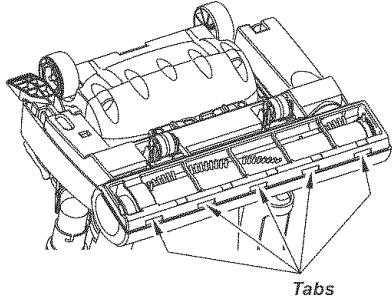
## BELT ROUTING

Press firmly, checking to see that each end is completely inserted.

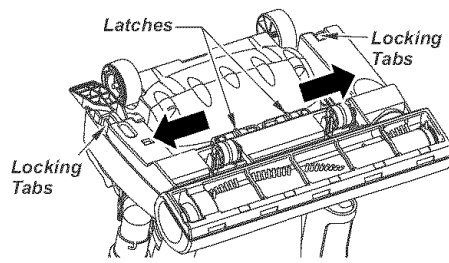


Check to see that the belt is centered in the belt groove. Turn the agitator with your fingers to see that it turns freely.

To re-attach the base plate, insert the tabs into the slots along the front edge of the base. Place the vacuum cleaner in full upright position. Lower the base plate to its original position.



As the base is lowered the inner areas will brush against the dust compartment wheels.



A gentle pull outward may assist in reassembly.

Press the base plate down until the two locking tabs snap into place.

Slide the right latch to the right and the left latch to the left to secure.

Return the vacuum cleaner to the upright position before plugging into the electrical outlet.

ENGLISH

## CLOG REMOVAL

Always follow all safety precautions when cleaning and servicing the vacuum cleaner.

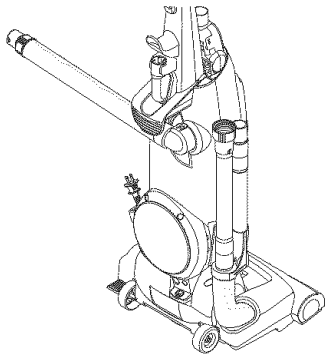
### **WARNING**

#### **Electrical Shock Or Personal Injury Hazard**

**Disconnect electrical supply before servicing or cleaning the unit. Failure to do so could result in electrical shock or personal injury from cleaner suddenly starting.**

If the cleaner does not seem to have adequate suction, first check if the dust bin is full or if a filter is clogged. See **DUST BIN CLEANING** and **FILTER CHANGING**.

If the dust bin and filter areas are free of clogs, check the hose area. Remove the lower end of the stretch hose from the cleaner by grasping the hose collar, twisting, and pulling straight out.



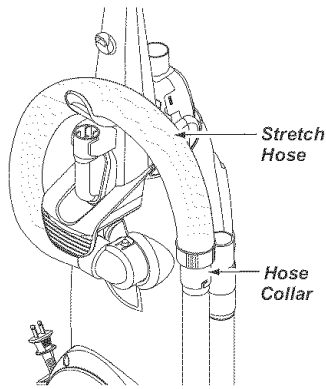
Plug in the vacuum cleaner and turn it on. Stretch the hose to maximum length and then allow the hose to return to its storage length.

Turn the unit off and unplug the unit.

Visually inspect the hose and the base area into which the hose is inserted.

Remove any visible clog.

Reassemble the stretch hose to the extension wand.



If the dust bin and filter areas and the hose areas are free of clogs, check the nozzle area. To check this area, see the section on **BELT CHANGING AND AGITATOR CLEANING**.

### **WARNING**

#### **Personal Injury Hazard**

**DO NOT place hands or feet underneath the unit at any time. The agitator will be revolving rapidly when the vacuum is turned on and is in the carpet setting.**

Return the cleaner to the upright position before plugging into an electrical outlet.

## LIGHT BULB CHANGING

### **WARNING**

Electrical Shock Or Personal Injury Hazard

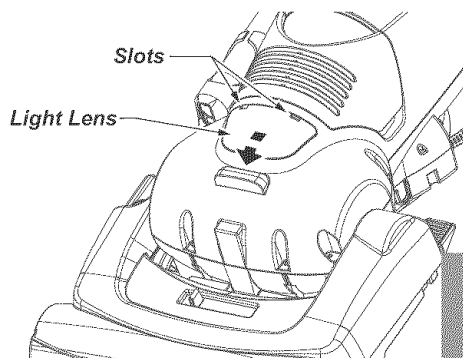
Disconnect electrical supply before servicing or cleaning the unit. Failure to do so could result in electrical shock or personal injury from vacuum cleaner suddenly starting.

### **CAUTION**

Do not use a bulb rated over 13 V AC-9W. During extended use, heat from the bulb could overheat surrounding plastic parts.

### **CAUTION**

Do not plug in or turn on until the vacuum cleaner is completely reassembled.



ENGLISH

Ensure **ON-OFF** switch is **OFF**.

Disconnect power cord from electrical outlet. Press handle release pedal and rotate the handle down so the vacuum cleaner is laying flat on the floor.

Pry out light lens at slots. Remove old bulb from the socket by pulling from socket.

Replace bulb by pressing into socket. Only use a bulb rated 13 V AC-9 Watts.

Reinstall light lens by snapping into place. Return the vacuum cleaner to the upright position.

## AGITATOR SERVICING

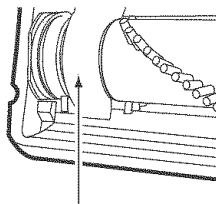


### WARNING

**Electrical Shock Or Personal Injury Hazard**

Disconnect electrical supply before servicing or cleaning the unit. Failure to do so could result in electrical shock or personal injury from vacuum cleaner suddenly starting.

### TO CHECK AGITATOR



Base Plate Belt Guard

Turn the vacuum cleaner over to check for worn brushes. When brushes are worn to the level of the base belt guard, replace the agitator.

### TO REPLACE AGITATOR

Remove the nozzle cover, agitator cover, and agitator assembly. See **BELT CHANGING AND AGITATOR CLEANING**.

Replace the agitator assembly with a new one.

Reassemble the belt, agitator, agitator cover and nozzle cover. See "To replace belt" in **BELT CHANGING AND AGITATOR CLEANING** section.

## TROUBLESHOOTING

Review this chart to find do-it-yourself solutions for minor performance problems. Any service needed, other than those described in this owner's manual, should be performed by a Sears authorized service representative.



### WARNING

#### Electrical Shock Or Personal Injury Hazard

**Disconnect electrical supply before servicing or cleaning the unit. Failure to do so could result in electrical shock or personal injury.**

PROBLEM	POSSIBLE CAUSE	POSSIBLE SOLUTION
Vacuum cleaner won't run.	<ol style="list-style-type: none"> <li>1. Unplugged at wall outlet.</li> <li>2. Tripped circuit breaker/blown fuse at household service panel.</li> <li>3. On/off switch not turned on.</li> <li>4. Thermal protector tripped.</li> </ol>	<ol style="list-style-type: none"> <li>1. Plug in firmly, push on/off switch to on.</li> <li>2. Reset circuit breaker or replace fuse.</li> <li>3. Push on/off switch to on.</li> <li>4. Reset thermal protector.</li> </ol>
Poor job of dirt pick-up.	<ol style="list-style-type: none"> <li>1. Full or clogged dust bin.</li> <li>2. Wrong pile height setting.</li> <li>3. Worn agitator.</li> <li>4. Clogged nozzle or dust bin port.</li> <li>5. Clogged hose.</li> <li>6. Hole in hose.</li> <li>7. Broken/misplaced belt.</li> <li>8. Hose not inserted fully.</li> <li>9. Motor protection system activated.</li> <li>10. Dirty filters.</li> </ol>	<ol style="list-style-type: none"> <li>1. Clean dust bin.</li> <li>2. Adjust setting.</li> <li>3. Replace agitator.</li> <li>4. Check <b>CLOG REMOVAL</b>.</li> <li>5. Check for clogs.</li> <li>6. Replace hose.</li> <li>7. Replace/fix belt.</li> <li>8. Insert hose fully.</li> <li>9. Check for clogs.</li> <li>10. Clean/change filters.</li> </ol>
Vacuum cleaner picks up moveable rugs or pushes too hard.	<ol style="list-style-type: none"> <li>1. Wrong pile height setting.</li> </ol>	<ol style="list-style-type: none"> <li>1. Adjust setting.</li> </ol>
Light won't work.	<ol style="list-style-type: none"> <li>1. Burned out light bulb.</li> </ol>	<ol style="list-style-type: none"> <li>1. Change light bulb.</li> </ol>
Agitator does not turn.	<ol style="list-style-type: none"> <li>1. Broken belt.</li> <li>2. Belt installed incorrectly.</li> </ol>	<ol style="list-style-type: none"> <li>1. Replace belt.</li> <li>2. Check <b>BELT CHANGING AND AGITATOR CLEANING</b>.</li> </ol>
Air flow restricted with attachment use. Sound changes.	<ol style="list-style-type: none"> <li>1. Attachment use restricts air flow.</li> <li>2. New carpet fuzz clogged air path.</li> </ol>	<ol style="list-style-type: none"> <li>1. Check <b>ATTACHMENTS</b>.</li> <li>2. Check <b>CLOG REMOVAL</b> and clean hose.</li> </ol>

ENGLISH

# Get it fixed, at your home or ours!

## Your Home

For repair - **in your home** - of **all** major brand appliances, lawn and garden equipment, or heating and cooling systems, **no matter who made it, no matter who sold it!**

For the replacement parts, accessories and owner's manuals that you need to do-it-yourself.

For Sears professional installation of home appliances and items like garage door openers and water heaters.

**1-800-4-MY-HOME<sup>®</sup>** Anytime, day or night  
(1-800-469-4663) (U.S.A. and Canada)

[www.sears.com](http://www.sears.com)

[www.sears.ca](http://www.sears.ca)

---

## Our Home

For repair of carry-in products like vacuums, lawn equipment, and electronics, call or go on-line for the nearest

**Sears Parts and Repair Center.**

**1-800-488-1222** Anytime, day or night (U.S.A. only)

[www.sears.com](http://www.sears.com)

---

To purchase a protection agreement (U.S.A.) or maintenance agreement (Canada) on a product serviced by Sears:

**1-800-827-6655** (U.S.A. )

**1-800-361-6665** (Canada )

Para pedir servicio de reparación a domicilio, y para ordenar piezas:

**1-888-SU-HOGAR<sup>SM</sup>**  
(1-888-784-6427)

Au Canada pour service en français:

**1-800-LE-FOYER<sup>MC</sup>**  
(1-800-533-6937)  
[www.sears.ca](http://www.sears.ca)



© Sears, Roebuck and Co.

® Registered Trademark / <sup>TM</sup> Trademark / <sup>SM</sup> Service Mark of Sears, Roebuck and Co.

® Marca Registrada / <sup>TM</sup> Marca de Fábrica / <sup>SM</sup> Marca de Servicio de Sears, Roebuck and Co.

<sup>MC</sup> Marque de commerce / <sup>MD</sup> Marque déposée de Sears, Roebuck and Co.